



US00D655758S

(12) **United States Design Patent**
Sunabe et al.

(10) **Patent No.:** **US D655,758 S**

(45) **Date of Patent:** **** Mar. 13, 2012**

(54) **COMFORT GRIP**

(75) Inventors: **Geona Sunabe**, El Monte, CA (US);
Austin Jones, Los Angeles, CA (US);
Oliver Tesoro, San Pedro, CA (US);
Jacqueline Chou, Torrance, CA (US);
Salvador Parra, Whittier, CA (US)

(73) Assignee: **Dreamgear, LLC**, Torrance, CA (US)

(**) Term: **14 Years**

(21) Appl. No.: **29/389,938**

(22) Filed: **Apr. 18, 2011**

(51) **LOC (9) Cl.** **21-01**

(52) **U.S. Cl.** **D21/333; D21/330**

(58) **Field of Classification Search** D21/324,
D21/329, 330, 333; D14/496, 125; 273/148 B;
463/1, 2, 29-36, 45, 47; 345/156, 173, 867,
345/903; 361/679, 681, 672, 500

See application file for complete search history.

(56) **References Cited**

U.S. PATENT DOCUMENTS

4,542,903	A *	9/1985	Yokoi et al.	463/31
D333,493	S *	2/1993	Sato	D21/330
D415,212	S *	10/1999	Hornsby et al.	D21/330
5,988,902	A *	11/1999	Holehan	400/479.1
6,383,079	B1 *	5/2002	Takeda et al.	463/43
6,400,351	B1 *	6/2002	Ishizawa et al.	345/156
6,771,494	B2 *	8/2004	Shimano	361/679.06
D515,633	S *	2/2006	Avery	D21/330
7,181,256	B2 *	2/2007	Hyun et al.	455/575.3
D555,667	S *	11/2007	Hussaini et al.	D14/496
D559,327	S *	1/2008	Luk et al.	D21/332
D607,946	S *	1/2010	Ehara et al.	D21/330
D638,066	S *	5/2011	Myers et al.	D21/330

* cited by examiner

(74) *Attorney, Agent, or Firm* — Christie, Parker & Hale, LLP

(57) **CLAIM**

The ornamental design for comfort grip, as shown and described.

DESCRIPTION

FIG. 1 is a top front right perspective view of the comfort grip of the invention in its opened position engaged with an electronic device.

FIG. 2 is a top view of the comfort grip of FIG. 1.

FIG. 3 is a top view of the comfort grip of FIG. 1, without an electronic device.

FIG. 4 is a bottom view of the comfort grip of FIG. 1, without an electronic device.

FIG. 5 is a right view of the comfort grip of FIG. 1.

FIG. 6 is a left view of the comfort grip of FIG. 1.

FIG. 7 is a front view of the comfort grip of FIG. 1.

FIG. 8 is a rear view of the comfort grip of FIG. 1.

FIG. 9 is a front view perspective view of the comfort grip of FIG. 1 engaged with an electronic device, but in its closed position.

FIG. 10 is a top view of the comfort grip of FIG. 9.

FIG. 11 is a bottom view of the comfort grip of FIG. 9.

FIG. 12 is a right side view of the comfort grip of FIG. 9.

FIG. 13 is a left side view of the comfort grip of FIG. 9.

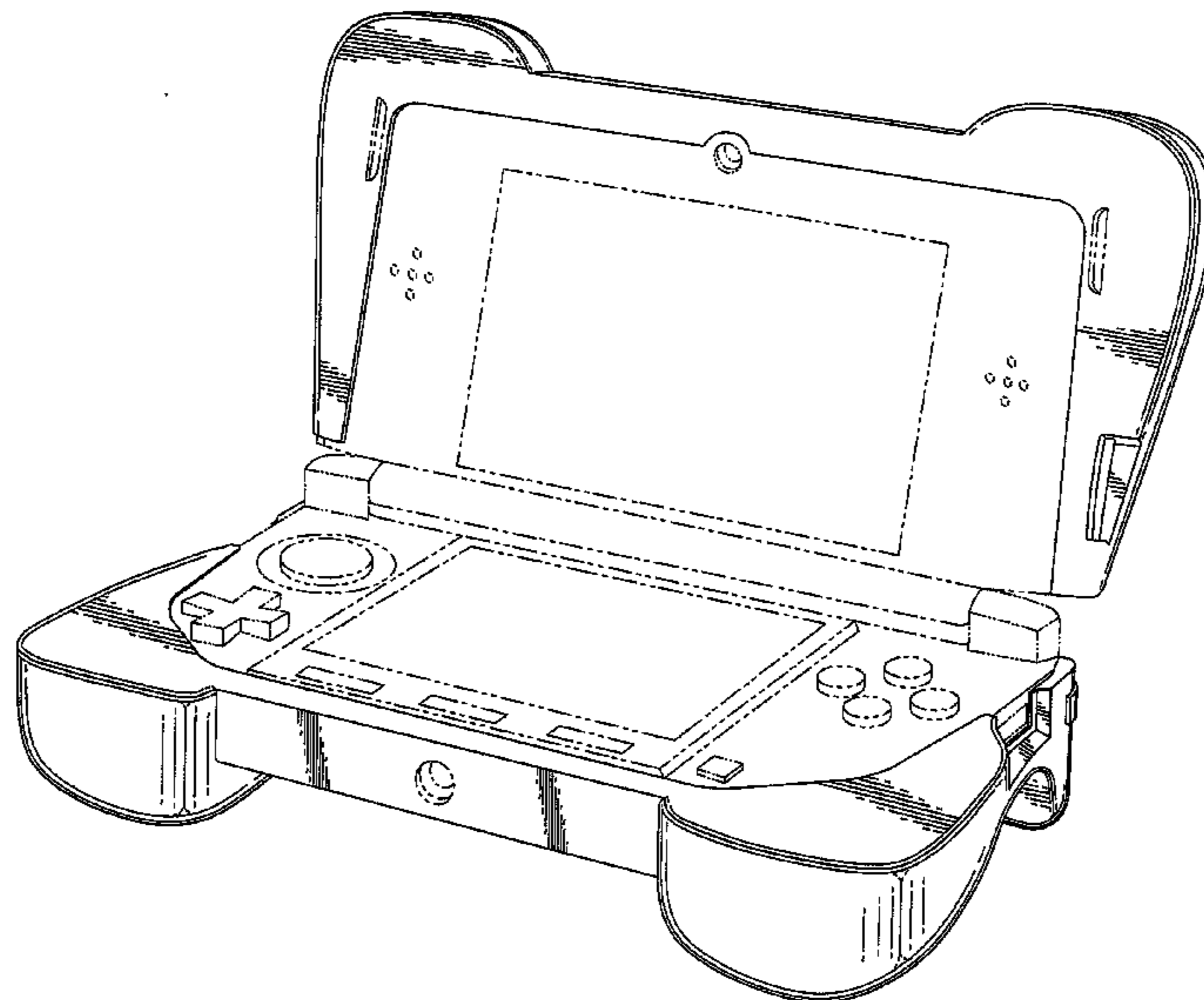
FIG. 14 is a front view of the comfort grip of FIG. 9; and,

FIG. 15 is a rear view of the comfort grip of FIG. 9.

The broken lines shown in the drawings disclosure are for illustrative purposes only and form no part of the claimed design.

Primary Examiner — Prabhakar Deshmukh

1 Claim, 13 Drawing Sheets



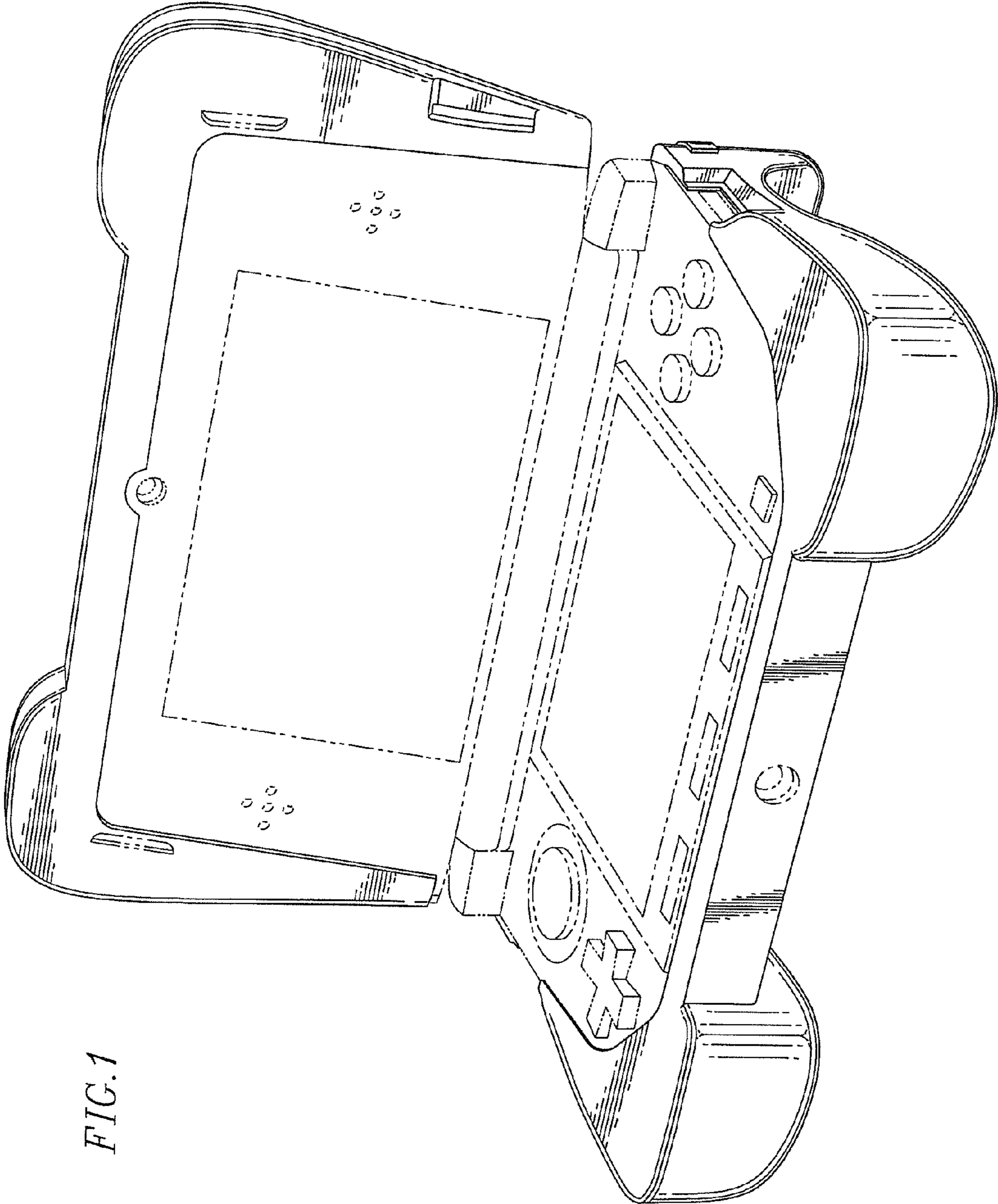


FIG. 1

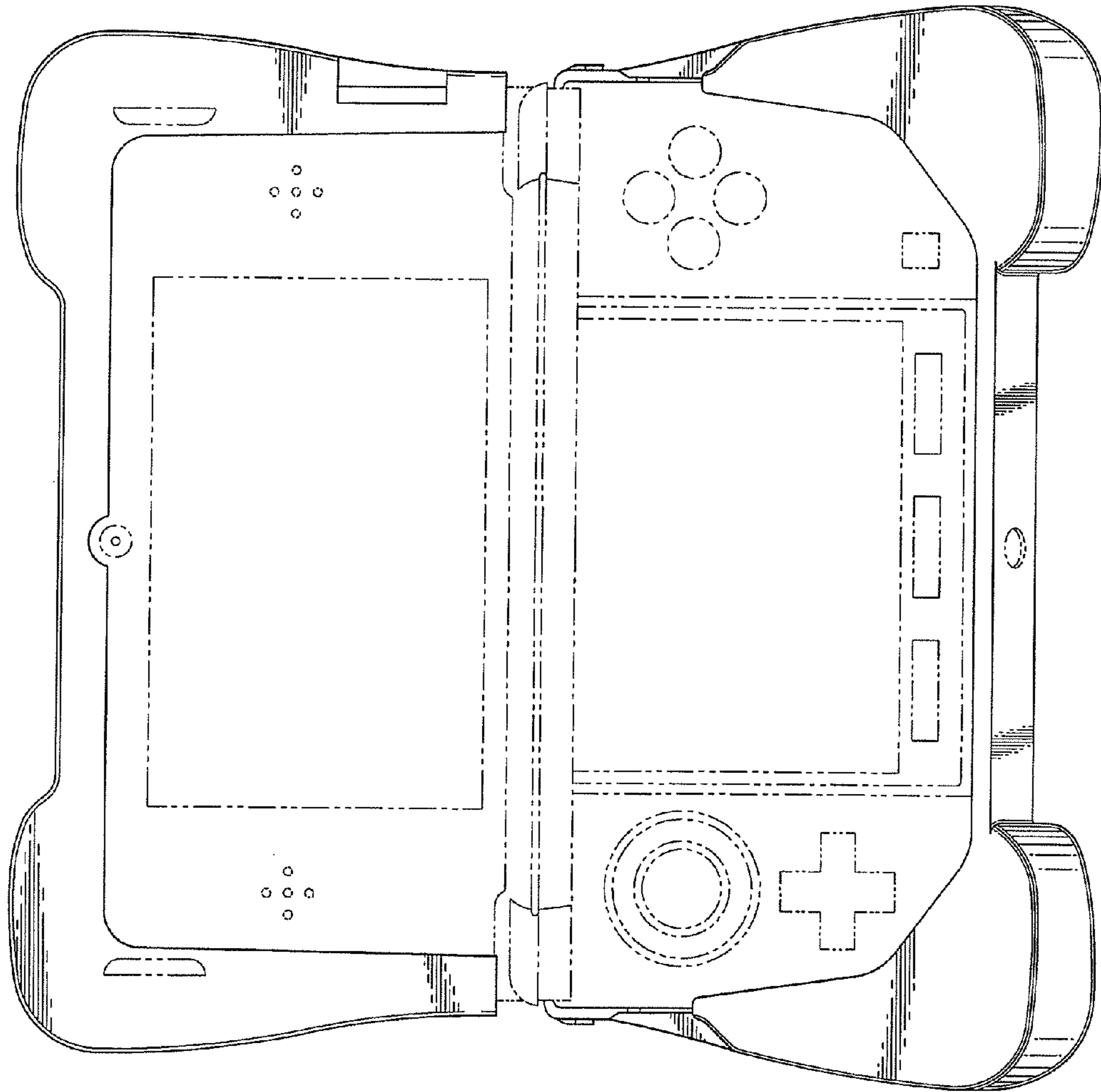


FIG. 2

FIG. 3

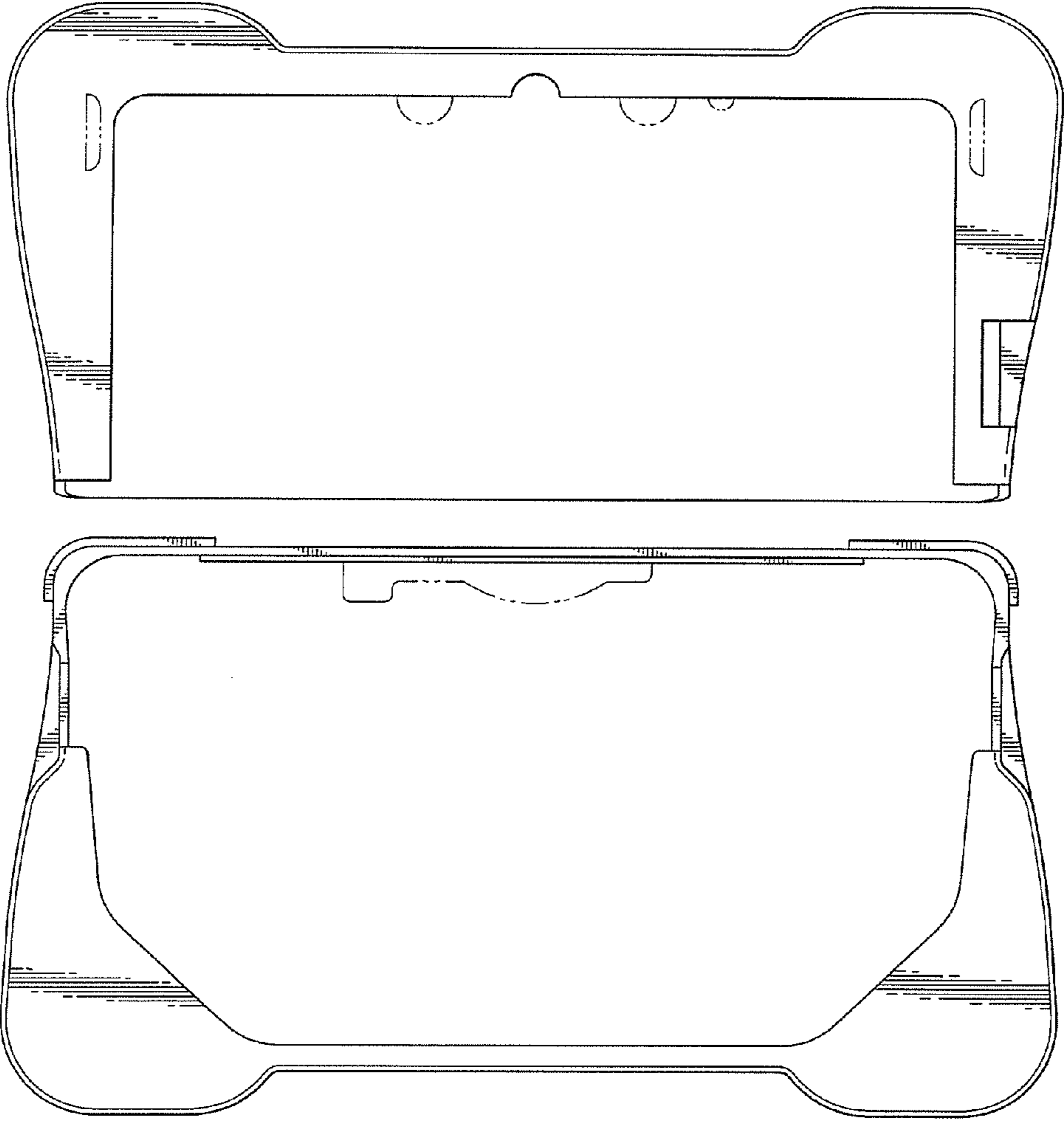


FIG. 4

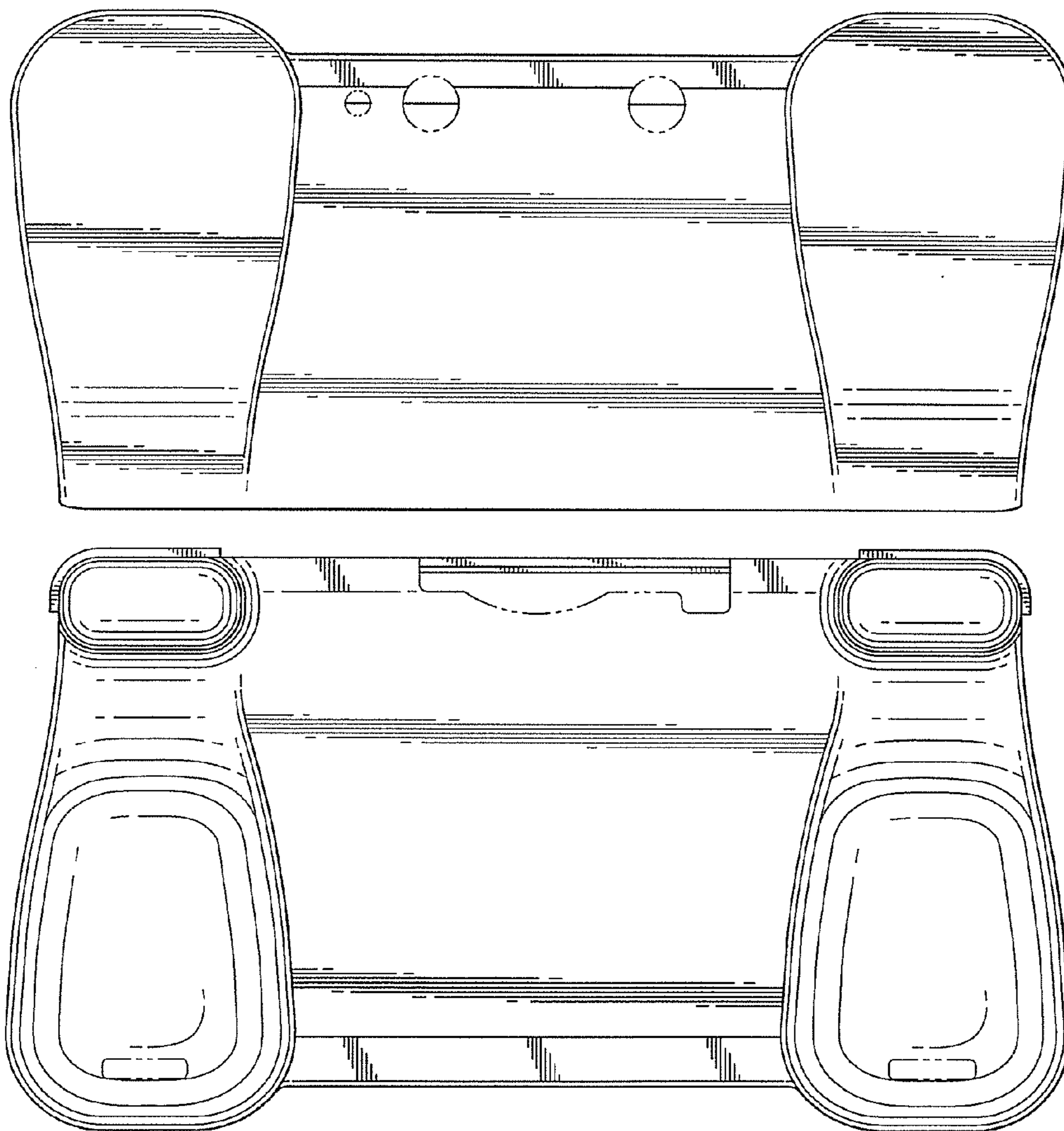


FIG. 5

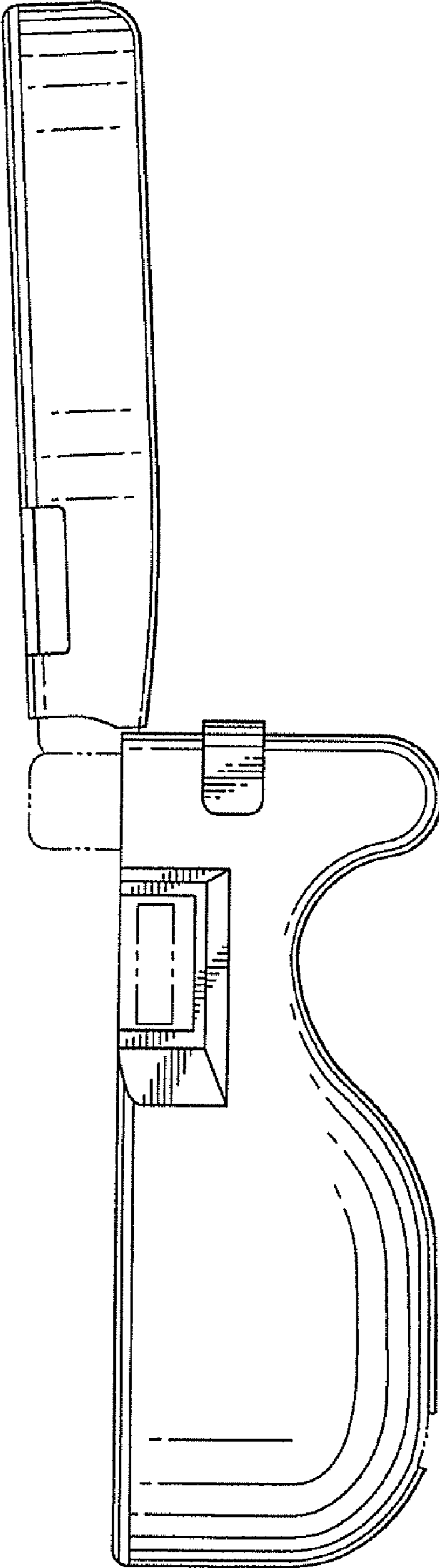


FIG. 6

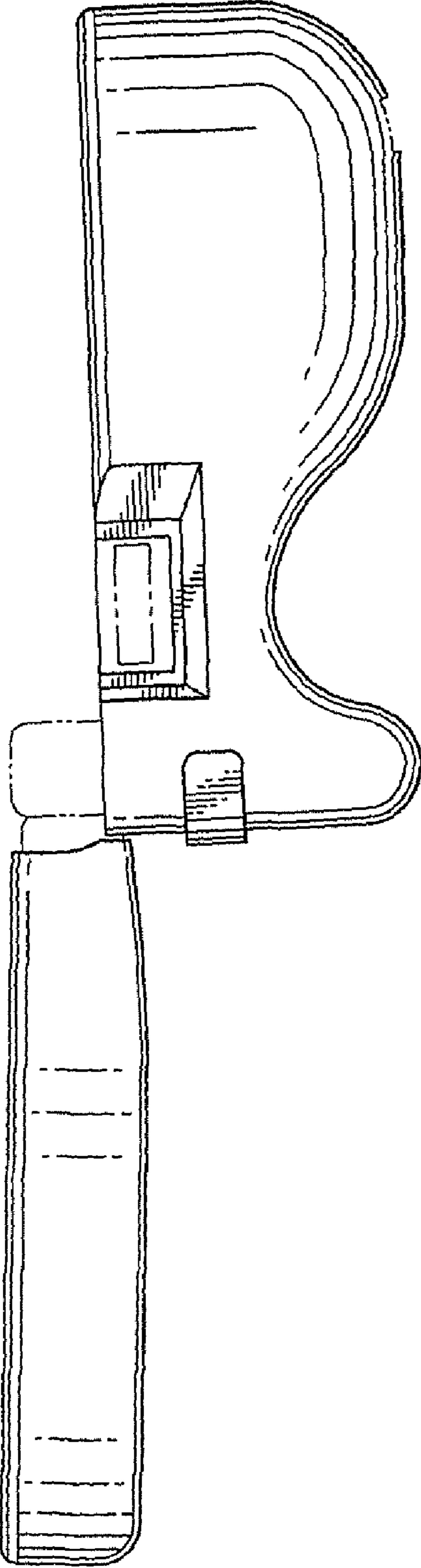


FIG. 7

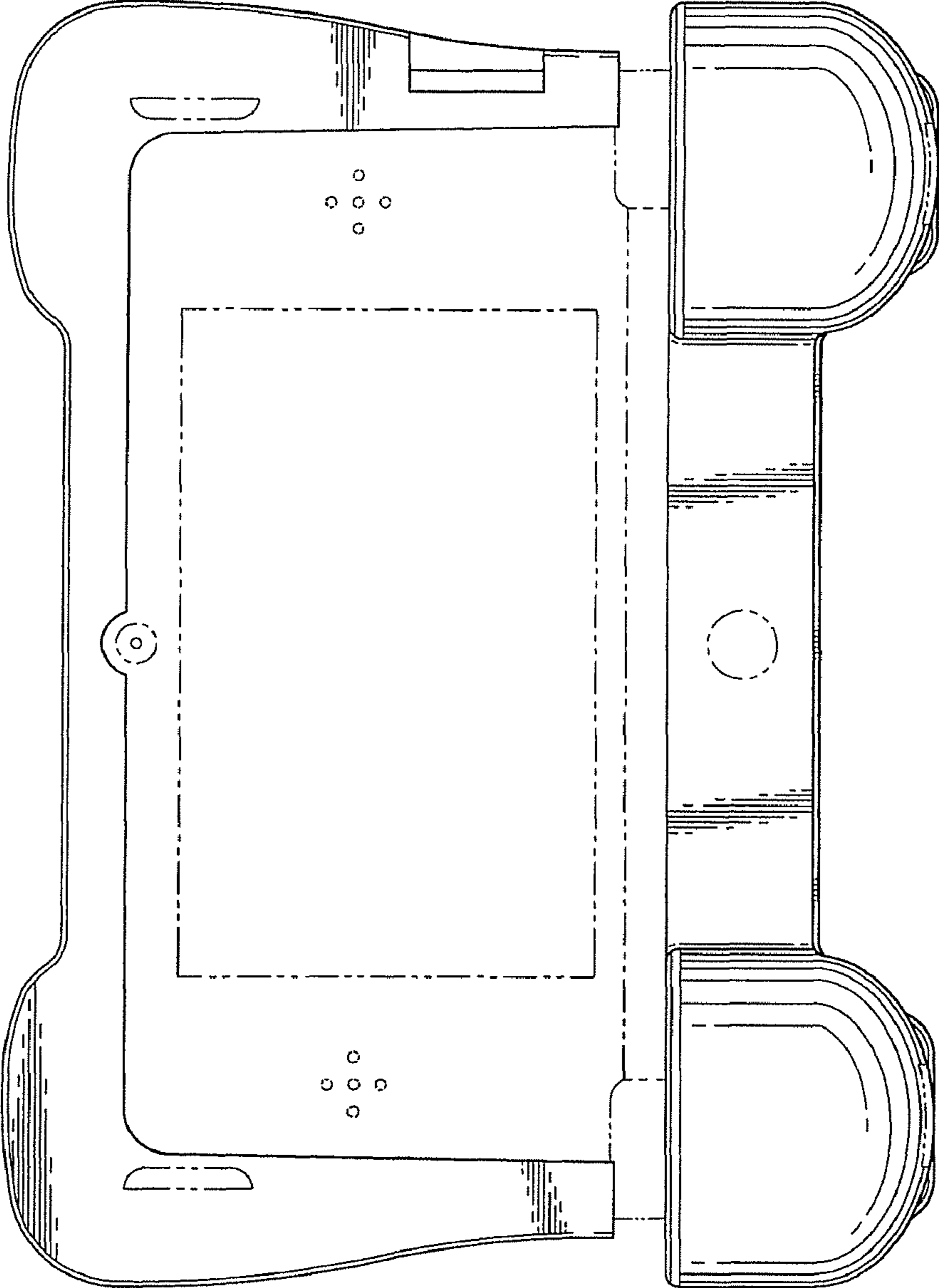


FIG. 8

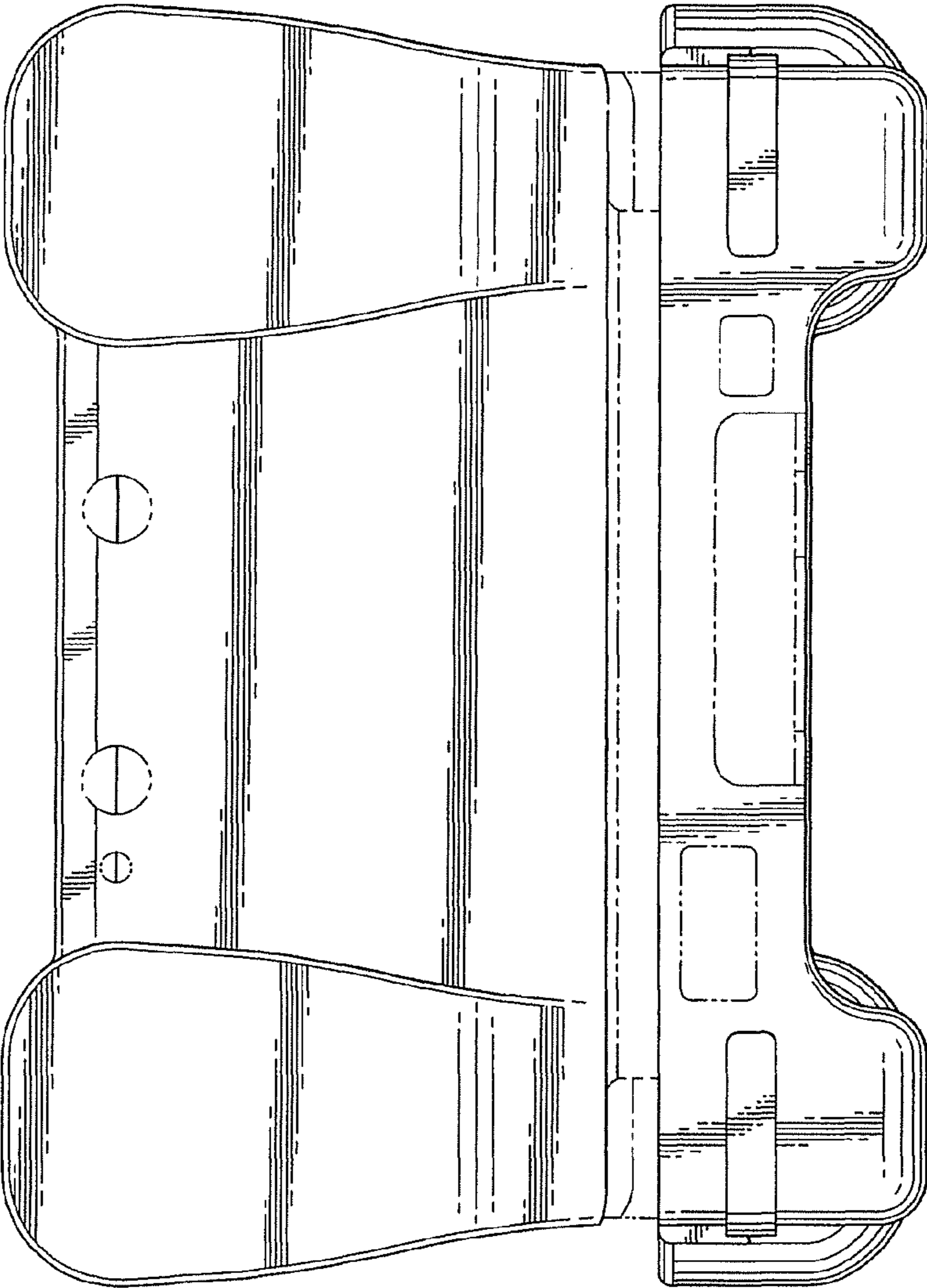


FIG. 9

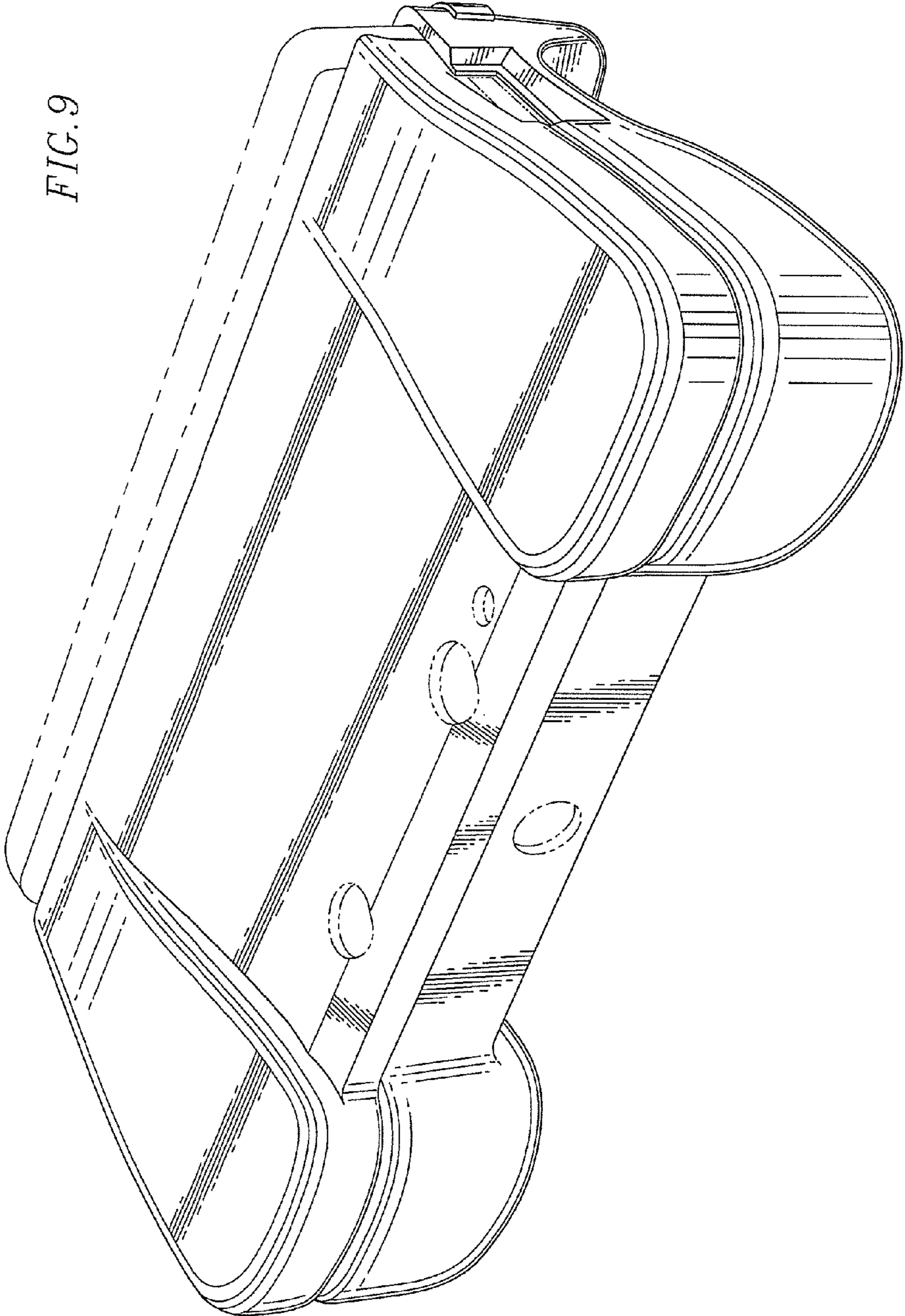


FIG. 10

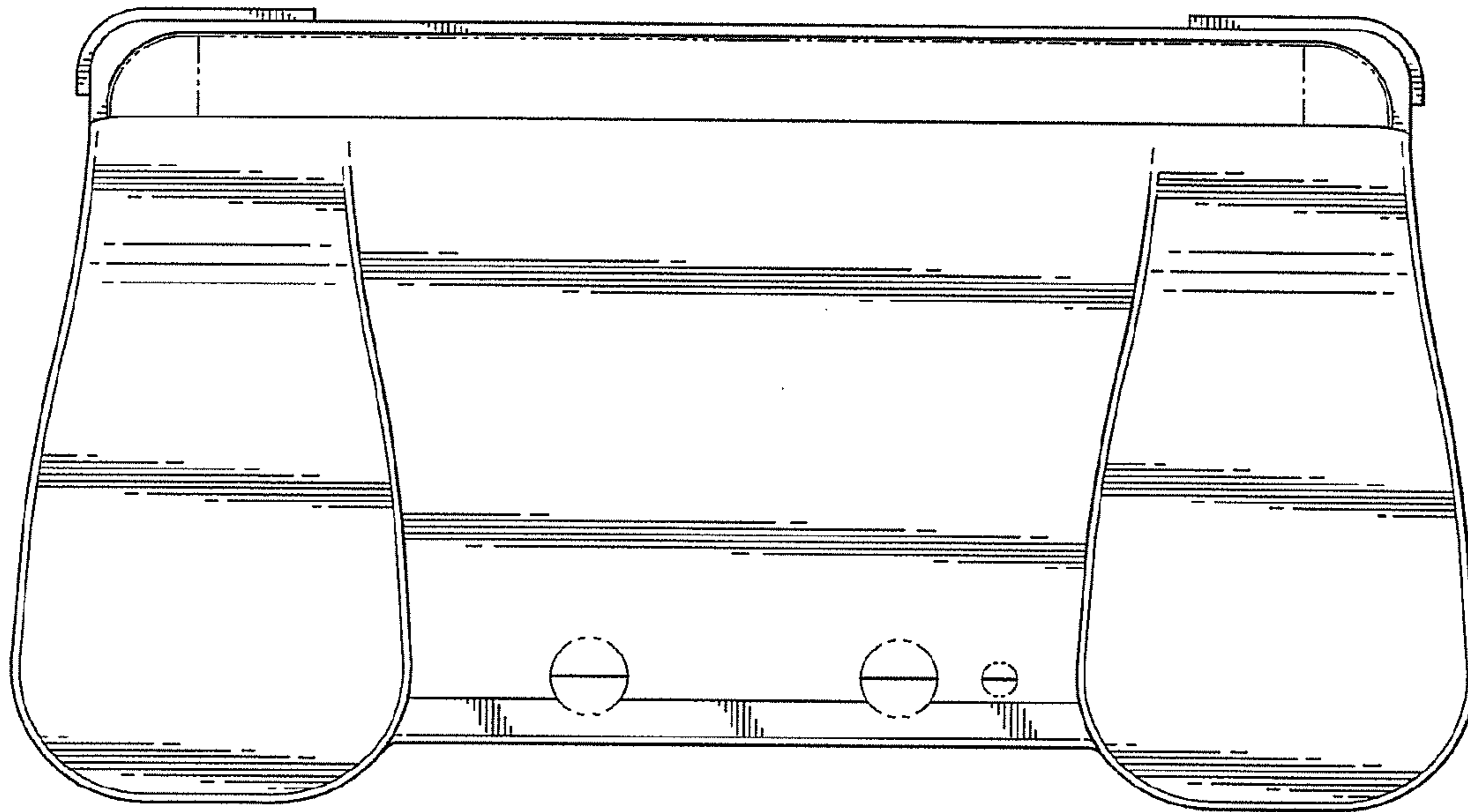


FIG. 11

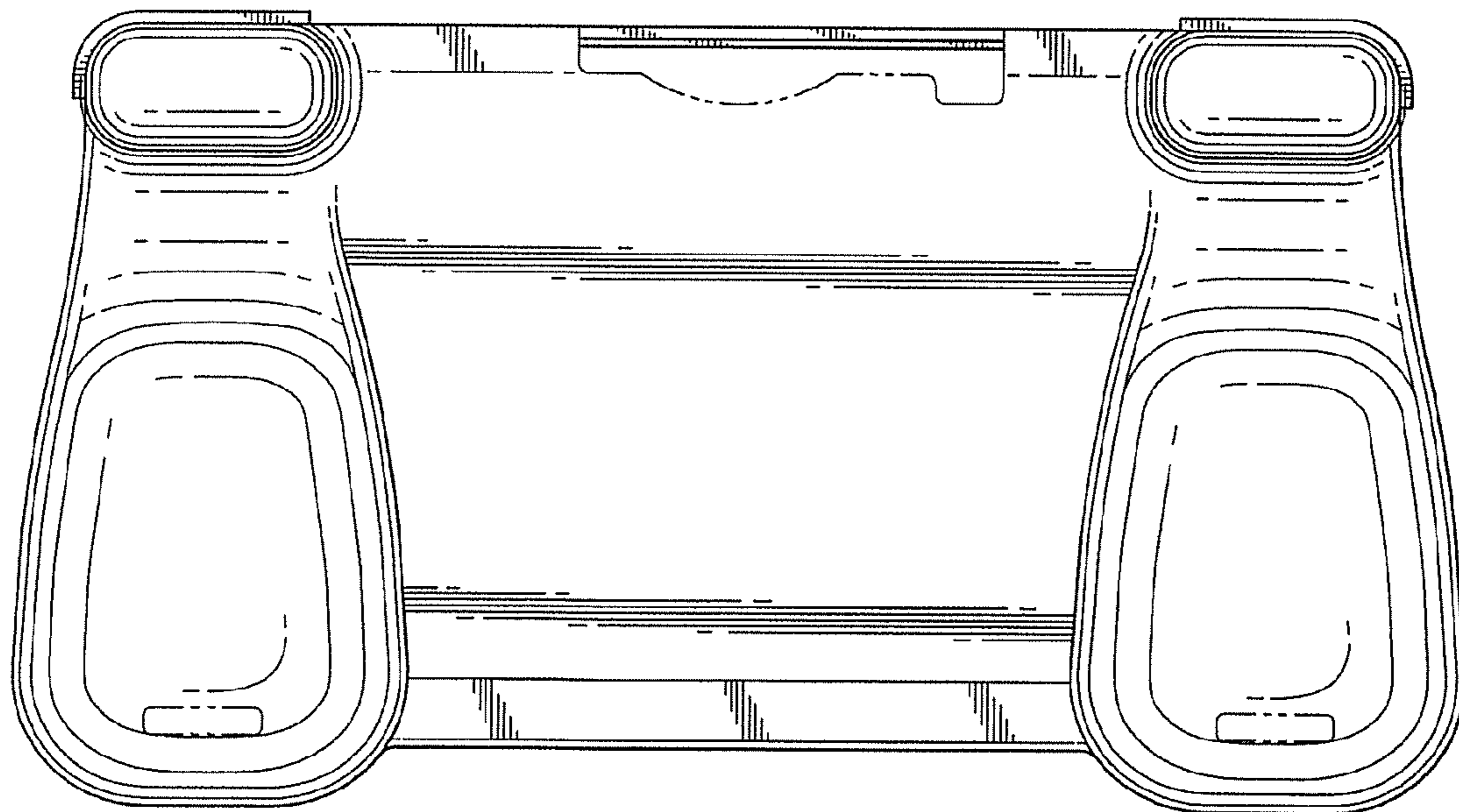


FIG. 13

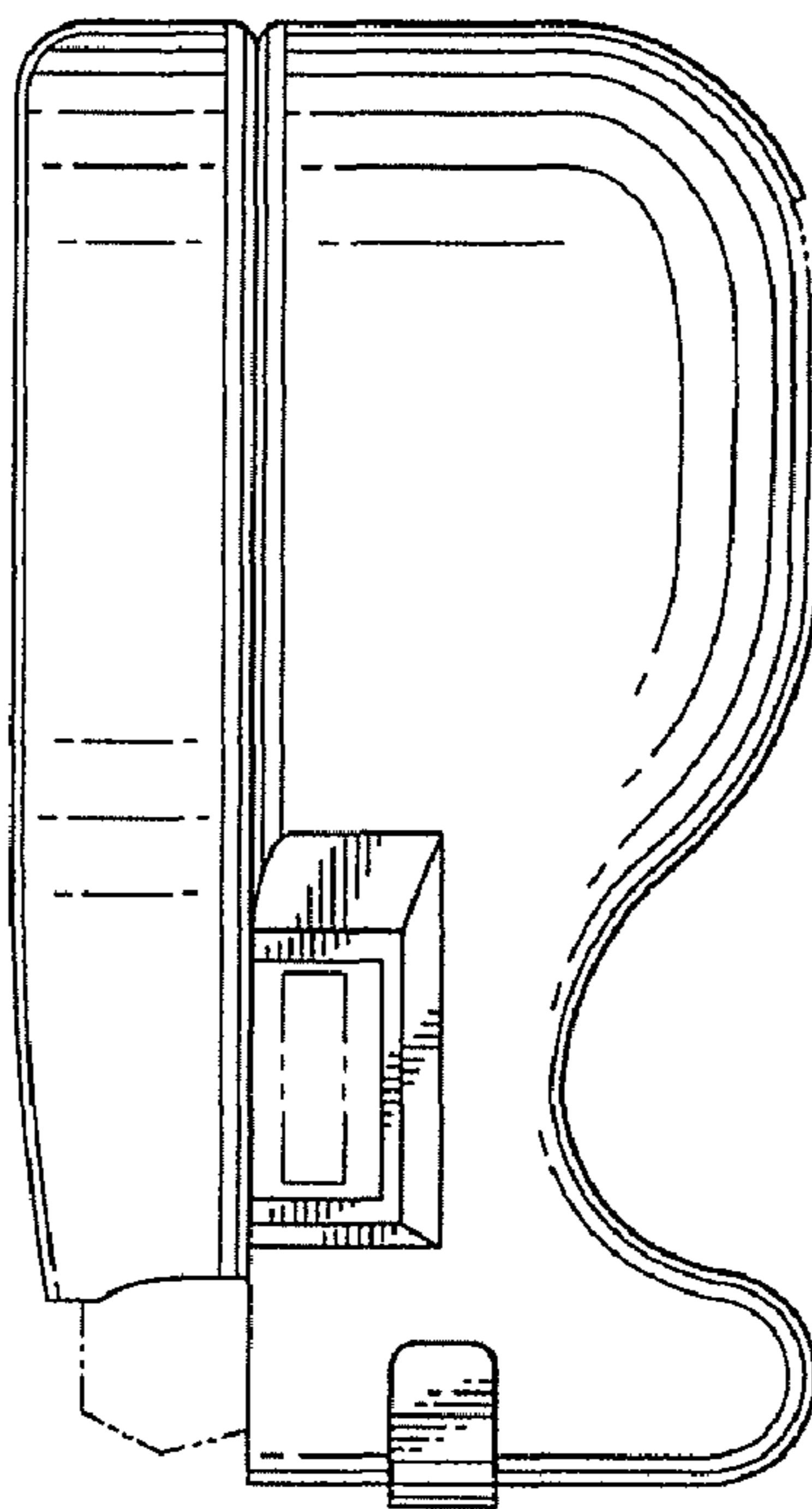


FIG. 12

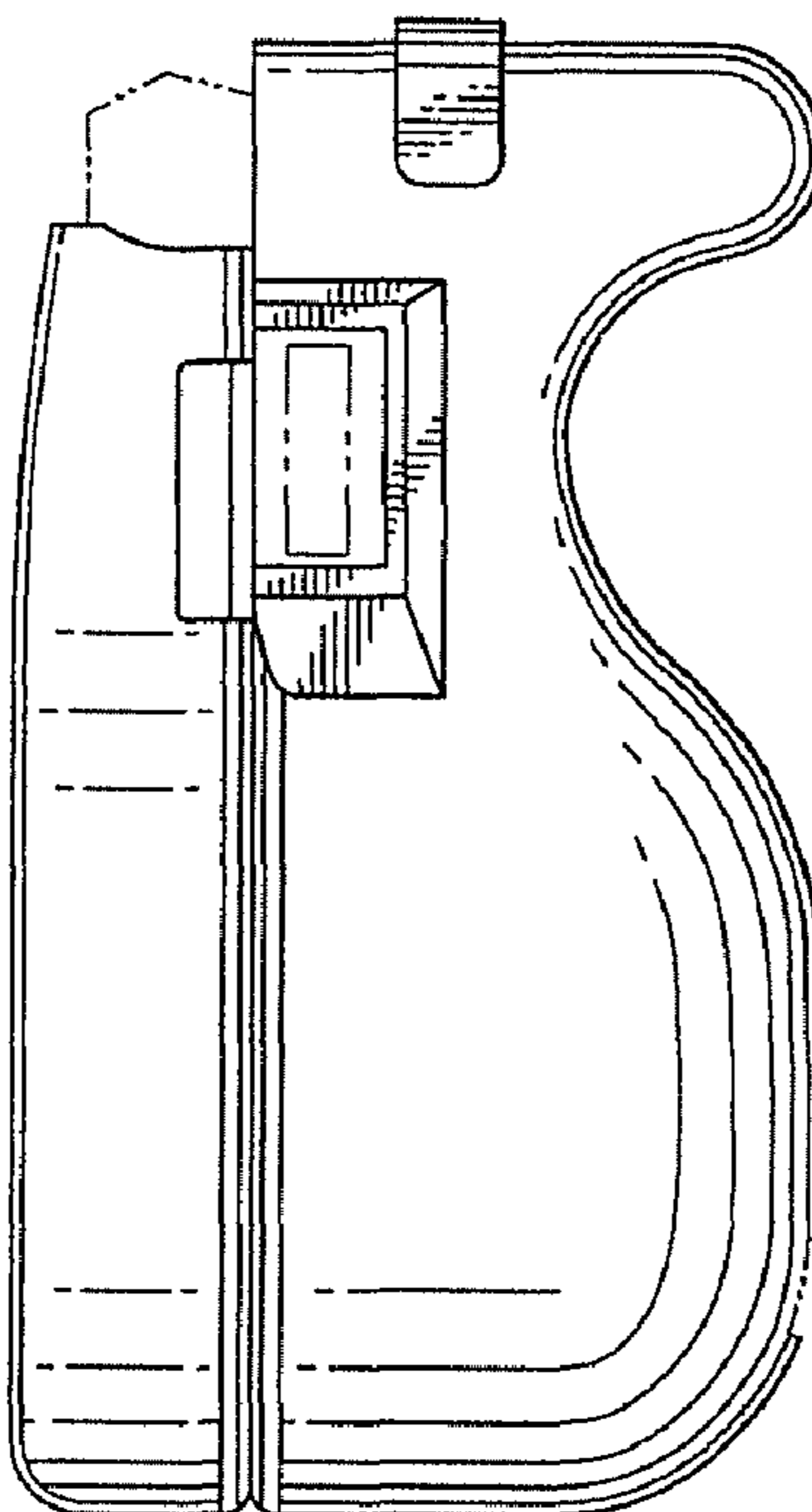


FIG. 14

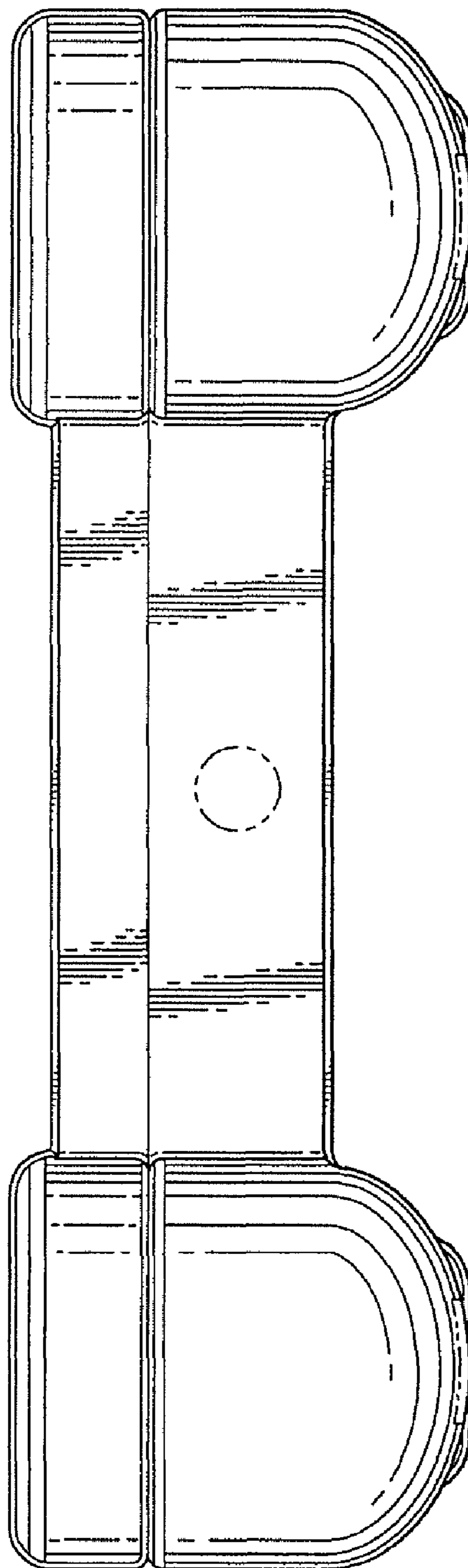


FIG. 15

