



US00D655754S

(12) **United States Design Patent**
Lee et al.

(10) **Patent No.:** **US D655,754 S**
(45) **Date of Patent:** **** Mar. 13, 2012**

(54) **PAPER PUNCH**
(75) Inventors: **Jungkun Lee**, Edison, NJ (US);
Yung-Teng Tsai, Secaucus, NJ (US)
(73) Assignee: **Officemate International Corp.**,
Edison, NJ (US)
(**) Term: **14 Years**
(21) Appl. No.: **29/373,282**
(22) Filed: **Mar. 25, 2011**
(51) **LOC (9) Cl.** **19-02**
(52) **U.S. Cl.** **D19/72**
(58) **Field of Classification Search** D8/98;
D19/72; 30/358, 363; 83/167, 613, 618,
83/620, 633, 684, 685, 686, 687, 688, 689,
83/690, 691
See application file for complete search history.

7,194,942 B2 * 3/2007 Lee 83/618
D541,867 S * 5/2007 Kent et al D19/72
D542,848 S * 5/2007 Kent et al. D19/72
D567,862 S * 4/2008 Chen et al. D19/72
D568,401 S * 5/2008 Chen et al. D19/72
D571,406 S * 6/2008 Chen et al. D19/72
D573,649 S * 7/2008 Chen et al. D19/72
D612,890 S * 3/2010 Isozaki et al. D19/72
D618,729 S * 6/2010 Lee et al. D19/72
D633,145 S * 2/2011 Lee et al. D19/72
D633,146 S * 2/2011 Lee et al. D19/72
2002/0157517 A1 * 10/2002 Huang 83/618
2004/0164138 A1 * 8/2004 Lin 234/98
2005/0145085 A1 * 7/2005 Lee 83/618
2006/0144206 A1 * 7/2006 Lee 83/684
2009/0133560 A1 * 5/2009 Chen et al. 83/588
2010/0107847 A1 * 5/2010 Cedar et al. 83/687

* cited by examiner

Primary Examiner — Elizabeth Albert

(74) *Attorney, Agent, or Firm* — Daniel Kirshner

(57) **CLAIM**

The ornamental design for a paper punch, as shown and described.

(56) **References Cited**

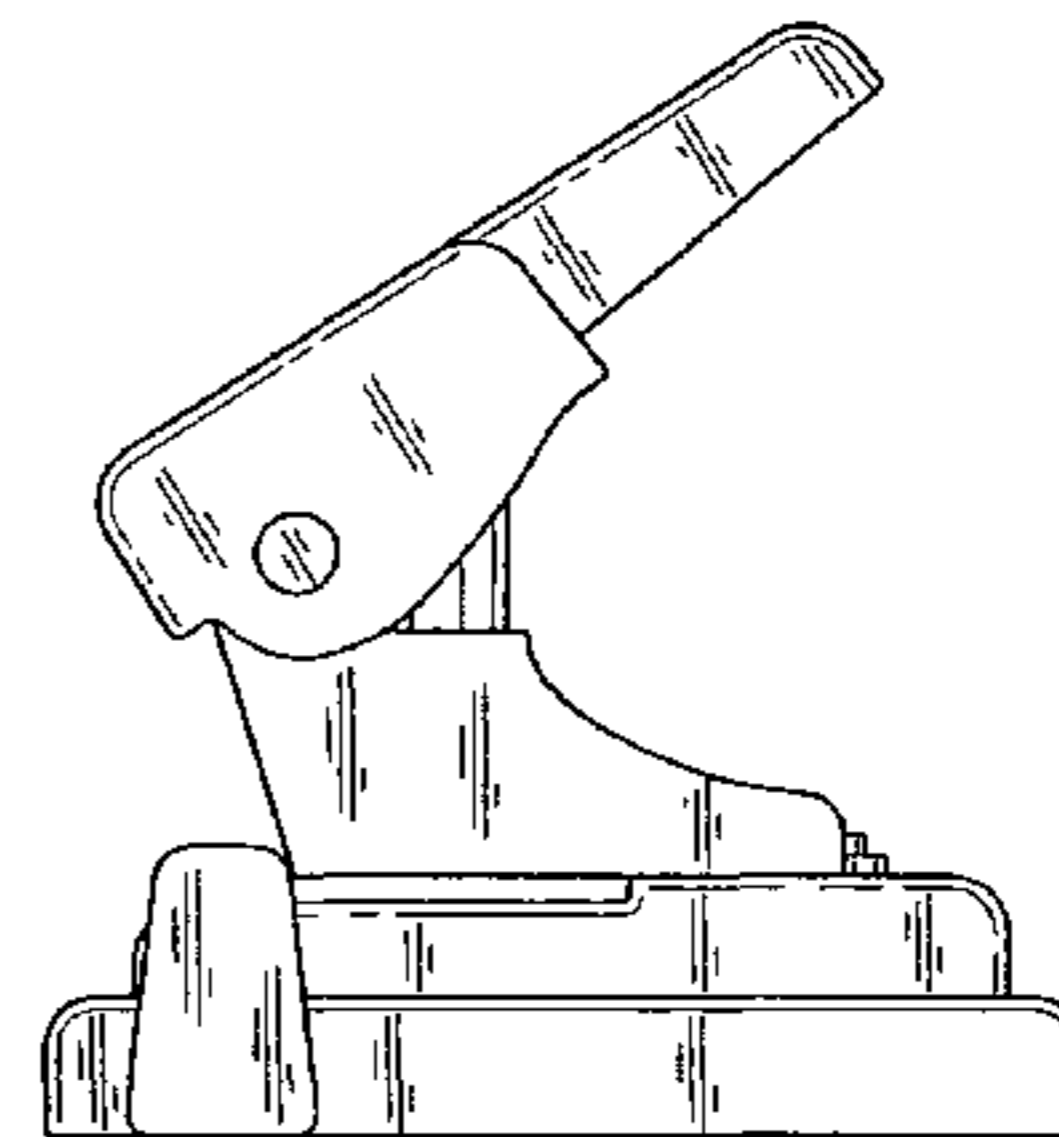
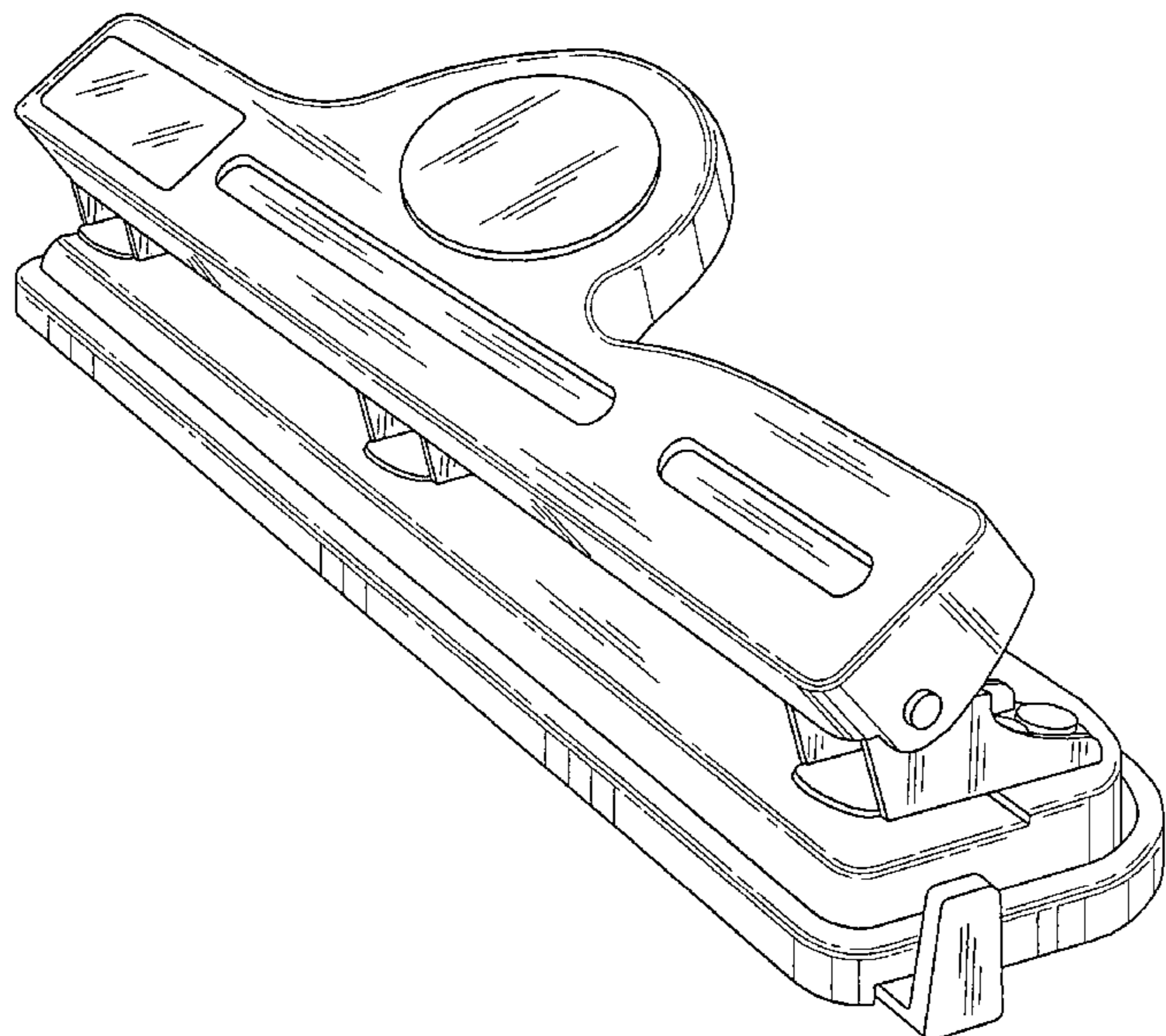
U.S. PATENT DOCUMENTS

2,244,660 A * 6/1941 Carpenter 83/167
2,481,883 A * 9/1949 Semler 83/560
3,387,526 A * 6/1968 Neilsen 83/571
4,036,088 A * 7/1977 Ruskin 83/167
D283,035 S * 3/1986 Goertz D19/72
D289,776 S * 5/1987 Goertz et al. D19/72
4,688,457 A * 8/1987 Neilsen et al. 83/468
4,713,995 A * 12/1987 Davi 83/167
4,898,055 A * 2/1990 Neilsen 83/571
D350,564 S * 9/1994 Goodin D19/72
5,632,188 A * 5/1997 Karlis 83/167
6,109,155 A * 8/2000 Huang 83/628
D445,832 S * 7/2001 Chan D19/72
D468,360 S * 1/2003 Chen D19/72
D477,846 S * 7/2003 Racamier D19/72
6,786,395 B1 * 9/2004 Lin 234/98
6,925,921 B2 * 8/2005 Lee 83/618
7,011,009 B1 * 3/2006 Tomich 83/696

DESCRIPTION

FIG. 1 is a front perspective view of a paper punch showing the new design;
FIG. 2 is a rear perspective view thereof;
FIG. 3 is a right side view thereof;
FIG. 4 is a left side view thereof;
FIG. 5 is a front view thereof;
FIG. 6 is a rear view thereof;
FIG. 7 is a top view thereof; and,
FIG. 8 is a bottom view thereof.
The broken lines showing eight brackets and surfaces on the bottom in FIG. 8 are included for the purpose of illustrating portions of the paper punch that form no part of the claimed design.

1 Claim, 8 Drawing Sheets



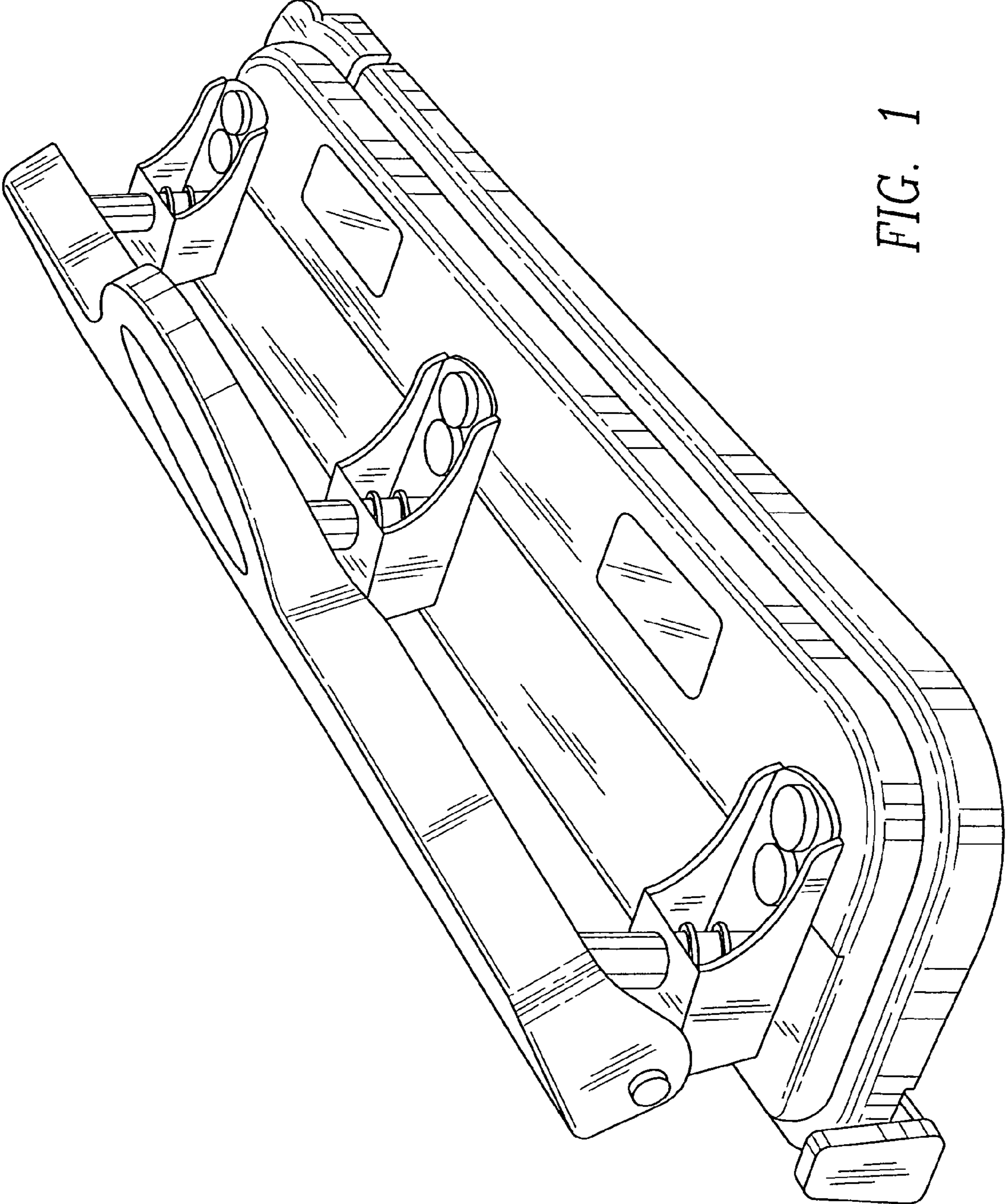


FIG. 1

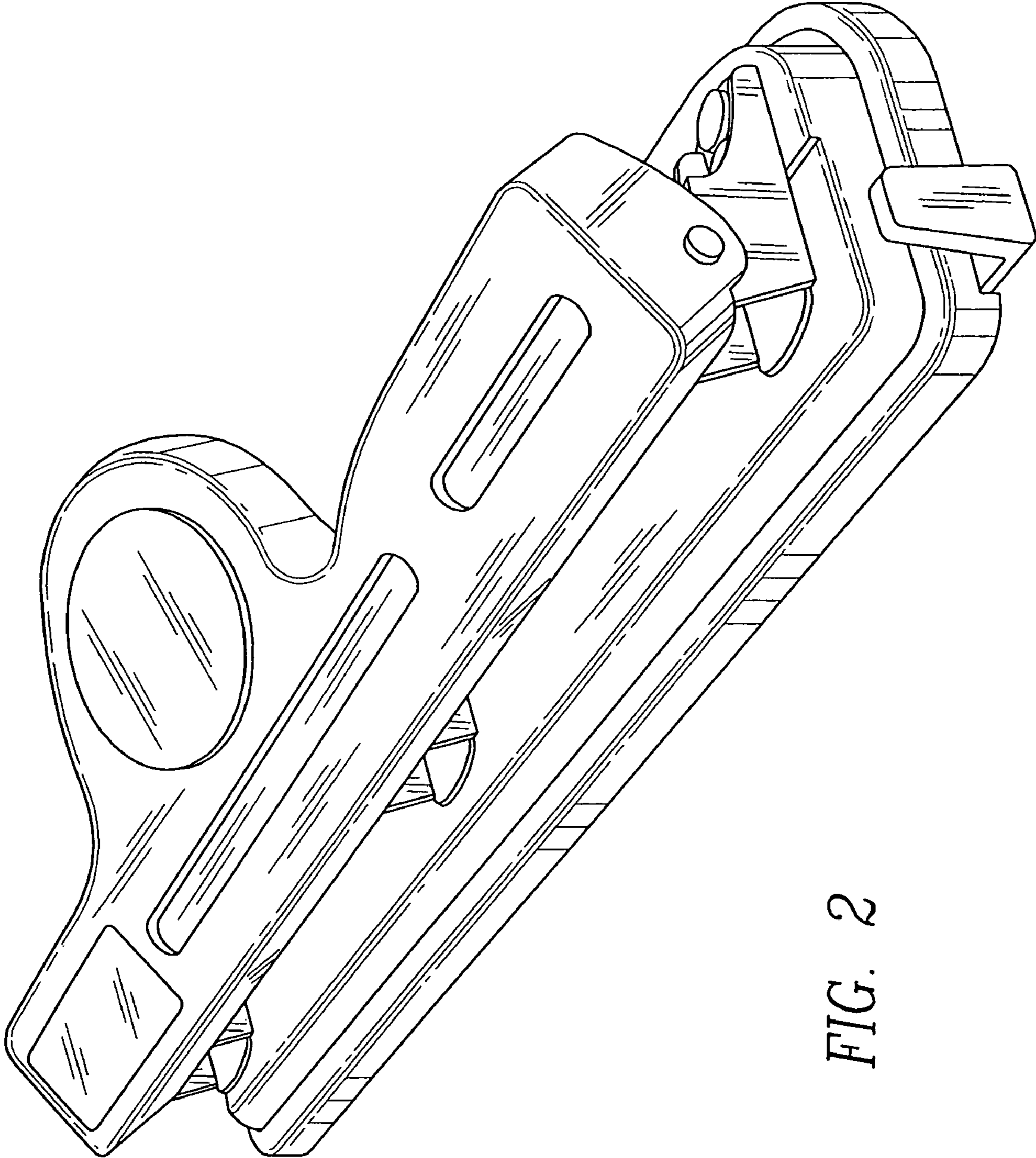


FIG. 2

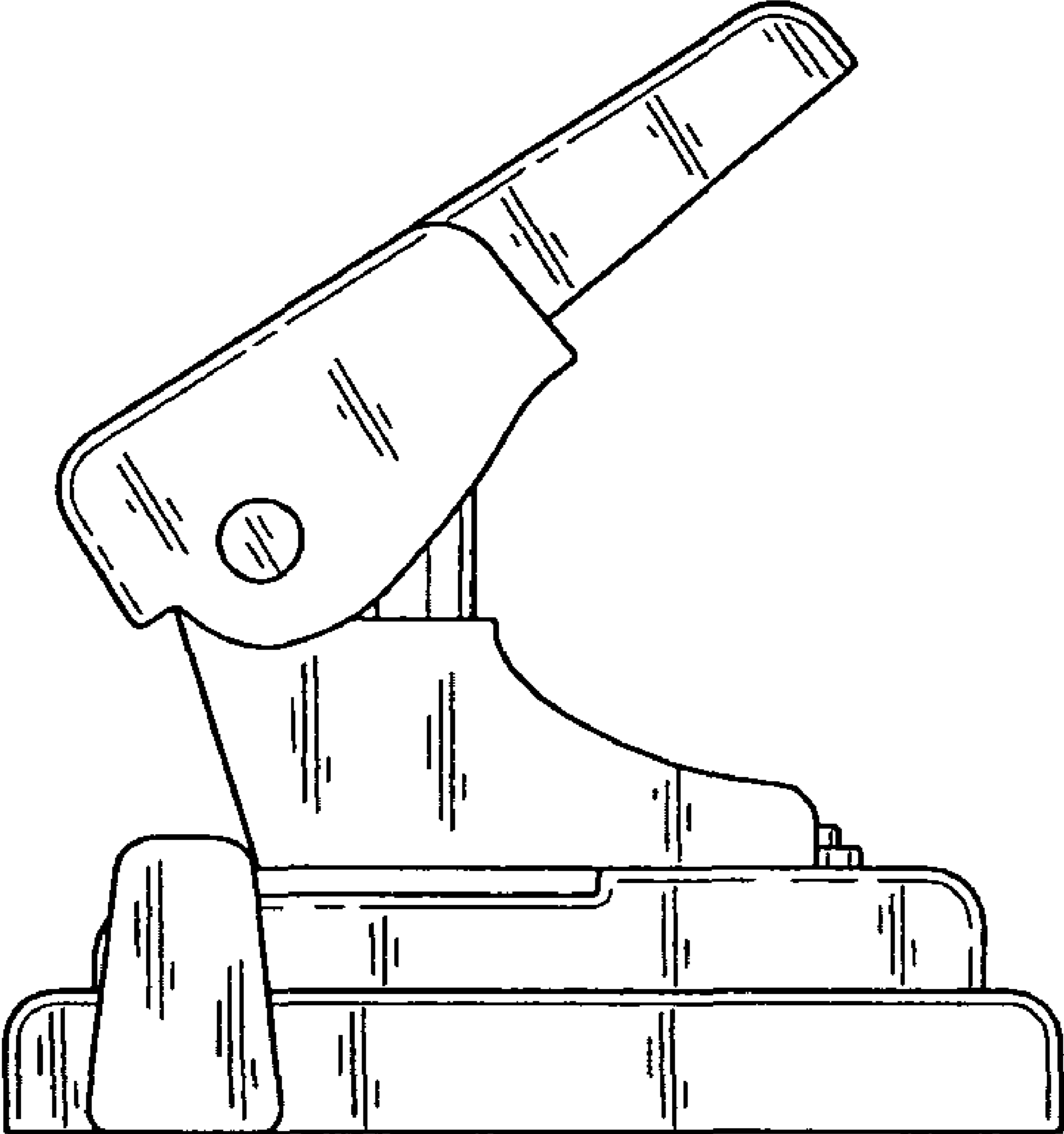


FIG. 3

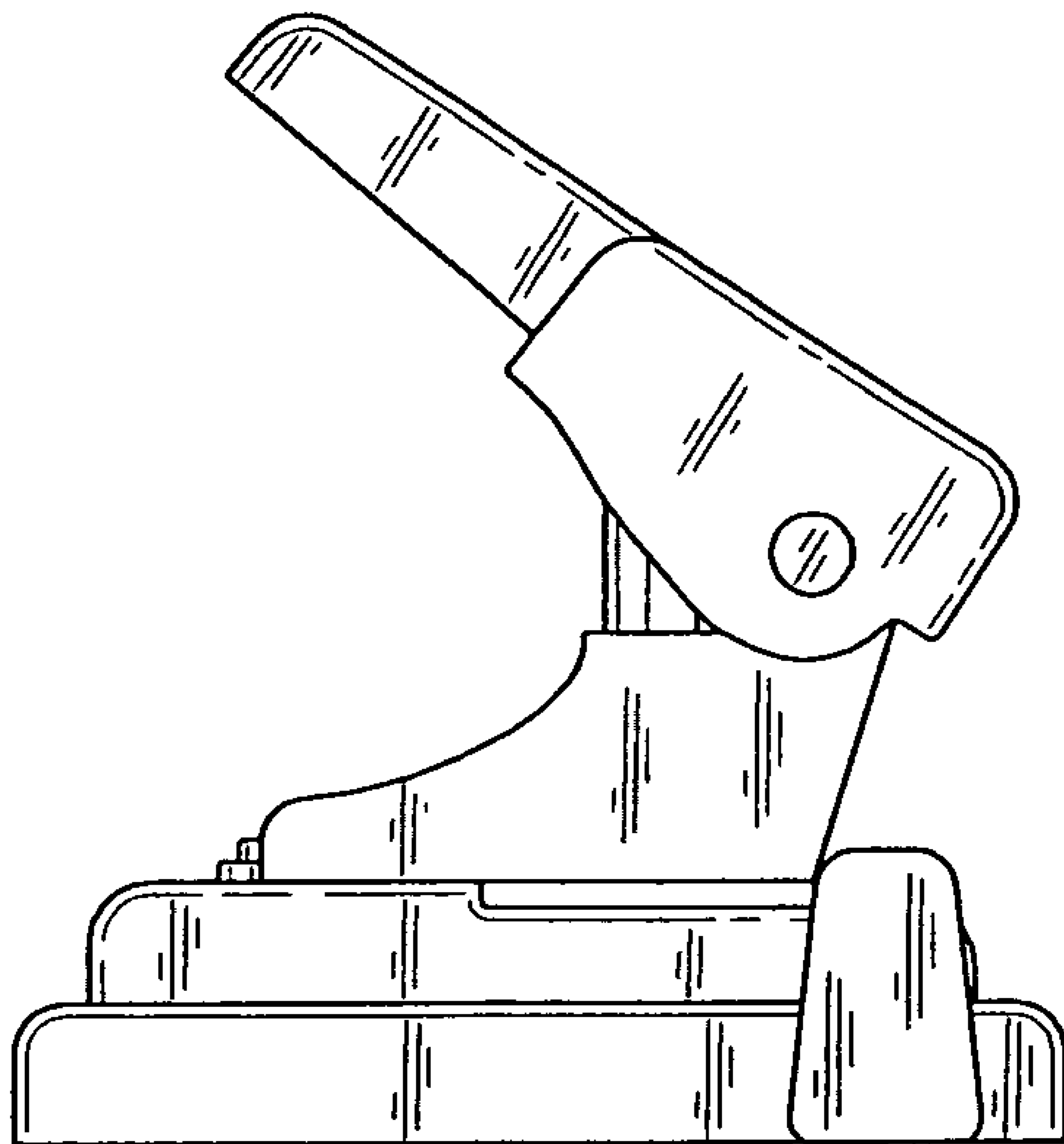


FIG. 4

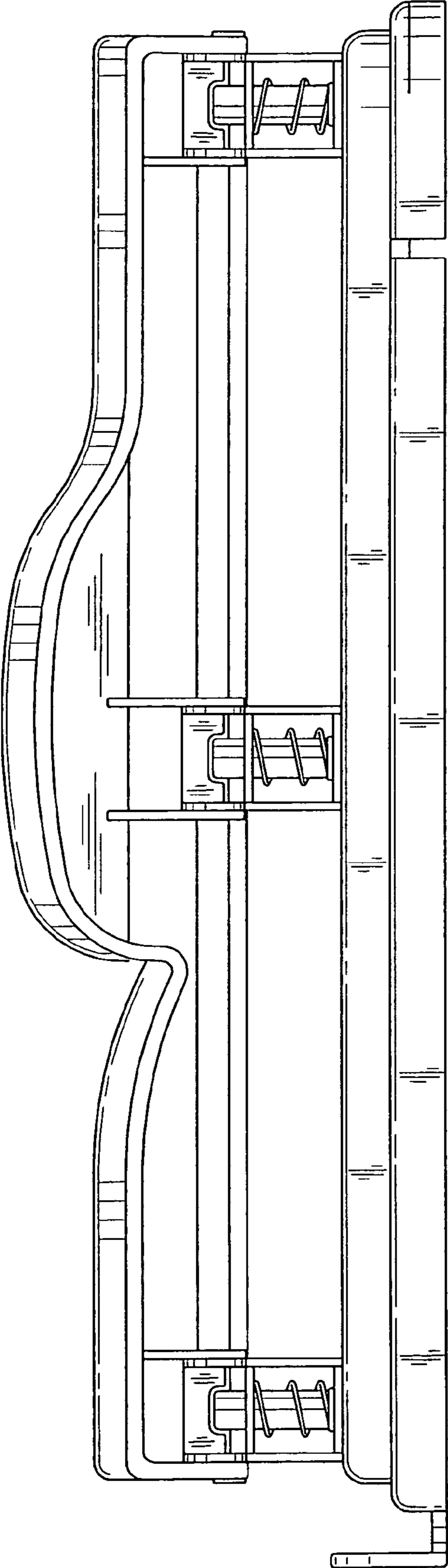


FIG. 5

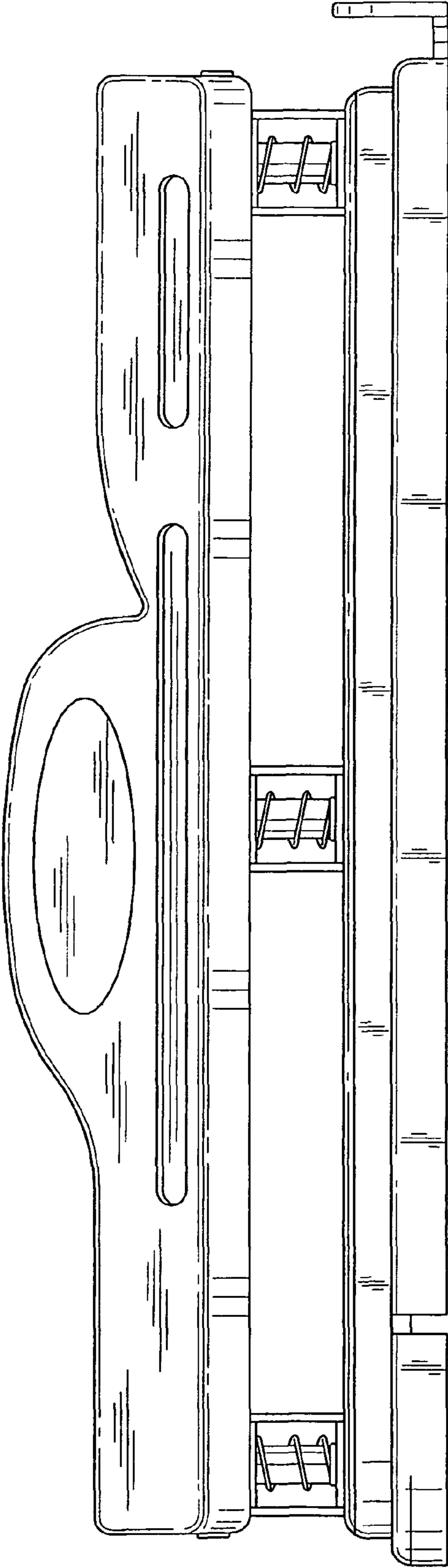


FIG. 6

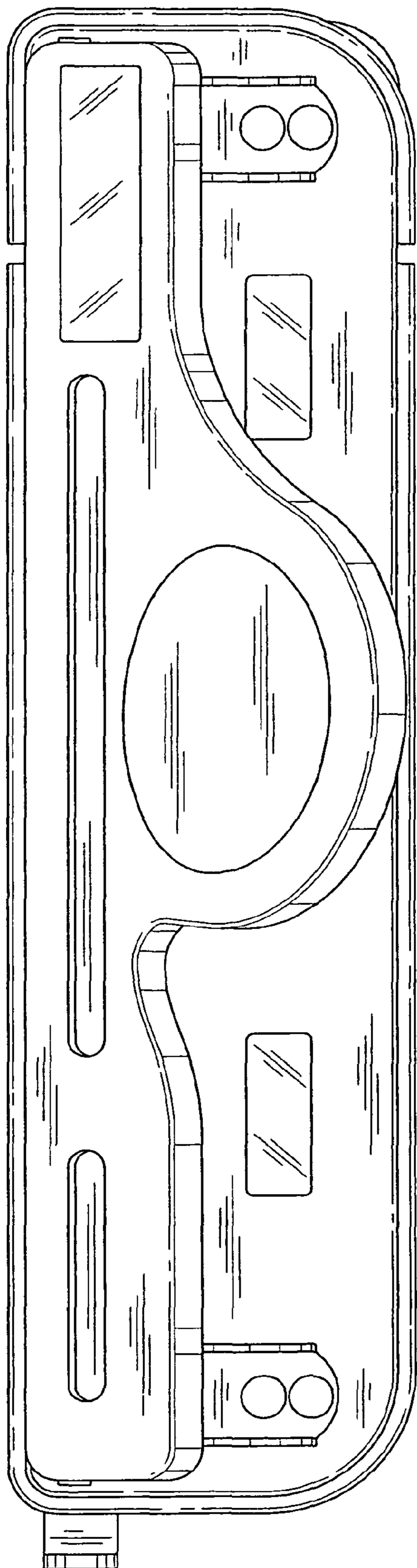


FIG. 7

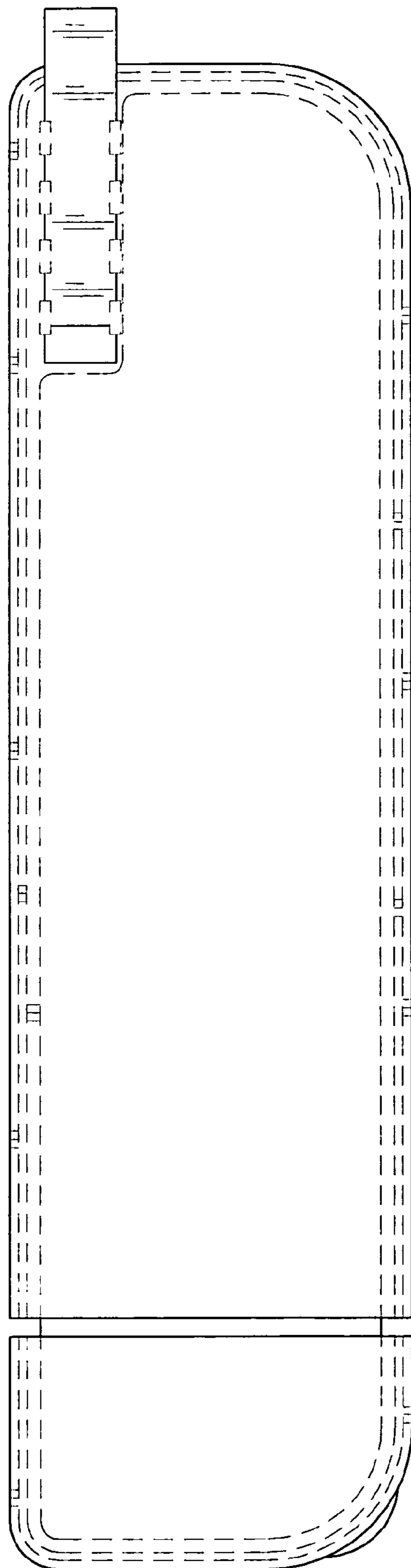


FIG. 8