



US00D655752S

(12) **United States Design Patent**
King et al.

(10) **Patent No.:** **US D655,752 S**
(45) **Date of Patent:** **** Mar. 13, 2012**

- (54) **CLIP FOR A PHOTO ALBUM**
- (75) Inventors: **David King**, Stanton By Dale (GB);
David Harbinson, Stanton By Dale (GB)
- (73) Assignee: **Nexfoto Limited**, Derbyshire (GB)
- (**) Term: **14 Years**
- (21) Appl. No.: **29/384,871**
- (22) Filed: **Feb. 4, 2011**
(Under 37 CFR 1.47)
- (30) **Foreign Application Priority Data**
Aug. 5, 2010 (EP) 001228951-0003
- (51) **LOC (9) Cl.** **19-04**
- (52) **U.S. Cl.** **D19/32**
- (58) **Field of Classification Search** D19/26-27,
D19/32-33, 65, 86, 90; 402/60, 70, 80 P,
402/80 R; 281/20, 21.1, 27.1-27.3, 29-31,
281/38, 42, 48; 40/658, 666, 752, 765, 777-778;
D25/119, 121-122, 124
See application file for complete search history.

- (56) **References Cited**
U.S. PATENT DOCUMENTS
D198,447 S * 6/1964 Lovgren D25/119
3,252,462 A * 5/1966 Quarton et al. 281/34
D206,428 S * 12/1966 Feldmahr D19/32
3,363,390 A * 1/1968 Jameson et al. 52/716.8
4,105,127 A * 8/1978 Holl 211/124
D267,776 S * 2/1983 Holgersson et al. D8/396
4,486,032 A * 12/1984 Leahy 281/46

- 4,521,035 A * 6/1985 Berezowsky 281/48
- 4,569,613 A * 2/1986 Thomas 402/80 R
- 4,575,123 A * 3/1986 Giblin et al. 281/48
- 4,867,479 A * 9/1989 Mizutani 281/48
- D360,221 S * 7/1995 Wu D19/32
- D381,041 S * 7/1997 Lammers et al. D19/32
- D385,304 S * 10/1997 Griffin D19/65
- D398,651 S * 9/1998 Suzuki D19/90
- D407,749 S * 4/1999 Griffin D19/65
- 5,947,524 A * 9/1999 Podosek 281/45
- D427,326 S * 6/2000 Bevan et al. D25/121
- D447,171 S * 8/2001 Wolff et al. D19/32
- 6,273,374 B1 * 8/2001 Mc Duffey 248/205.3
- 6,371,520 B1 * 4/2002 Wolff et al. 281/29
- D533,227 S * 12/2006 Nuttall D19/65
- D534,588 S * 1/2007 Nuttall D19/65
- D569,998 S * 5/2008 Mertinooke et al. D25/121

* cited by examiner

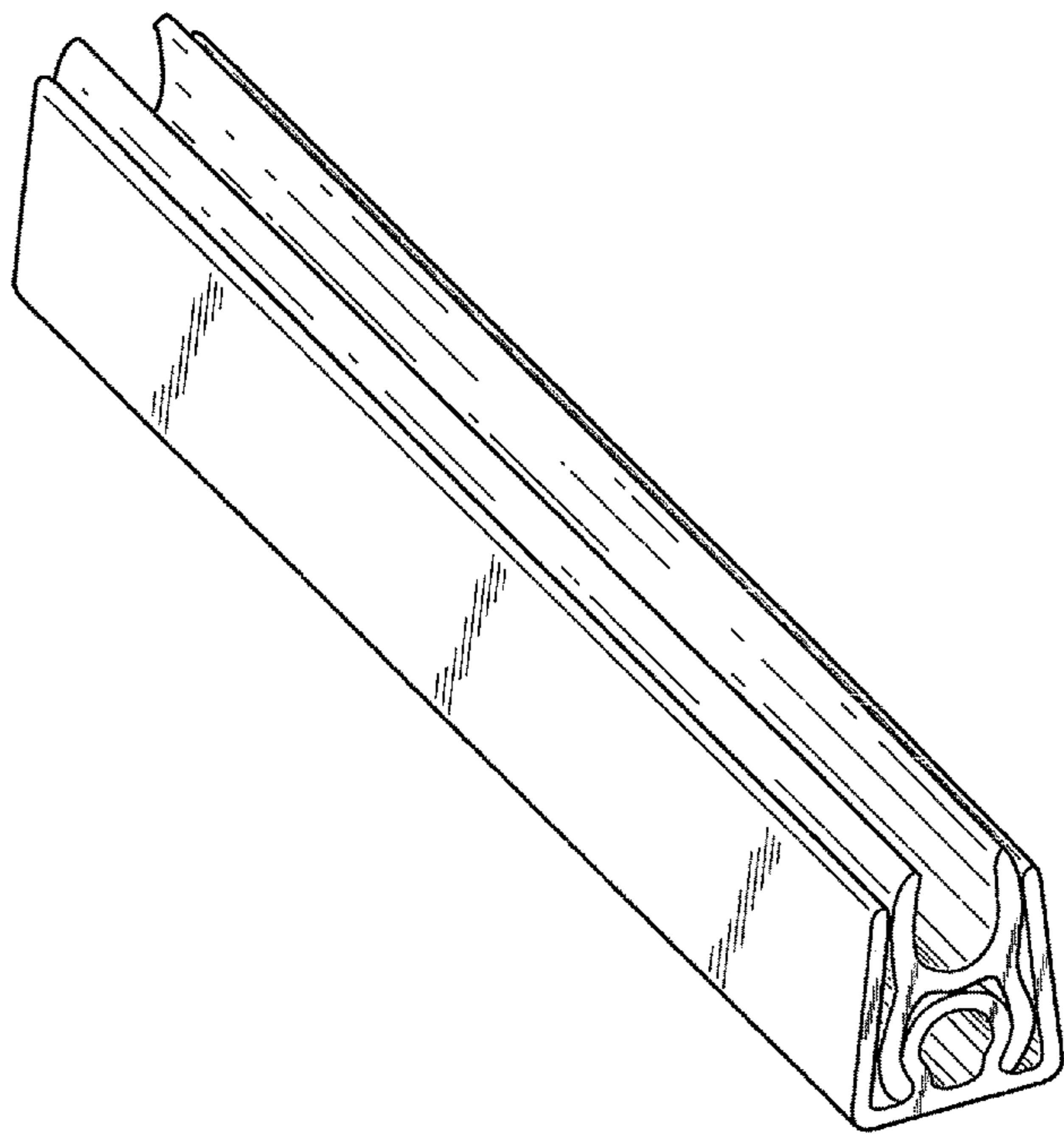
Primary Examiner — T. Chase Nelson
Assistant Examiner — Kathleen M Sims
(74) *Attorney, Agent, or Firm* — Maier & Maier, PLLC

(57) **CLAIM**
The ornamental design for a clip for a photo album, as shown and described.

DESCRIPTION

FIG. 1 is an isometric view of a clip for a photo album showing our new design;
FIG. 2 is a top view thereof;
FIG. 3 is a front view thereof, the rear view being the same;
FIG. 4 is a bottom view thereof; and,
FIG. 5 is a right side view thereof, the left side view being the same.

1 Claim, 2 Drawing Sheets



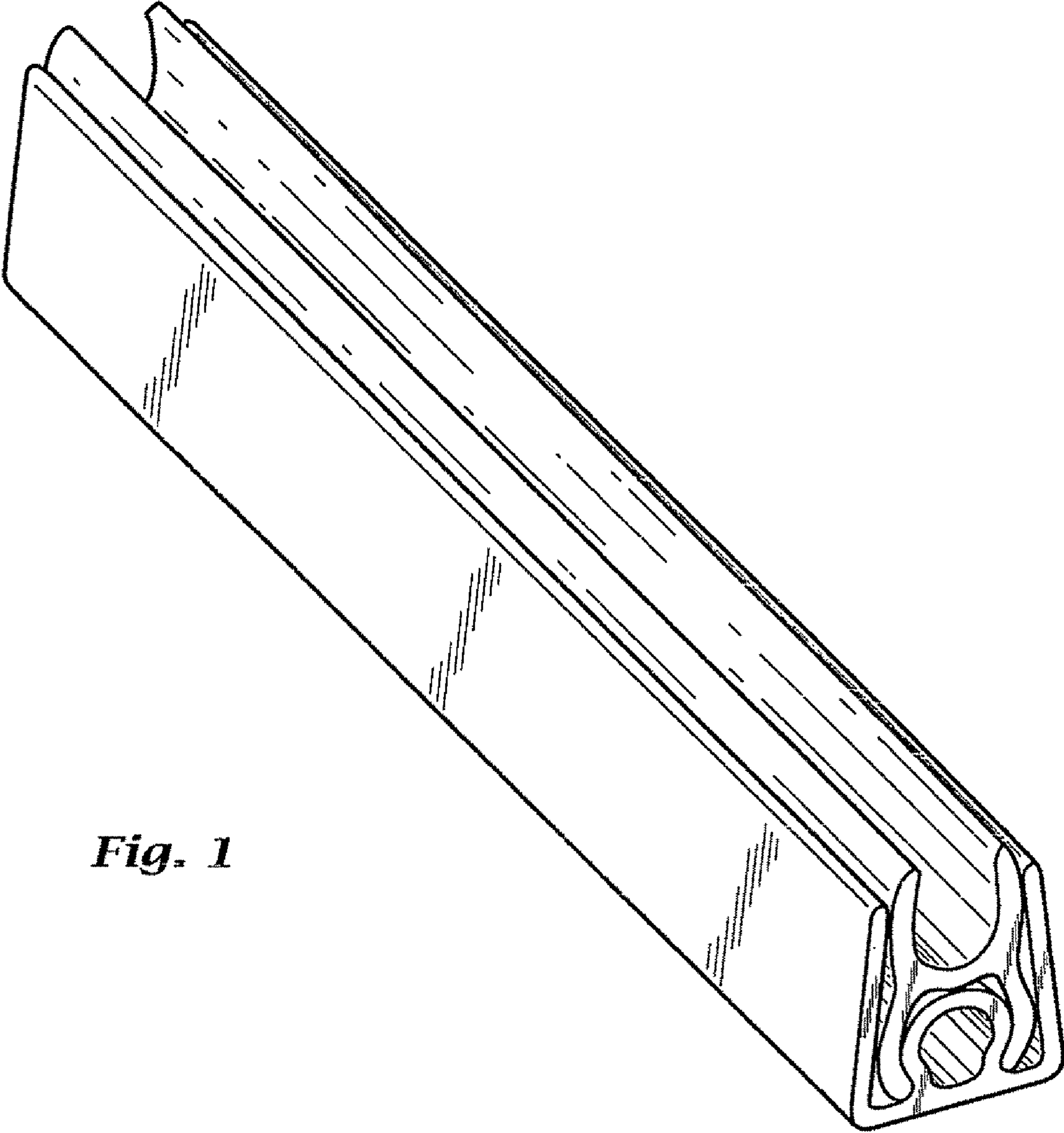


Fig. 1

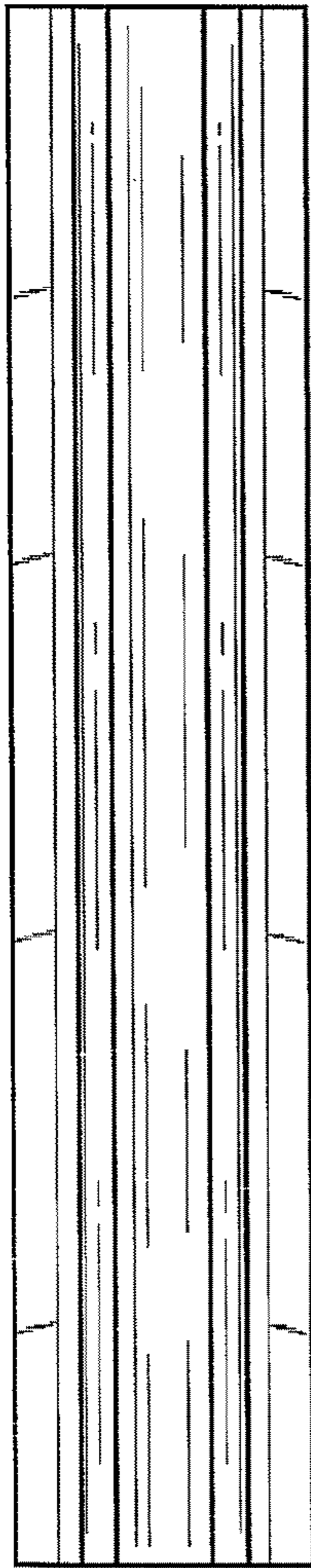


Fig. 2

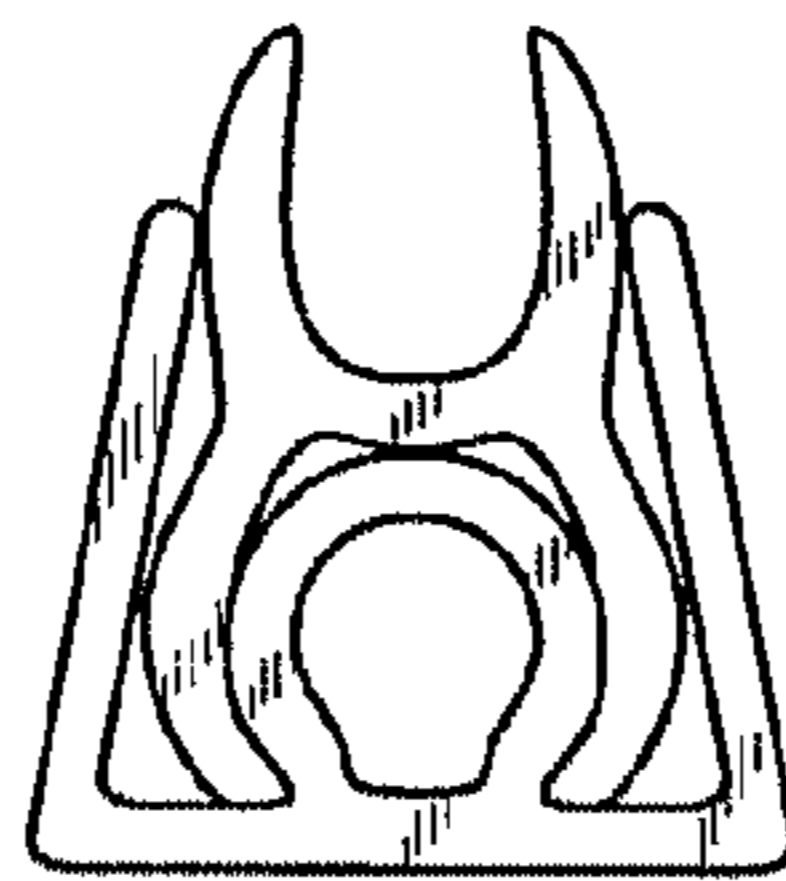


Fig. 3

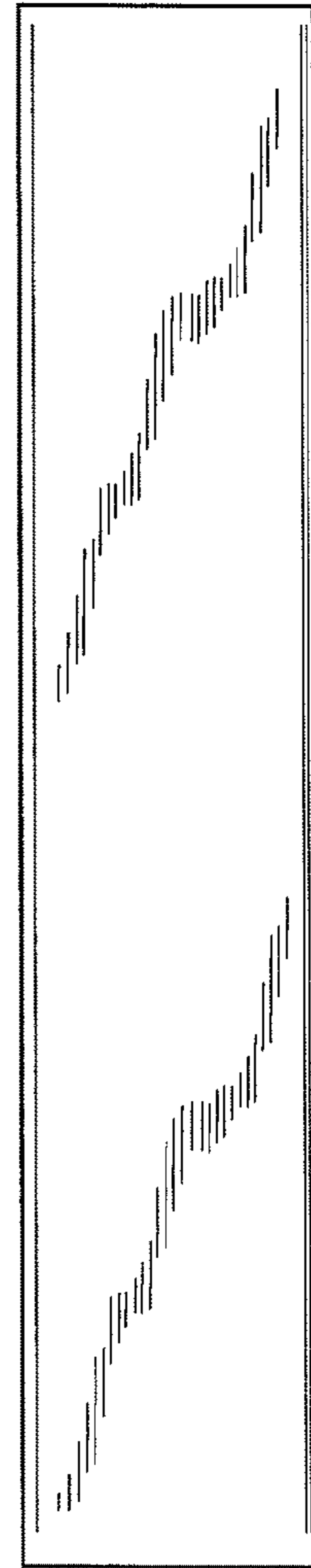


Fig. 4

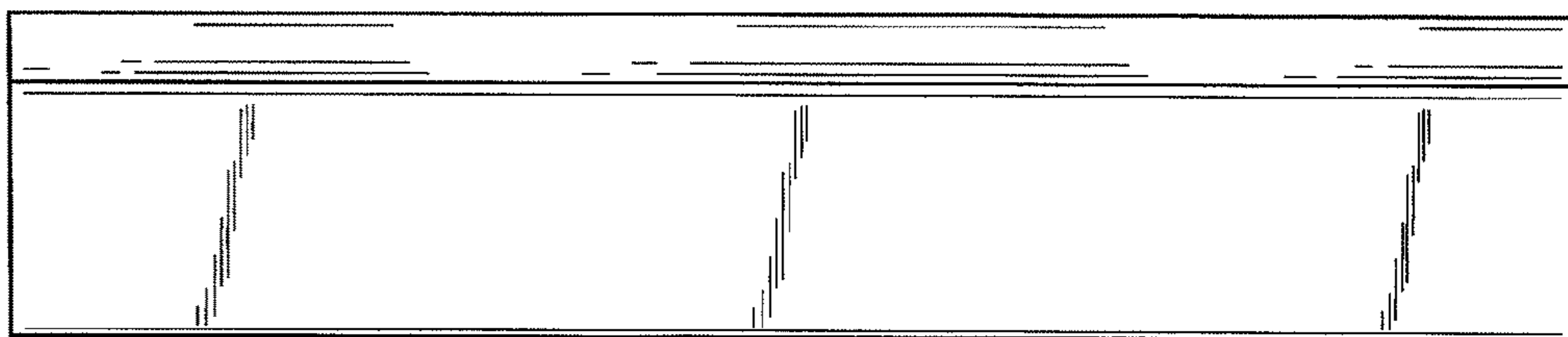


Fig. 5