



US00D655751S

(12) **United States Design Patent**  
**Sato et al.**

(10) **Patent No.:** **US D655,751 S**  
(45) **Date of Patent:** **\*\* \*Mar. 13, 2012**

(54) **POCKET**

(75) Inventors: **Jay K. Sato**, Mission Viejo, CA (US);  
**Susan L. Broyles**, Sierra Madre, CA  
(US); **Eric Kim**, Irvine, CA (US);  
**Darren S. Ferris**, La Habra Heights, CA  
(US); **Walter W. Lee**, Pasadena, CA  
(US); **Anne Zhang**, Dong Guan (CN)

(73) Assignee: **Avery Dennison Corporation**,  
Pasadena, CA (US)

(\*) Notice: This patent is subject to a terminal dis-  
claimer.

(\*\*) Term: **14 Years**

(21) Appl. No.: **29/353,492**

(22) Filed: **Jan. 8, 2010**

(51) **LOC (9) Cl.** ..... **19-04**

(52) **U.S. Cl.** ..... **D19/26**

(58) **Field of Classification Search** ..... D19/26-33,  
D19/75, 78, 86, 88; 281/15.1, 29, 31, 38;  
229/67.1, 68.1, 72, 67.4; 206/308.3, 312;  
D3/227, 230, 303

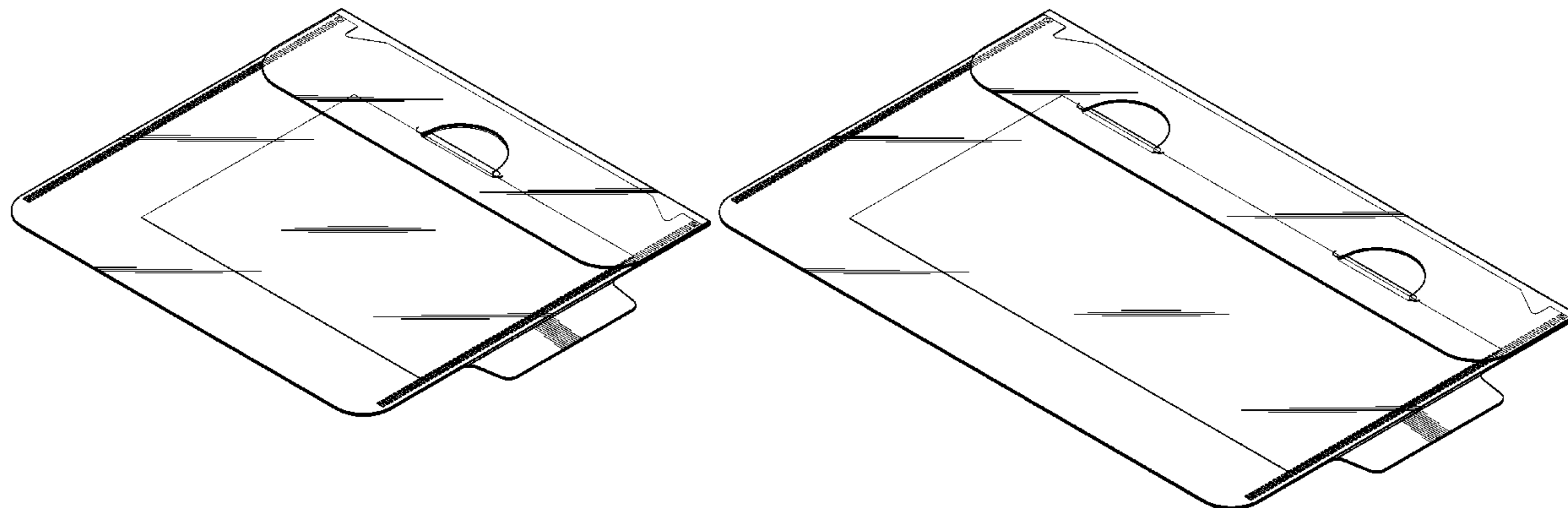
See application file for complete search history.

(56) **References Cited**

**U.S. PATENT DOCUMENTS**

501,431 A *	7/1893	Lambert	150/149
3,142,437 A *	7/1964	Grant et al.	229/67.1
D202,940 S *	11/1965	Bloom	D19/86
3,459,361 A *	8/1969	Matton	383/40
3,540,646 A	11/1970	Kizler	
D243,846 S *	3/1977	Watson	D19/3
4,388,958 A *	6/1983	Dworkin	229/72
D276,095 S *	10/1984	Sakow	D6/407
D286,463 S *	11/1986	Sfikas	D6/632
D299,888 S *	2/1989	Maxwell	D6/407
D304,261 S *	10/1989	Cheung	D6/407
4,895,198 A *	1/1990	Samuelson	150/138
4,923,111 A *	5/1990	Down	229/67.1
D312,476 S *	11/1990	Westendorff	D19/27
D312,656 S *	12/1990	Huber	D19/3
5,011,189 A	4/1991	Olson	

5,031,772 A	7/1991	Woodriff	
5,056,824 A	10/1991	Olson	
5,060,847 A	10/1991	Angus	
5,062,530 A	11/1991	Mitsuyama	
5,141,485 A	8/1992	Welt	
5,249,827 A	10/1993	Olson	
D344,015 S	2/1994	Jacobson	
5,366,776 A	11/1994	Mertens	
5,417,509 A	5/1995	Schwartz	
D359,310 S *	6/1995	Su	D19/90
D363,083 S *	10/1995	Thompson et al.	D19/3
D364,086 S *	11/1995	Jacobson	D9/705
5,513,457 A *	5/1996	Byrnes et al.	40/405
D379,370 S	5/1997	Lee	
D381,690 S	7/1997	Anderson et al.	
5,647,482 A	7/1997	Kleinfelder	
5,662,217 A	9/1997	Durr	
5,911,442 A	6/1999	Olson	
D415,195 S *	10/1999	Kinkel et al.	D19/3
6,220,504 B1	4/2001	Flynn et al.	
6,220,505 B1	4/2001	Flynn et al.	
6,279,817 B1	8/2001	Flynn et al.	
6,352,198 B1	3/2002	Flynn et al.	
6,357,651 B1	3/2002	Flynn et al.	
6,364,198 B1	4/2002	Flynn et al.	
6,367,689 B1	4/2002	Flynn et al.	
6,375,065 B1 *	4/2002	Flynn et al.	229/69
6,398,024 B2 *	6/2002	Koehn	206/308.1
6,415,976 B1	7/2002	Flynn et al.	
6,425,519 B1	7/2002	Flynn et al.	
6,427,905 B1	8/2002	Flynn et al.	
6,488,999 B1	12/2002	Flynn et al.	
6,499,652 B1	12/2002	Flynn et al.	
6,523,737 B1	2/2003	Flynn et al.	
6,681,928 B1	1/2004	Siek et al.	
6,796,428 B1	9/2004	Ong	
6,845,864 B2	1/2005	Taw et al.	
6,967,046 B2	11/2005	Bollinger et al.	
7,040,051 B2	5/2006	Windorski	
D522,575 S *	6/2006	Smith	D19/33
D522,576 S *	6/2006	Smith	D19/33
7,140,135 B2	11/2006	Irvine et al.	
7,225,570 B2	6/2007	Windorski	
D546,705 S *	7/2007	Suzuki	D9/707
7,237,710 B1	7/2007	Ong	
D554,701 S *	11/2007	Kranz	D19/3
D567,286 S *	4/2008	Takahashi	D19/33
D577,768 S *	9/2008	Takahashi	D19/27
D601,189 S	9/2009	Riesterer et al.	
D601,264 S *	9/2009	Patterson et al.	D24/213
D602,524 S *	10/2009	Wong et al.	D19/33
D608,390 S *	1/2010	Wong et al.	D19/33
D608,391 S *	1/2010	Wong et al.	D19/33



7,108,169	B2	1/2010	Balzer	
D638,215	S *	5/2011	Kellington .....	D3/203.1
8,061,515	B2 *	11/2011	Carrasquillo .....	206/312
2003/0010815	A1	1/2003	Balzer	
2003/0039786	A1	2/2003	Milliorn et al.	
2004/0058114	A1	3/2004	Koch	
2004/0149603	A1	8/2004	Hodsdon	
2004/0247812	A1	12/2004	Milliorn et al.	
2006/0057324	A1	3/2006	Phillips et al.	
2006/0124237	A1	6/2006	Nordin et al.	
2009/0110863	A1	4/2009	Dangami	

FOREIGN PATENT DOCUMENTS

EP	1058665	12/2000
GB	2335410	9/1999
GB	2397290	7/2004
WO	2002-055396	7/2002
WO	2002-070359	9/2002
WO	2005-035269	4/2005

OTHER PUBLICATIONS

Filing Pocket; from: <https://www.totalofficesupplies.co.uk/catalog/31-filing-pockets-polypropylene-full-size-selfadhesive-a5-clear-ref-10085-pack-10-p9616.html>.

Self-Adhesive Pocket; from: <http://www.duraweld.co.uk/products-ranges.asp?ID-4>.

Office action dated May 6, 2010 from corresponding Canadian Application No. 134174.

Response dated Sep. 2, 2010 from corresponding Canadian Application No. 134174.

Design Registration dated Sep. 29, 2010 from related Canadian Application No. 134174.

Office action dated Jun. 8, 2011 from related Canadian Application No. 140709.

Response dated Sep. 22, 2011 from related Canadian Application No. 140709.

Notice of allowance dated Nov. 25, 2010 from related Mexican Application No. MX/f/2010/000505.

Office action dated Nov. 22, 2011 from related U.S. Appl. No. 29/379654.

\* cited by examiner

*Primary Examiner* — T. Chase Nelson

*Assistant Examiner* — Kathleen M Sims

(74) *Attorney, Agent, or Firm* — Patent Group, Law Department, Avery Dennison Corporation

(57) **CLAIM**

We claim the ornamental design for a pocket, as shown and described.

**DESCRIPTION**

FIG. 1 is a top perspective view of a first embodiment of a pocket showing our new design, the pocket in a closed configuration having a tab, a slot in the pocket's top surface, a flap

having a tongue inserted into the slot, and a region of adhesive that is covered with a piece of liner on the pocket's bottom surface.

FIG. 2 is a top perspective view of the pocket of FIG. 1 with the flap in a partially open configuration, the tongue removed from the slot, and the tongue slightly bent towards the slot.

FIG. 3 is a top perspective view of the pocket of FIG. 1 with the flap in an open configuration.

FIG. 4 is a bottom perspective view of the pocket of FIG. 1.

FIG. 5 is a bottom perspective view of the pocket of FIG. 1 with the piece of liner partially removed from the region of adhesive.

FIG. 6 is a top plan view of the pocket of FIG. 1.

FIG. 7 is a bottom plan view of the pocket of FIG. 1.

FIG. 8 is a front-edge elevational view of the pocket of FIG. 1.

FIG. 9 is a back-edge elevational view of the pocket of FIG. 1.

FIG. 10 is a left-side elevational view of the pocket of FIG. 1.

FIG. 11 is a right-side elevational view of the pocket of FIG. 1.

FIG. 12 is a top perspective view of a second embodiment of a pocket showing our new design, the pocket in a closed configuration having a tab, two slots in the pocket's top surface, a flap having two tongues with each tongue inserted into one of the slots, and a region of adhesive that is covered with a piece of liner on the pocket's bottom surface.

FIG. 13 is a top perspective view of the pocket of FIG. 12 with the flap in a partially open configuration, the tongues removed from the slots, and the tongues slightly bent towards the slots.

FIG. 14 is a top perspective view of the pocket of FIG. 12 with the flap in an open configuration.

FIG. 15 is a bottom perspective view of the pocket of FIG. 12.

FIG. 16 is a bottom perspective view of the pocket of FIG. 12 with the piece of liner partially removed from the region of adhesive.

FIG. 17 is a top plan view of the pocket of FIG. 12.

FIG. 18 is a bottom plan view of the pocket of FIG. 12.

FIG. 19 is a front-edge elevational view of the pocket of FIG. 12.

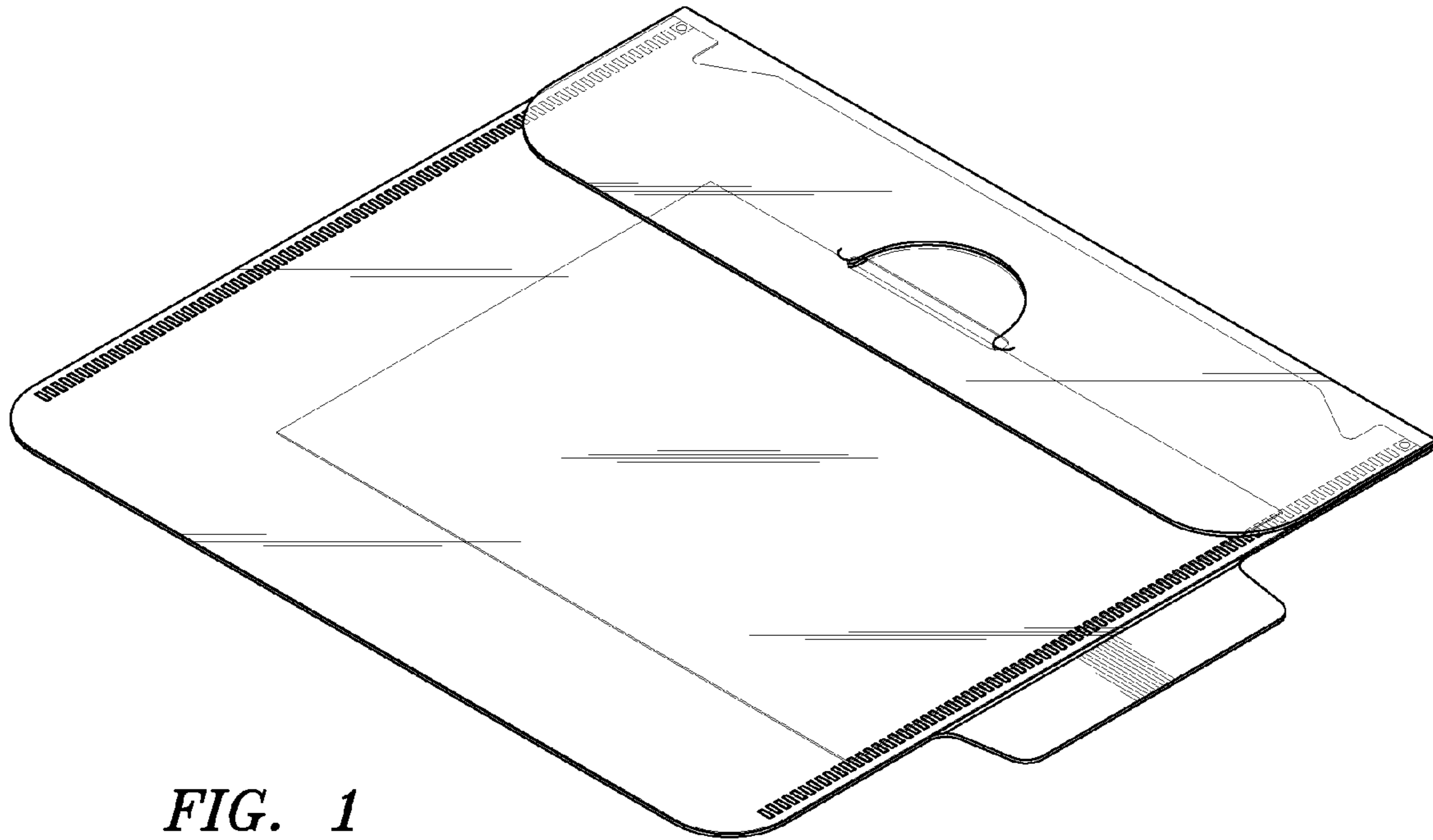
FIG. 20 is a back-edge elevational view of the pocket of FIG. 12.

FIG. 21 is a left-side elevational view of the pocket of FIG. 12; and,

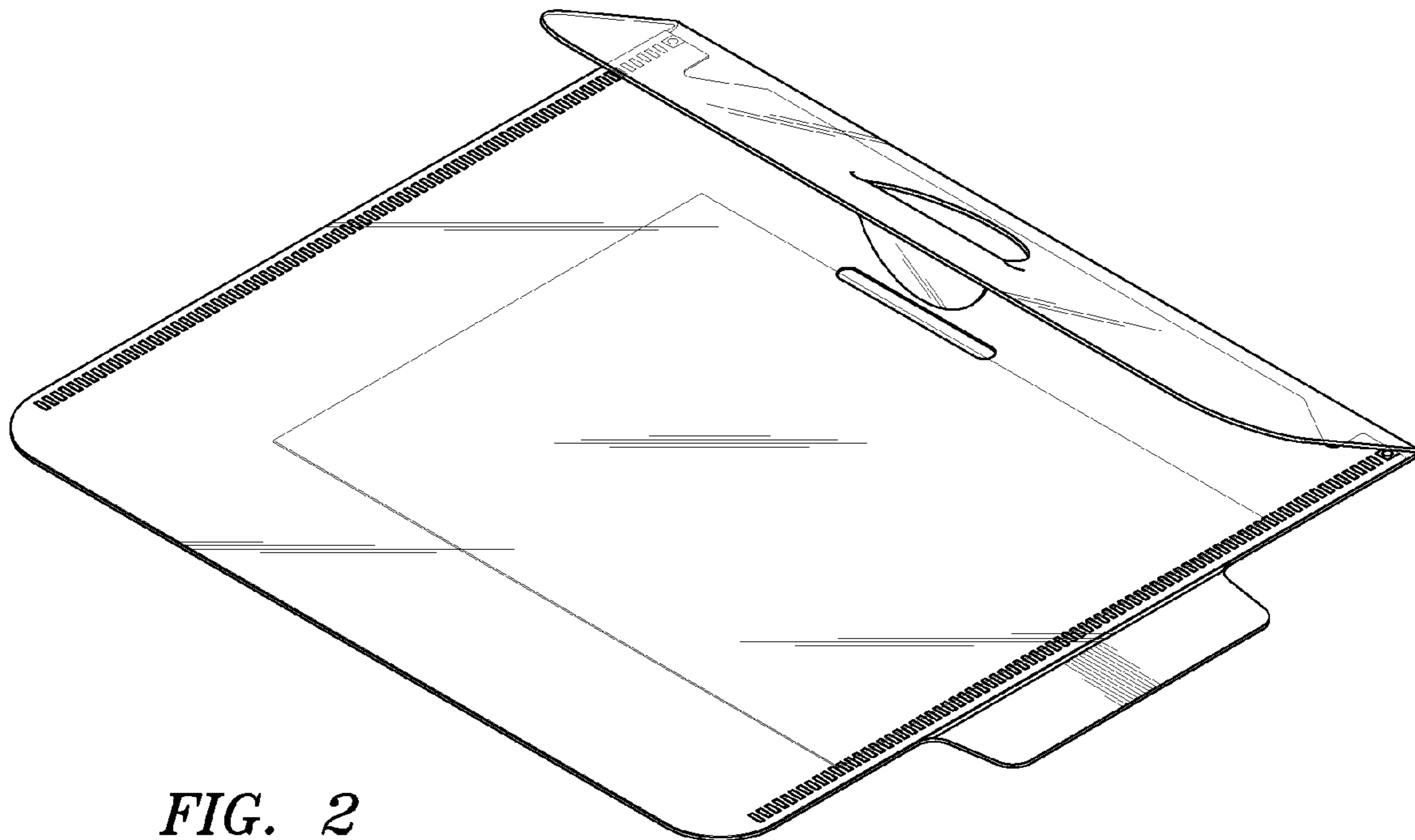
FIG. 22 is a right-side elevational view of the pocket of FIG. 13.

**1 Claim, 14 Drawing Sheets**





*FIG. 1*



*FIG. 2*

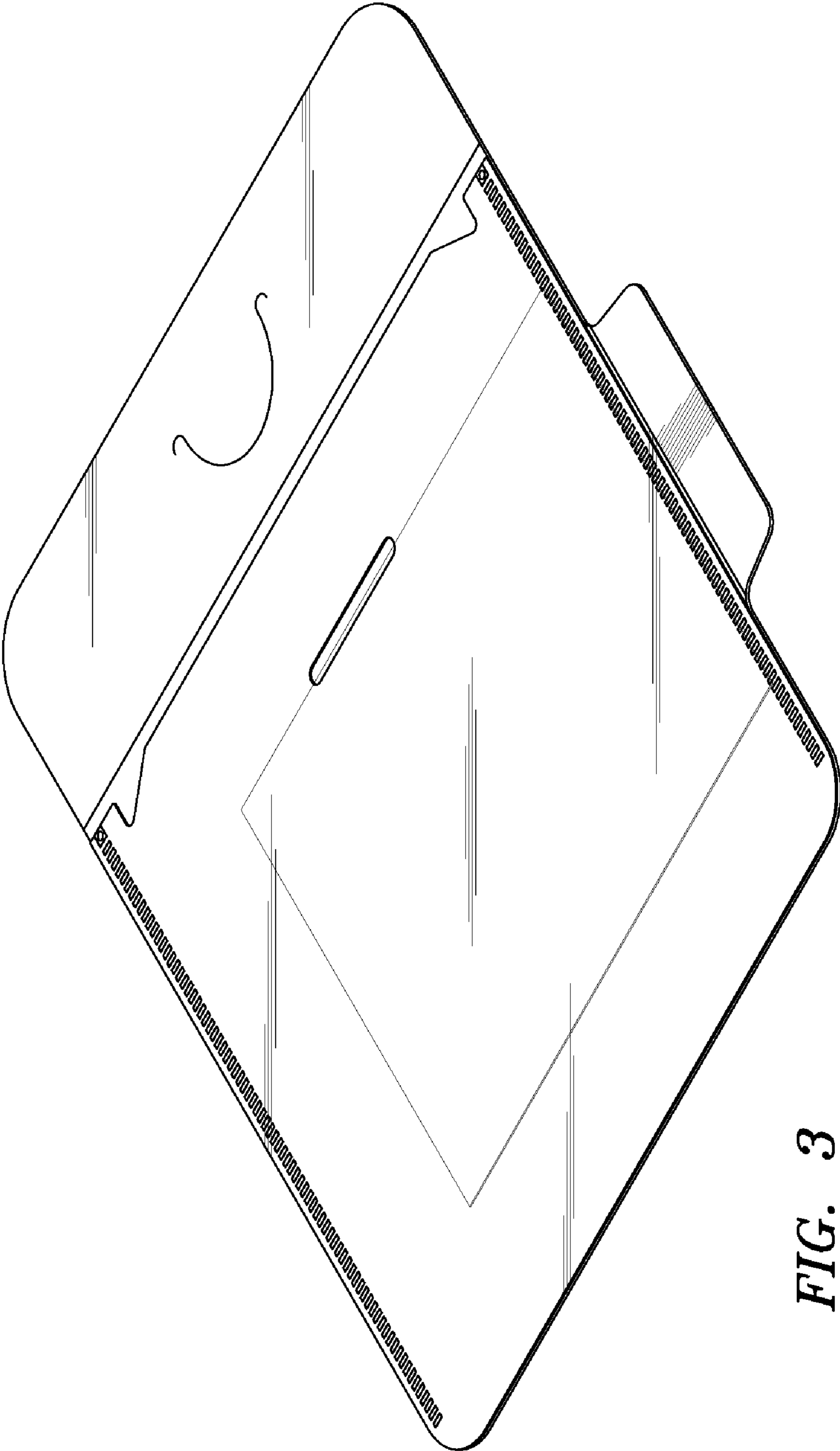
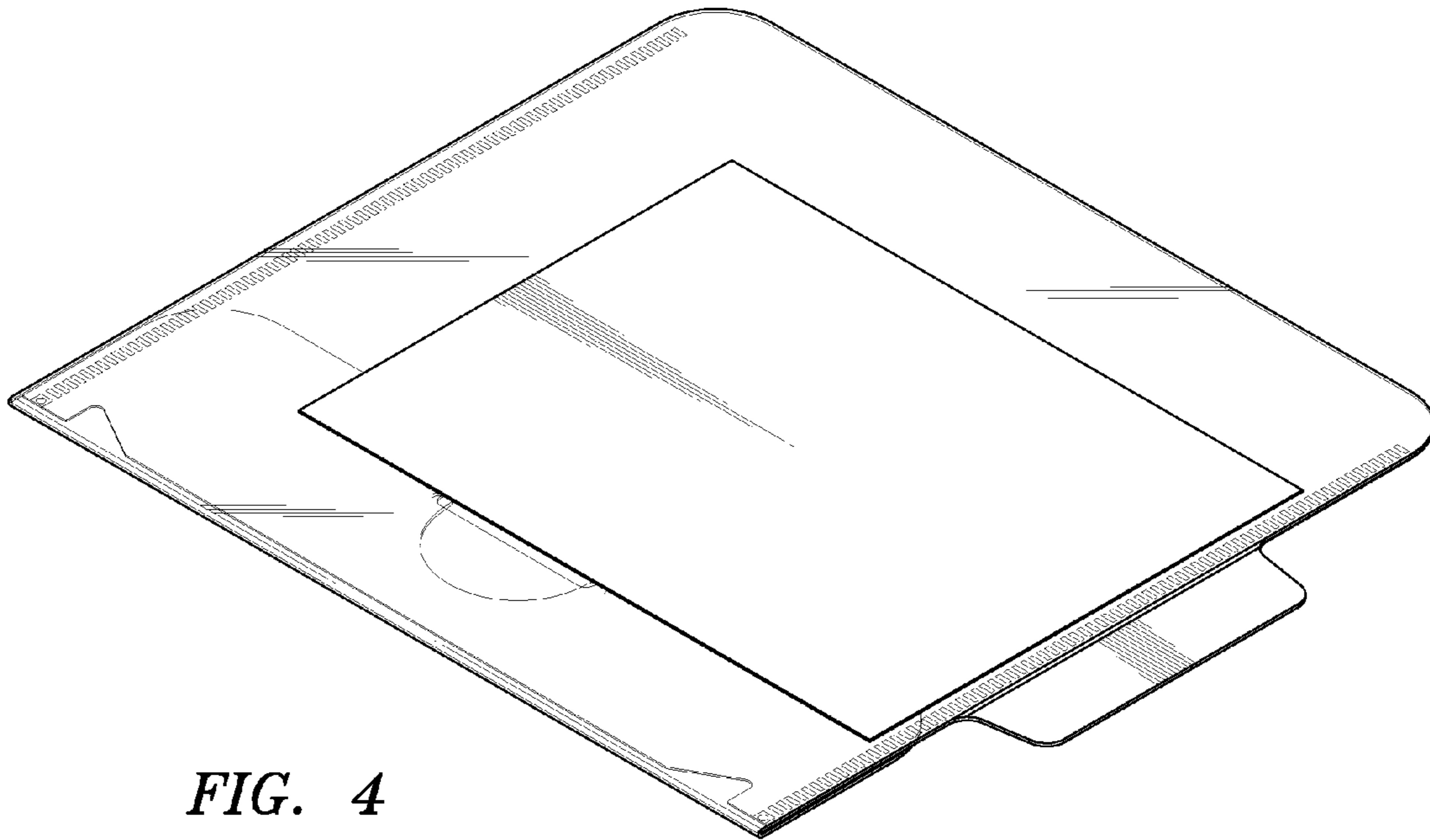
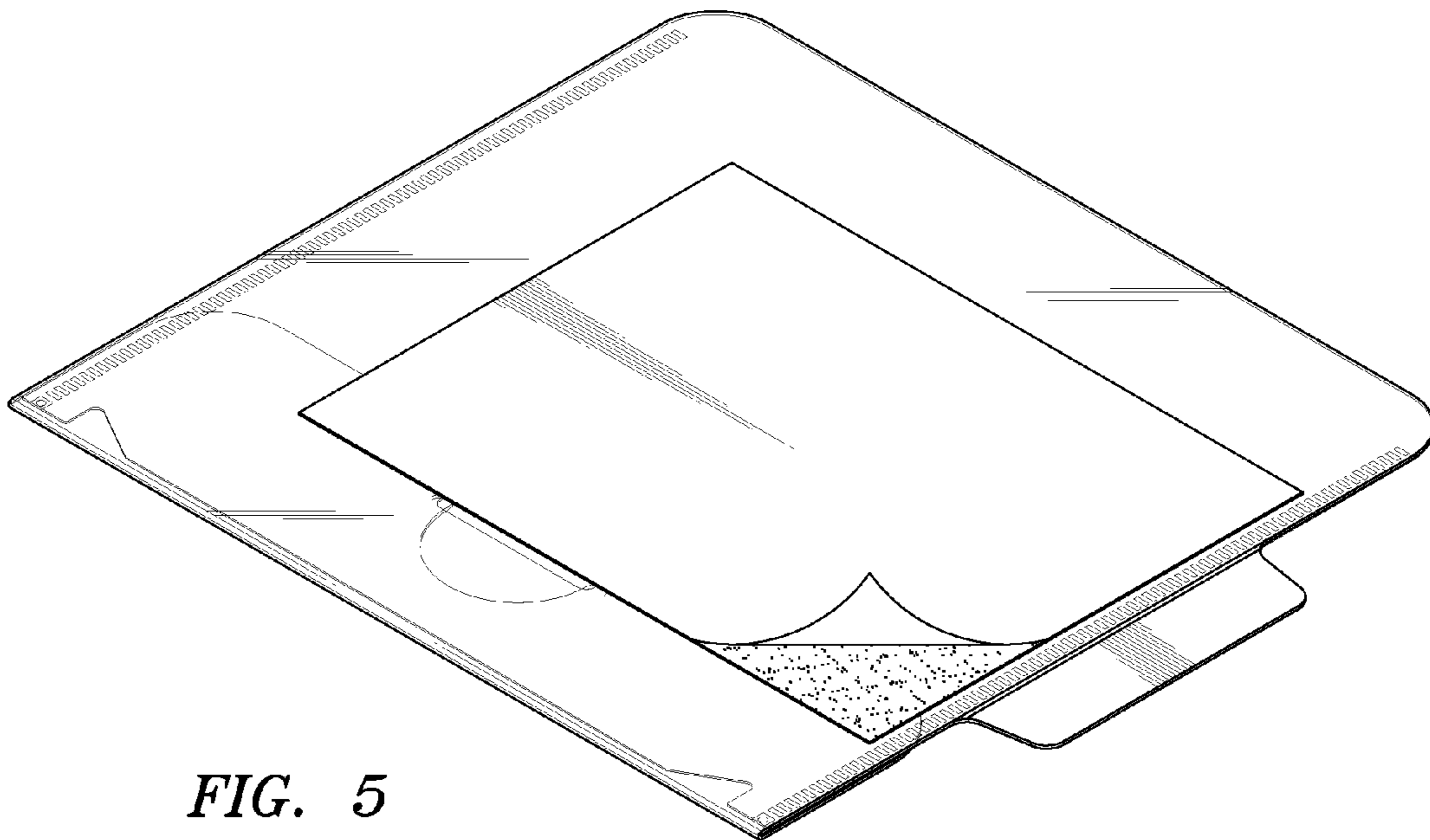


FIG. 3



*FIG. 4*



*FIG. 5*

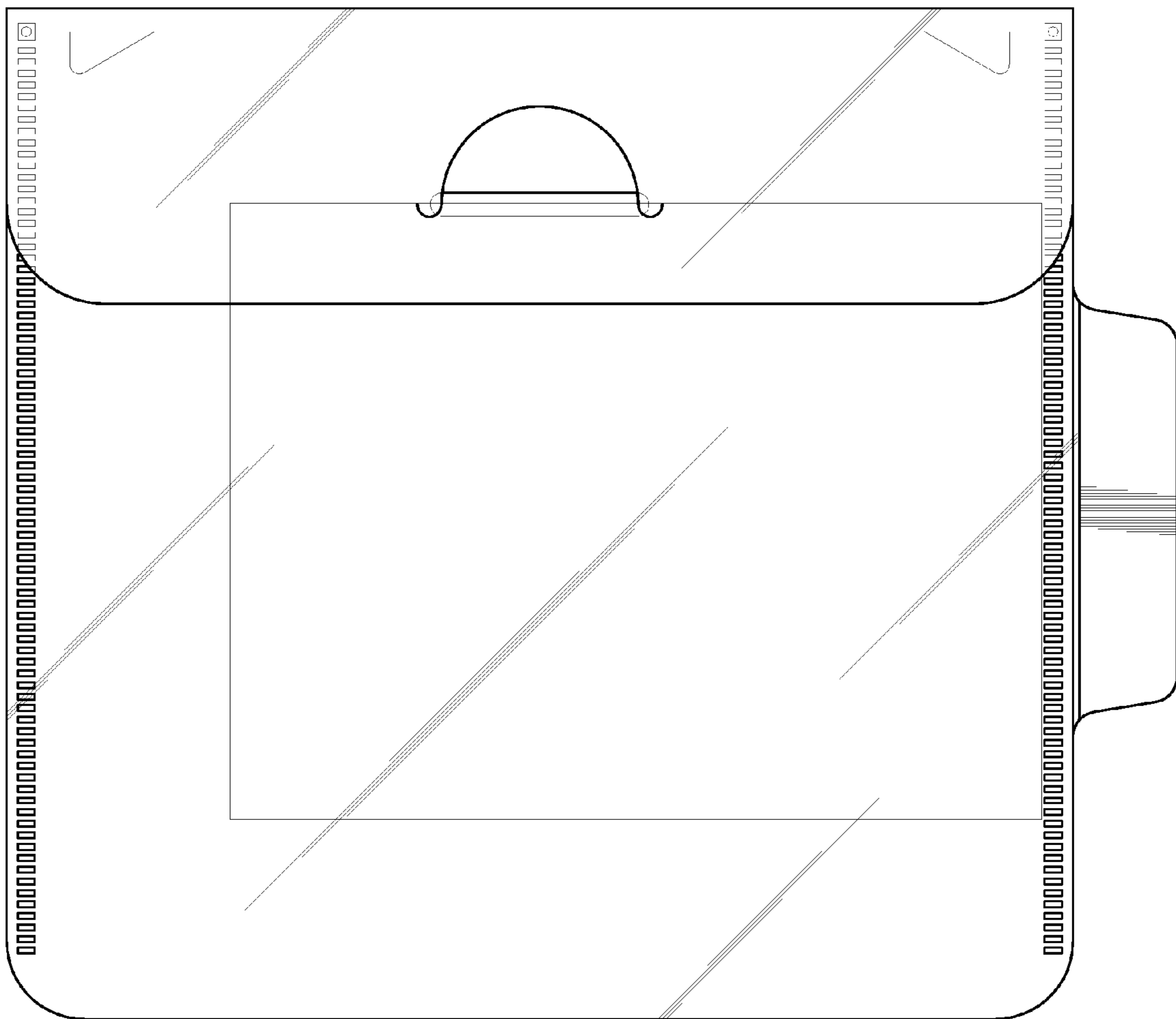


FIG. 6

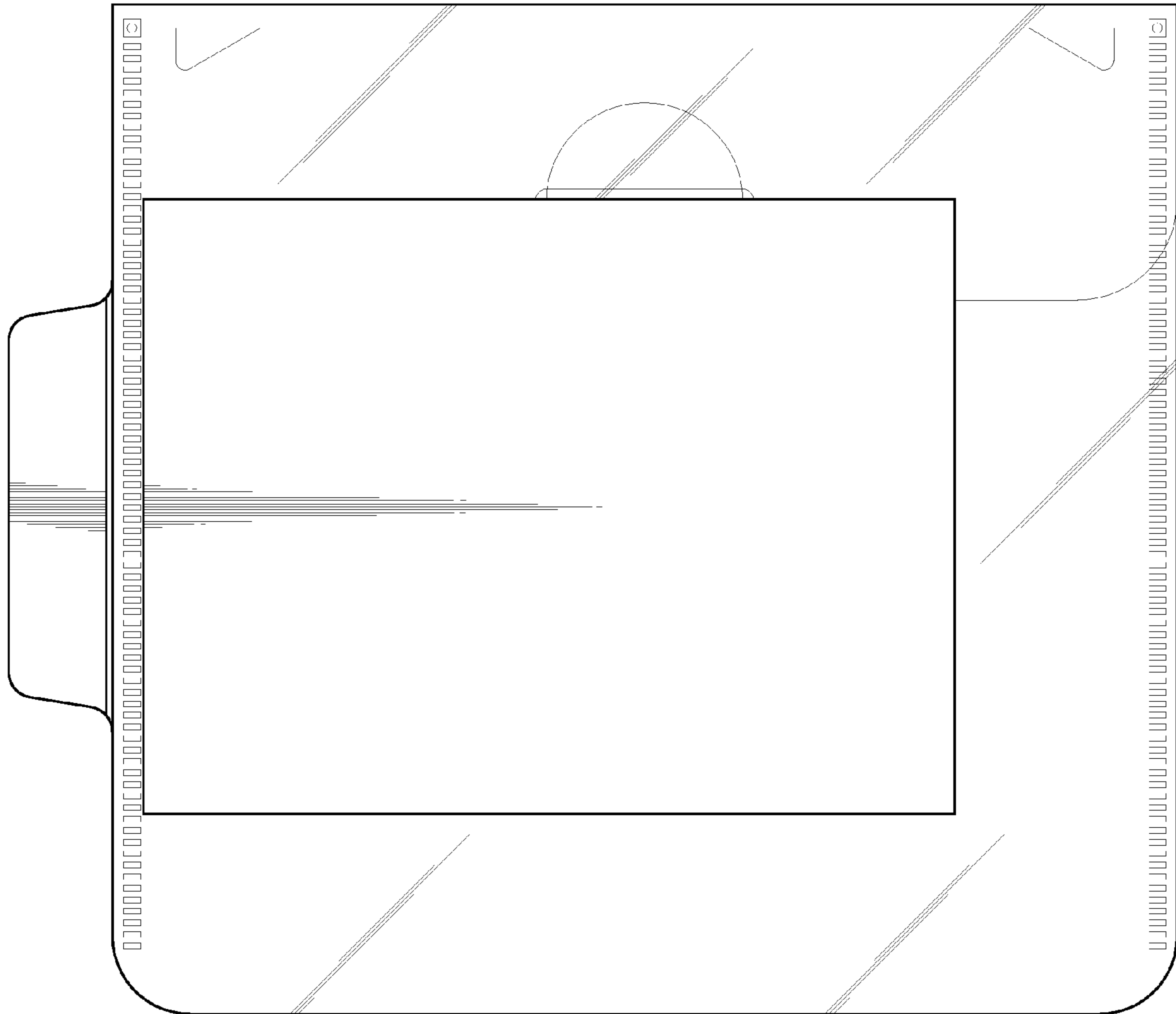


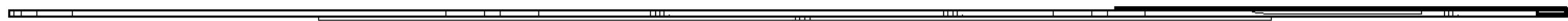
FIG. 7



*FIG. 8*



*FIG. 9*



*FIG. 10*



*FIG. 11*



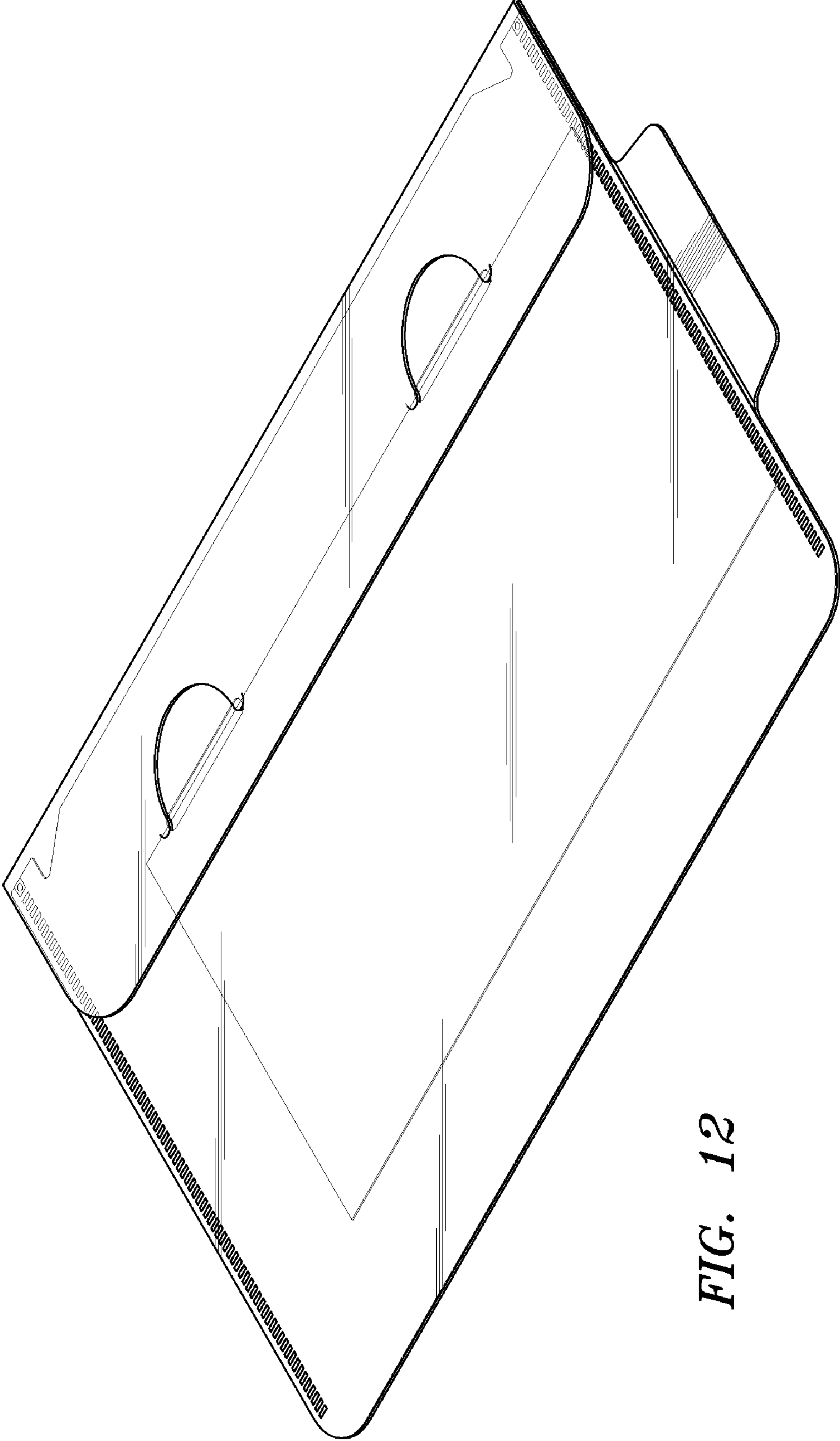


FIG. 12

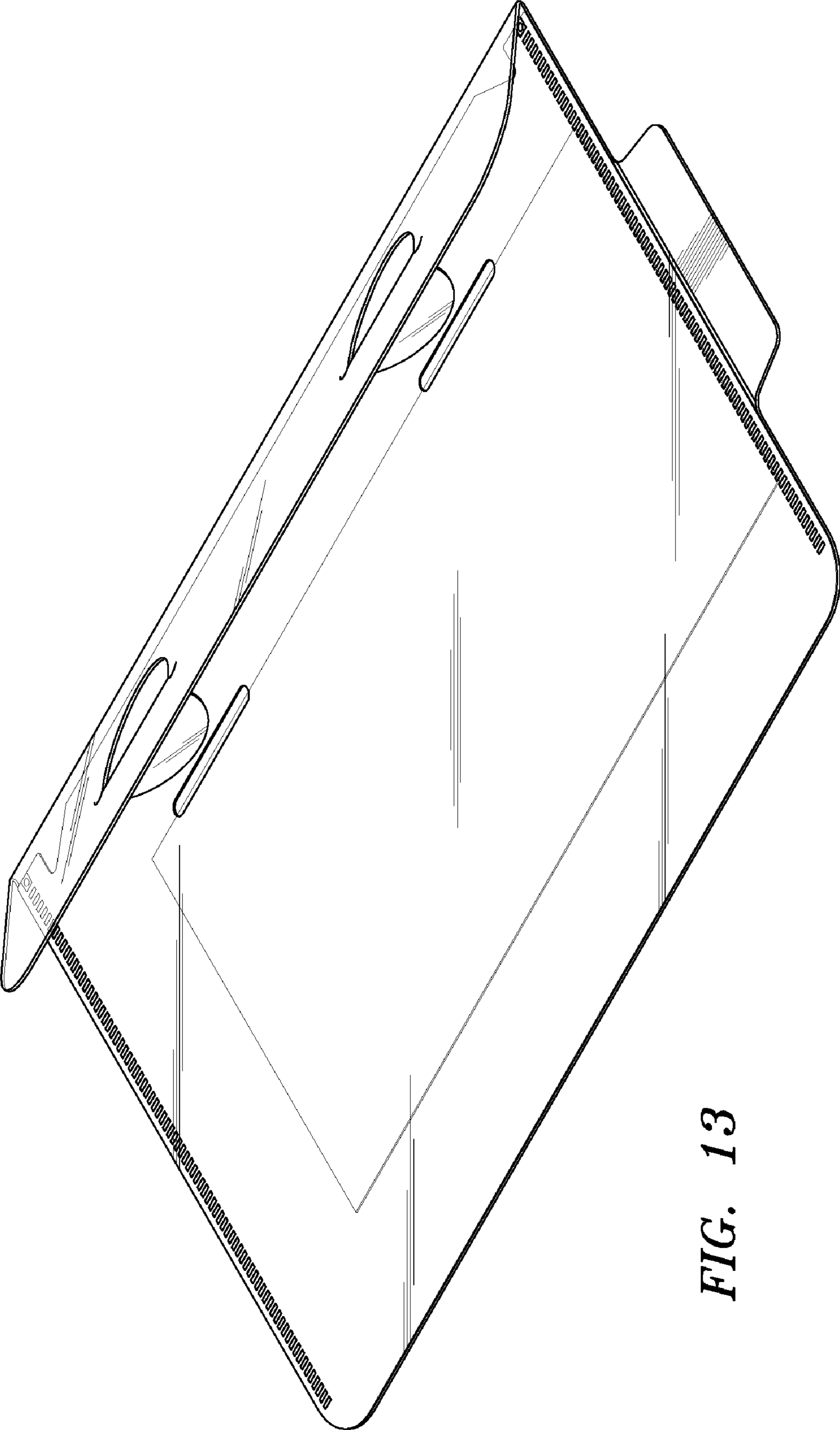


FIG. 13

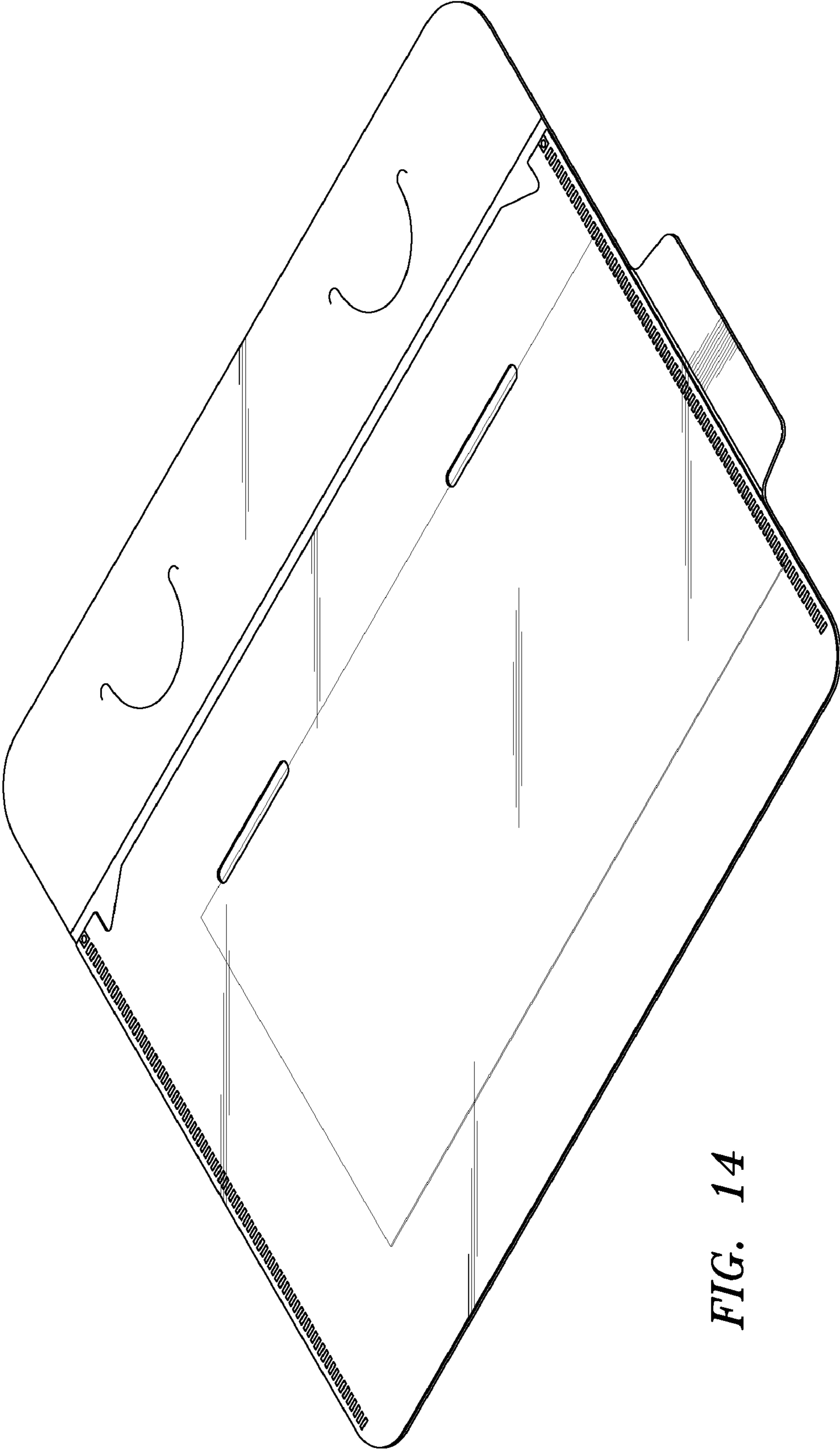
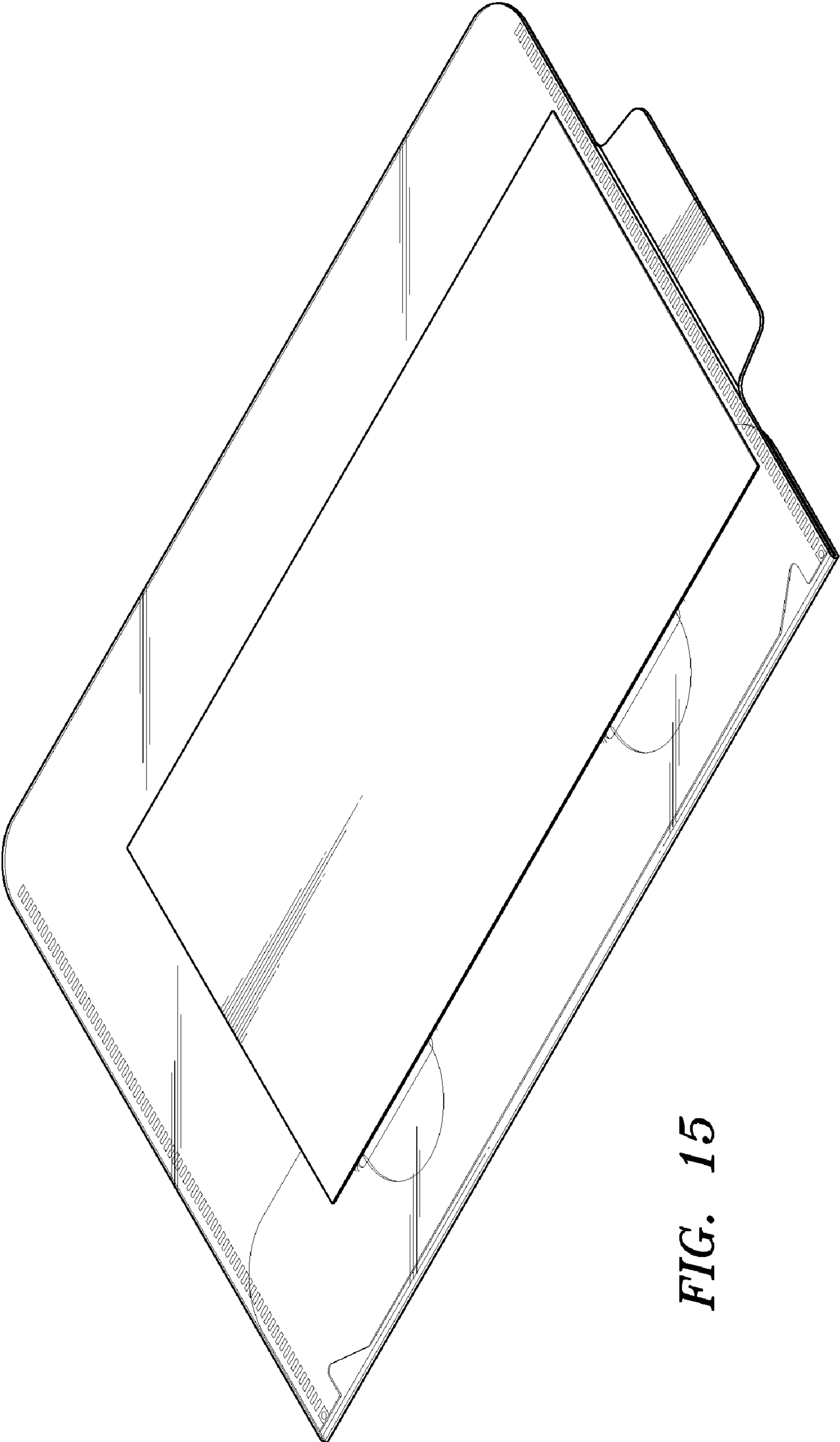


FIG. 14



**FIG. 15**



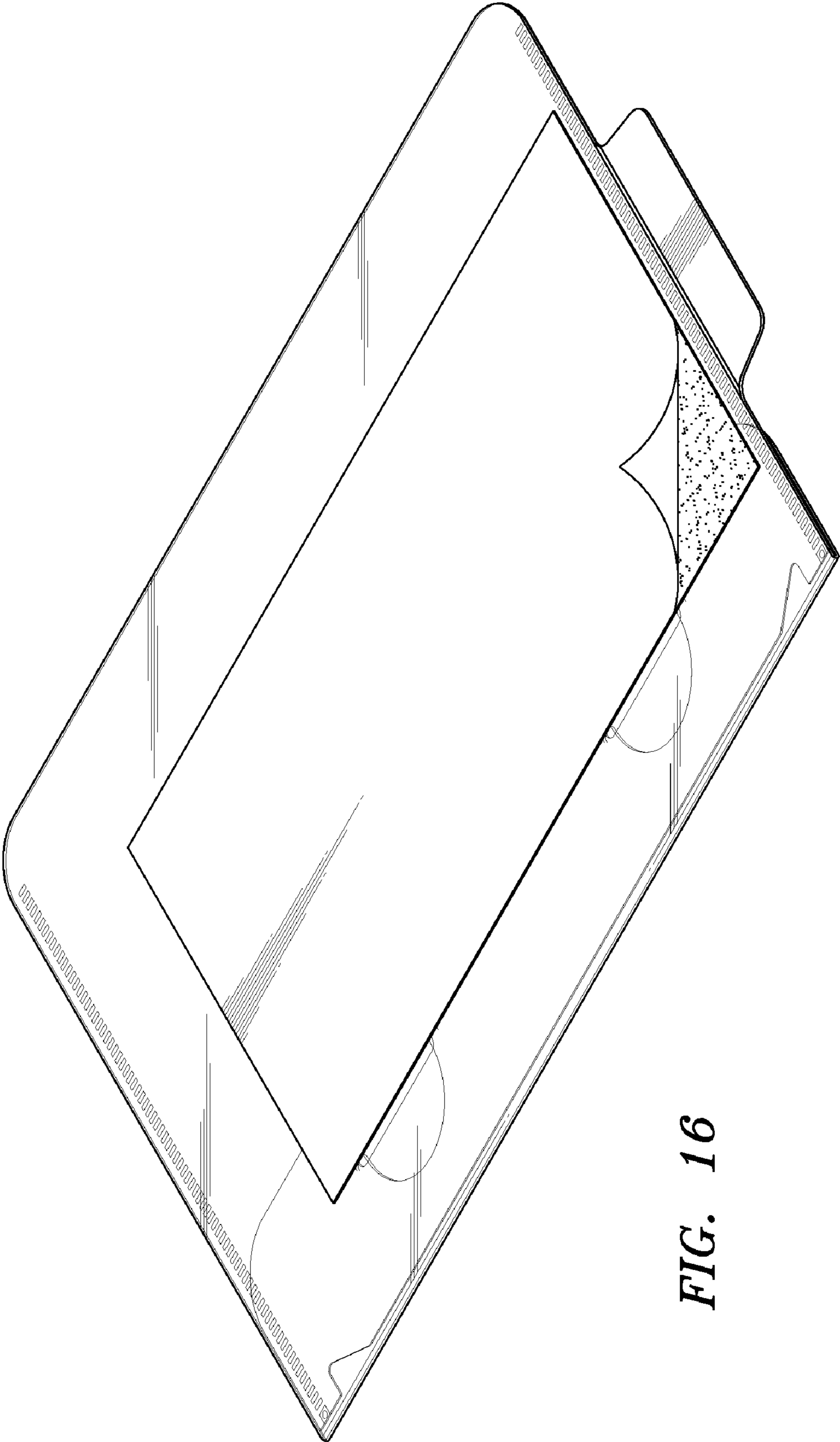


FIG. 16

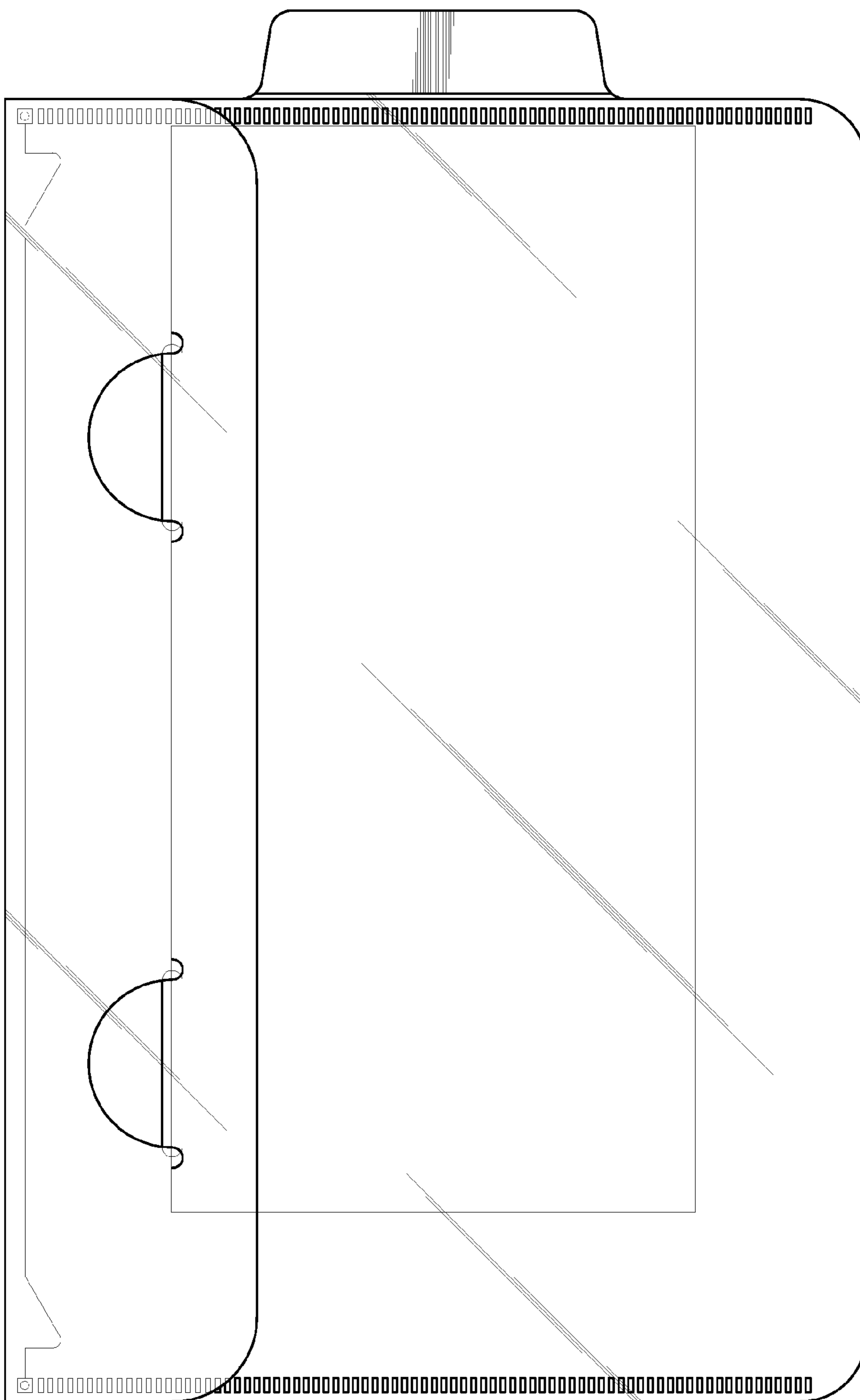
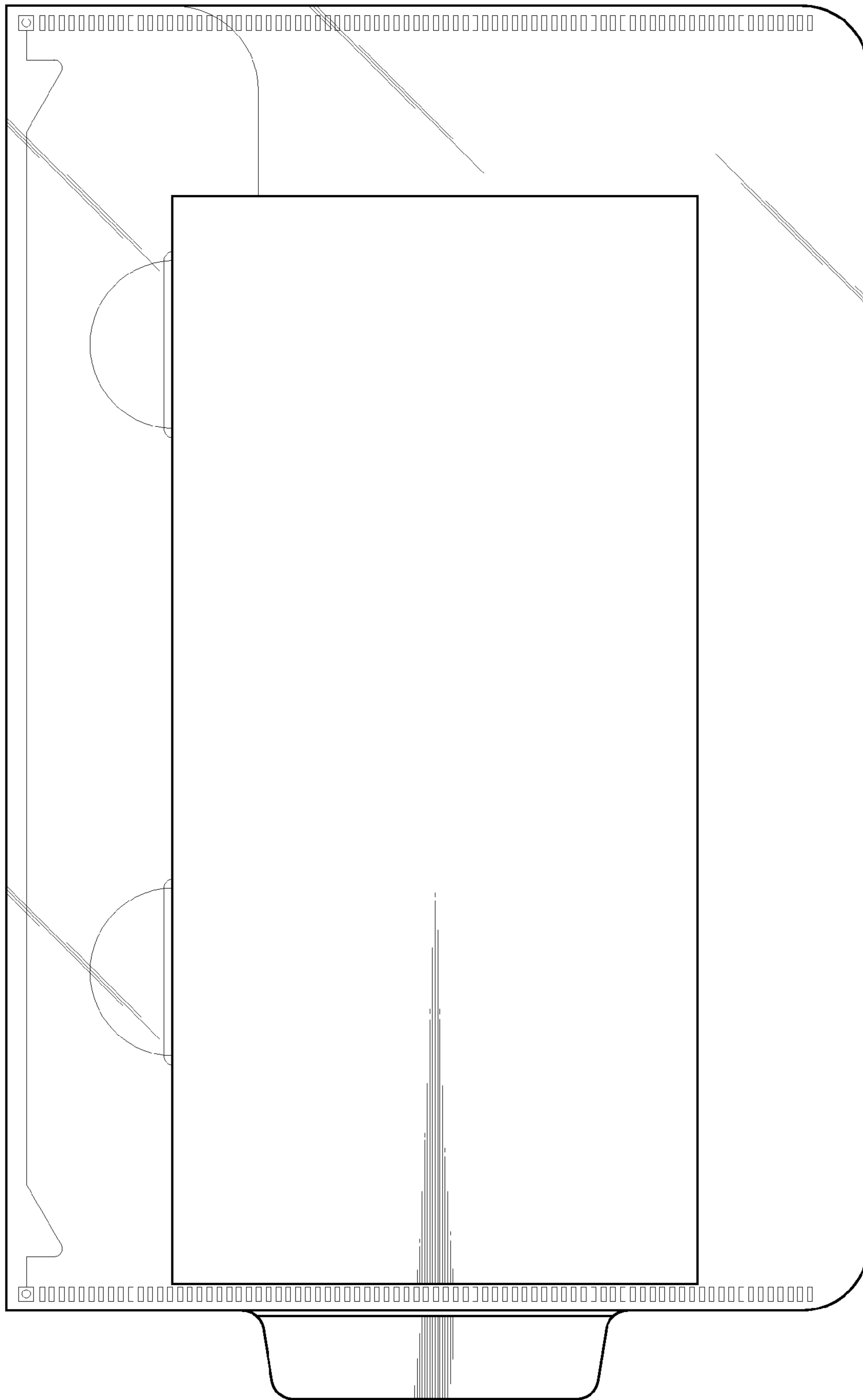


FIG. 17



*FIG. 18*



*FIG. 19*



*FIG. 20*



*FIG. 21*



*FIG. 22*