



US00D655750S

(12) **United States Design Patent**
Clegg et al.

(10) **Patent No.:** **US D655,750 S**
(45) **Date of Patent:** **** Mar. 13, 2012**

- (54) **VIDEO TRADING CARD**
- (75) Inventors: **Timothy P. Clegg**, Manhattan Beach, CA (US); **Michael D. Ronk**, Lawndale, CA (US)
- (73) Assignee: **Americhip, Inc.**, Los Angeles, CA (US)
- (**) Term: **14 Years**
- (21) Appl. No.: **29/388,716**
- (22) Filed: **Mar. 31, 2011**

Related U.S. Application Data

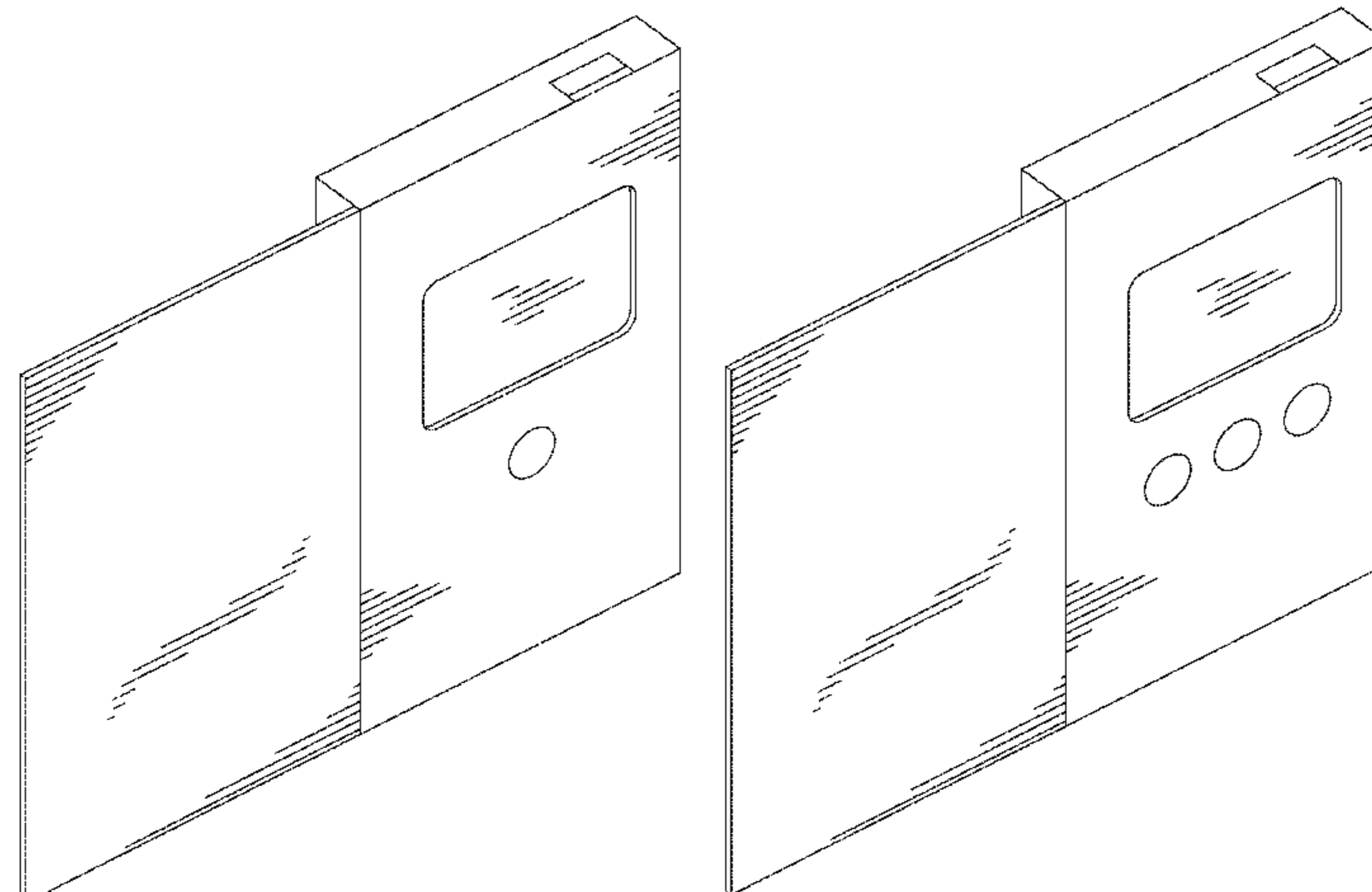
- (63) Continuation-in-part of application No. 29/385,684, filed on Feb. 17, 2011, now Pat. No. Des. 647,559, which is a continuation-in-part of application No. 29/368,489, filed on Aug. 24, 2010, now Pat. No. Des. 642,611, and a continuation-in-part of application No. 29/363,757, filed on Jun. 14, 2010, now Pat. No. Des. 629,458, and a continuation-in-part of application No. 12/413,343, filed on Mar. 27, 2009, now Pat. No. 8,011,122, and a continuation-in-part of application No. 12/263,277, filed on Oct. 31, 2008, and a continuation-in-part of application No. 12/199,740, filed on Aug. 27, 2008, now abandoned.
 - (51) **LOC (9) Cl.** **19-01**
 - (52) **U.S. Cl.** **D19/1**
 - (58) **Field of Classification Search** D19/1-10, D19/20-34, 86; 40/124.01-124.15, 672, 40/661, 726, 427, 436, 445-457, 463; 283/72, 283/74-75, 63.1; 206/449, 308.3, 472; D21/385; 229/92, 92.1, 300; 462/64-66, 17, 55; 345/87, 345/901; 434/317, 169, 362, 185, 308, 368; 281/3.1, 15.1, 19.1, 21.1, 29, 38; D14/371, D14/374, 435
- See application file for complete search history.

2,107,450 A	2/1938	Miller
2,298,601 A	5/1940	Tremblett
2,367,967 A	11/1942	Schwartz
2,543,670 A	2/1951	Regensburg
4,209,824 A	6/1980	Kaufman
4,231,034 A	10/1980	Bechteler
4,286,399 A	9/1981	Funahashi et al.
4,433,783 A	2/1984	Dickinson
4,607,747 A	8/1986	Steiner
4,611,262 A	9/1986	Galloway et al.
4,614,266 A	9/1986	Moorhead
4,656,469 A	4/1987	Oliver
4,703,573 A	11/1987	Montgomery et al.
4,791,741 A	12/1988	Kondo
4,847,124 A	7/1989	Lux nee Andrieux
4,855,725 A	8/1989	Fernandez
4,866,865 A	9/1989	Yang
5,063,698 A	11/1991	Johnson et al.
5,230,501 A	7/1993	Melton
5,245,171 A	9/1993	Fox et al.
5,275,285 A	1/1994	Clegg
5,416,310 A	5/1995	Little
5,419,705 A	5/1995	Sandvik
5,452,269 A	9/1995	Cherdak
5,463,725 A	10/1995	Henckel
5,520,544 A	5/1996	Manico et al.
5,534,888 A	7/1996	Lebby et al.
5,577,918 A	11/1996	Crowell
5,652,606 A	7/1997	Sasaki et al.
5,761,836 A	6/1998	Dawson
5,778,574 A	7/1998	Reuben
5,815,954 A	10/1998	Huang
5,845,218 A	12/1998	Altschul
5,860,065 A	1/1999	Hsu
5,901,484 A	5/1999	Seder
5,912,653 A	6/1999	Fitch
6,030,089 A	2/2000	Parker
6,064,855 A	5/2000	Ho
6,104,306 A	8/2000	Hogue et al.
6,126,201 A	10/2000	Pace et al.
6,226,959 B1	5/2001	Krasuski et al.
6,279,170 B1	8/2001	Chu
6,286,873 B1	9/2001	Seder
6,369,793 B1	4/2002	Parker
6,445,347 B1	9/2002	Yoshimi
6,525,706 B1	2/2003	Rehkemper et al.
6,573,880 B1	6/2003	Simoni
6,591,523 B2	7/2003	Pines
6,693,515 B2	2/2004	Clapper
6,754,344 B2	6/2004	Kohli et al.
6,788,283 B1	9/2004	Blotky
6,895,261 B1	5/2005	Palamides
7,367,564 B2	5/2005	Seig

(56) **References Cited**

U.S. PATENT DOCUMENTS

- 0,190,588 A 5/1877 Holding
- 1,141,172 A 6/1915 Clark



6,905,019	B2	6/2005	Lacomis	
6,985,135	B2	1/2006	Sugimoto	
7,058,163	B1	6/2006	Parekh et al.	
7,127,841	B1	10/2006	Weber	
7,151,541	B2	12/2006	Seder	
7,181,300	B2	2/2007	Robbins	
7,240,442	B2	7/2007	Clegg	
7,242,315	B2	7/2007	Affolter	
7,278,570	B2	10/2007	McGee et al.	
7,278,584	B1	10/2007	Gandel et al.	
7,331,132	B1	2/2008	Seder	
7,336,788	B1	2/2008	Hendricks	
7,356,950	B1	4/2008	Avery	
7,396,049	B2	7/2008	Nelson	
7,429,965	B2	9/2008	Weiner	
7,436,318	B2	10/2008	Affolter	
D580,973	S	11/2008	Turner et al.	
D591,341	S	4/2009	Fagan	
7,634,864	B2	12/2009	Segan	
D616,929	S	6/2010	Krivanek et al.	
7,802,386	B2	9/2010	Mandelbaum et al.	
D629,459	S *	12/2010	Clegg et al.	D19/1
D642,611	S *	8/2011	Clegg et al.	D19/1
D647,559	S *	10/2011	Clegg et al.	D19/1
D649,589	S *	11/2011	Clegg et al.	D19/1
2001/0040560	A1	11/2001	Amron	
2001/0043194	A1	11/2001	Amron	
2003/0182827	A1	10/2003	Youngdahl	
2004/0066915	A1	4/2004	Turner et al.	
2004/0150983	A1	8/2004	Sexton	
2004/0248073	A1	12/2004	Pinkerman et al.	
2005/0011776	A1	1/2005	Nagel	
2005/0108773	A1	5/2005	Jung et al.	
2005/0119023	A1	6/2005	Sudo et al.	
2005/0194434	A1	9/2005	Trent, Jr.	
2005/0270280	A1	12/2005	Riback	
2005/0271354	A1	12/2005	Yeh	
2006/0134591	A1	6/2006	Karat	
2007/0069883	A1	3/2007	Collier, Jr.	
2007/0171278	A1	7/2007	Chen	
2007/0215694	A1	9/2007	Clegg	
2008/0010871	A1	1/2008	Holmes	
2008/0289230	A1	11/2008	Mandelbaum et al.	
2009/0027566	A1	1/2009	Wargon	
2009/0211126	A1	8/2009	Oh	
2009/0238544	A1	9/2009	Orsini	
2010/0005377	A1	1/2010	Batan	
2010/0250255	A1	9/2010	Stern	

OTHER PUBLICATIONS

International Search Report dated Sep. 1, 2009 from related PCT Appl. Ser. No. PCT/US2009/049579.
 Non-Final Office Action issued in corresponding U.S. Appl. No. 12/199,740, Notification Date: Jun. 24, 2010.
 Response to Non-Final Office Action filed in corresponding U.S. Appl. No. 12/199,740, filed Aug. 24, 2010.
 Final Office Action issued in corresponding U.S. Appl. No. 12/199,740, Notification Date: Nov. 15, 2010.
 Non-Final Office Action issued in corresponding U.S. Appl. No. 12/263,277, Notification Date: Dec. 10, 2010.

Non-Final Office Action issued in corresponding U.S. Appl. No. 12/413,343, Notification Date: Dec. 3, 2010.

* cited by examiner

Primary Examiner — Caron D Veynar
Assistant Examiner — Abraham Bahta
 (74) *Attorney, Agent, or Firm* — Jeffer Mangels Butler & Mitchell LLP

(57) **CLAIM**

The ornamental design for a video trading card, as shown and described.

DESCRIPTION

FIG. 1 is a perspective view of a first embodiment of the video trading card showing our new design;
 FIG. 2 is a top plan view thereof;
 FIG. 3 is a left side elevational view thereof;
 FIG. 4 is a right side elevational view thereof;
 FIG. 5 is a bottom plan view thereof;
 FIG. 6 is a top elevational view thereof;
 FIG. 7 is a bottom elevational view thereof;
 FIG. 8 is a perspective view of a second embodiment of the video trading card;
 FIG. 9 is a top plan view thereof;
 FIG. 10 is a left side elevational view thereof;
 FIG. 11 is a right side elevational view thereof;
 FIG. 12 is a bottom plan view thereof;
 FIG. 13 is a top elevational view thereof;
 FIG. 14 is a bottom elevational view thereof;
 FIG. 15 is a perspective view of a third embodiment of the video trading card;
 FIG. 16 is a top plan view thereof;
 FIG. 17 is a left side elevational view thereof;
 FIG. 18 is a right side elevational view thereof;
 FIG. 19 is a bottom plan view thereof;
 FIG. 20 is a top elevational view thereof;
 FIG. 21 is a bottom elevational view thereof;
 FIG. 22 is a perspective view of a fourth embodiment of the video trading card;
 FIG. 23 is a top plan view thereof;
 FIG. 24 is a left side elevational view thereof;
 FIG. 25 is a right side elevational view thereof;
 FIG. 26 is a bottom plan view thereof;
 FIG. 27 is a top elevational view thereof; and,
 FIG. 28 is a bottom elevational view thereof.
 The shading shown in the drawings are for illustrative purposes only and form no part of the claimed design.

1 Claim, 20 Drawing Sheets

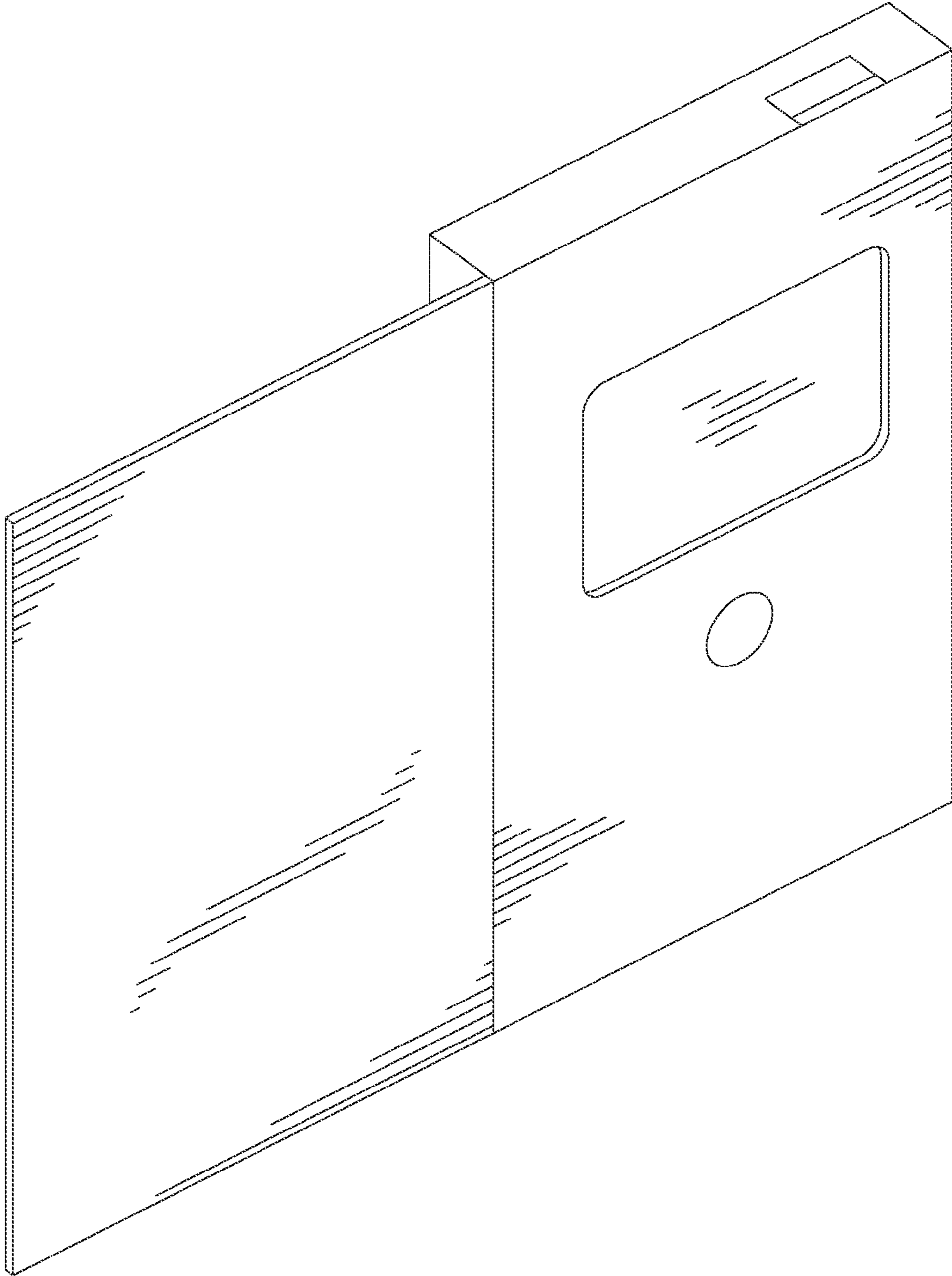


Fig 1

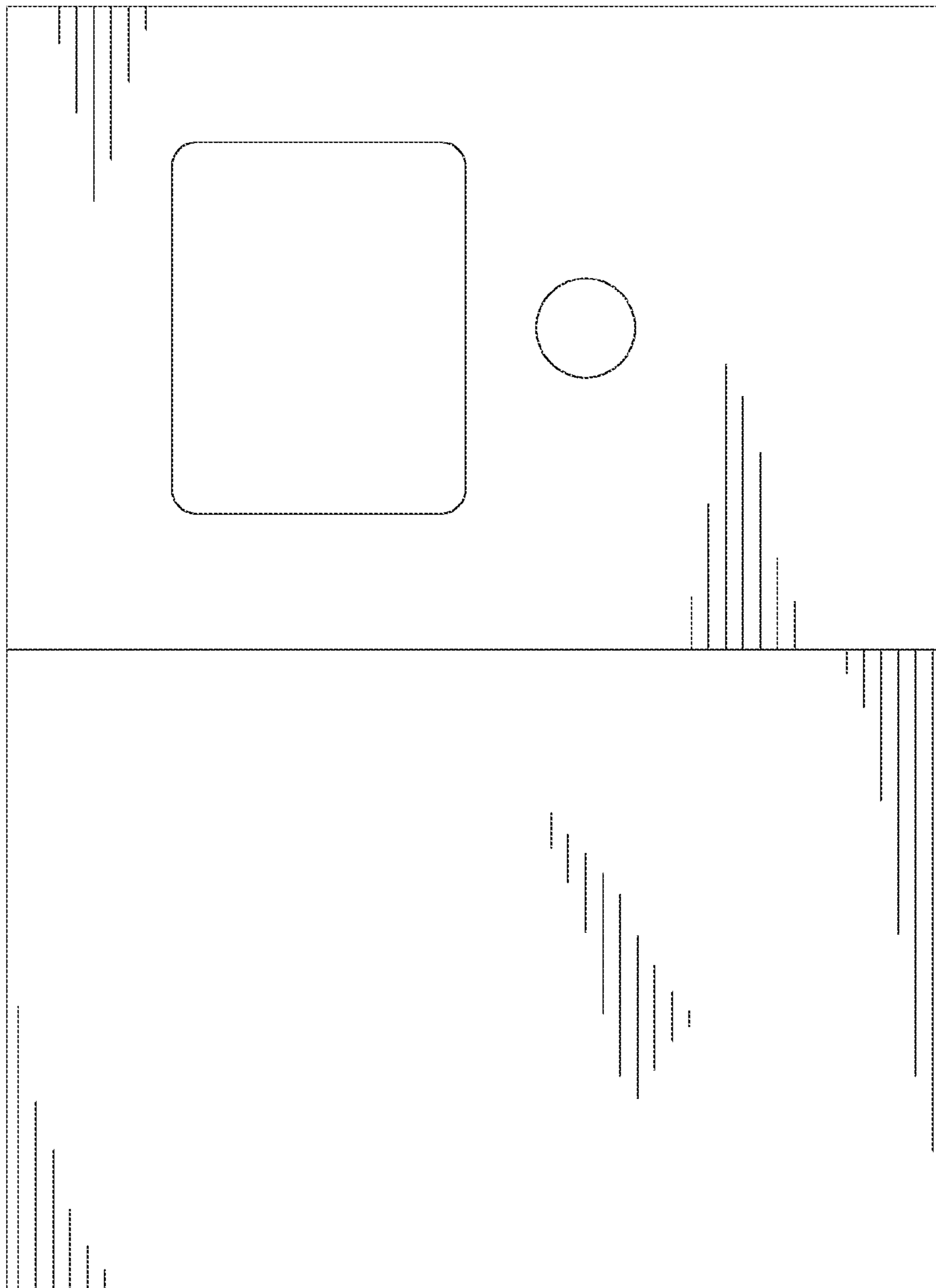


Fig 2



Fig 3

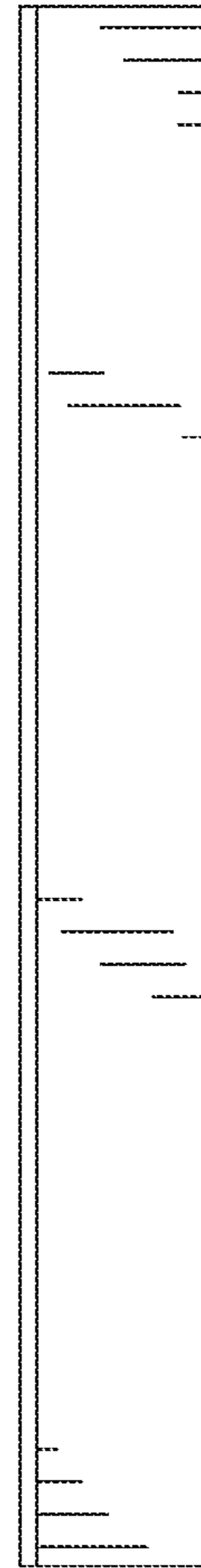


Fig 4

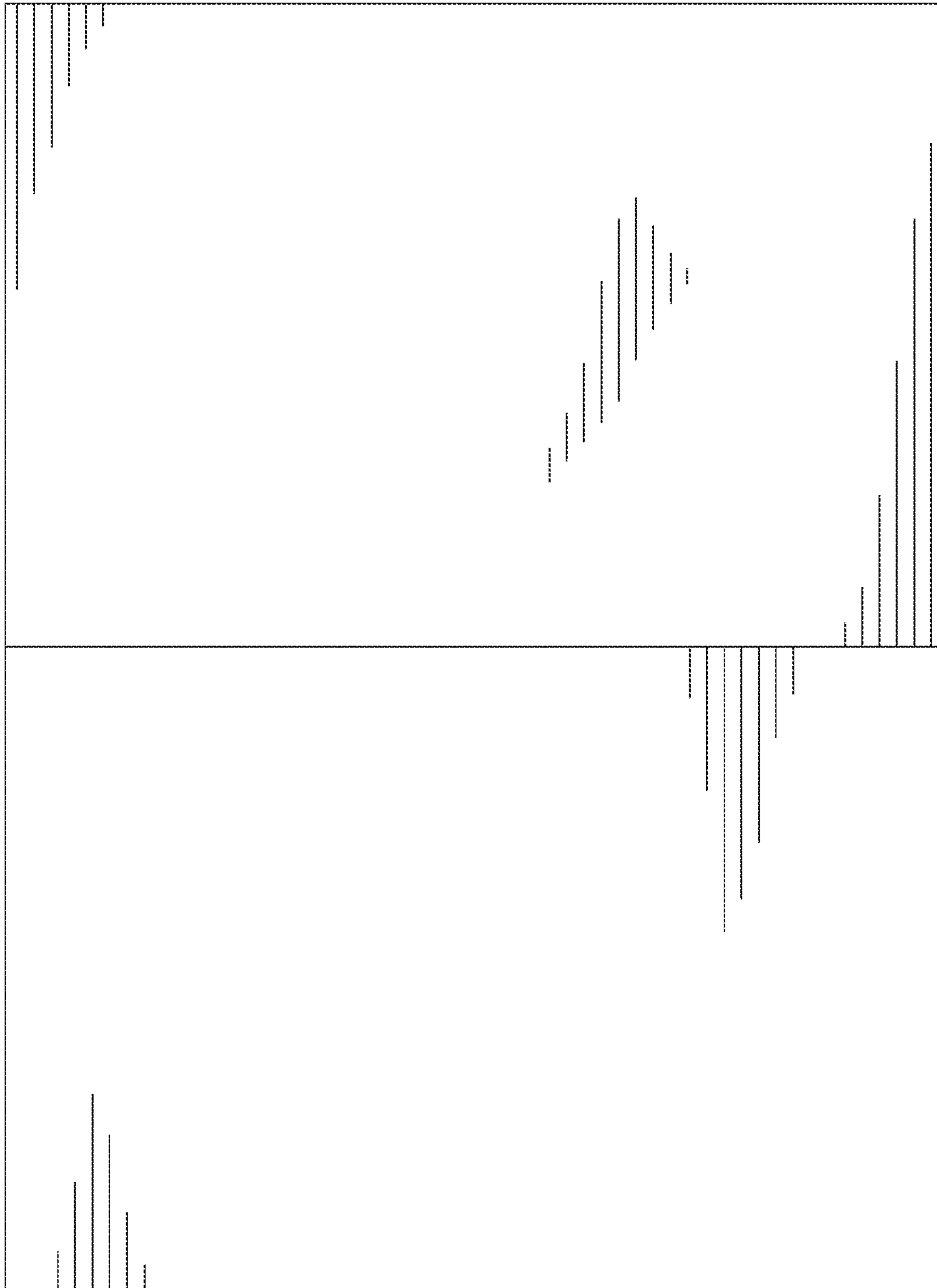


Fig 5

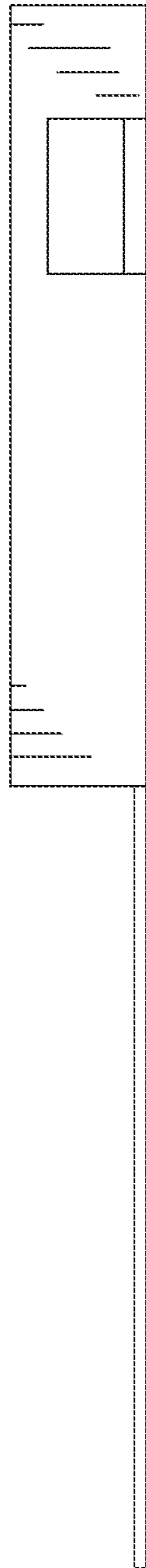


Fig 6

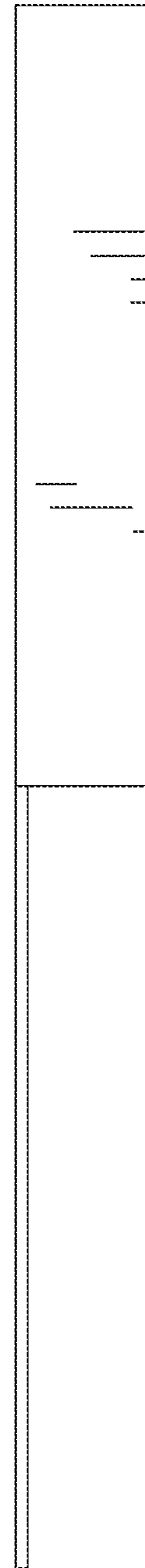


Fig 7

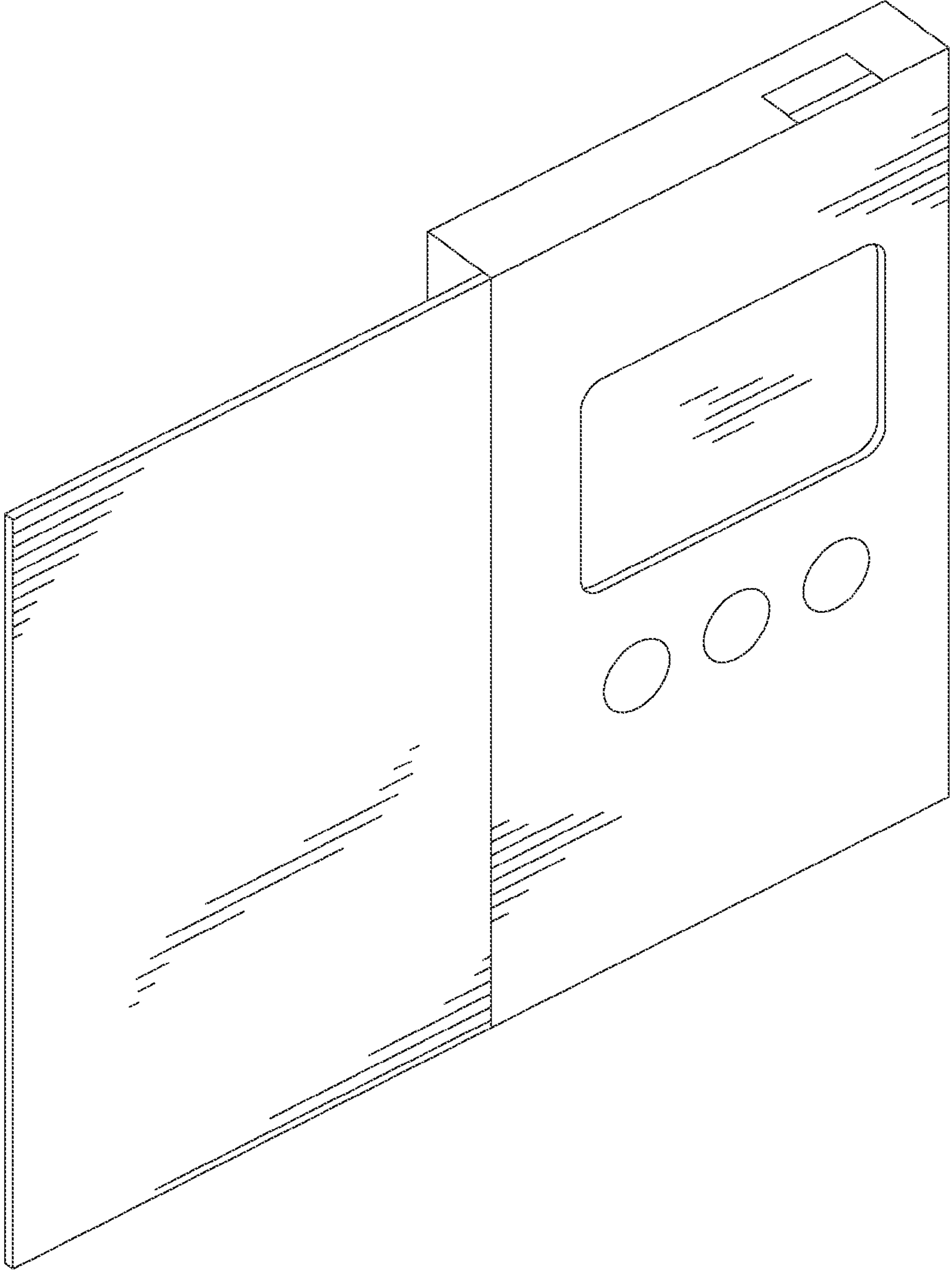


Fig 8

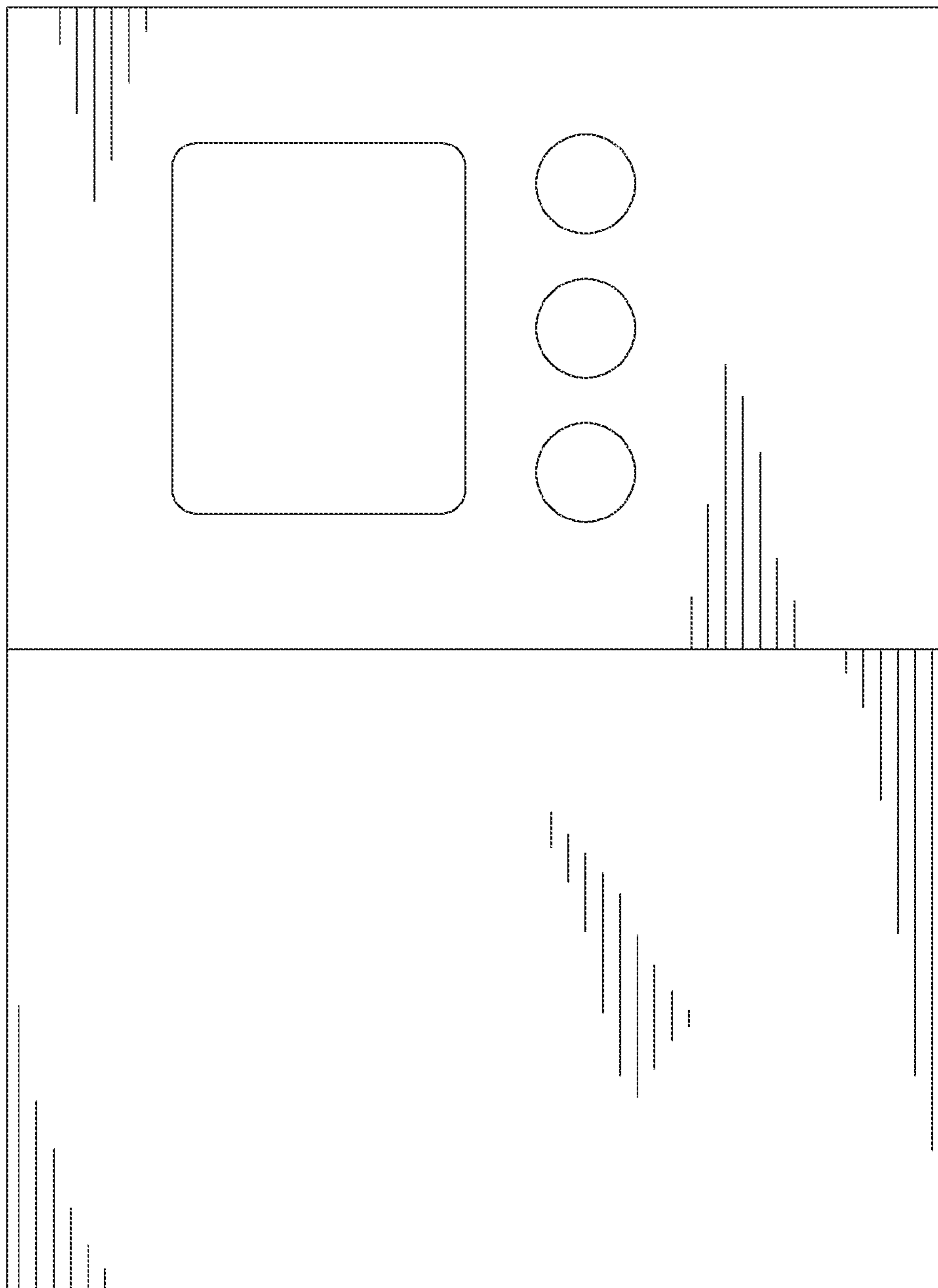


Fig 9

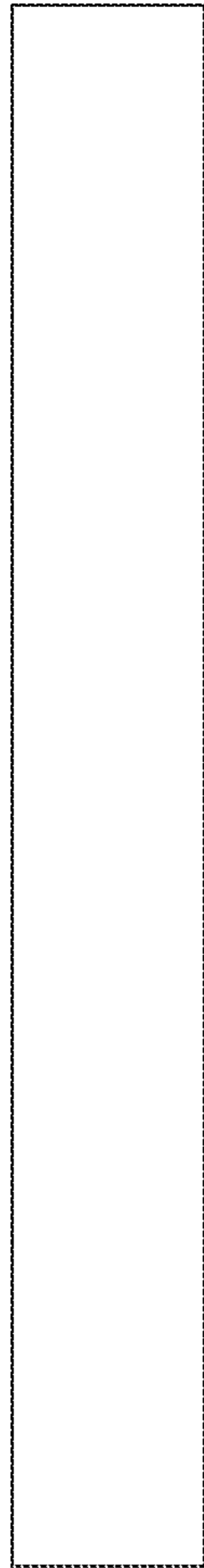


Fig 10



Fig 11

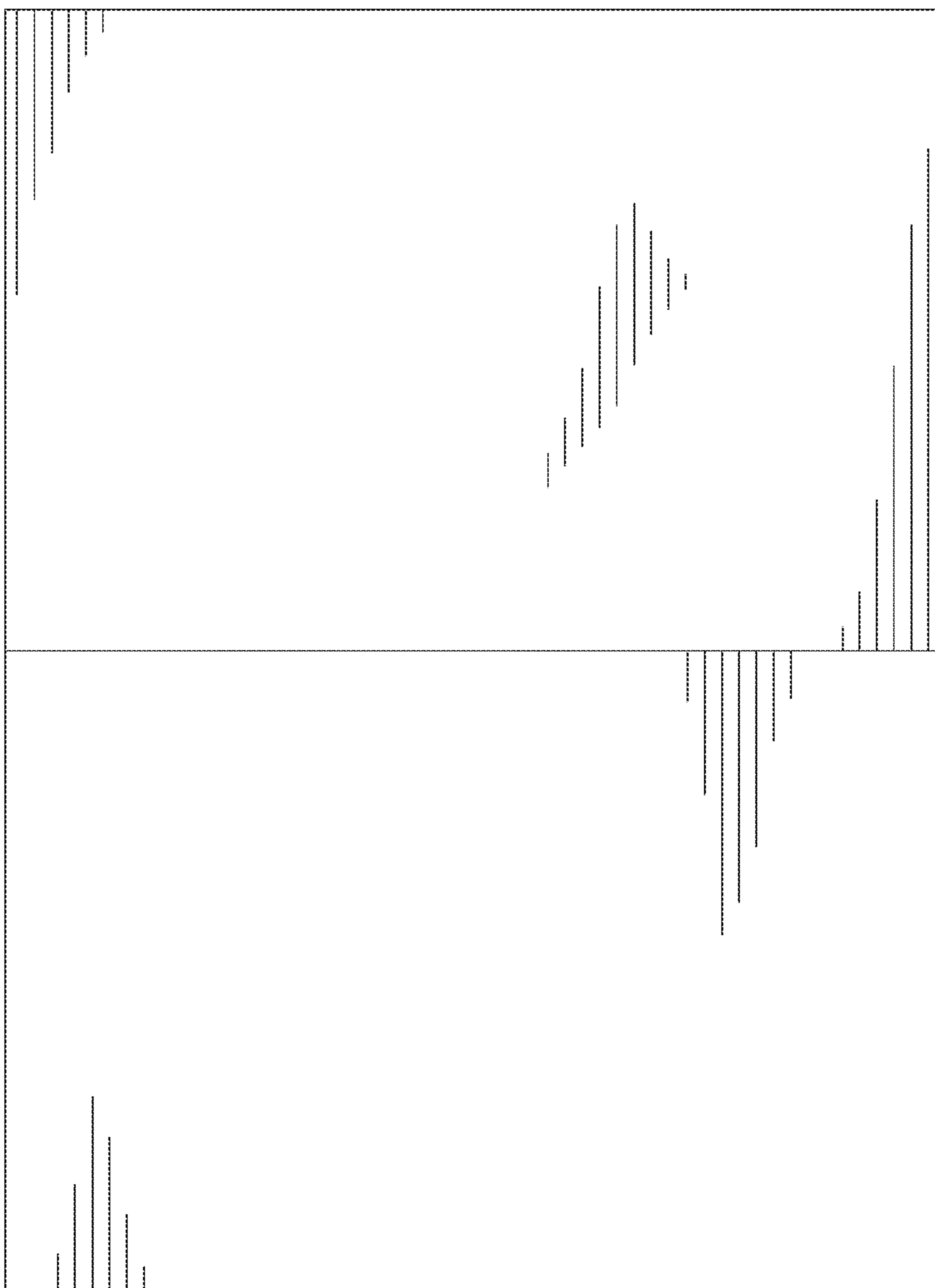


Fig 12

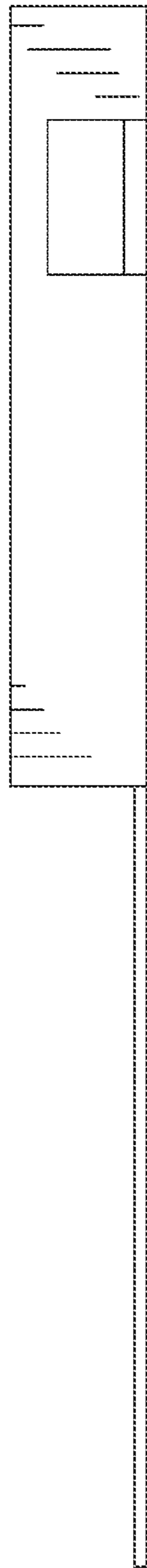


Fig 13

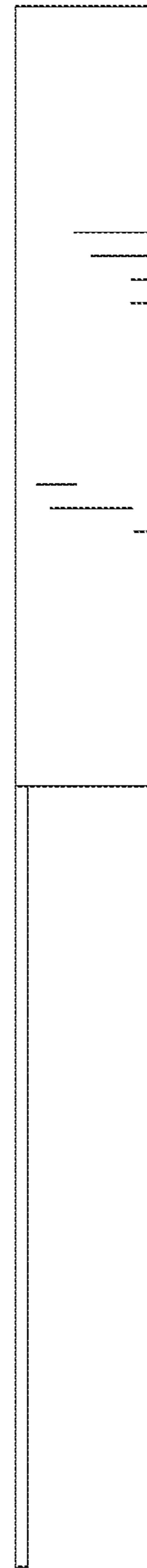


Fig 14

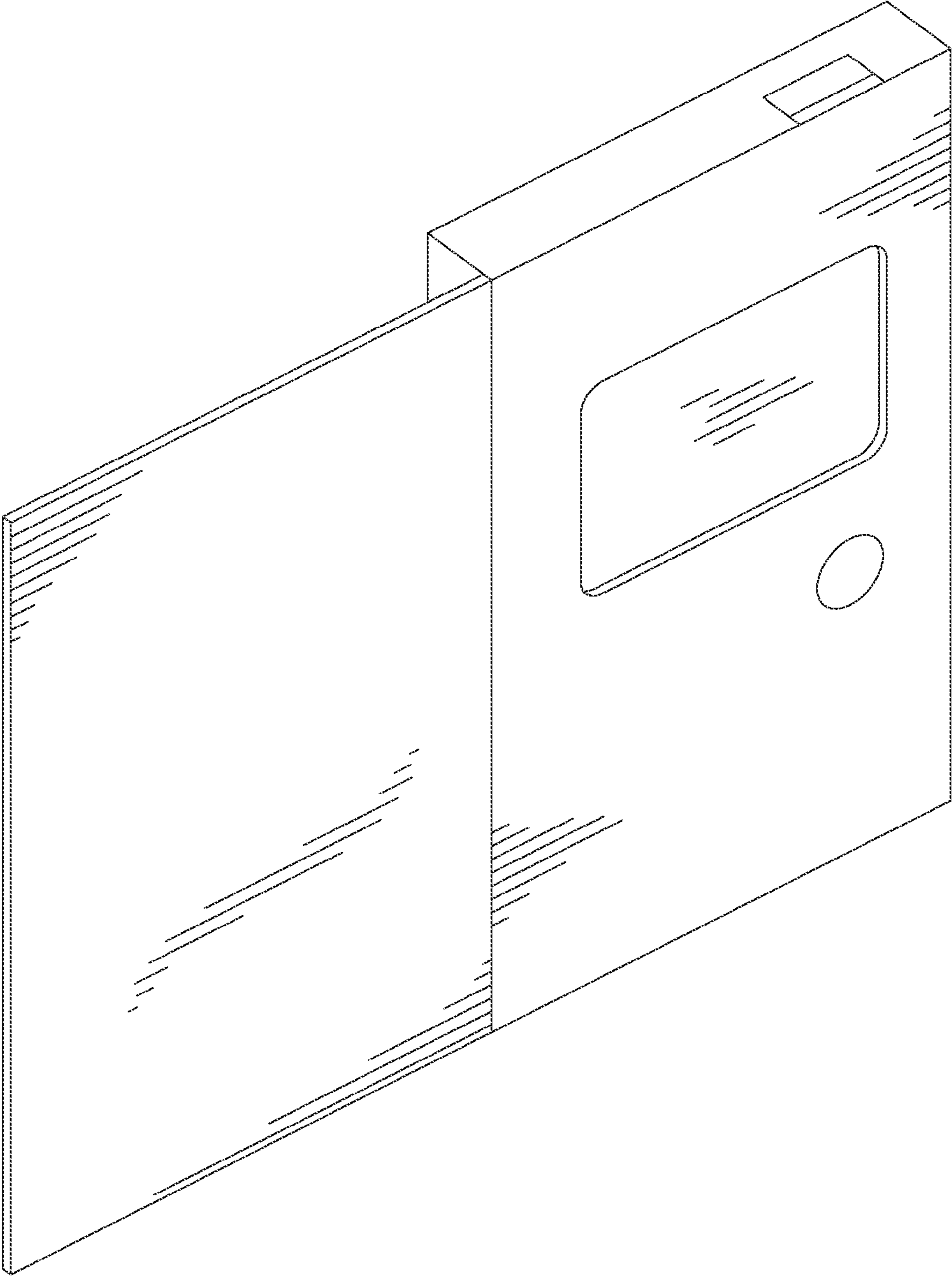


Fig. 15

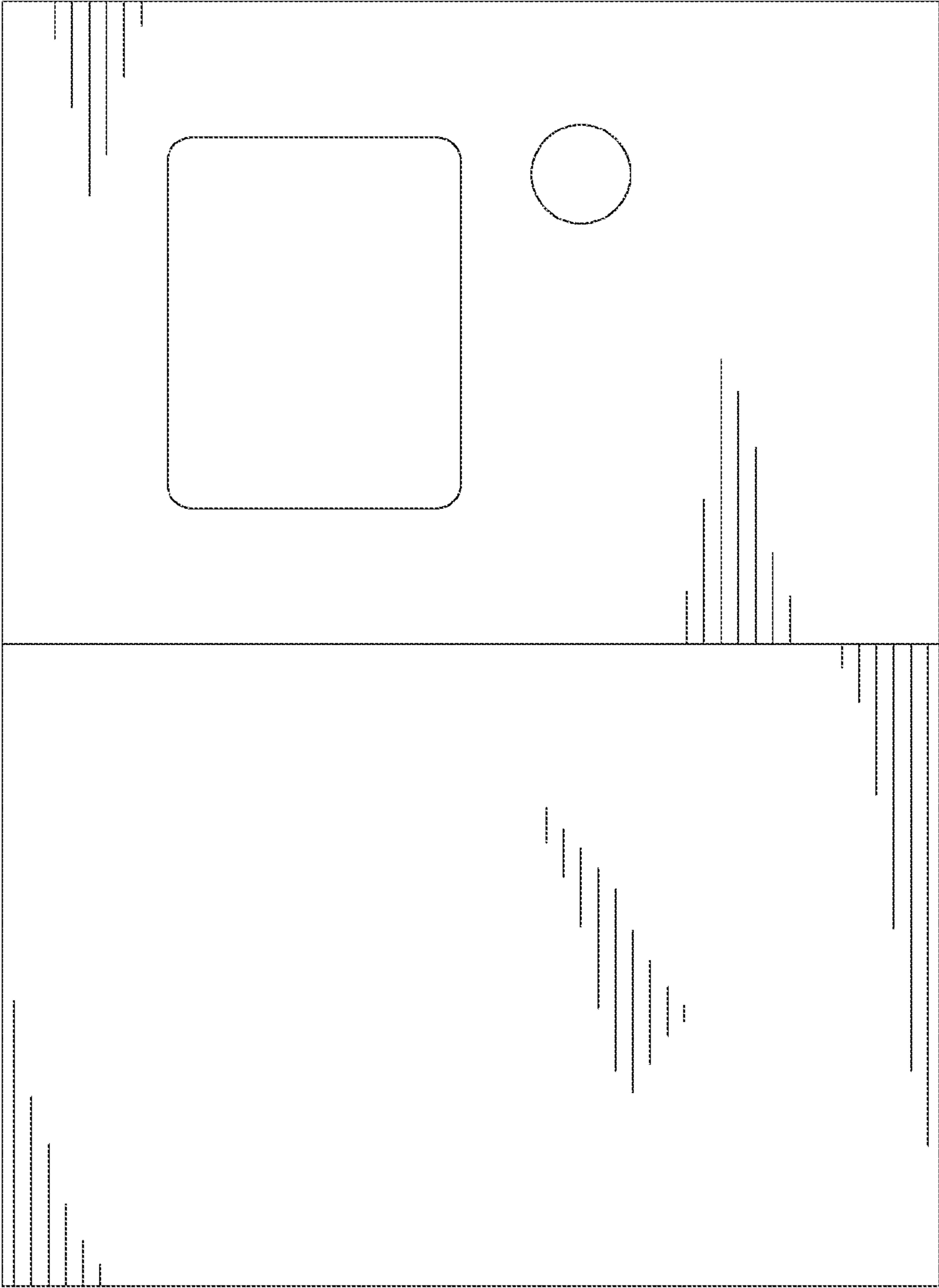


Fig 16



Fig. 17



Fig. 18

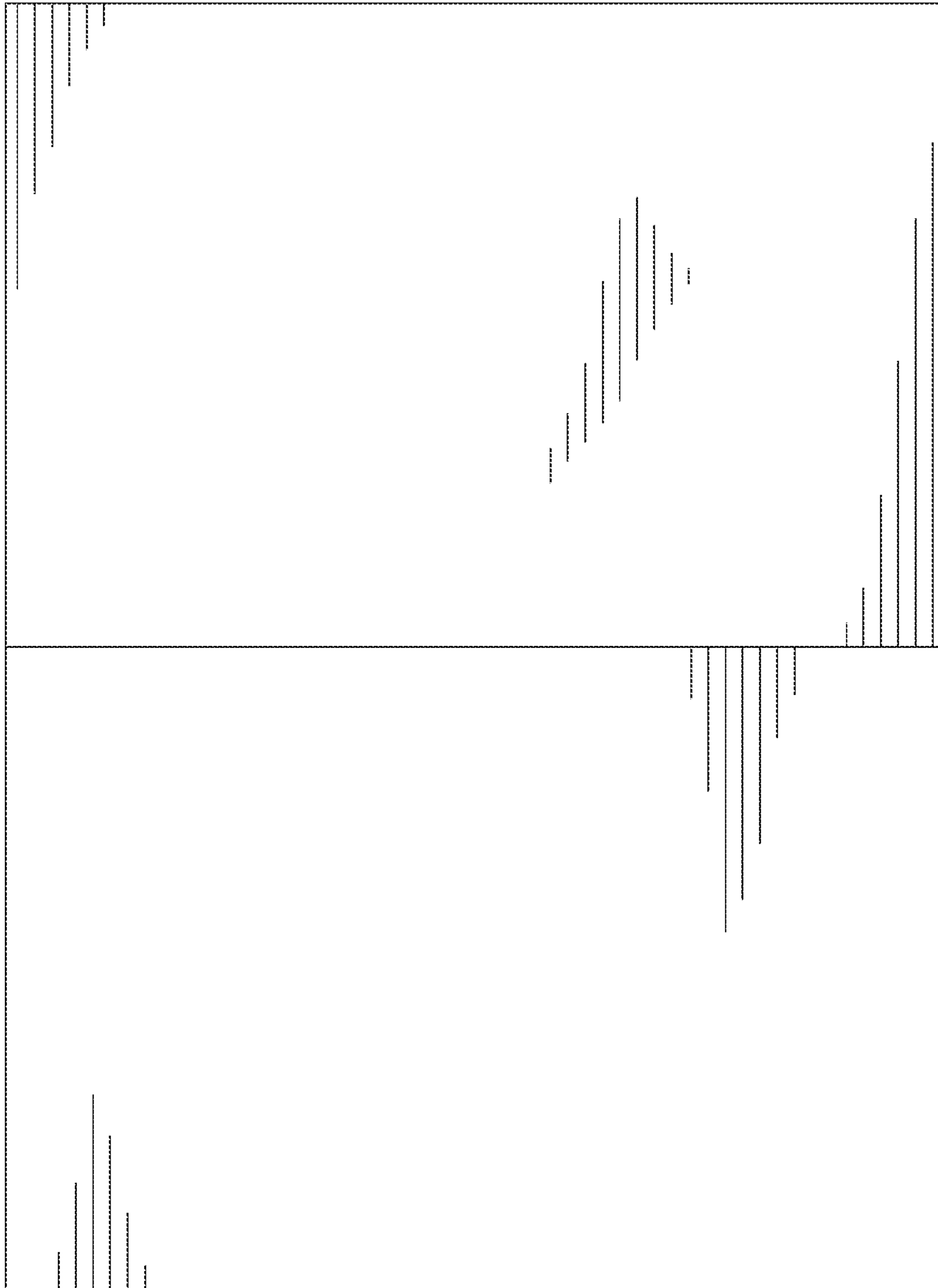


FIG 19

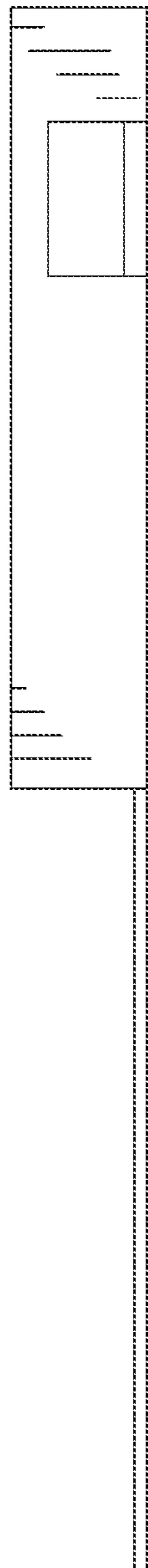


Fig 20

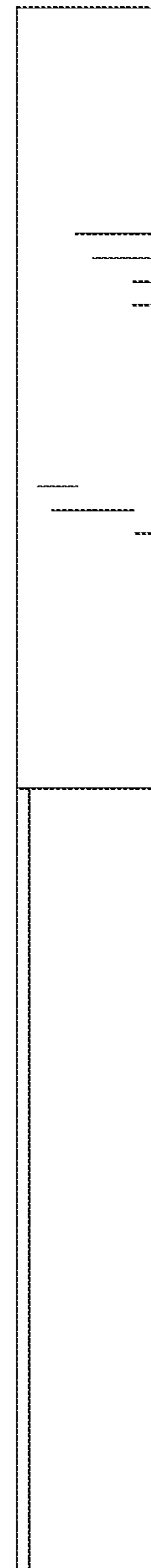


Fig 21

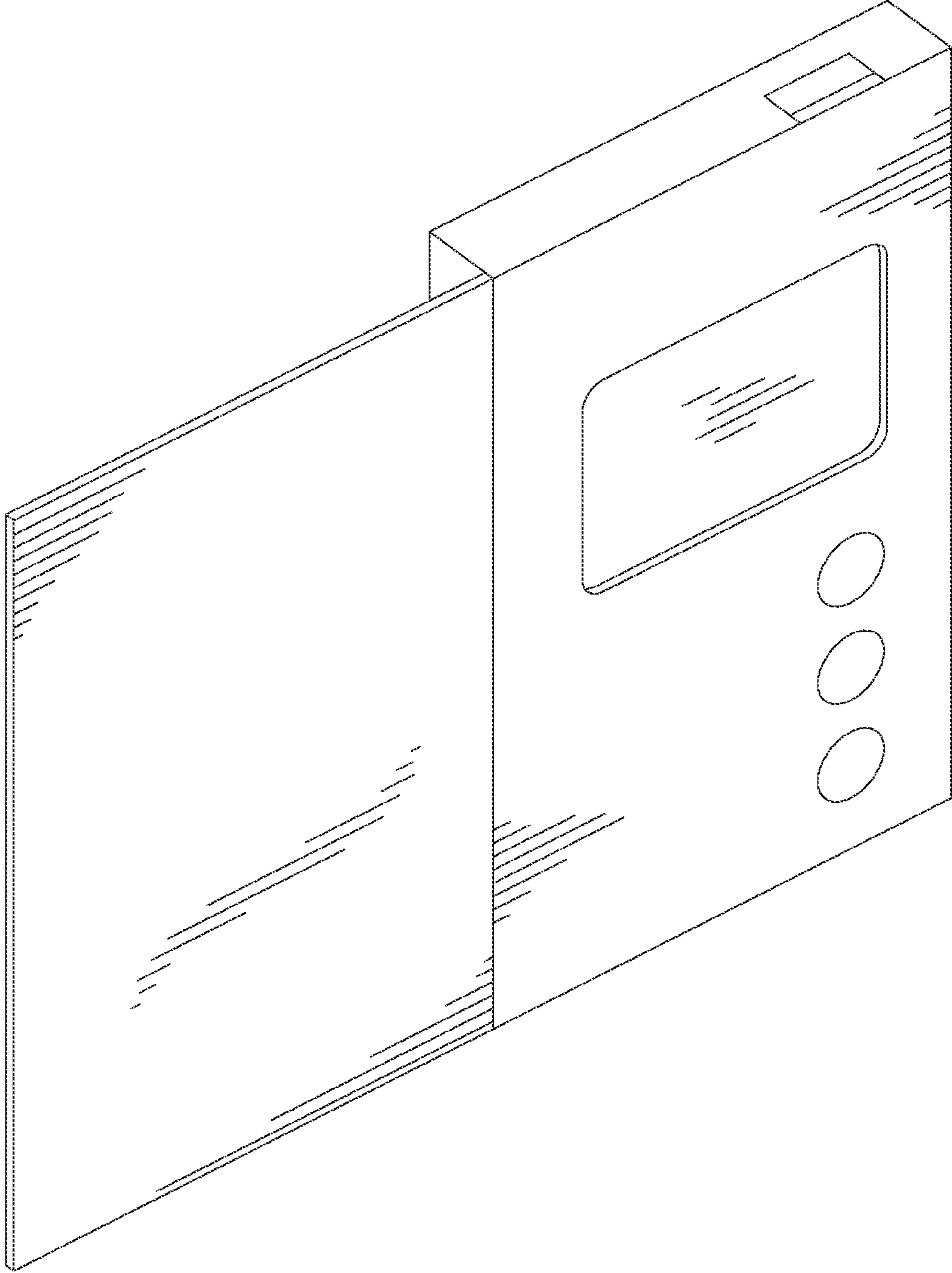


Fig 22

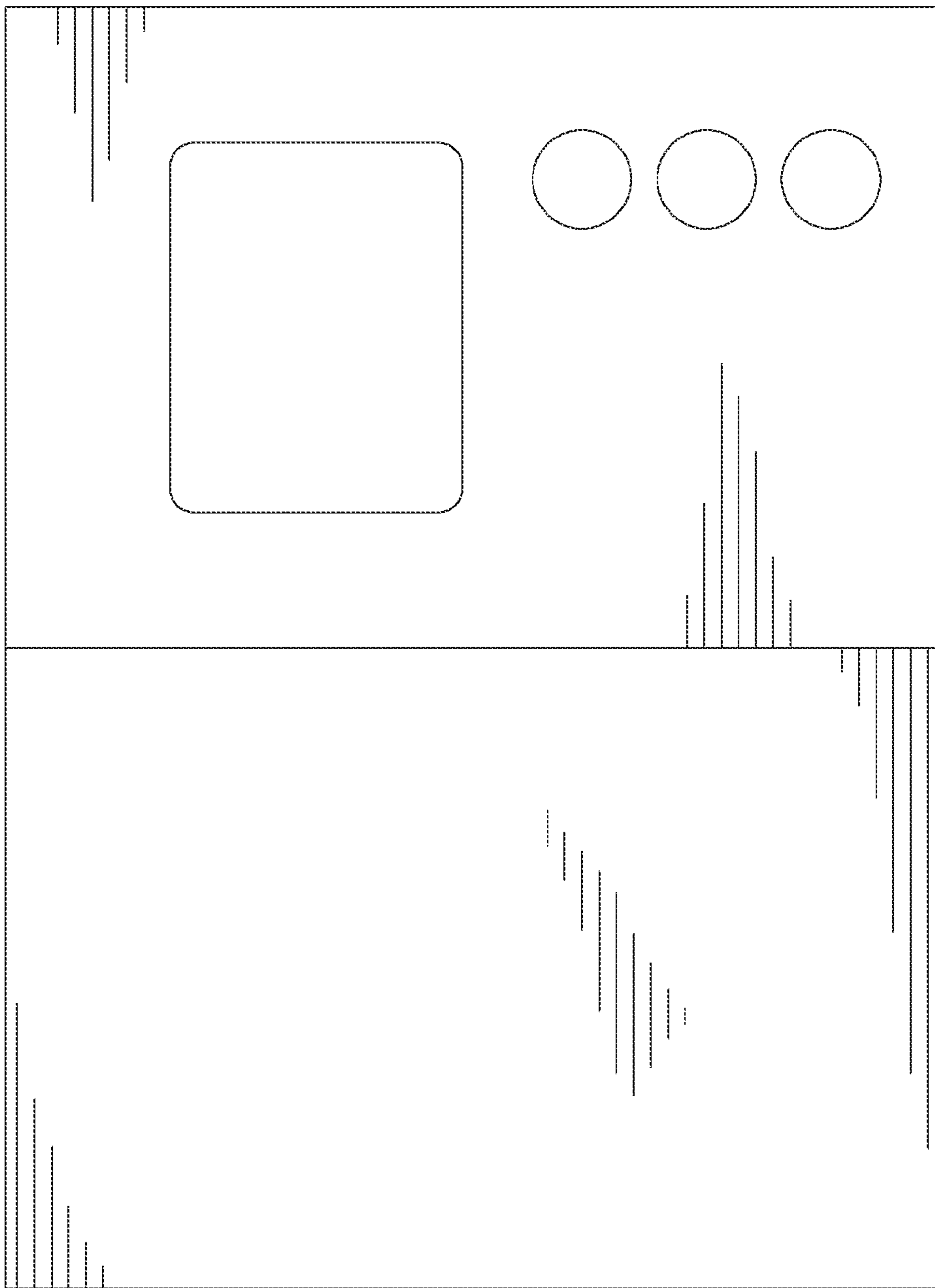


Fig 23

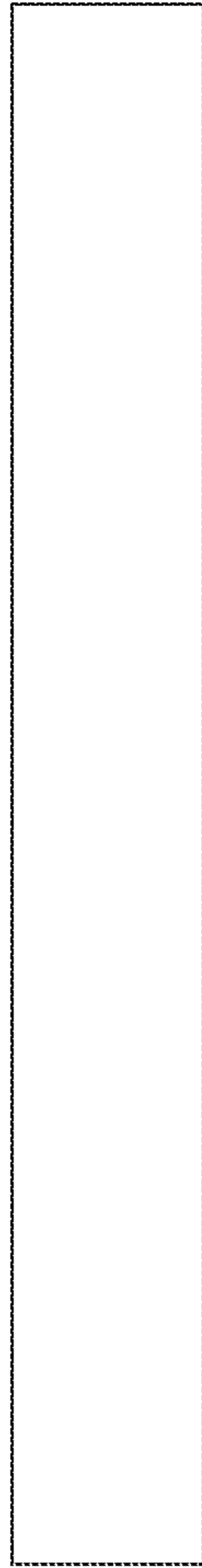


Fig 24



Fig 25

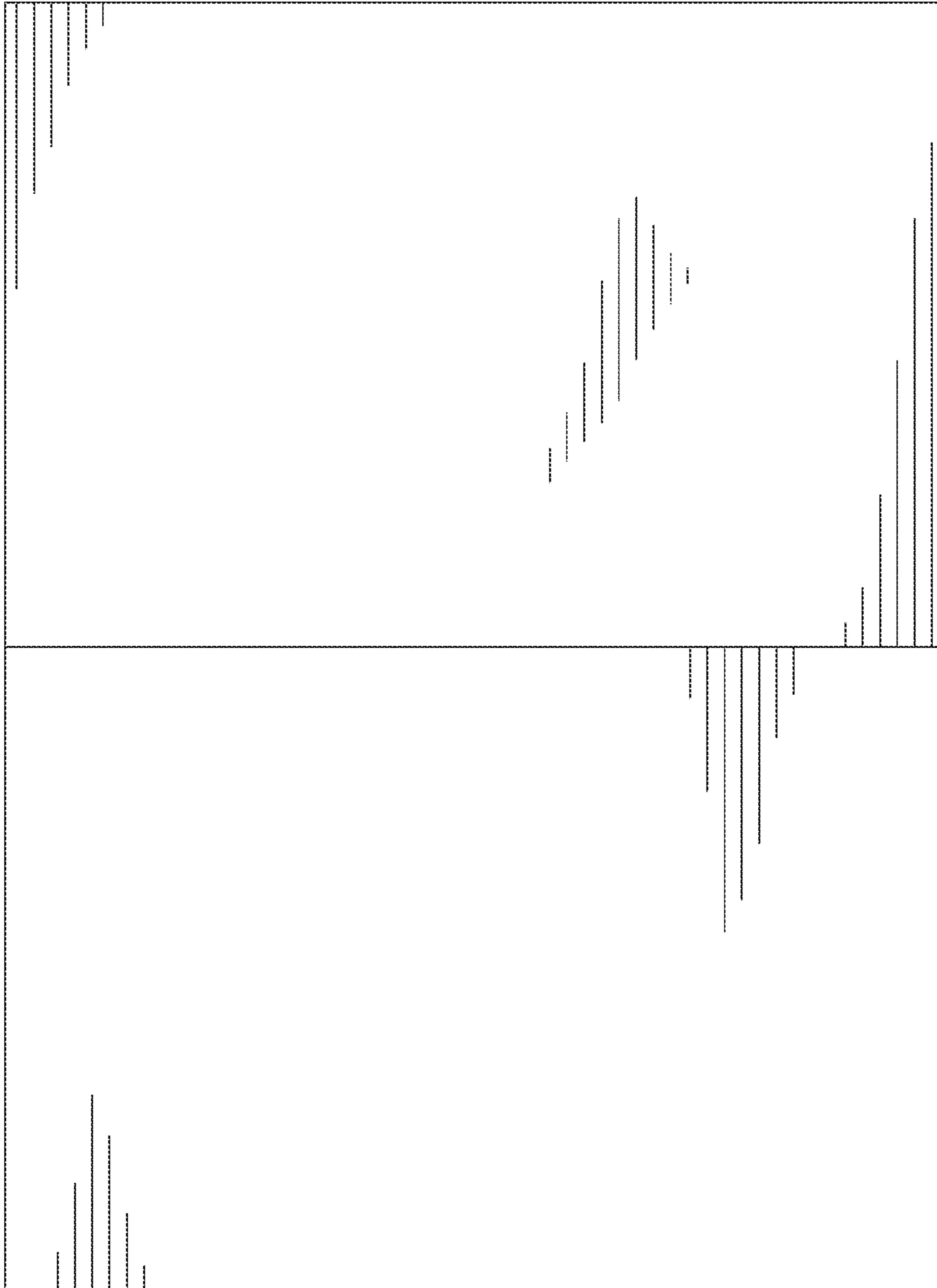


Fig 26

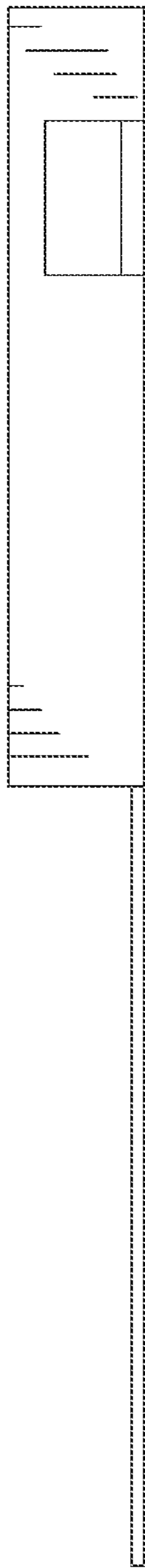


Fig 27

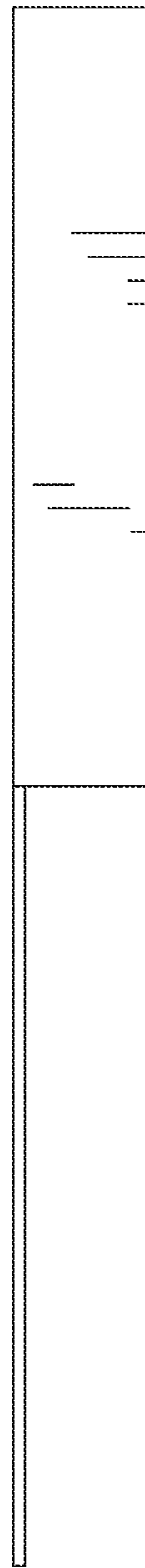


Fig 28