



US00D655748S

(12) **United States Design Patent**
Takami

(10) **Patent No.:** **US D655,748 S**
(45) **Date of Patent:** **** Mar. 13, 2012**

(54) **POWDER CONTAINER FOR STORING
TONER, CARRIER OR THE LIKE**

(75) Inventor: **Nobuo Takami**, Kawasaki (JP)

(73) Assignee: **Ricoh Company, Ltd.**, Tokyo (JP)

(**) Term: **14 Years**

(21) Appl. No.: **29/357,016**

(22) Filed: **Mar. 5, 2010**

(51) **LOC (9) Cl.** **16-03**

(52) **U.S. Cl.** **D18/43**

(58) **Field of Classification Search** D14/462,
D14/471, 474, 475; D18/12, 36, 40, 43,
D18/44, 56; 222/DIG. 1; 347/197, 214,
347/222; 399/24-28, 107-112, 119, 121,
399/122, 222-224

See application file for complete search history.

(56) **References Cited**

U.S. PATENT DOCUMENTS

6,298,208	B1	10/2001	Kawamura et al.	
D500,074	S	12/2004	Naraoka	
D532,037	S *	11/2006	Tsuda et al.	D18/43
D598,949	S *	8/2009	Kurenuma et al.	D18/43
D599,845	S *	9/2009	Kurenuma et al.	D18/43
D600,275	S *	9/2009	Kurenuma et al.	D18/43
D600,743	S *	9/2009	Yoshizawa	D18/43
D602,519	S *	10/2009	Kurenuma et al.	D18/43
D602,984	S *	10/2009	Yoshizawa	D18/43
D602,985	S *	10/2009	Yoshizawa	D18/43
D606,583	S *	12/2009	Kurenuma et al.	D18/43
D607,045	S *	12/2009	Kurenuma et al.	D18/43
7,676,164	B2 *	3/2010	Shiori et al.	399/24
7,720,416	B2 *	5/2010	Taguchi et al.	399/120

D636,436	S *	4/2011	Takami	D18/43
D636,813	S *	4/2011	Kikuchi et al.	D18/43
2007/0230974	A1 *	10/2007	Ohkawa et al.	399/27
2010/0129118	A1	5/2010	Kimura et al.	

* cited by examiner

Primary Examiner — Garth Rademaker

(74) *Attorney, Agent, or Firm* — Dickstein Shapiro LLP

(57) **CLAIM**

The ornamental design for a powder container for storing toner, carrier or the like, as shown and described.

DESCRIPTION

FIG. 1 is a top, front and right side perspective view of the powder container for storing toner, carrier or the like, showing the design;

FIG. 2 is a top, rear and left side perspective view thereof;

FIG. 3 is a bottom, rear and right side perspective view thereof;

FIG. 4 is a bottom, front and left side perspective view thereof;

FIG. 5 is a front view thereof;

FIG. 6 is a rear view thereof;

FIG. 7 is a right side view thereof;

FIG. 8 is a left side view thereof;

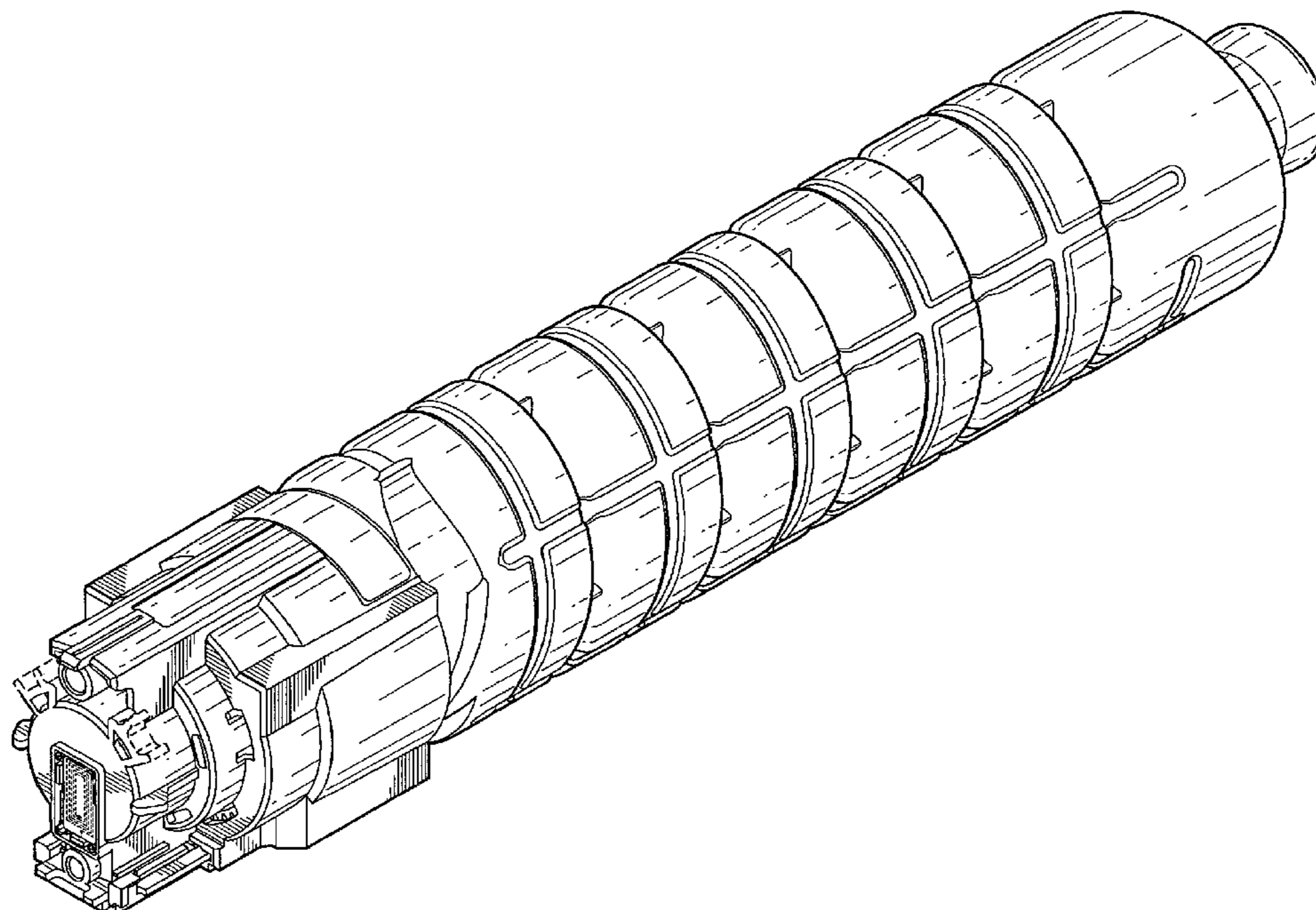
FIG. 9 is a top view thereof; and,

FIG. 10 is a bottom view thereof.

The broken lines depict environmental subject matter only and form no part of the claimed design.

In operation, the powder container for storing toner, carrier or the like is used to form an image in an image forming apparatus such as a copying machine, a printer or the like, and is set to be positioned with the image forming apparatus, and is configured to discharge toner, carrier or the like through a shutter portion according to a shortage of such toner, carrier or the like.

1 Claim, 7 Drawing Sheets



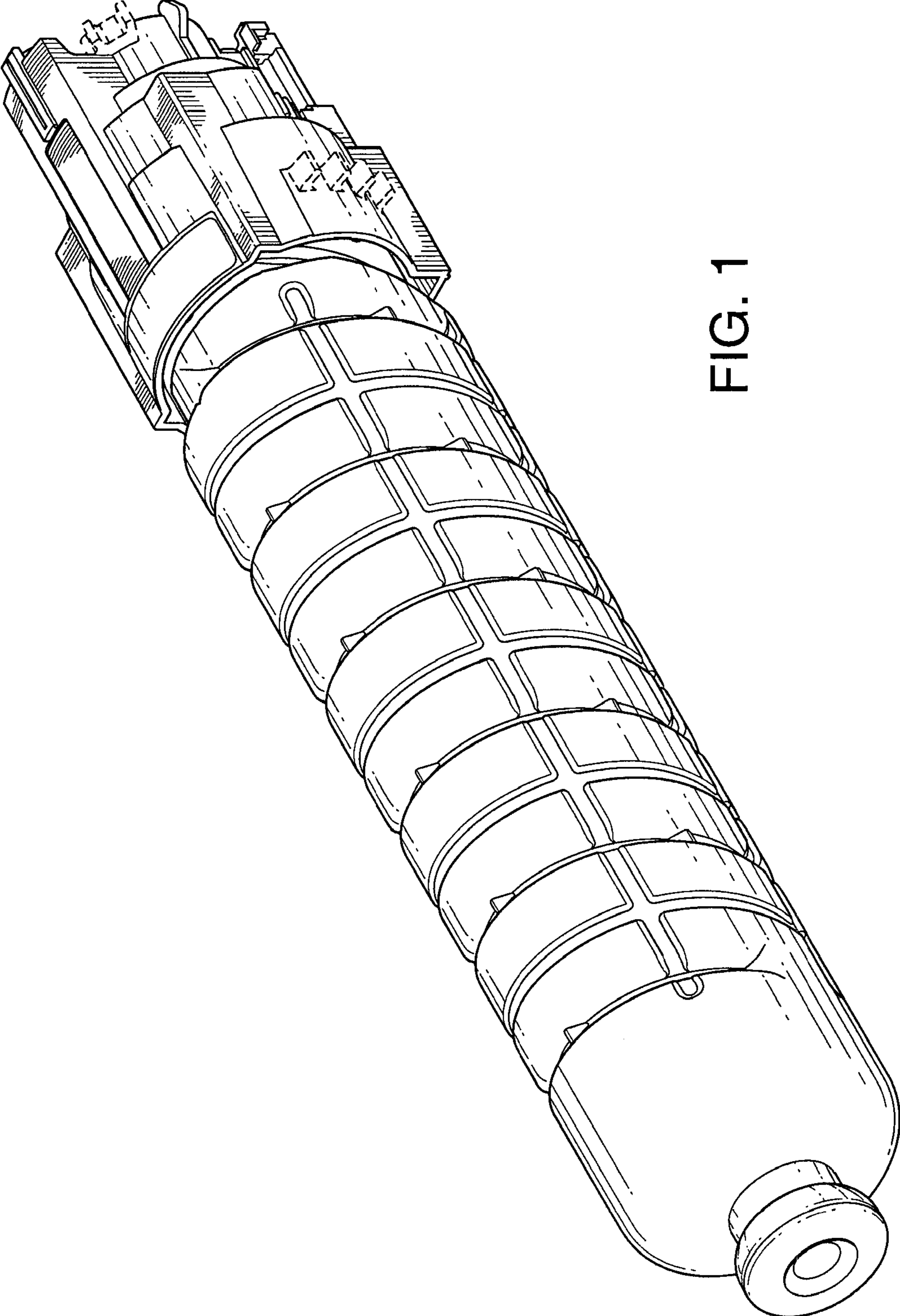


FIG. 1

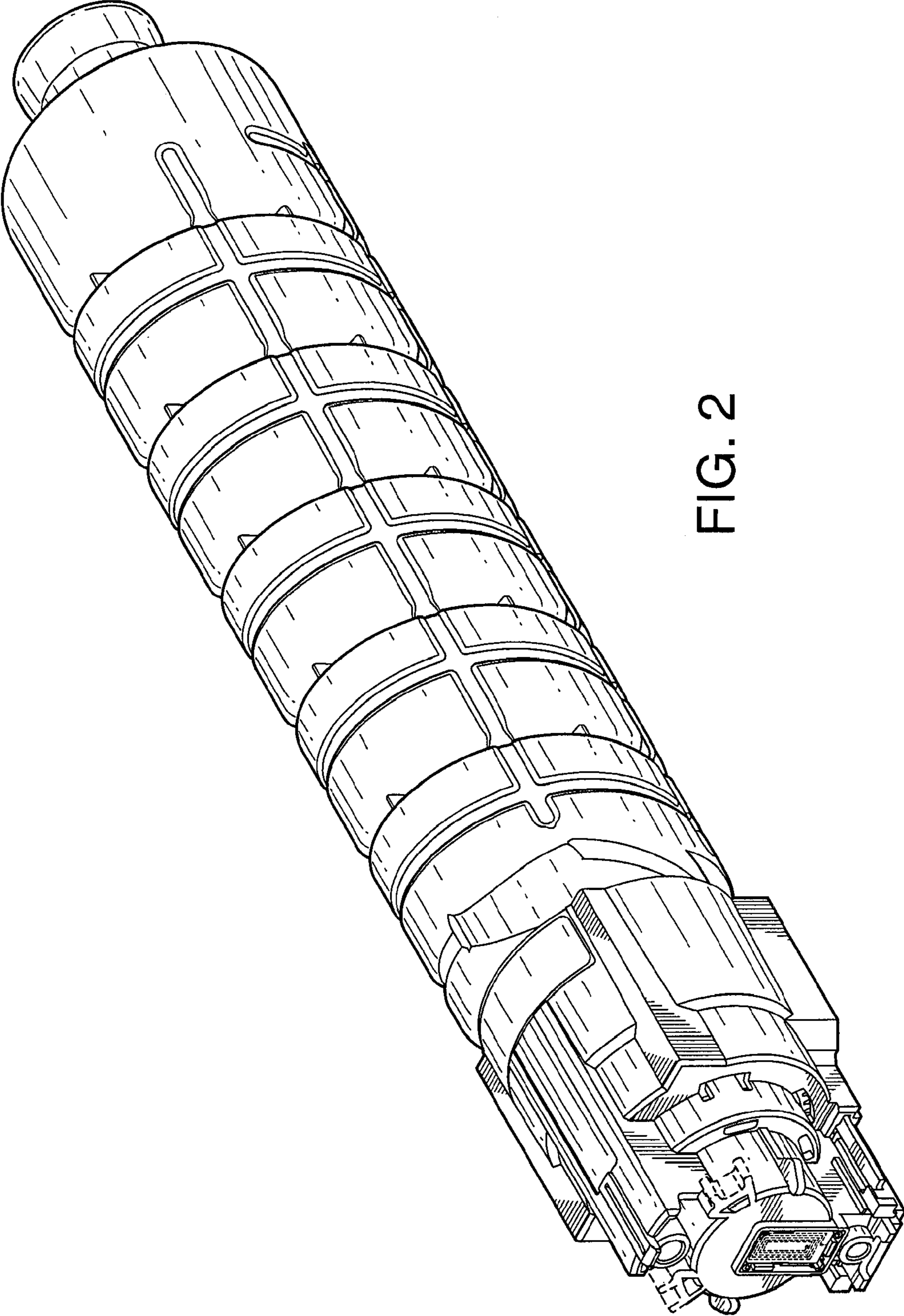


FIG. 2

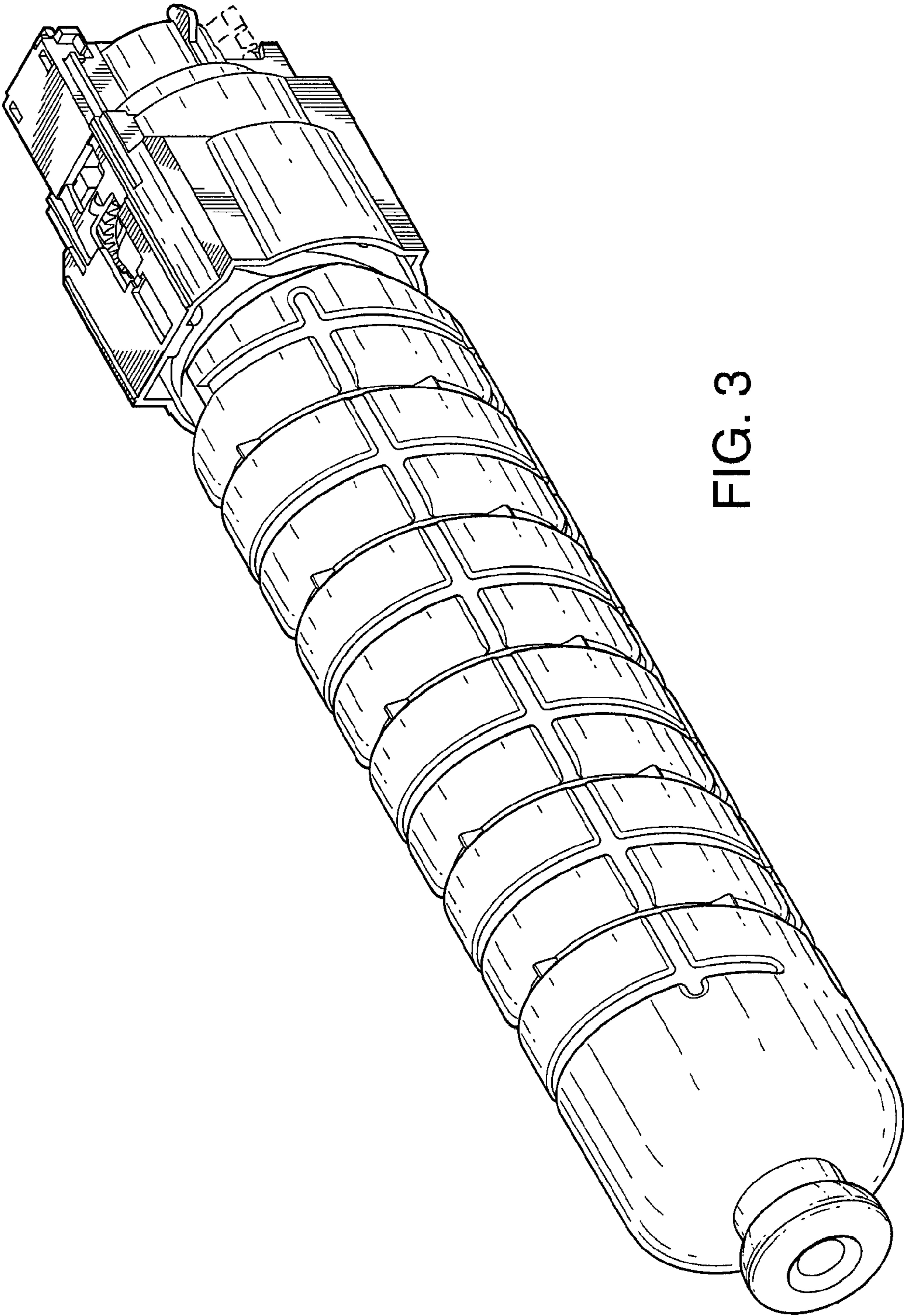


FIG. 3

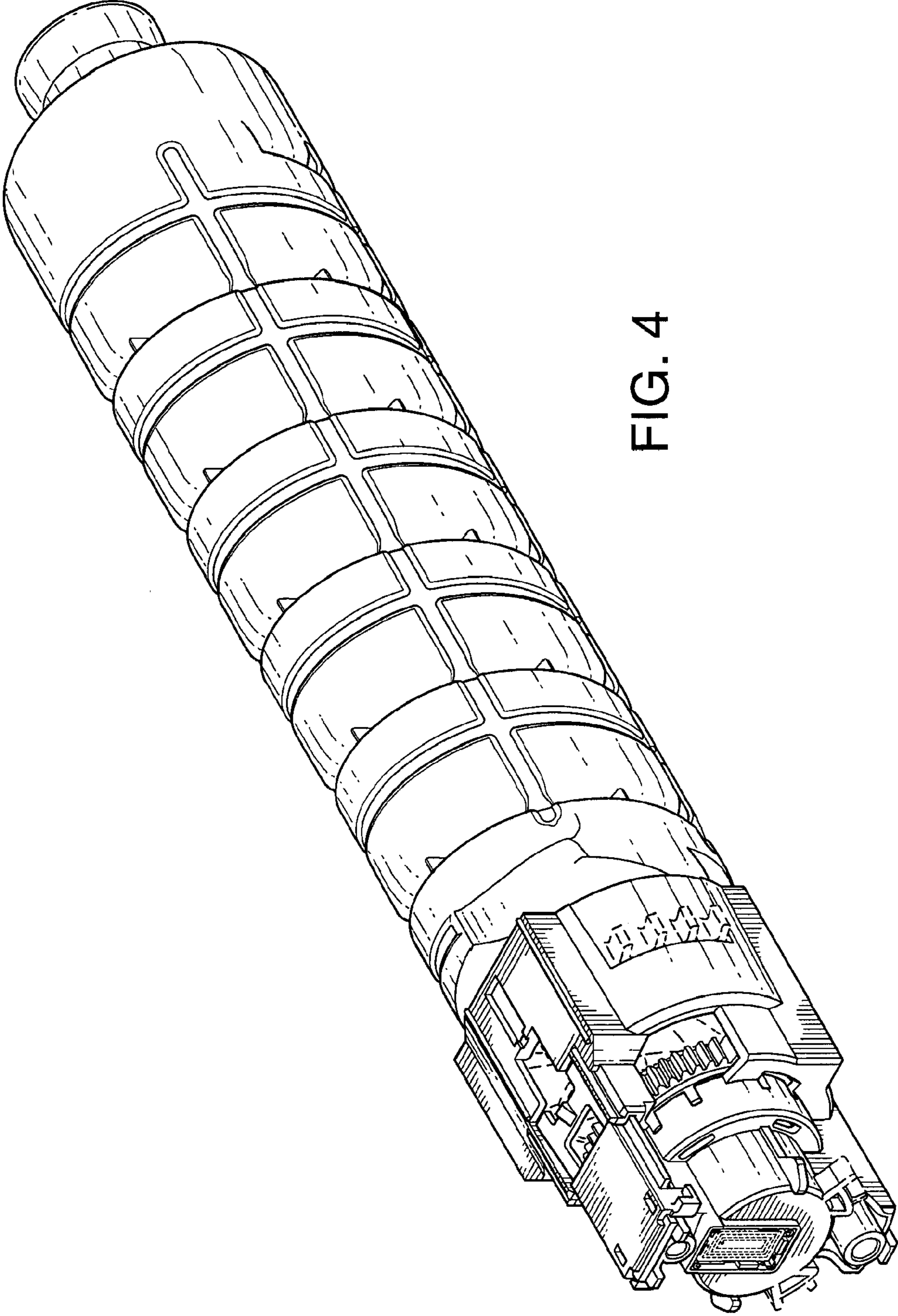


FIG. 4

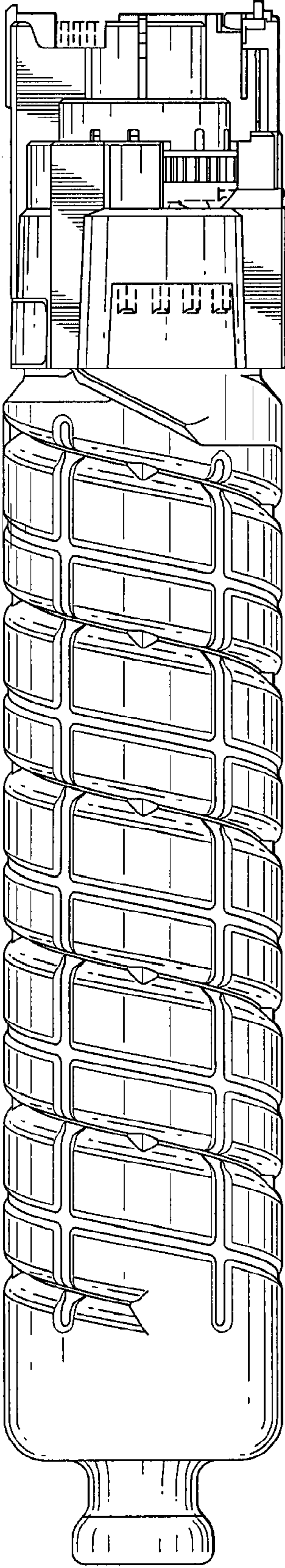


FIG. 5

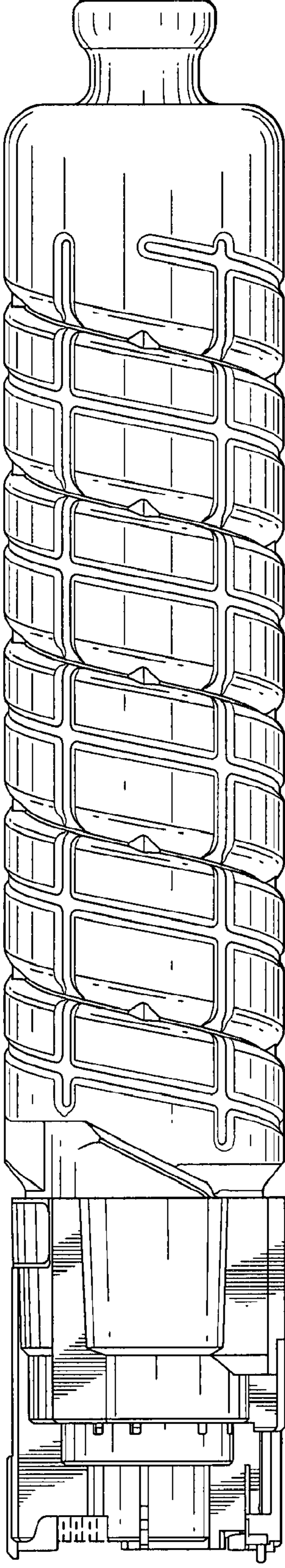


FIG. 6

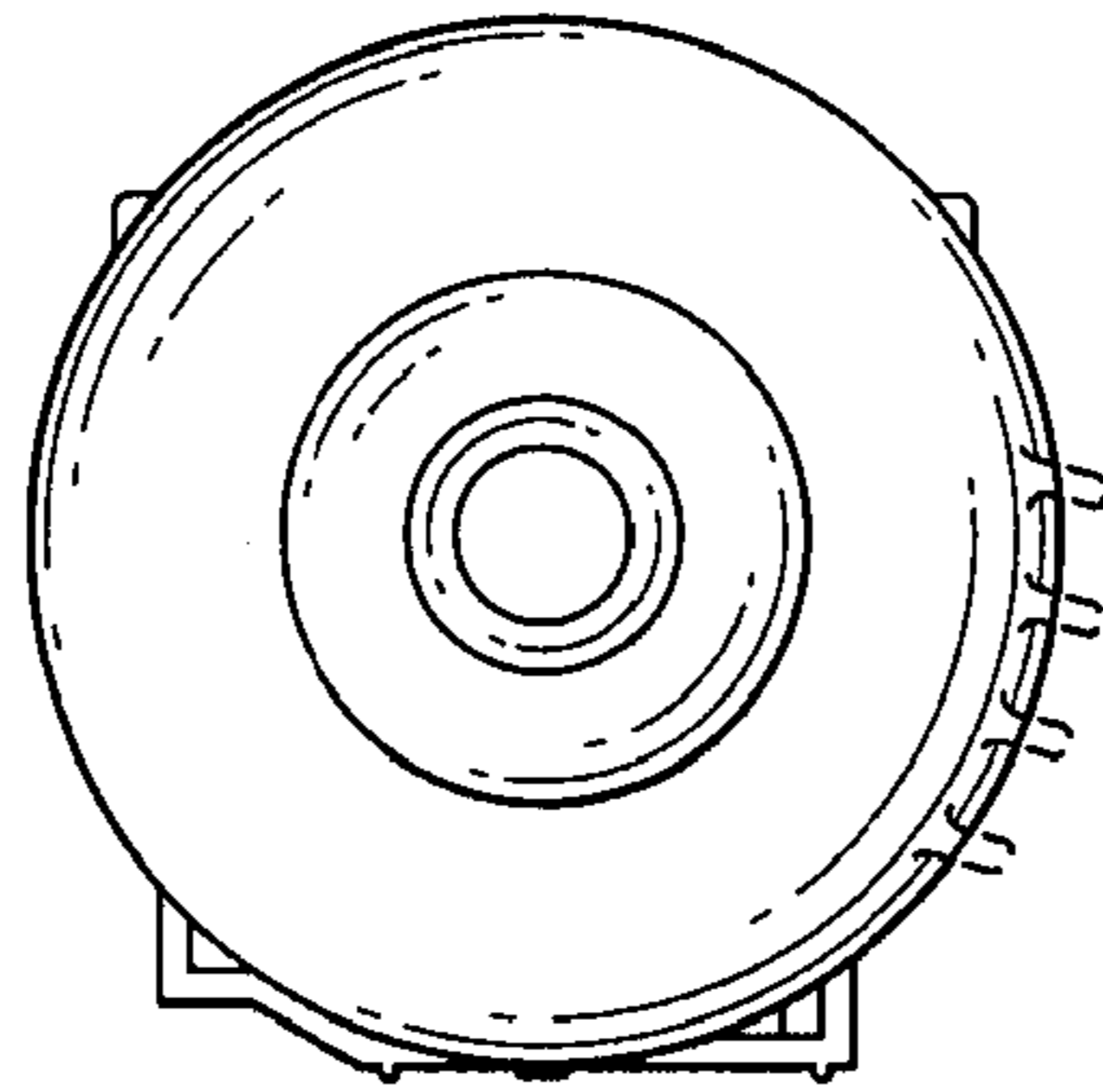


FIG. 7

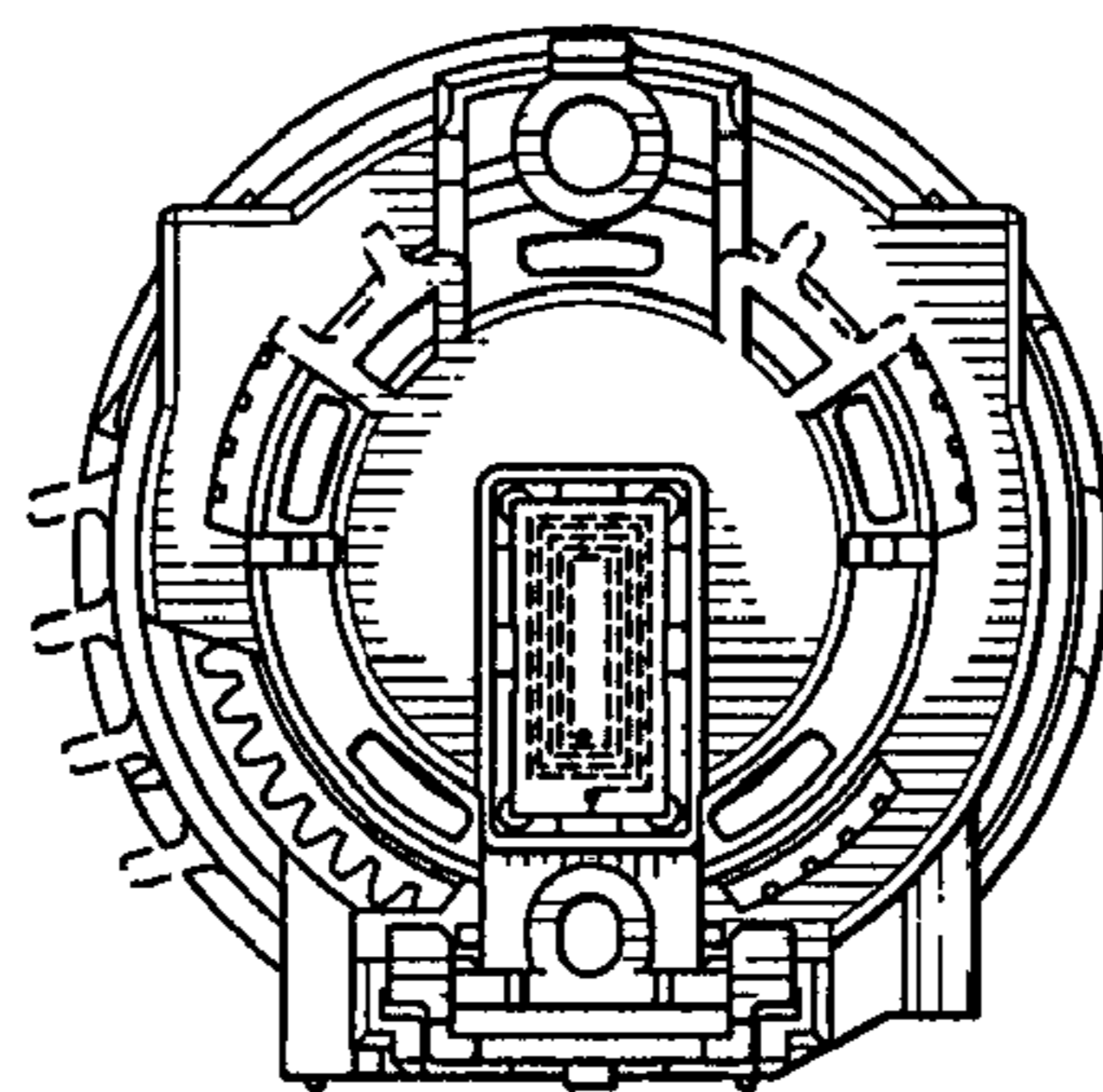


FIG. 8

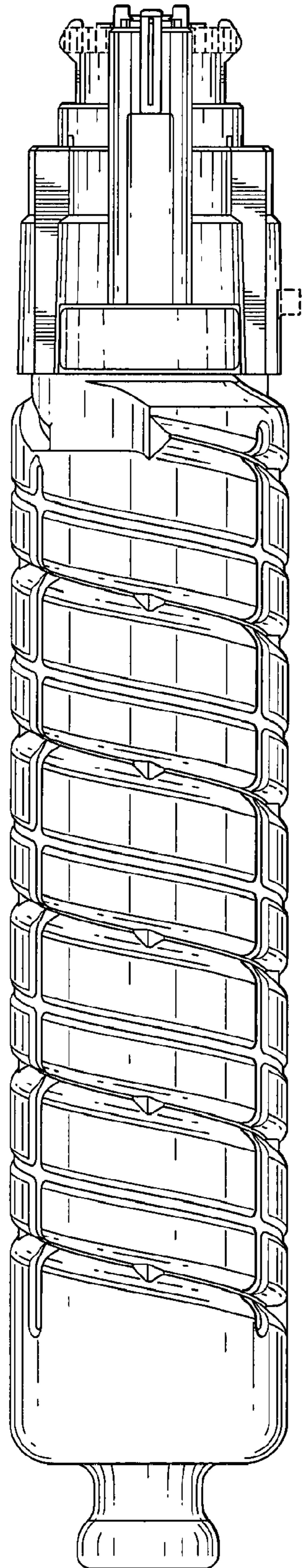


FIG. 9

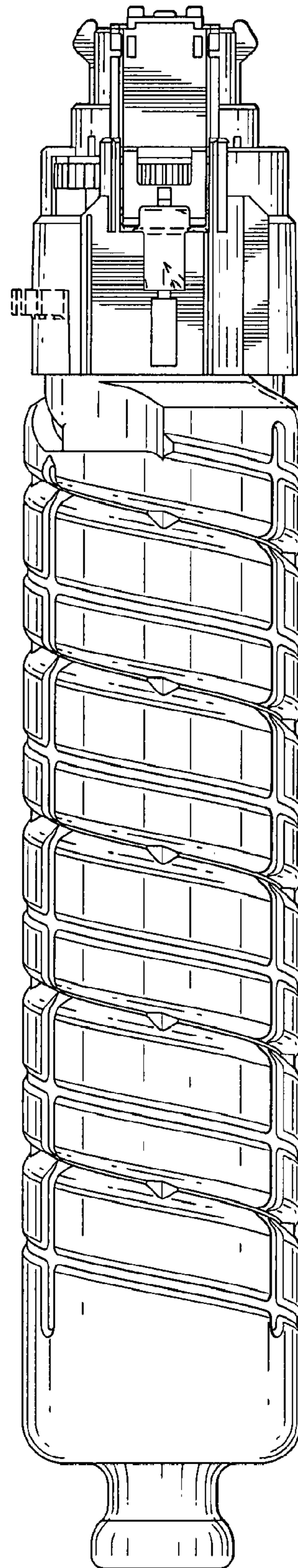


FIG. 10