



US00D655744S

(12) **United States Design Patent**  
**Gonzalez**

(10) **Patent No.:** **US D655,744 S**  
(45) **Date of Patent:** **\*\* Mar. 13, 2012**

(54) **DECORATIVE ELEMENT FOR EYEWEAR (ROUGE)**

(75) Inventor: **Alvaro Gonzalez**, Florence (IT)

(73) Assignee: **J. Choo Limited**, London (GB)

(\*\*) Term: **14 Years**

(21) Appl. No.: **29/372,335**

(22) Filed: **Nov. 10, 2010**

(51) **LOC (9) Cl.** ..... **16-06**

(52) **U.S. Cl.** ..... **D16/341**

(58) **Field of Classification Search** ..... D16/101,  
D16/300-342, 900; D29/109-110; D24/110.2;  
351/41, 44, 51-52, 62, 158, 92, 103-123,  
351/140, 153, 45-46; 2/426-432, 447-449,  
2/441, 434-437, 13, 15; D21/483, 659-661  
See application file for complete search history.

(56) **References Cited**

**U.S. PATENT DOCUMENTS**

D172,412 S *	6/1954	Weissman	.....	D16/341
D180,762 S *	8/1957	Bloch	.....	D16/341
D595,334 S	6/2009	Gonzalez		
7,665,839 B1 *	2/2010	Tedeschi	.....	351/52
D628,794 S	12/2010	Gonzalez		

**OTHER PUBLICATIONS**

J. Choo Limited, Blythe Handbag, "Jimmy Choo Blythe: Office Chic" from WWW.BAGSNOB.COM, by Bag Snob Tina, Jun. 22, 2009.

\* cited by examiner

*Primary Examiner* — Raphael Barkai

(74) *Attorney, Agent, or Firm* — Fross Zelnick Lehrman & Zissu, P.C.; Lawrence E. Apolzon, Esq.

(57) **CLAIM**

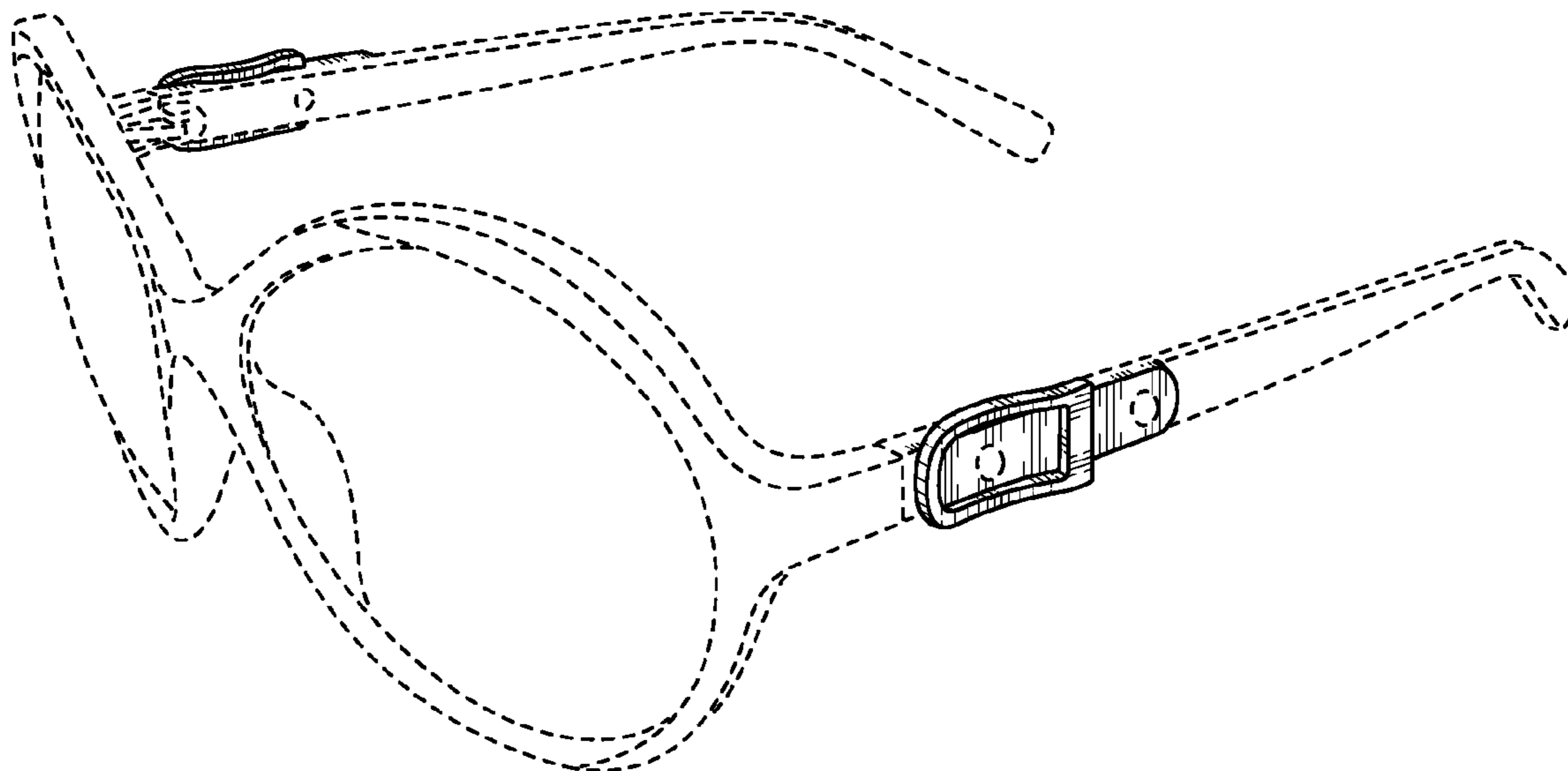
The ornamental design for a decorative element for eyewear (rouge), as shown and described.

**DESCRIPTION**

FIG. 1 is a front perspective view of the decorative element for eyewear showing my new design;  
FIG. 2 is a left side view of the decorative element shown in FIG. 1;  
FIG. 3 is a right side view of the decorative element shown in FIG. 1;  
FIG. 4 is a front view of the decorative element shown in FIG. 1;  
FIG. 5 is a rear view of the decorative element shown in FIG. 1;  
FIG. 6 is a bottom view of the decorative element shown in FIG. 1; and,  
FIG. 7 is a top view of the decorative element shown in FIG. 1.

The broken line showing of the eyewear frame, glass portions, portions of the arms, screws, rivets, and hinges is for illustrative purposes only and forms no part of the claimed design.

**1 Claim, 5 Drawing Sheets**



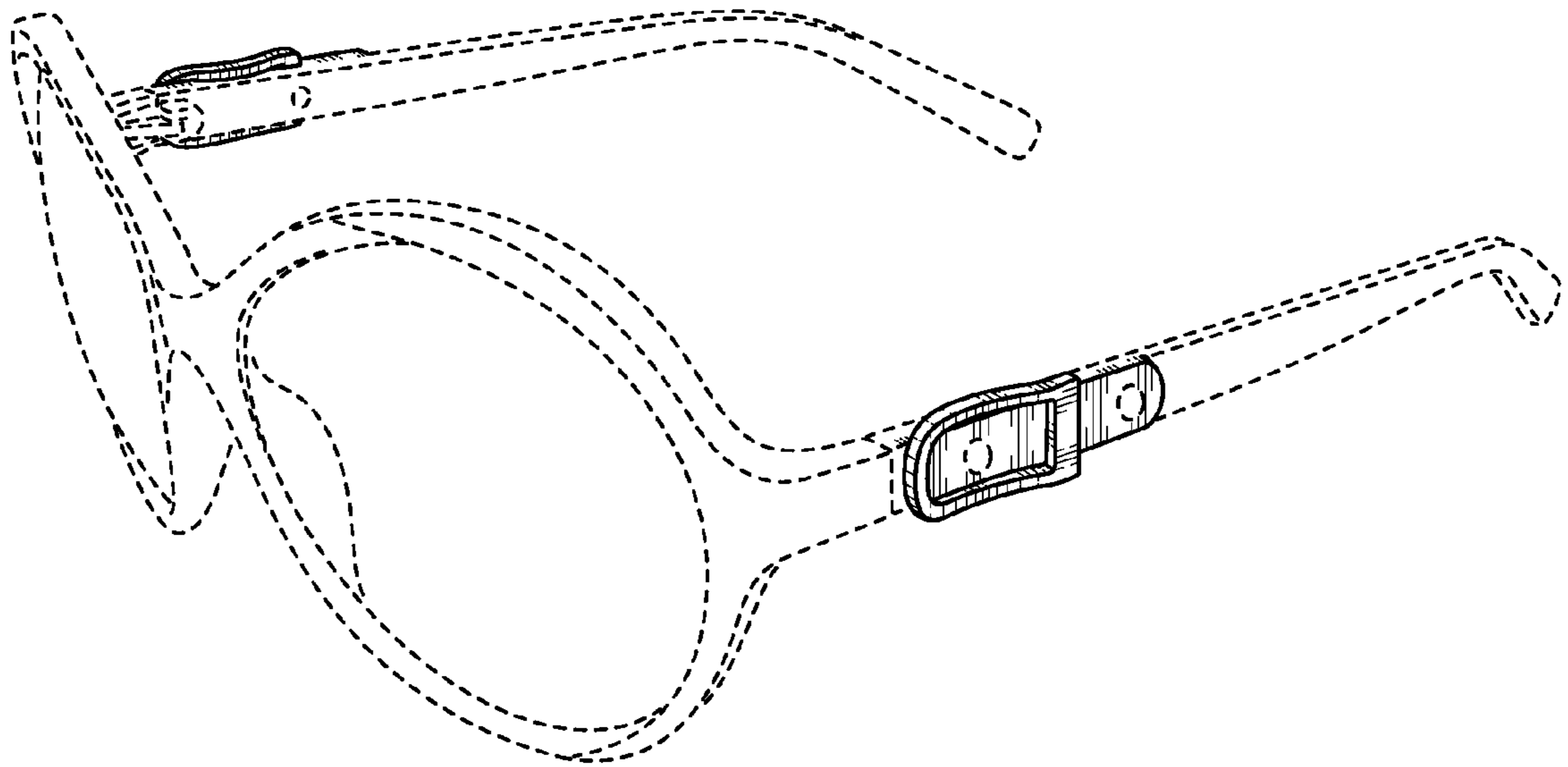


FIG. 1

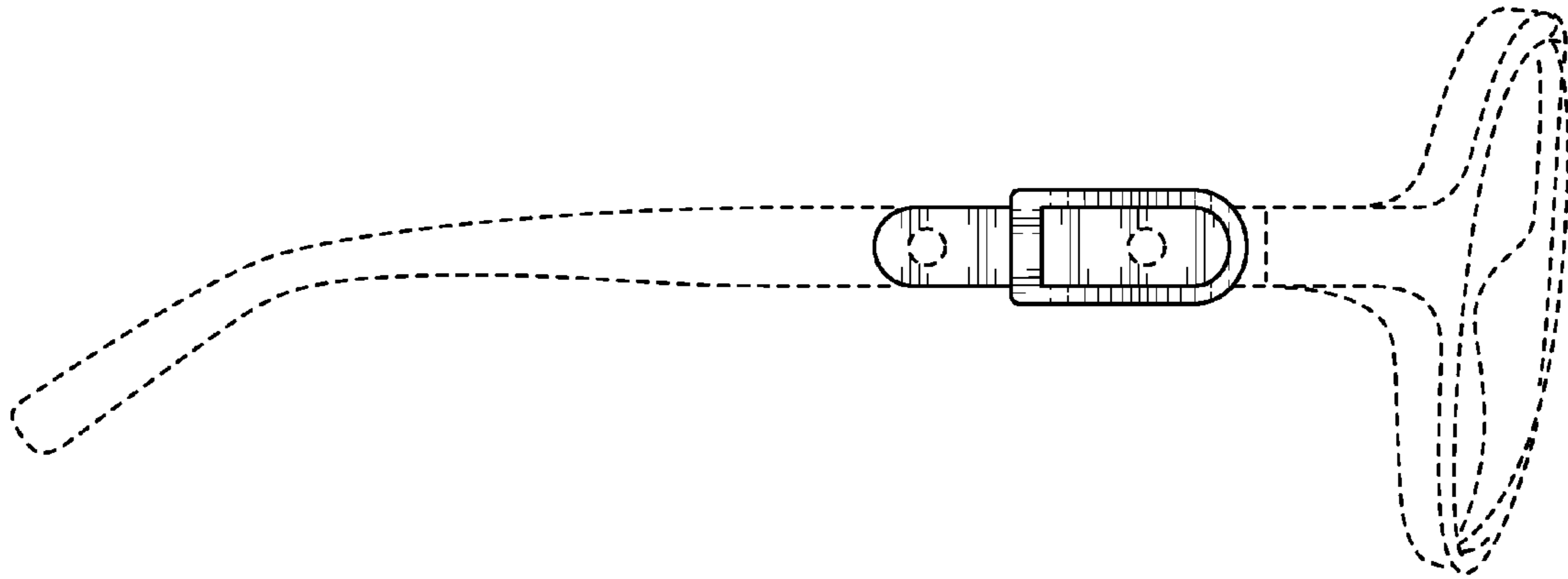


FIG. 2

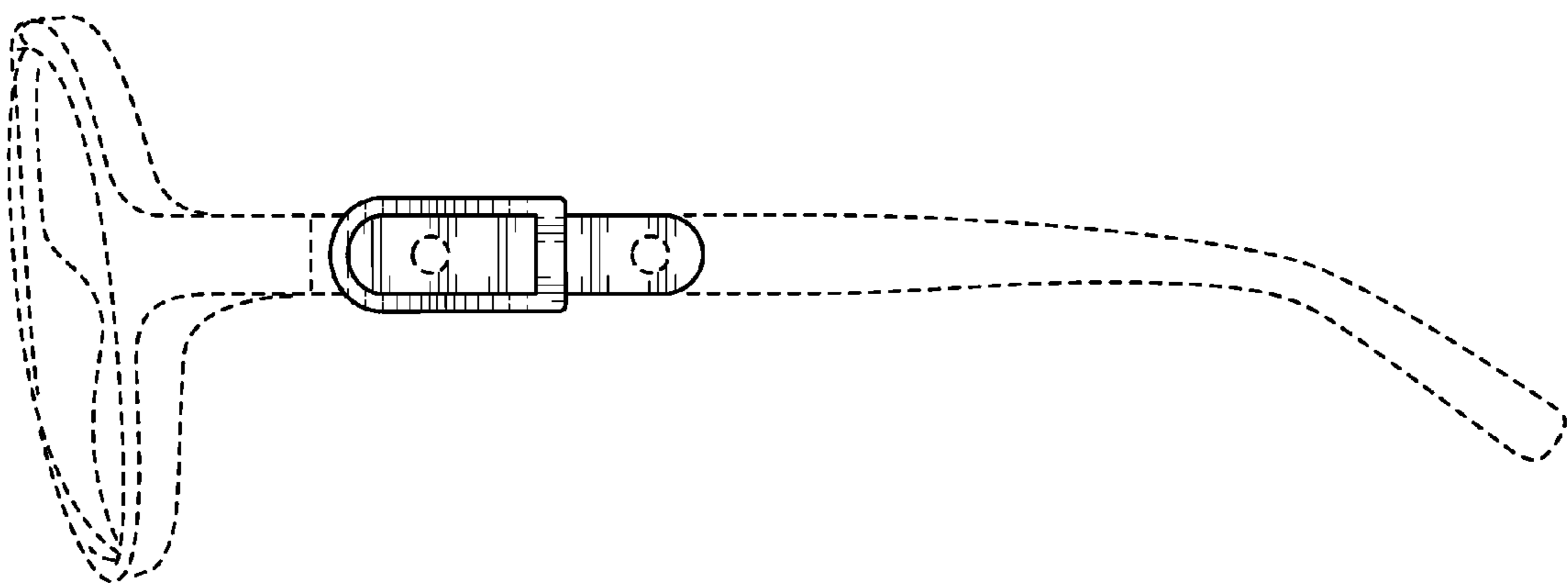


FIG. 3

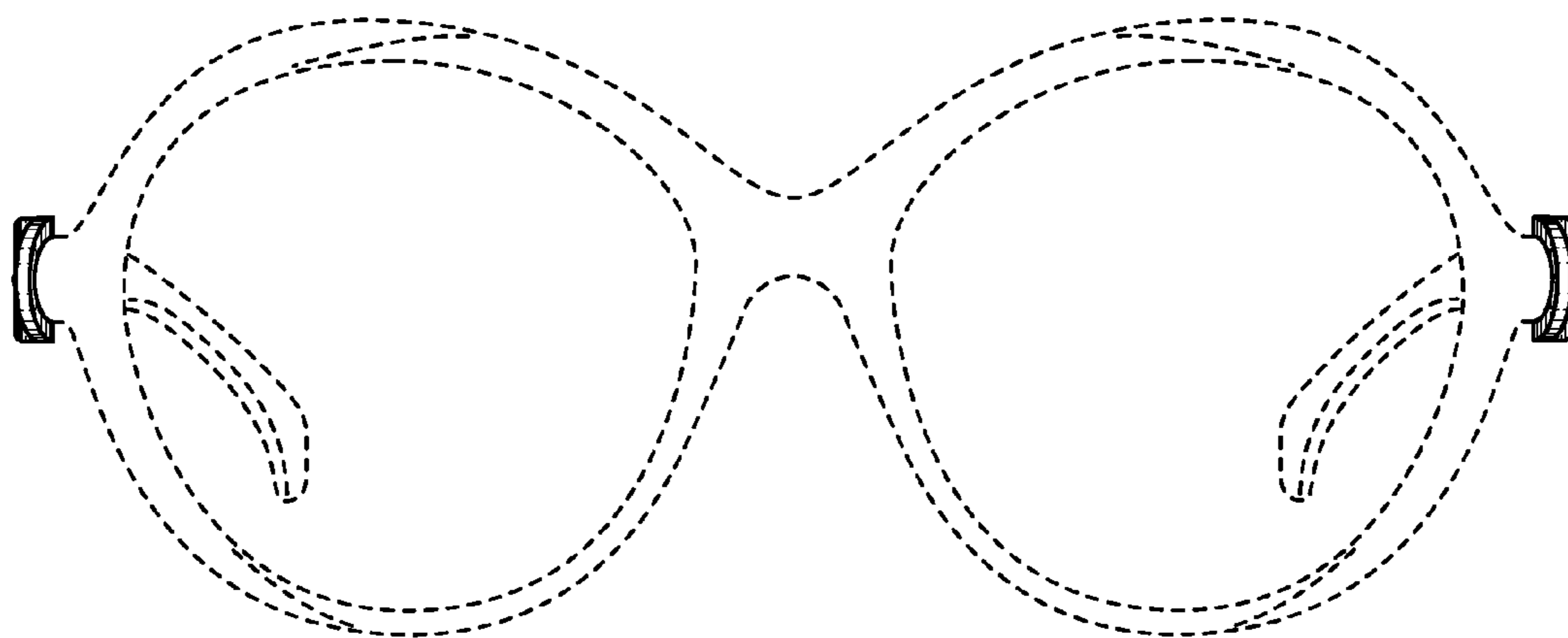


FIG. 4

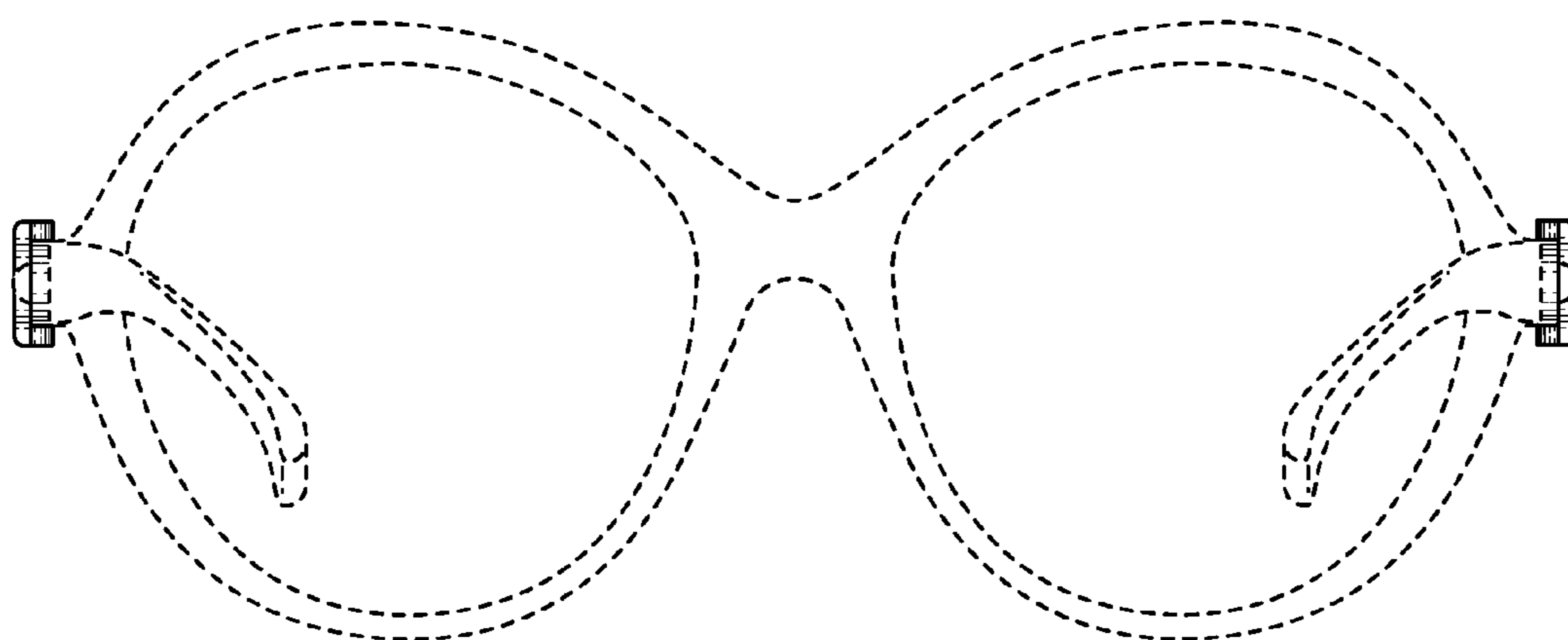


FIG. 5

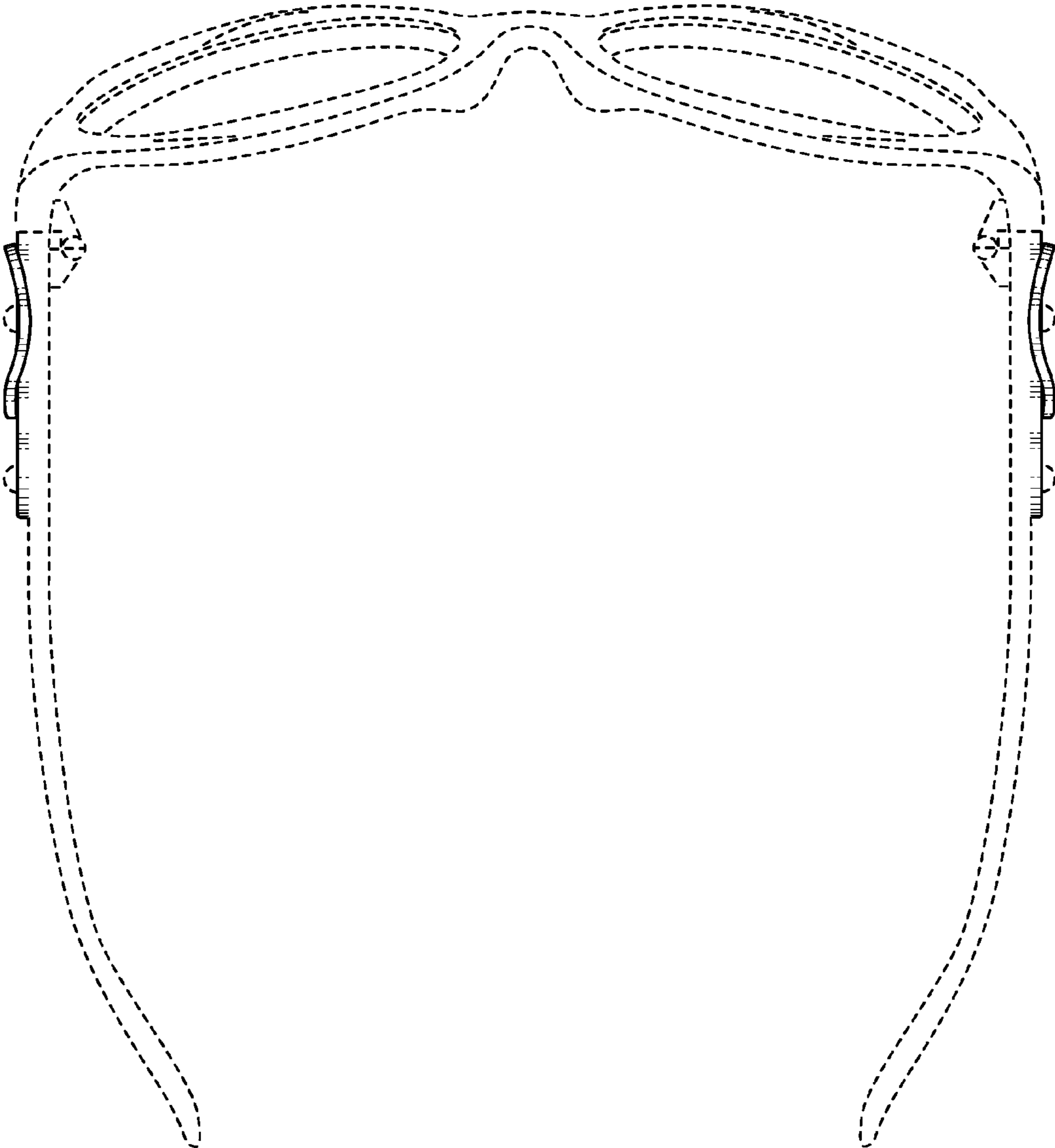


FIG. 6

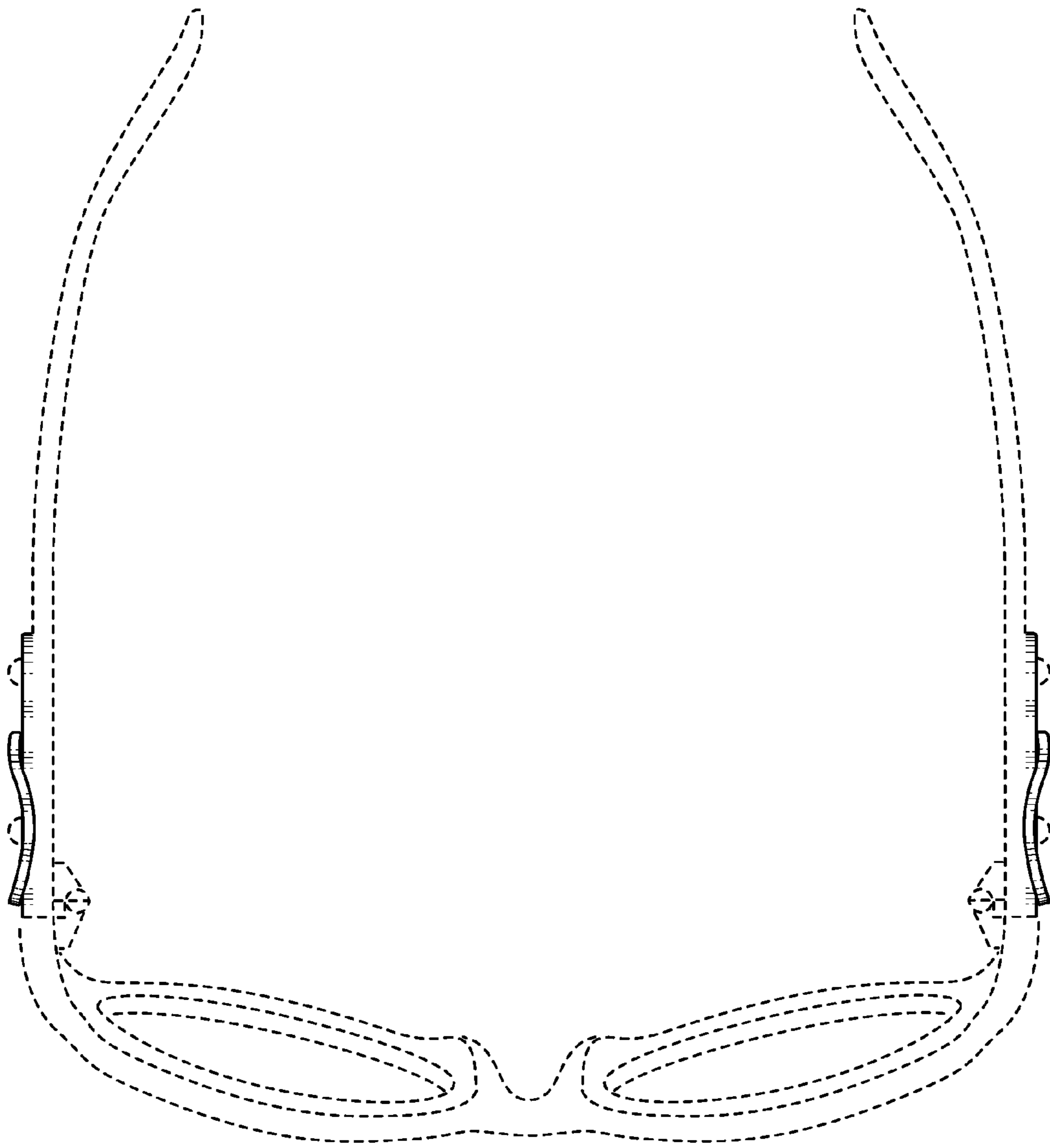


FIG. 7

UNITED STATES PATENT AND TRADEMARK OFFICE  
**CERTIFICATE OF CORRECTION**

PATENT NO. : D655,744 S  
APPLICATION NO. : 29/372335  
DATED : March 13, 2012  
INVENTOR(S) : Alvaro Gonzalez

Page 1 of 1

It is certified that error appears in the above-identified patent and that said Letters Patent is hereby corrected as shown below:

Title Page, (54) Title erroneously contains the trade name (ROUGE).

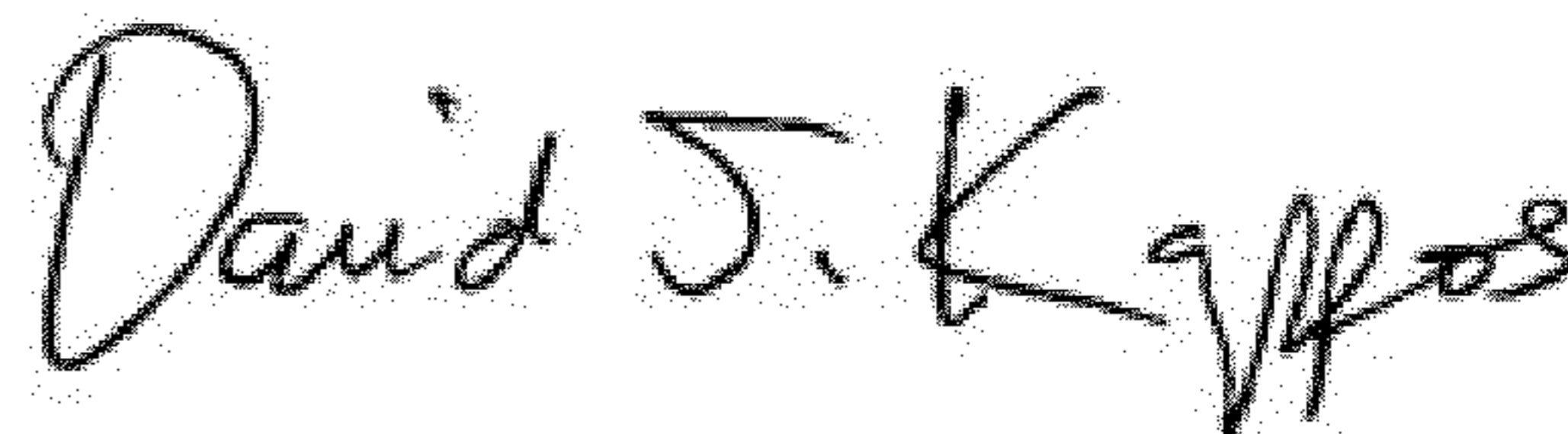
The corrected Title Page of the patent should read -  
(54) DECORATIVE ELEMENT FOR EYEWEAR

On the Title Page of the patent, (30) Foreign Application Priority Data is missing. This is erroneous.

The corrected face of the patent should read -  
(30) Foreign Application Priority Data

May 11, 2010 (EM).....0001706565-0007

Signed and Sealed this  
Tenth Day of July, 2012



David J. Kappos  
*Director of the United States Patent and Trademark Office*