



US00D655742S

(12) **United States Design Patent**  
**Bogle**

(10) **Patent No.:** **US D655,742 S**

(45) **Date of Patent:** **\*\* Mar. 13, 2012**

(54) **AUXILIARY CLIP-ON FOR EYEGLASSES**

D400,556 S \* 11/1998 Friedman ..... D16/330  
D411,854 S \* 7/1999 Friedman ..... D16/330  
D613,789 S \* 4/2010 Friedman ..... D16/330

(76) Inventor: **Kent Bogle**, Fort Worth, TX (US)

(\*\*) Term: **14 Years**

FOREIGN PATENT DOCUMENTS

CN 200720143236.6 4/2007

(21) Appl. No.: **29/352,393**

\* cited by examiner

(22) Filed: **Dec. 21, 2009**

*Primary Examiner* — Raphael Barkai

*Assistant Examiner* — Randall H Gholson

(51) **LOC (9) Cl.** ..... **16-06**

(74) *Attorney, Agent, or Firm* — Charles D. Gunter, Jr.

(52) **U.S. Cl.** ..... **D16/330**

(58) **Field of Classification Search** ..... D16/101,  
D16/300–342, 900; D2/866, 872, 873, 876,  
D2/879, 882; D24/110.2; 351/41, 44, 45,  
351/46, 51, 52, 61, 62, 92, 103–123, 130,  
351/140, 153, 158, 138; 2/13, 15, 426–432,  
2/441, 434–437, 447–449, 10, 209; D29/6,  
D29/9

(57) **CLAIM**

The ornamental design for an auxiliary clip-on for eyeglasses,  
as shown and described.

See application file for complete search history.

**DESCRIPTION**

FIG. 1 is a side, perspective view of the auxiliary clip-on for eyeglasses of the present invention, with the lenses illustrated in phantom lines as not forming a part of the claimed design; FIG. 2 is a side, perspective view of the auxiliary clip-on of the invention without the lenses shown in FIG. 1;

FIG. 3 is a front view thereof;

FIG. 4 is a rear view of the auxiliary clip-on of the invention;

FIG. 5 is a top view thereof;

FIG. 6 is a bottom view thereof; and,

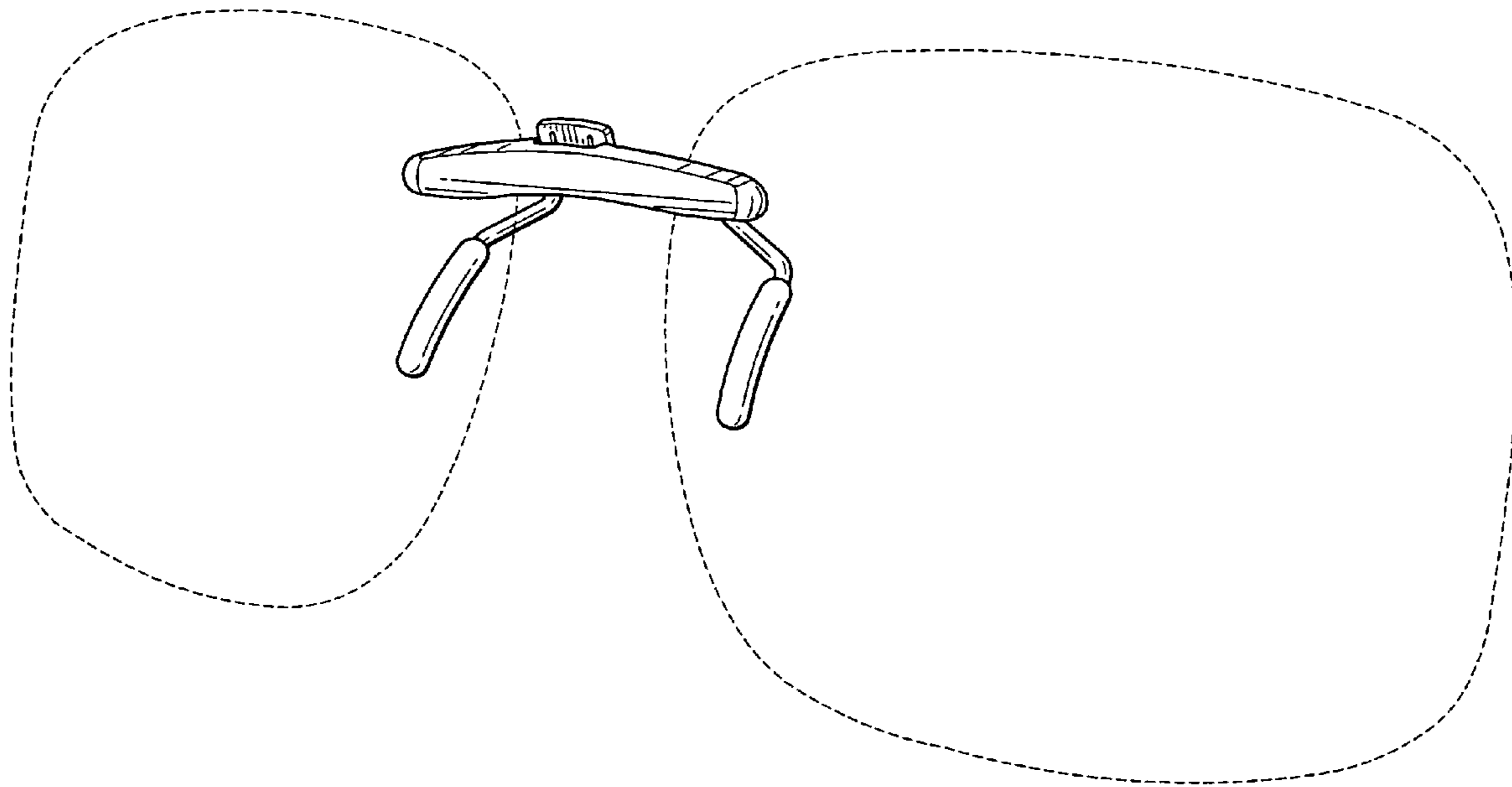
FIG. 7 is a left side view thereof, the right side being a mirror image thereof.

(56) **References Cited**

U.S. PATENT DOCUMENTS

3,876,295 A \* 4/1975 Loughner ..... 351/47  
4,163,607 A \* 8/1979 Nannini ..... 351/47  
5,164,749 A \* 11/1992 Shelton ..... 351/47  
D336,308 S \* 6/1993 Shelton ..... D16/330  
D345,367 S \* 3/1994 Wulf ..... D16/316  
D350,359 S \* 9/1994 Friedman ..... D16/334  
D373,782 S \* 9/1996 Shelton ..... D16/332

**1 Claim, 3 Drawing Sheets**



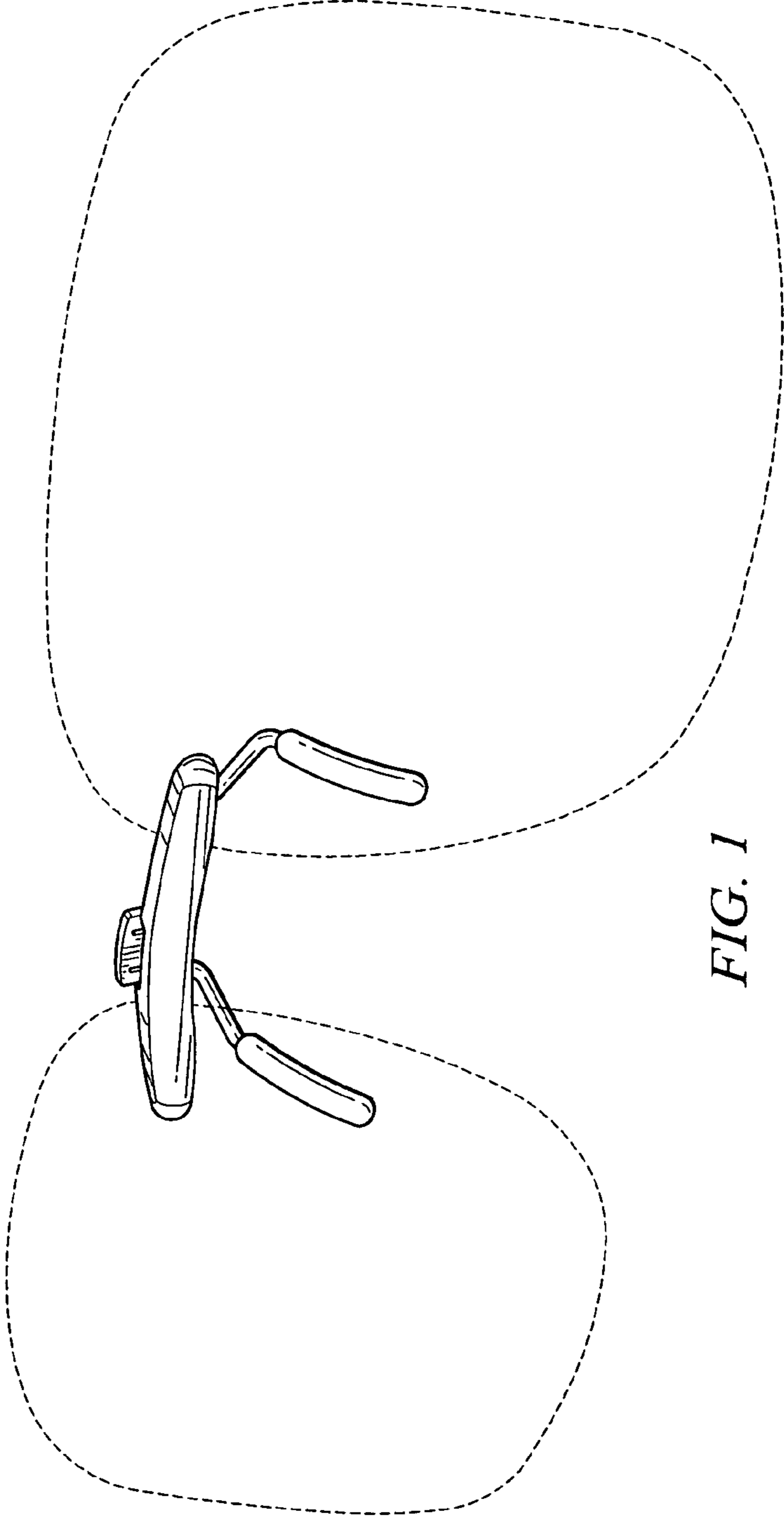
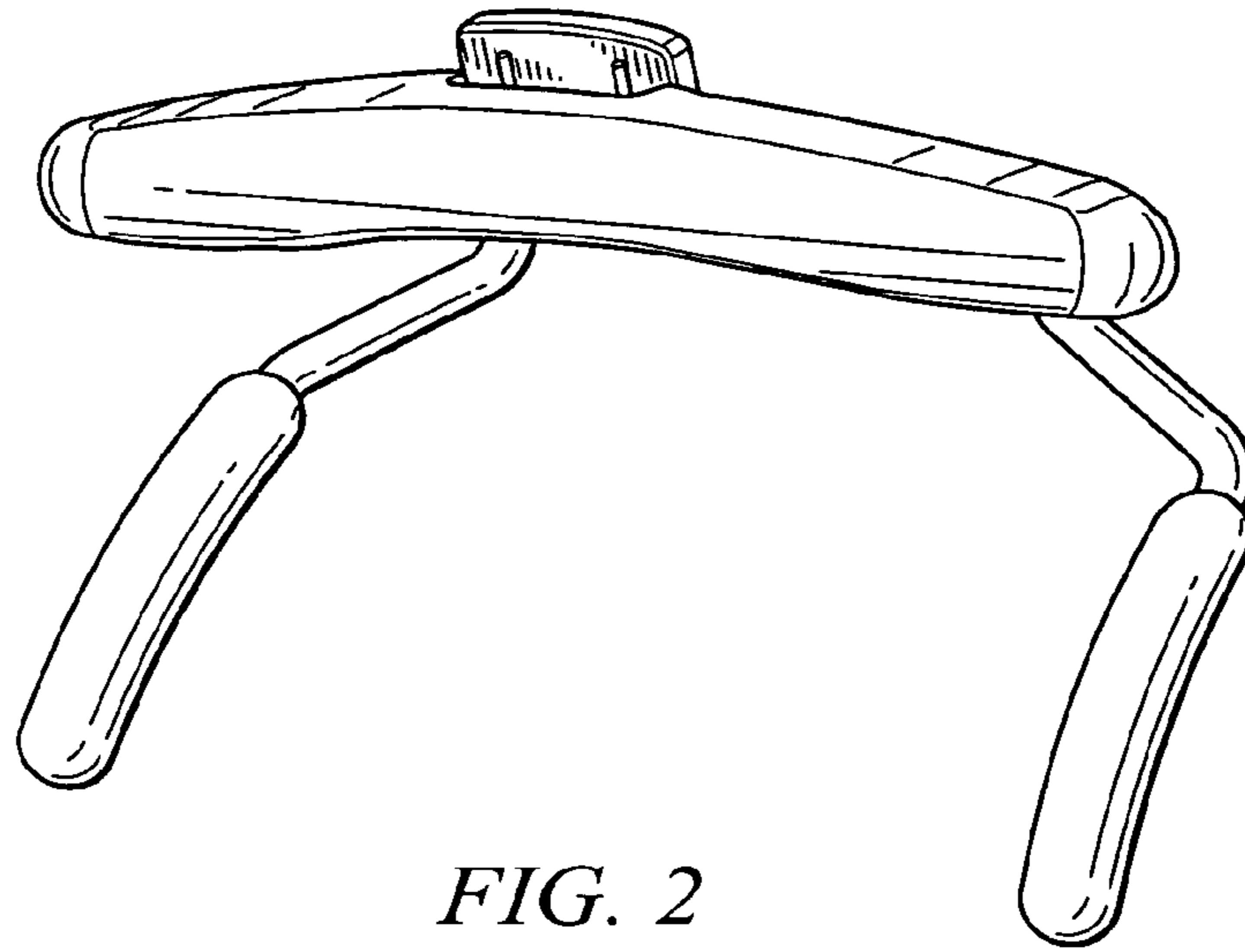
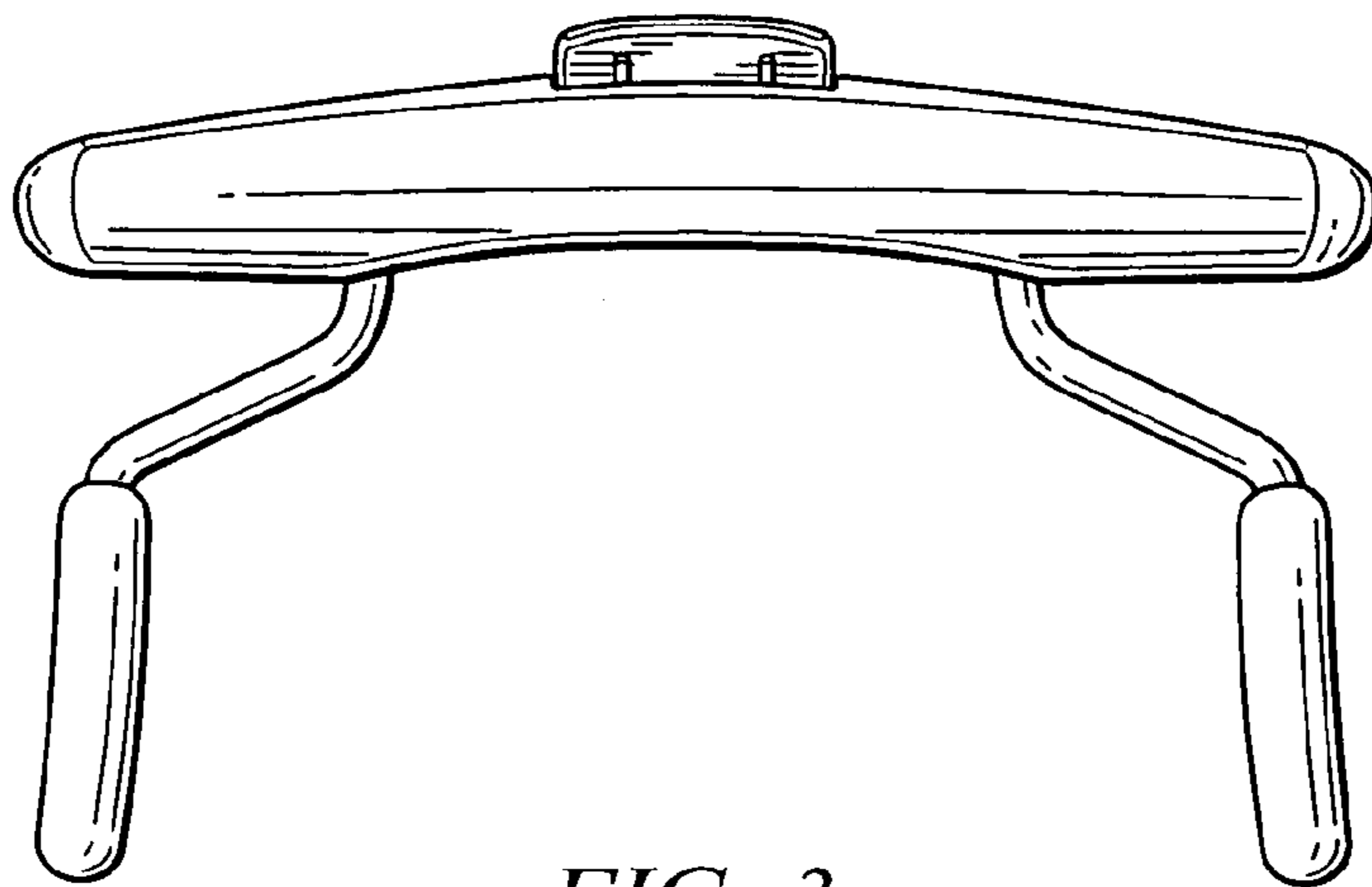


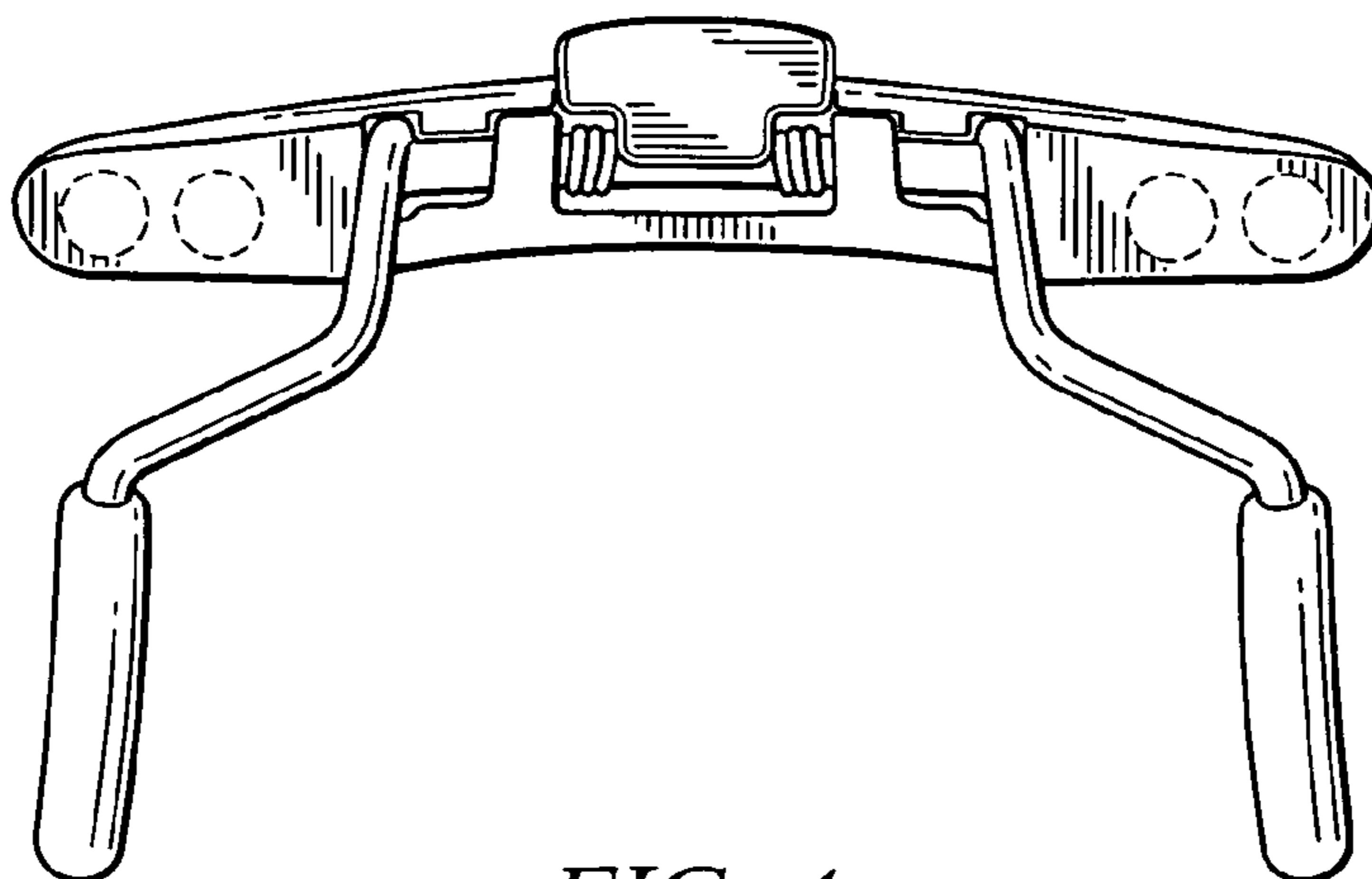
FIG. 1



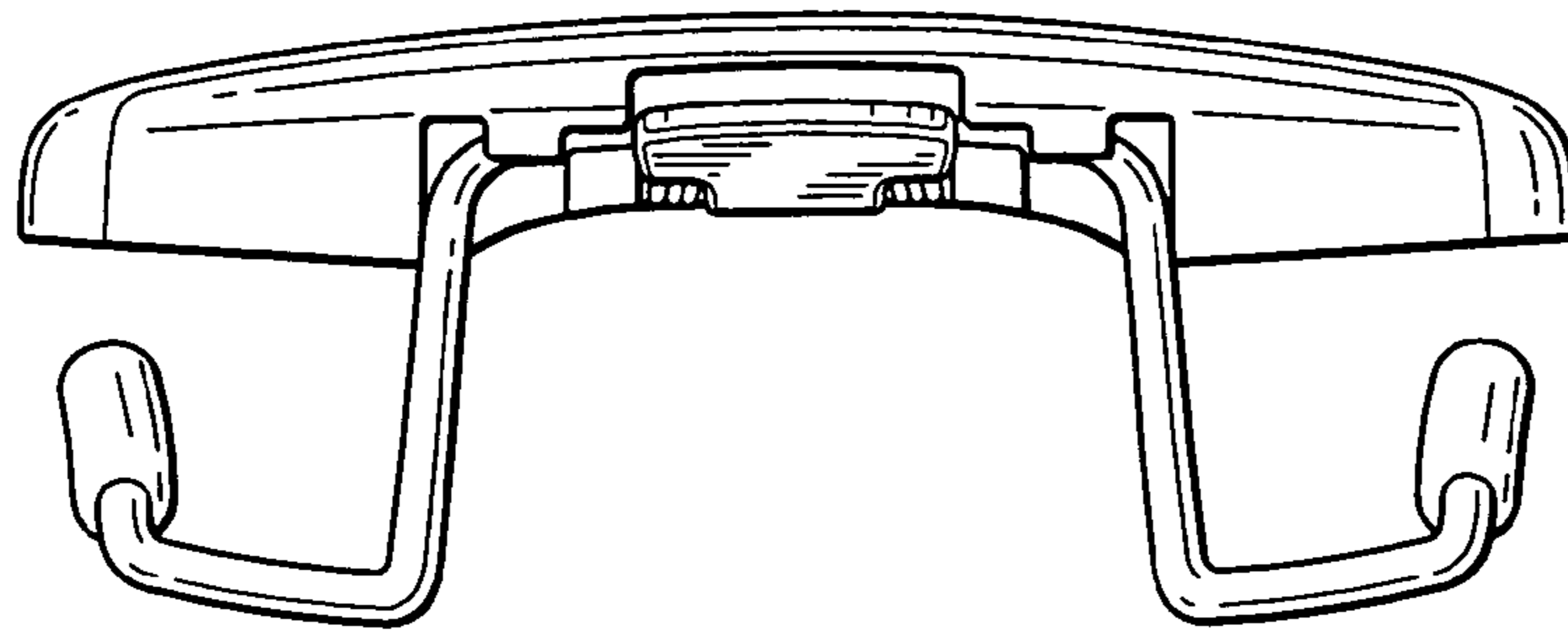
*FIG. 2*



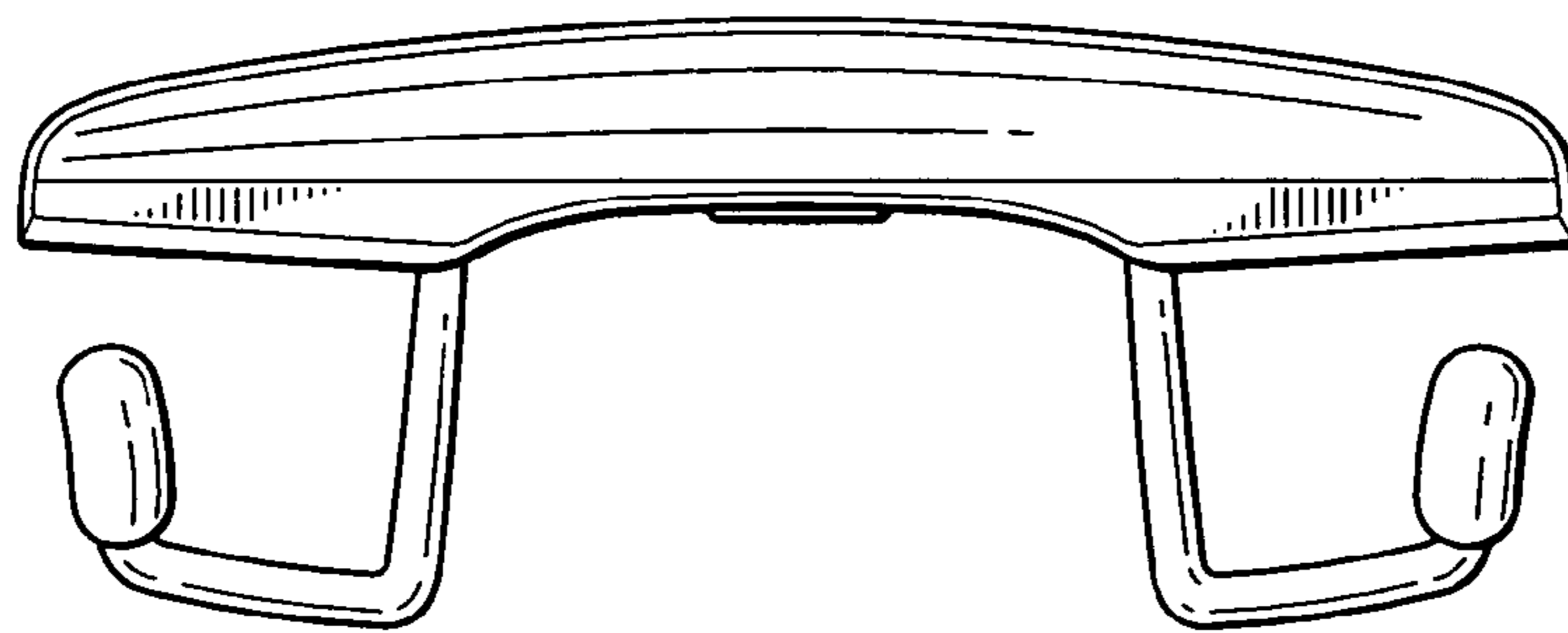
*FIG. 3*



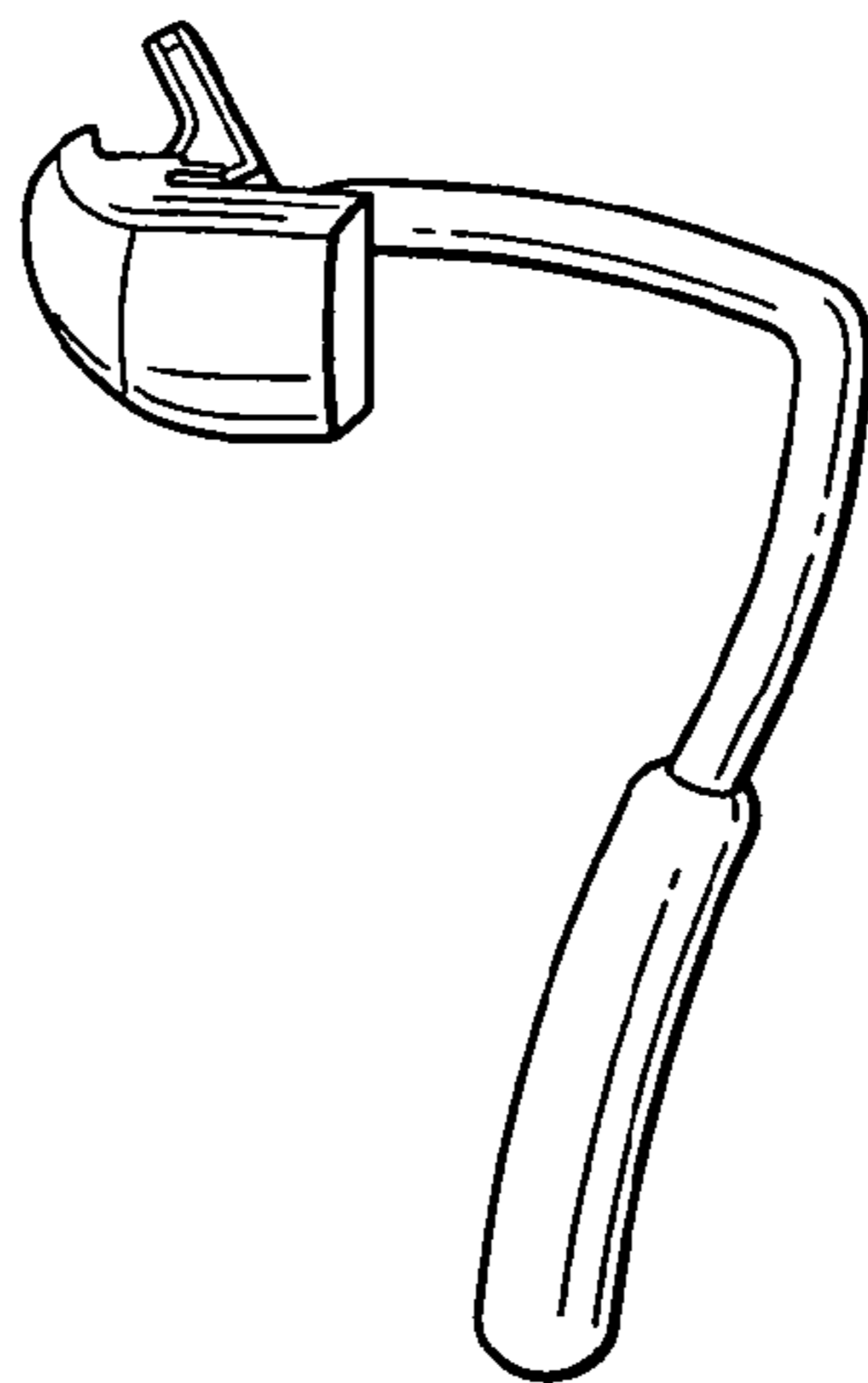
*FIG. 4*



*FIG. 5*



*FIG. 6*



*FIG. 7*