



US00D655737S

(12) **United States Design Patent**
Sheppard et al.

(10) **Patent No.:** **US D655,737 S**
(45) **Date of Patent:** **** Mar. 13, 2012**

(54) **DIGITAL VIDEO CAMERA WITH BUILT-IN CONNECTOR AND LENS**

(75) Inventors: **Nasahn Adam Sheppard**, Mill Valley, CA (US); **Maarten Dinger**, San Francisco, CA (US); **Allan Freas Velzy**, San Francisco, CA (US); **Peter Michaelian**, Tappan, NY (US); **Jaewon Samuel Kang**, Santa Clara, CA (US); **Lionel Jingles**, San Francisco, CA (US); **John Louis Warpakowski Furlan**, Belmont, CA (US); **Greg Allen Cummings**, San Francisco, CA (US)

(73) Assignee: **Cisco Technology, Inc.**, San Jose, CA (US)

(**) Term: **14 Years**

(21) Appl. No.: **29/388,260**

(22) Filed: **Mar. 25, 2011**

Related U.S. Application Data

(63) Continuation of application No. 29/365,790, filed on Jul. 14, 2010, now Pat. No. Des. 636,425, which is a continuation of application No. 29/354,577, filed on Jan. 26, 2010, now Pat. No. Des. 621,434, which is a continuation of application No. 29/328,155, filed on Nov. 19, 2008, now Pat. No. Des. 610,600, which is a continuation of application No. 29/304,515, filed on Mar. 3, 2008, now Pat. No. Des. 591,321.

(51) **LOC (9) Cl.** **16-05**

(52) **U.S. Cl.** **D16/219**

(58) **Field of Classification Search** D13/133, D13/147; D14/356; D16/200–204, 208, D16/218, 219; 348/373–376; 396/535, 540, 396/541

See application file for complete search history.

(56) **References Cited**

U.S. PATENT DOCUMENTS

7,025,275	B2 *	4/2006	Huang et al.	235/486
D608,813	S *	1/2010	Hong et al.	D16/218
D617,821	S *	6/2010	Kaplan et al.	D16/202
D632,324	S *	2/2011	Dinger et al.	D16/202
D639,329	S *	6/2011	Kaplan et al.	D16/219
2009/0109329	A1 *	4/2009	Cummings et al.	348/374

* cited by examiner

Primary Examiner — Adir Aronovich

(74) *Attorney, Agent, or Firm* — Patterson & Sheridan LLP

(57) **CLAIM**

The ornamental design for digital video camera with built-in connector and lens, as shown and described.

DESCRIPTION

FIG. 1 is a front perspective view of a digital video camera with built-in connector and lens, a connector being in an extended position.

FIG. 2 is a rear perspective view thereof, with the connector being in an extended position.

FIG. 3 is a right side elevational view thereof, with the connector being in an extended position.

FIG. 4 is a left side elevational view thereof, with the connector being in an extended position.

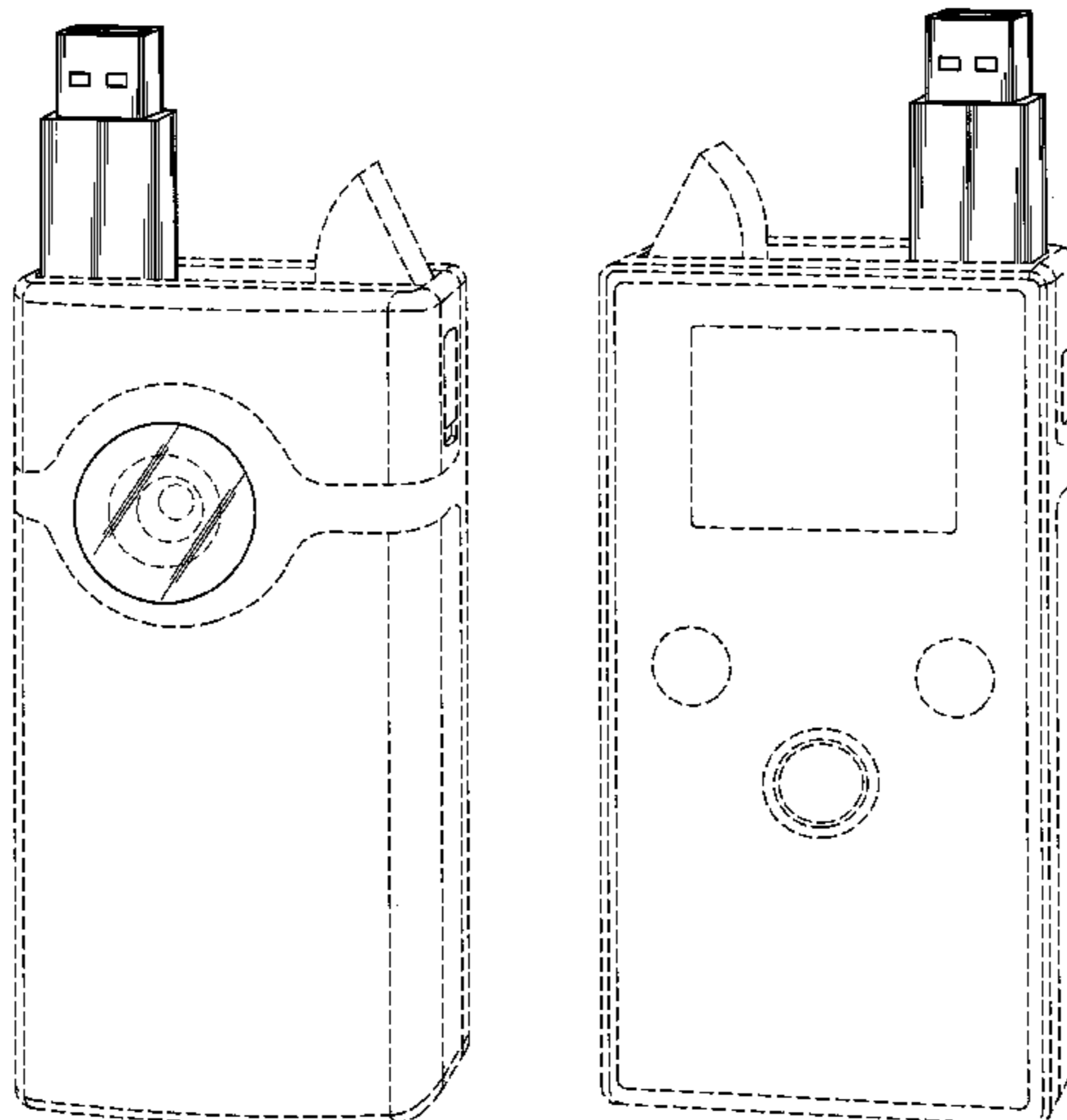
FIG. 5 is a top plan view thereof, with the connector being in an extended position.

FIG. 6 is a front elevational view thereof, with the connector being in an extended position; and,

FIG. 7 is a rear elevational view thereof, with the connector being in an extended position.

The portions of broken lines in all figures illustrate contour of a camera and the transparent surface shading on the lens member represents the reflective nature of the lens. None of the broken lines form part of the claimed region.

1 Claim, 6 Drawing Sheets



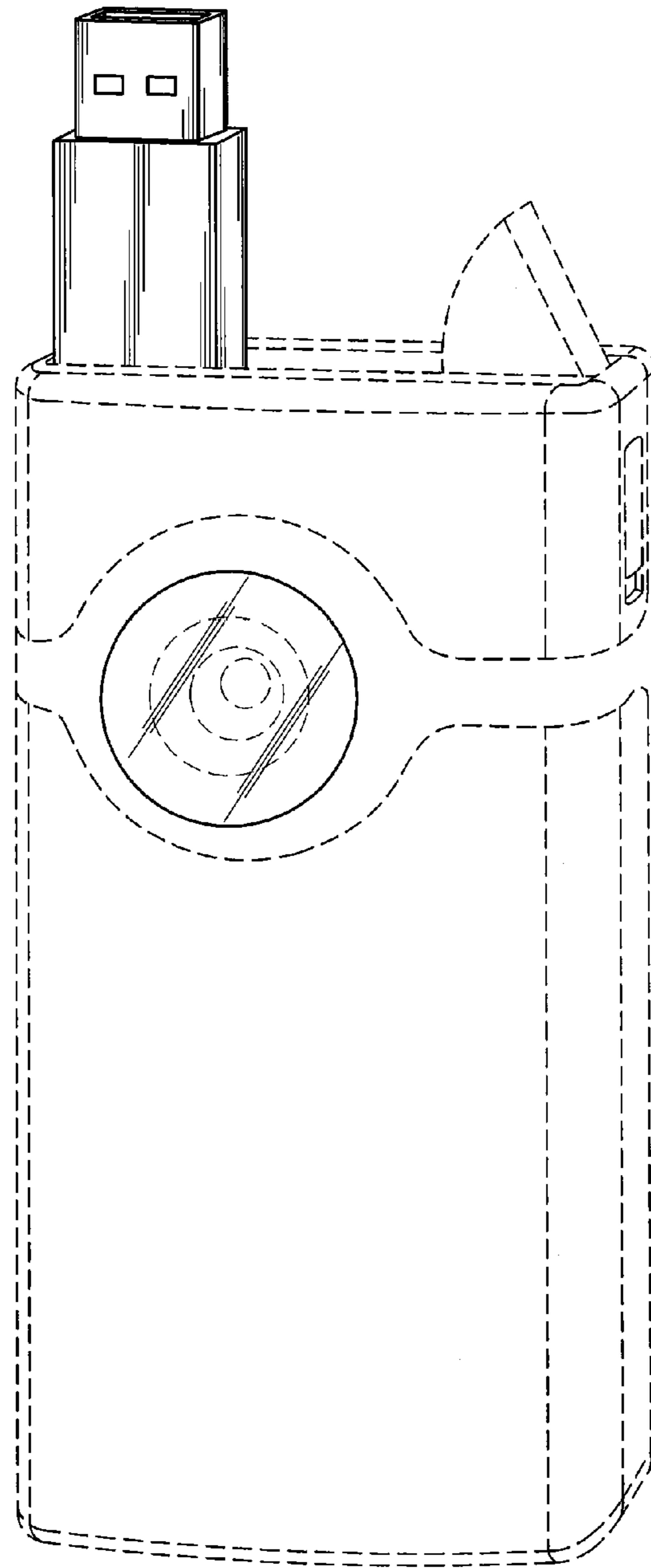


FIG. 1

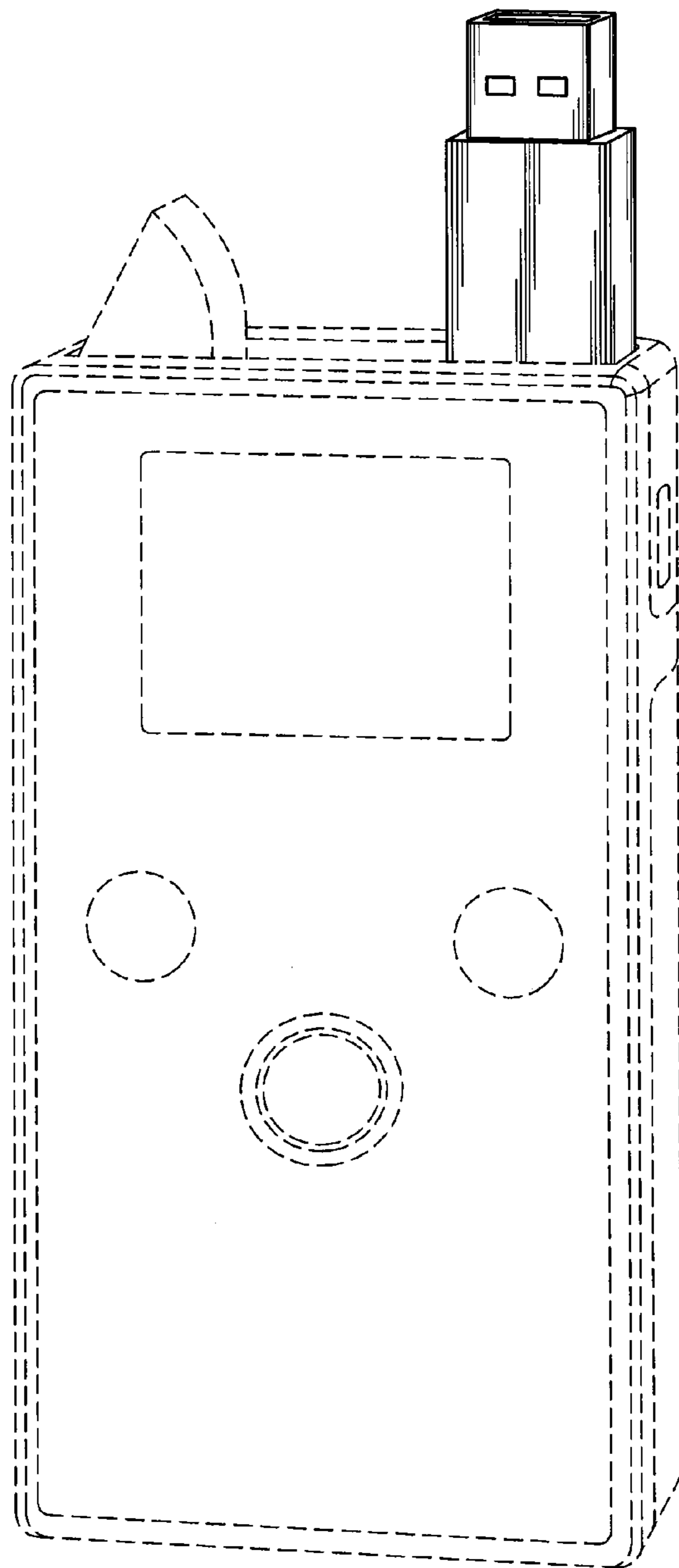


FIG. 2

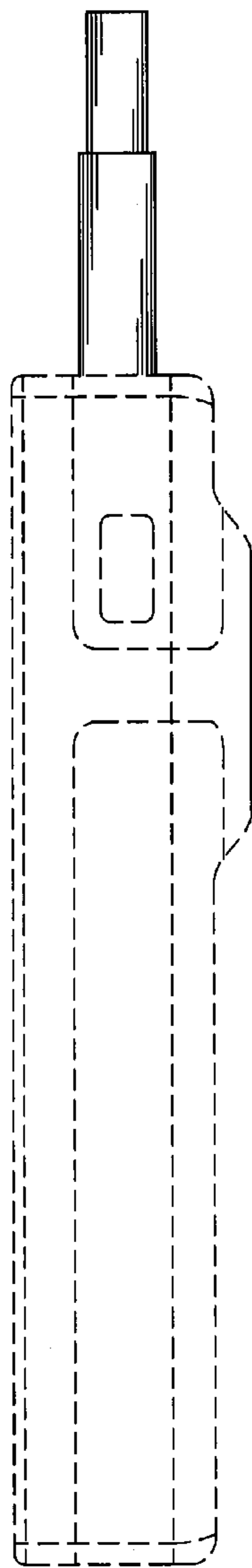


FIG. 3

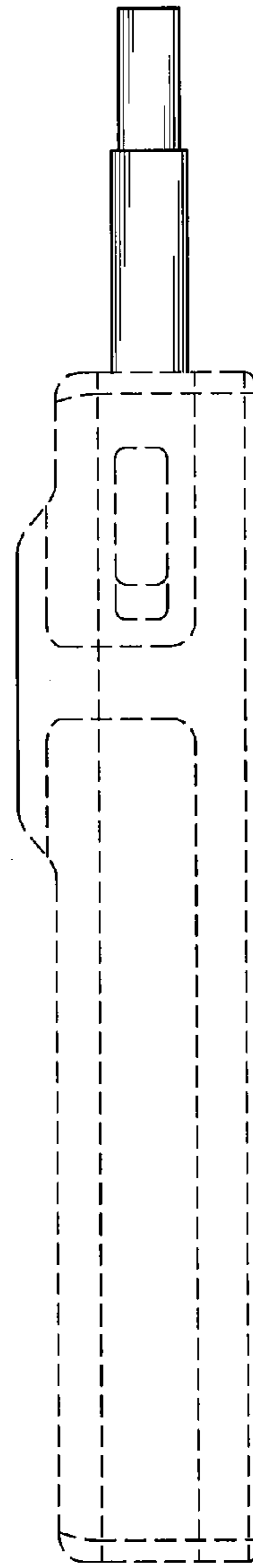


FIG. 4

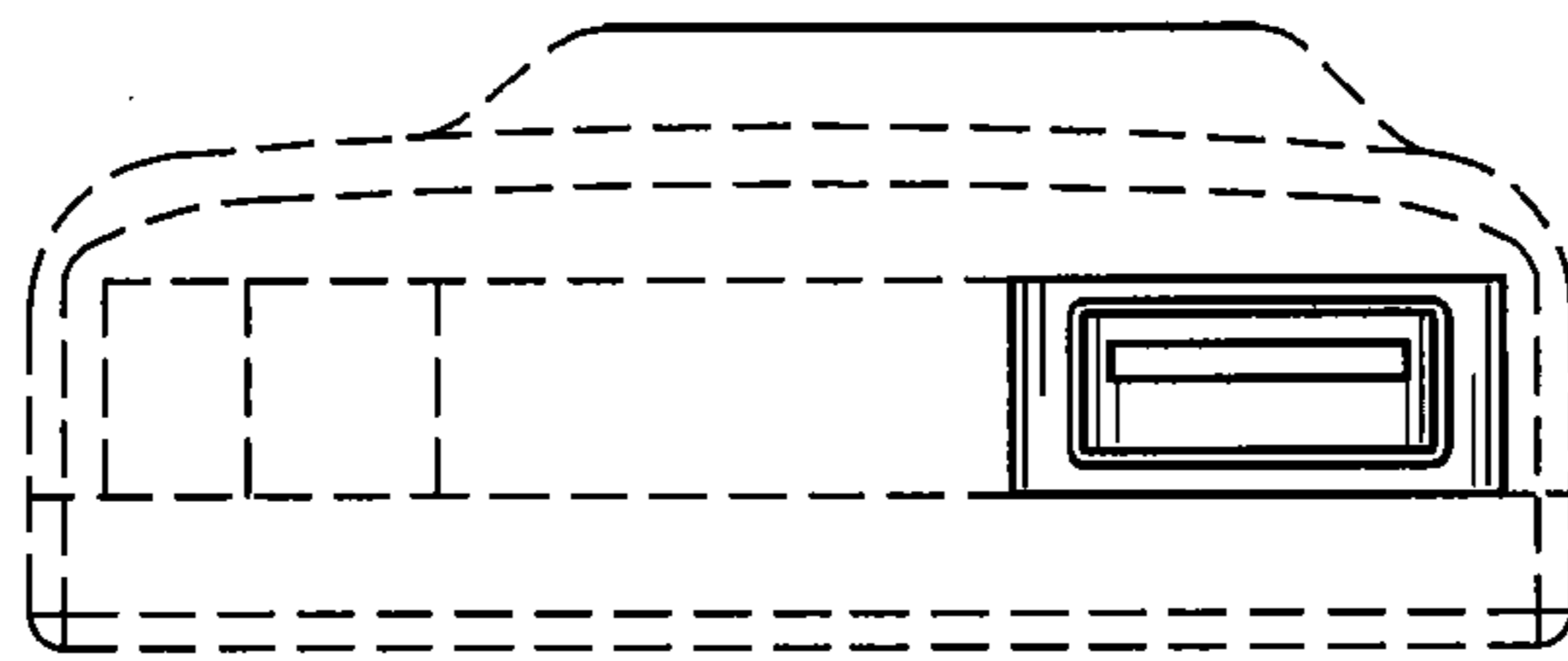


FIG. 5

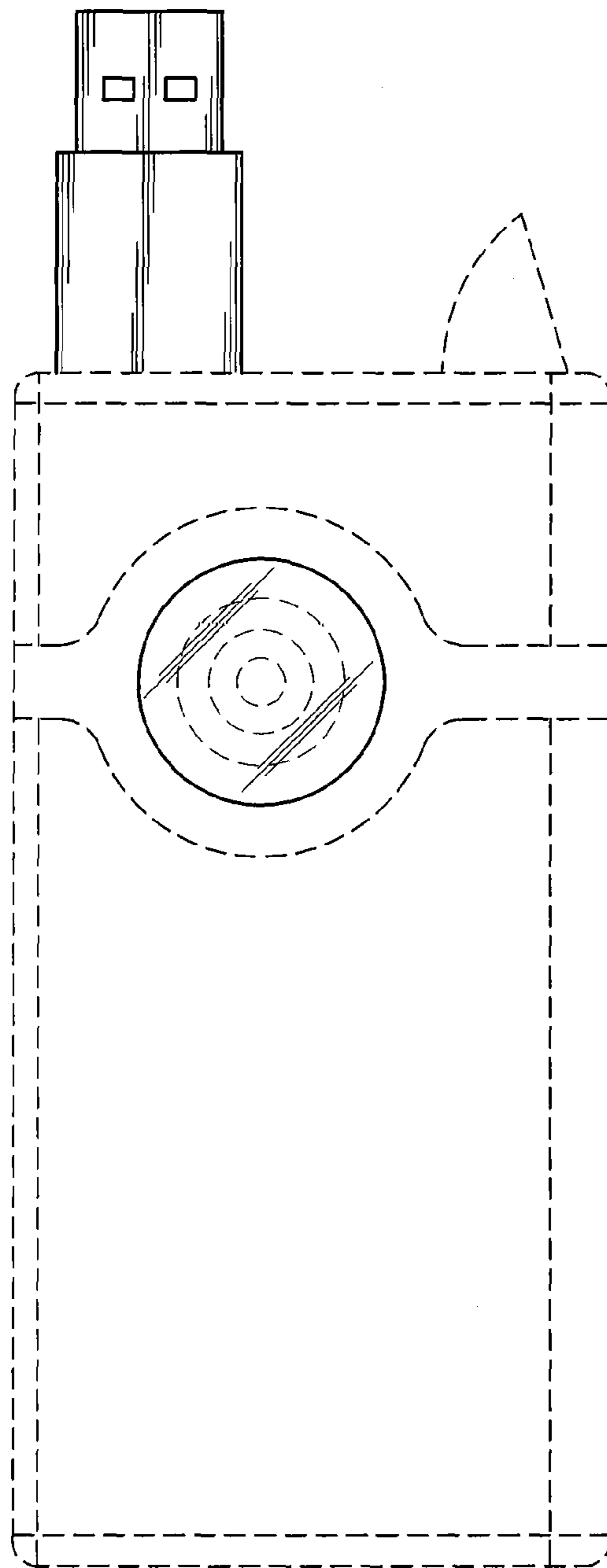


FIG.6

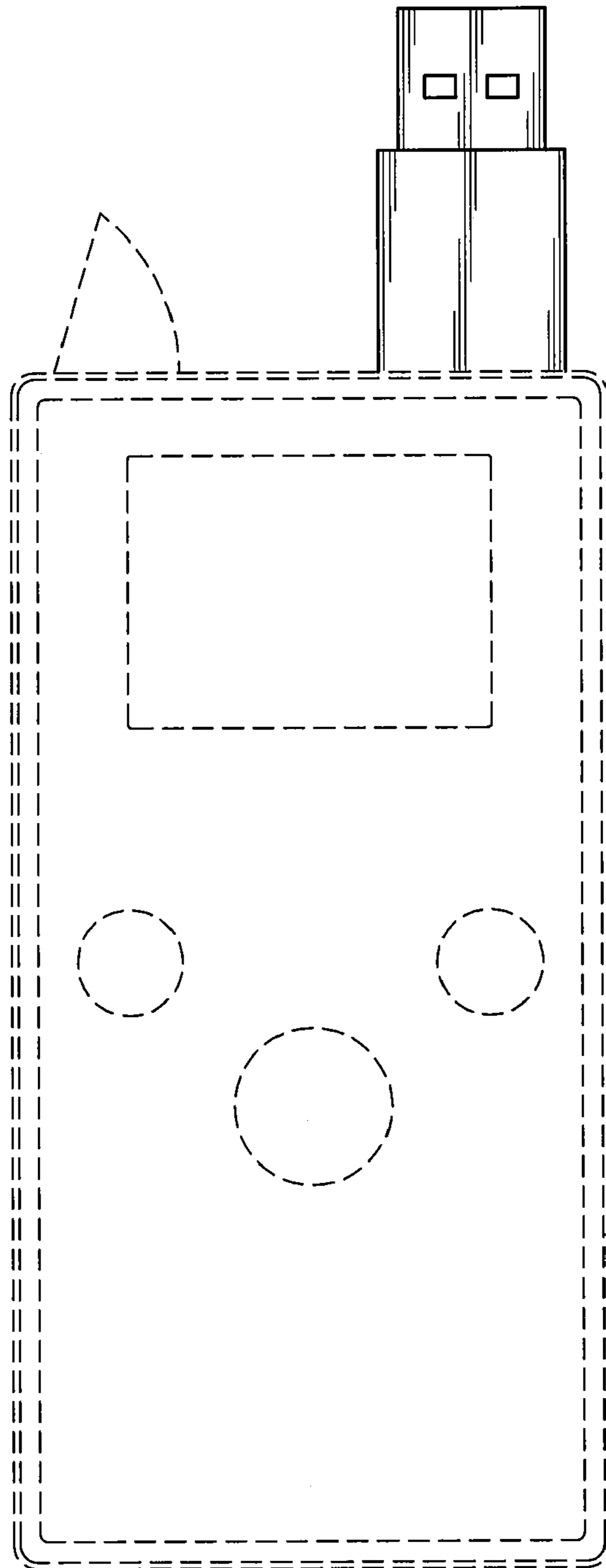


FIG.7