



US00D655733S

(12) **United States Design Patent**
Huschka

(10) **Patent No.:** **US D655,733 S**
(45) **Date of Patent:** **** Mar. 13, 2012**

(54) **CIRCULAR EYEGLASS LENS WITH CIRCULAR APERTURE**

D475,732 S 6/2003 Conner
6,616,274 B1 9/2003 Sabia et al.
D622,748 S 8/2010 Huschka

(76) Inventor: **Todd Huschka**, Whitefish Bay, WI (US)

* cited by examiner

(**) Term: **14 Years**

Primary Examiner — Raphael Barkai

(21) Appl. No.: **29/376,292**

(74) *Attorney, Agent, or Firm* — Montgomery Patent & Design, LLC; Robert C. Montgomery; Joseph T. Yaksich

(22) Filed: **Oct. 5, 2010**

(57) **CLAIM**

(51) **LOC (9) Cl.** **16-06**

The ornamental design for a circular eyeglass lens with circular aperture, as shown and described.

(52) **U.S. Cl.** **D16/101; D16/306; D16/317**

(58) **Field of Classification Search** D16/101, D16/300-342; D29/109-110; D24/110.2; 351/41, 44, 51-52, 62, 158, 92, 103-123, 351/140, 153, 45-46; 2/426-432, 447-449, 2/441, 434-437, 13, 15; D21/483, 659-661
See application file for complete search history.

DESCRIPTION

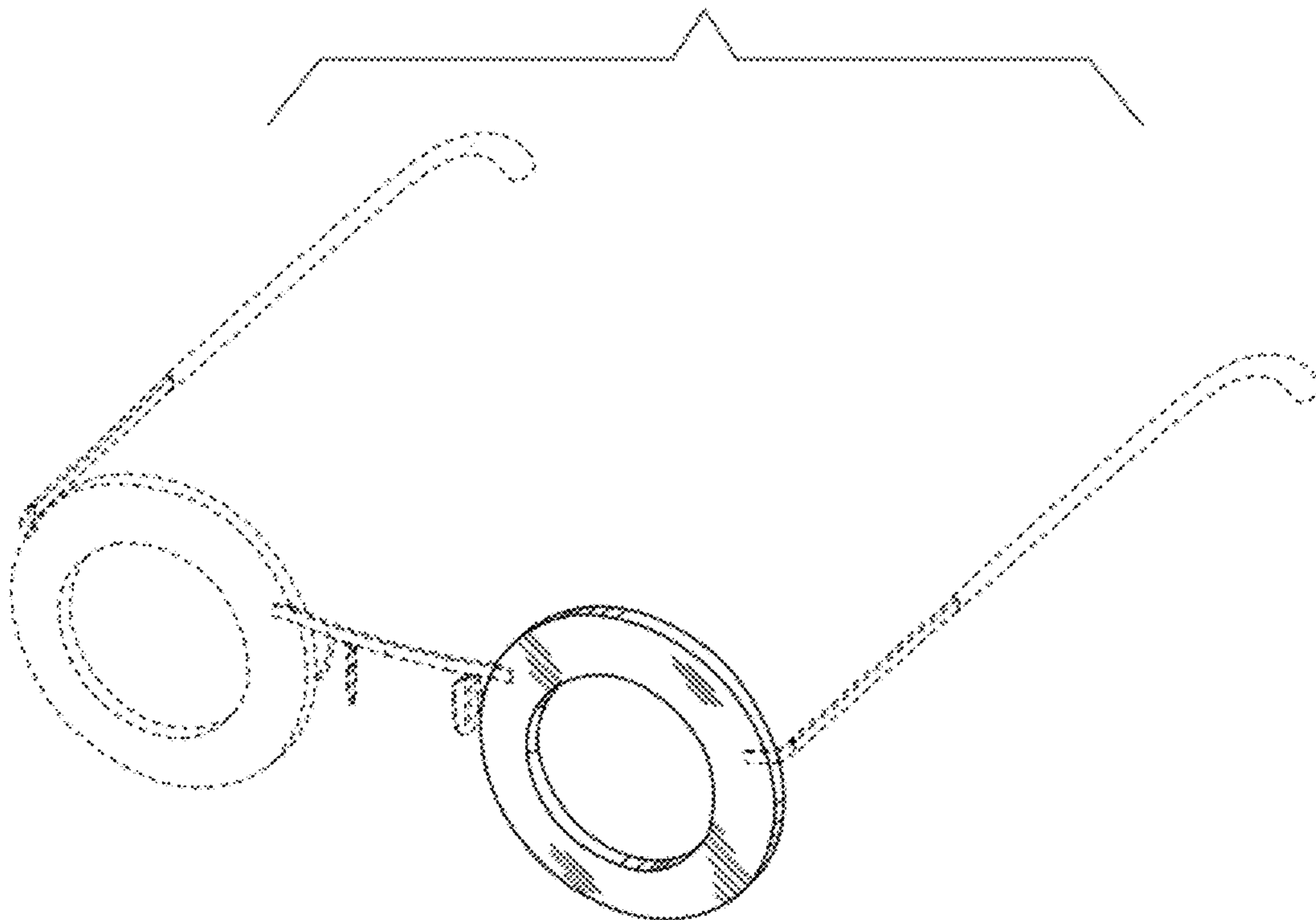
(56) **References Cited**

U.S. PATENT DOCUMENTS

D199,934 S	12/1964	Blair	
4,451,127 A	5/1984	Moffitt, Jr.	
D282,934 S *	3/1986	Marks	D16/304
5,118,178 A	6/1992	Tuckman	
D404,053 S	1/1999	Hsieh	
D408,432 S *	4/1999	Jumara	D16/315
D424,595 S *	5/2000	Polland	D16/315
6,174,059 B1 *	1/2001	Haley	351/41
D437,340 S	2/2001	Yeh	
D446,237 S	8/2001	Koevari	
D451,119 S	11/2001	Koevari	

FIG. 1 is a front environmental view of a pair of circular eyeglass lenses with circular aperture, showing my new design;
FIG. 2 is a front perspective view of a circular eyeglass lenses with circular aperture;
FIG. 3 is a front view thereof;
FIG. 4 is a rear view thereof;
FIG. 5 is a left side view thereof with a right side being a mirror image; and,
FIG. 6 is a top view thereof with a bottom view being an mirror image.
The broken line showing of a second circular eyeglass lens with circular aperture and an eyeglasses frame shown in FIG. 1 is for the purpose of illustrating environment and forms no part of the claimed design.

1 Claim, 5 Drawing Sheets



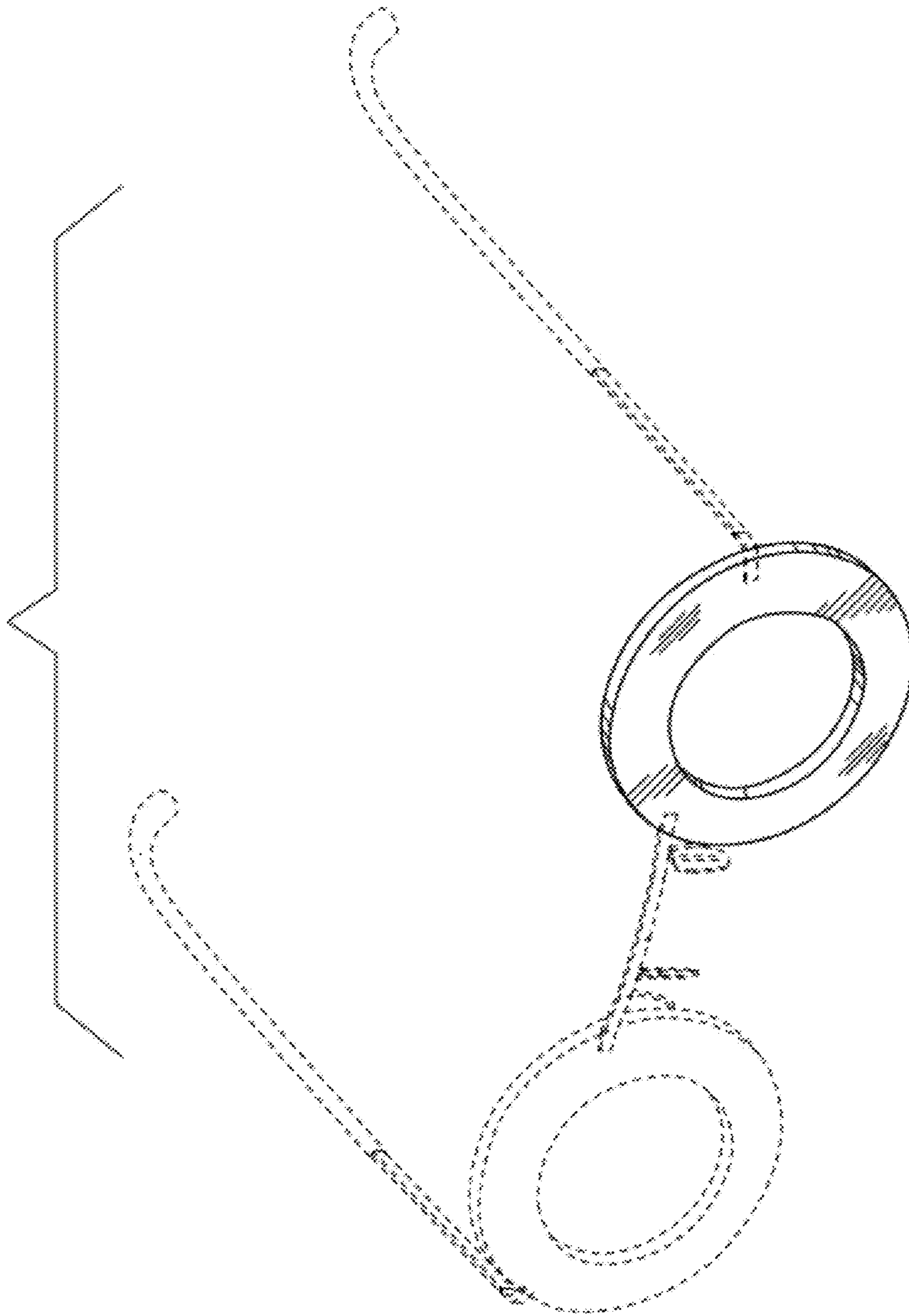


Fig. 1

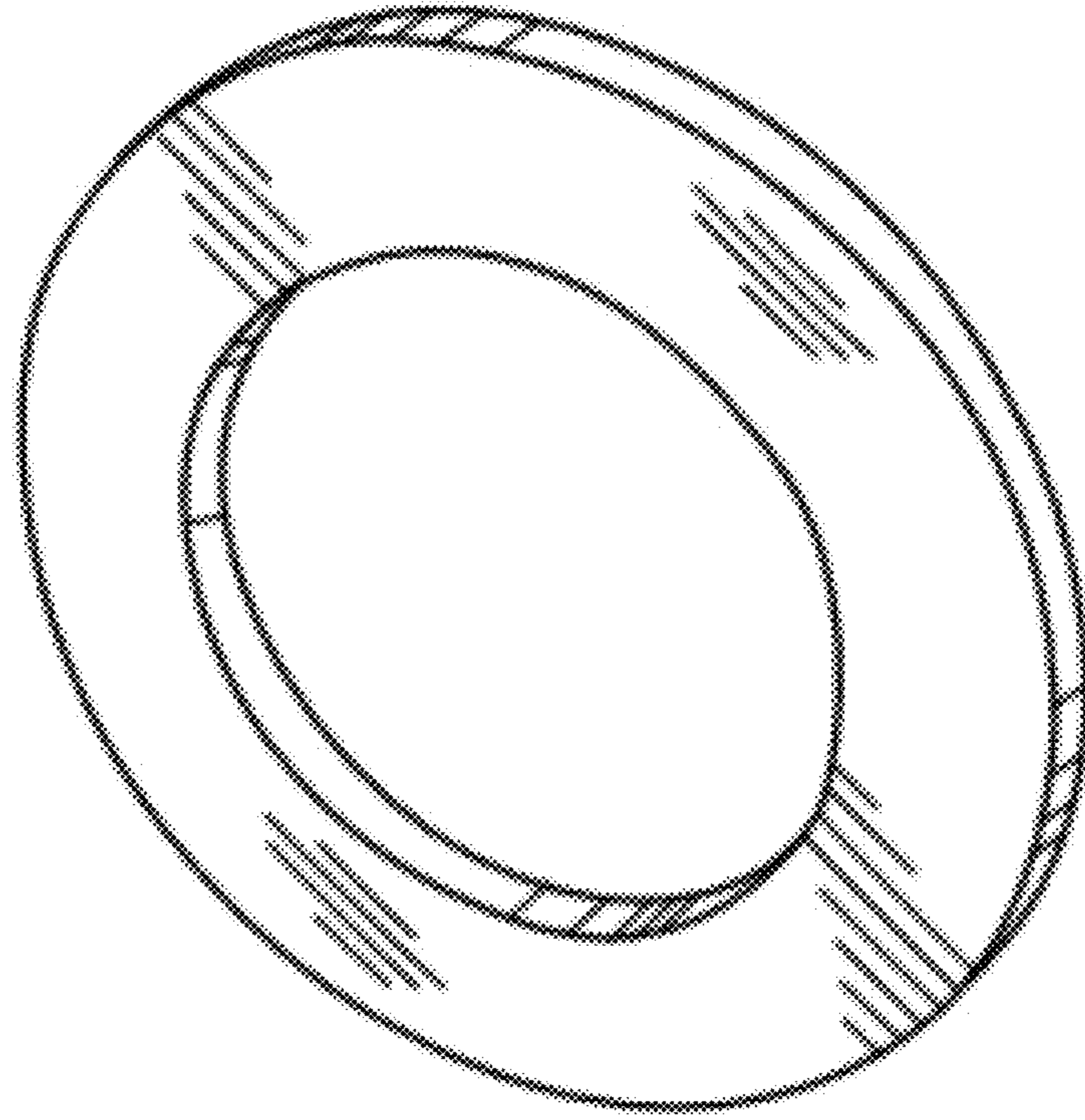


Fig. 2

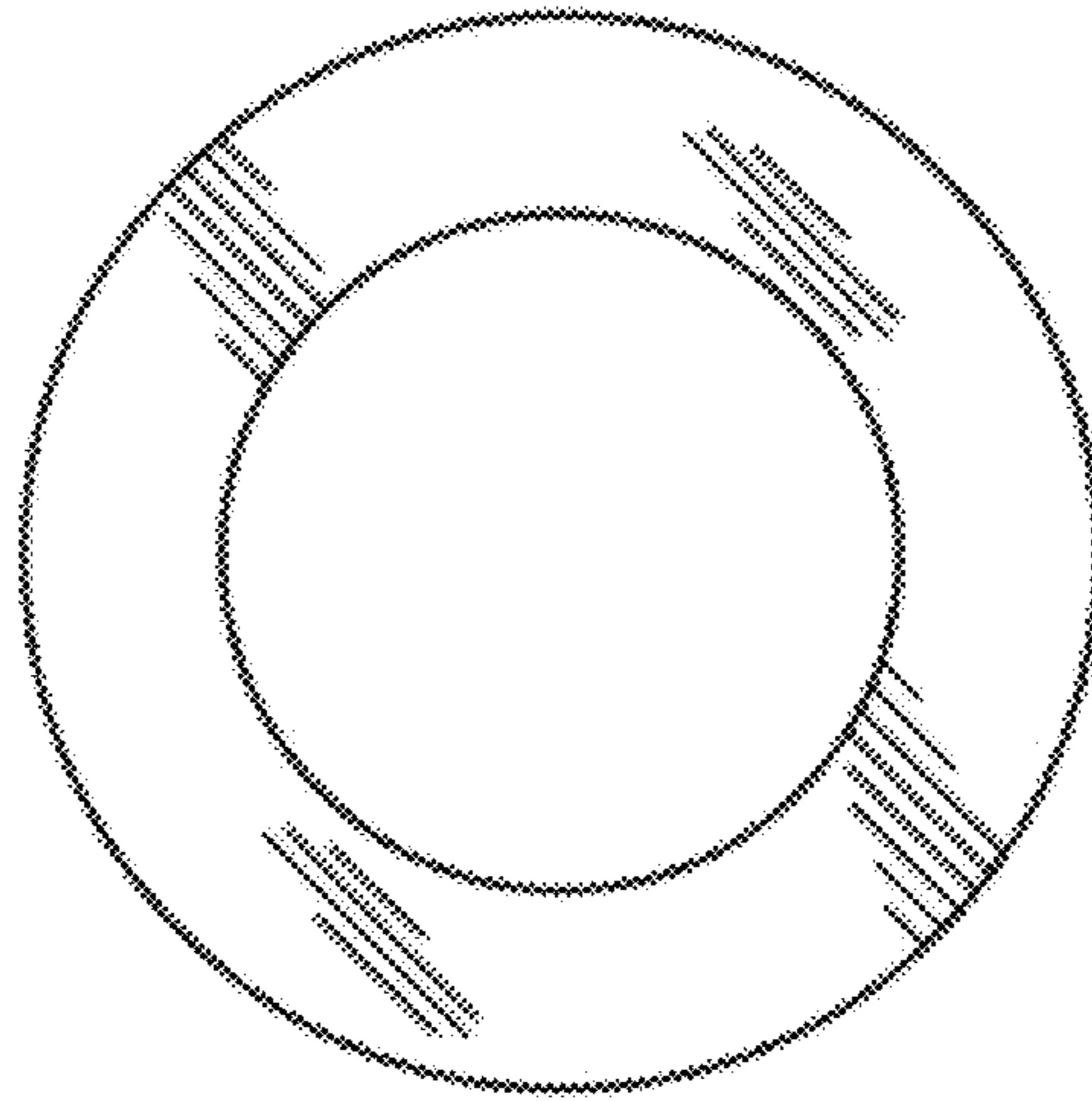


Fig. 3

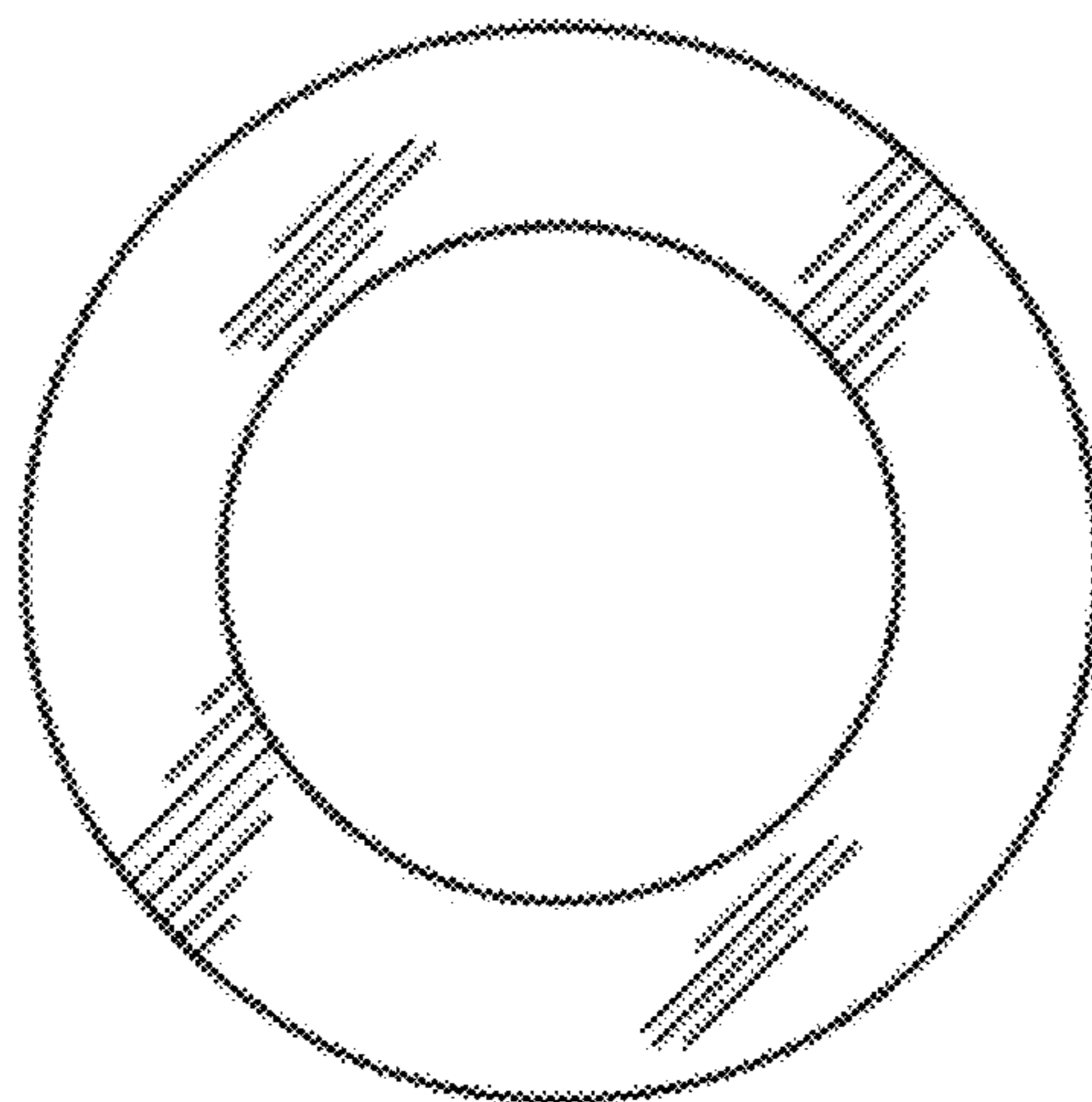


Fig. 4

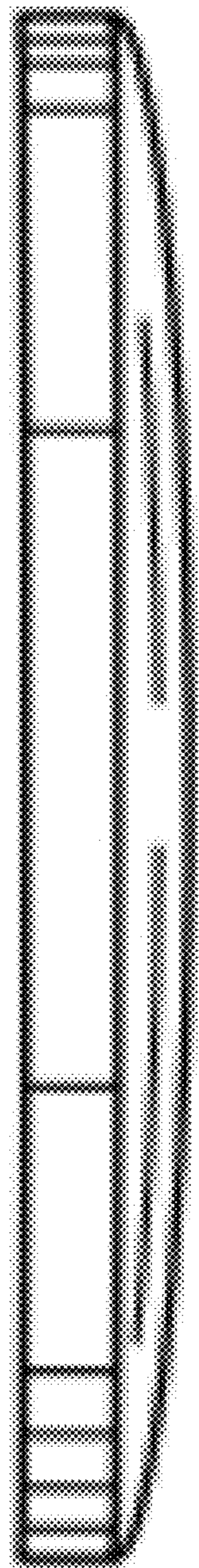


Fig. 5



Fig. 6