



US00D655731S

(12) **United States Design Patent**
Cox et al.

(10) **Patent No.:** **US D655,731 S**
(45) **Date of Patent:** **** Mar. 13, 2012**

(54) **CUTTING TOOL**

- (75) Inventors: **William W. Cox**, Louisville, KY (US);
George R. Sotsky, Louisville, KY (US)
- (73) Assignee: **Republic Machine, Inc.**, Louisville, KY (US)
- (**) Term: **14 Years**
- (21) Appl. No.: **29/394,063**
- (22) Filed: **Jun. 13, 2011**

Related U.S. Application Data

- (63) Continuation of application No. 13/111,468, filed on May 19, 2011, which is a continuation-in-part of application No. 12/488,166, filed on Jun. 19, 2009, now Pat. No. 7,959,099.
- (51) **LOC (9) Cl.** **15-09**
- (52) **U.S. Cl.** **D15/139**
- (58) **Field of Classification Search** D8/70;
D15/138, 139, 140; 407/35, 42, 77, 107-120
See application file for complete search history.

(56) **References Cited**

U.S. PATENT DOCUMENTS

2,660,242 A 11/1953 Lane
(Continued)

FOREIGN PATENT DOCUMENTS

DE 4005647 A1 8/1990

Primary Examiner — Patricia Palasik

(74) *Attorney, Agent, or Firm* — Middleton Reutlinger;
James E. Cole

(57) **CLAIM**

The ornamental design for a cutting tool, as shown and described.

DESCRIPTION

FIG. 1 is a lower front perspective view of the cutting tool design;

FIG. 2 is an upper rear perspective view of the cutting tool design of FIG. 1;

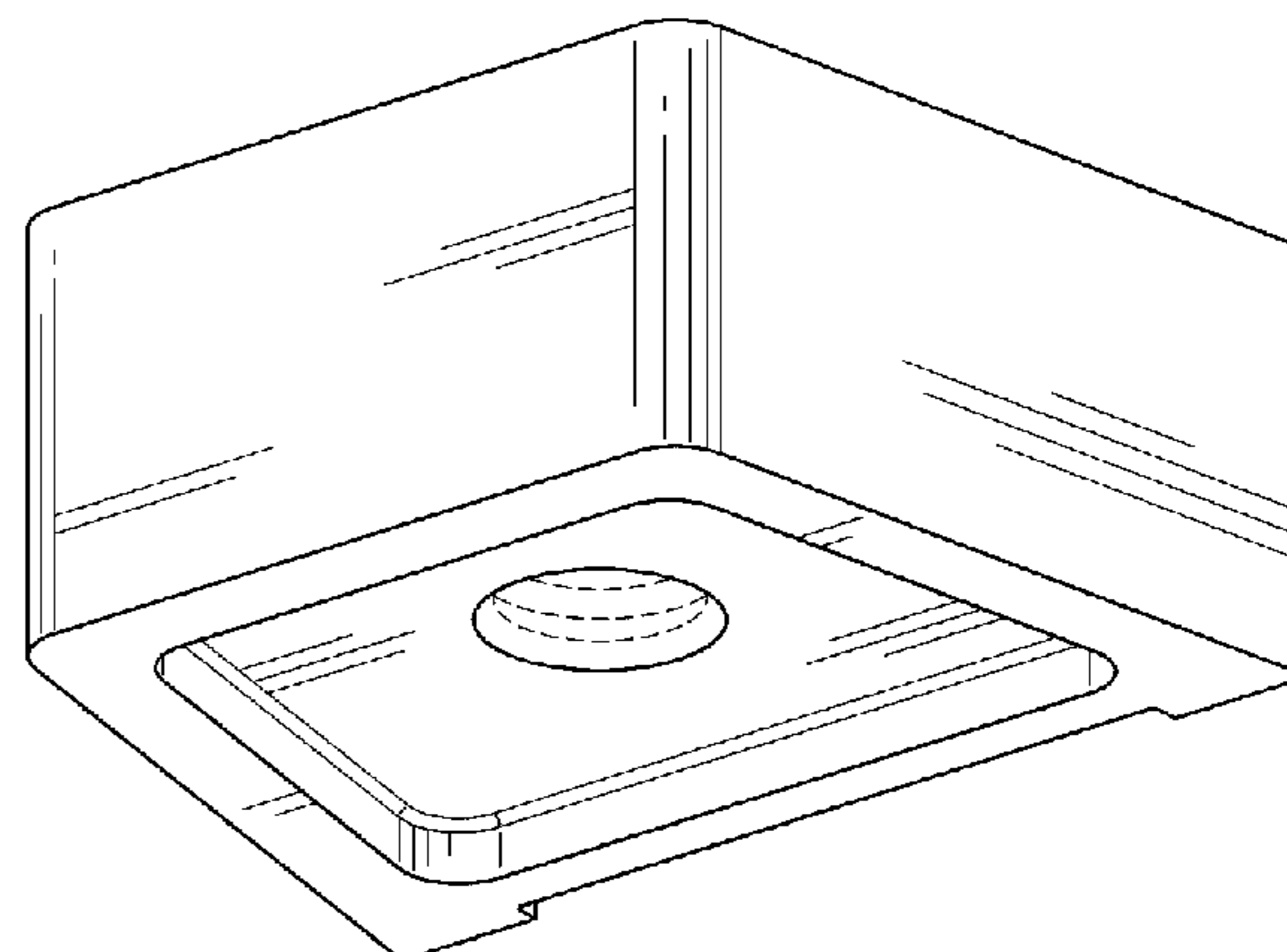
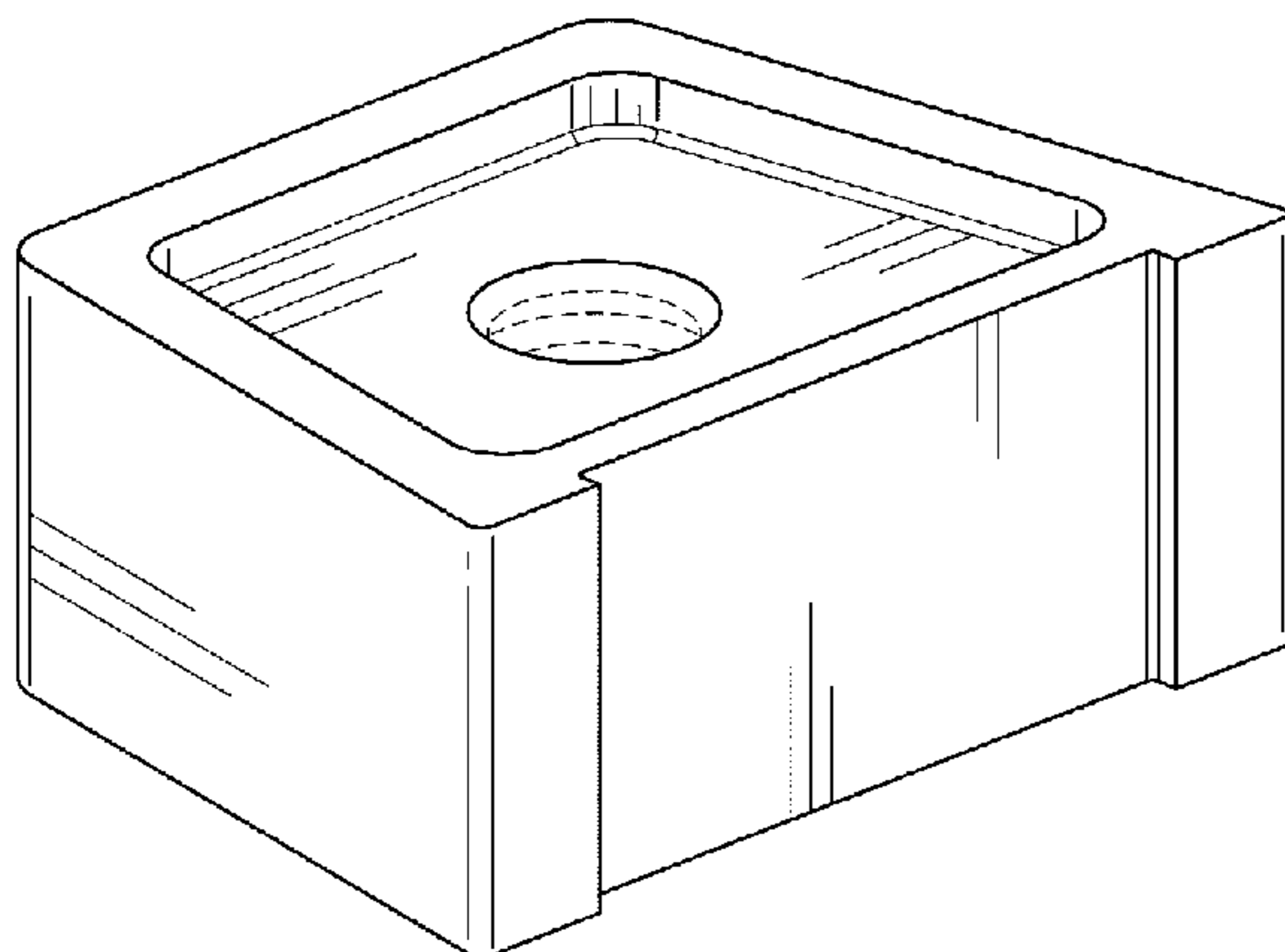
FIG. 3 is a front view of the cutting tool design of FIG. 1 wherein the rear view is a mirror image and is not included;

FIG. 4 is a left side view of the cutting tool design of FIG. 1 wherein the right side view is a mirror image and is not included;

FIG. 5 is a top view of the cutting tool design of FIG. 1; and,

FIG. 6 is a bottom view of the cutting tool design of FIG. 1. The broken lines showing environmental structure are for illustrative purposes only and form no part of the claimed design.

1 Claim, 6 Drawing Sheets



US D655,731 S

Page 2

U.S. PATENT DOCUMENTS

3,662,444	A	5/1972	Erkfritz				
3,694,876	A	10/1972	Erkfritz				
3,716,900	A	2/1973	Erkfritz				
3,818,561	A *	6/1974	Montana et al.	407/46		
4,247,232	A	1/1981	McCreery et al.				
4,507,024	A	3/1985	Stashko				
4,785,860	A	11/1988	Arasmith				
5,192,171	A	3/1993	Ther et al.				
5,199,827	A	4/1993	Pantzar				
5,207,748	A	5/1993	Katbi et al.				
D340,464	S	10/1993	Markusson et al.				
5,454,671	A *	10/1995	Qvarth	407/42		
D367,866	S	3/1996	Pantzar et al.				
D369,362	S	4/1996	Pantzar et al.				
5,544,984	A	8/1996	Pantzar				
5,653,274	A	8/1997	Johnson et al.				
5,653,275	A *	8/1997	Stewart	144/373		
D409,633	S	5/1999	Bernadic et al.				
6,035,844	A	3/2000	Otani et al.				
6,059,210	A *	5/2000	Smith	241/189.1		
6,142,400	A *	11/2000	Balvanz et al.	241/191		
6,158,928	A	12/2000	Hecht				
6,176,445	B1	1/2001	Shinn				
6,234,724	B1	5/2001	Satran et al.				
6,305,623	B1	10/2001	Sotsky et al.				
6,422,495	B1	7/2002	De Boef et al.				
6,523,768	B2	2/2003	Recker et al.				
6,640,853	B1	11/2003	Sun				
6,698,477	B1	3/2004	Bennington				
6,742,970	B2 *	6/2004	Oles et al.	407/113		
6,837,453	B2	1/2005	Sturm				
6,848,640	B2	2/2005	Pallmann				
6,880,774	B2	4/2005	Bardos et al.				
6,983,904	B2	1/2006	Plahuta et al.				
7,055,770	B2	6/2006	Bardos				
7,100,855	B2	9/2006	Diemunsch				
7,213,779	B2	5/2007	Roozeboom et al.				
D555,684	S	11/2007	Waggle et al.				
7,293,729	B2	11/2007	Ragnarsson				
7,390,151	B2	6/2008	Martin et al.				
7,572,087	B2 *	8/2009	Nagaya et al.	407/113		
7,874,770	B2 *	1/2011	Omori et al.	407/119		
D635,598	S *	4/2011	Widin et al.	D15/139		
7,954,523	B2 *	6/2011	Liu	144/218		
2002/0031410	A1 *	3/2002	Isaksson	407/114		
2003/0061926	A1	4/2003	Sotsky				
2004/0028486	A1 *	2/2004	Englund	407/90		
2005/0129476	A1 *	6/2005	Kammermeier et al.	409/132		
2006/0102762	A1	5/2006	Garcia et al.				
2009/0008491	A1	1/2009	Sharp				

* cited by examiner

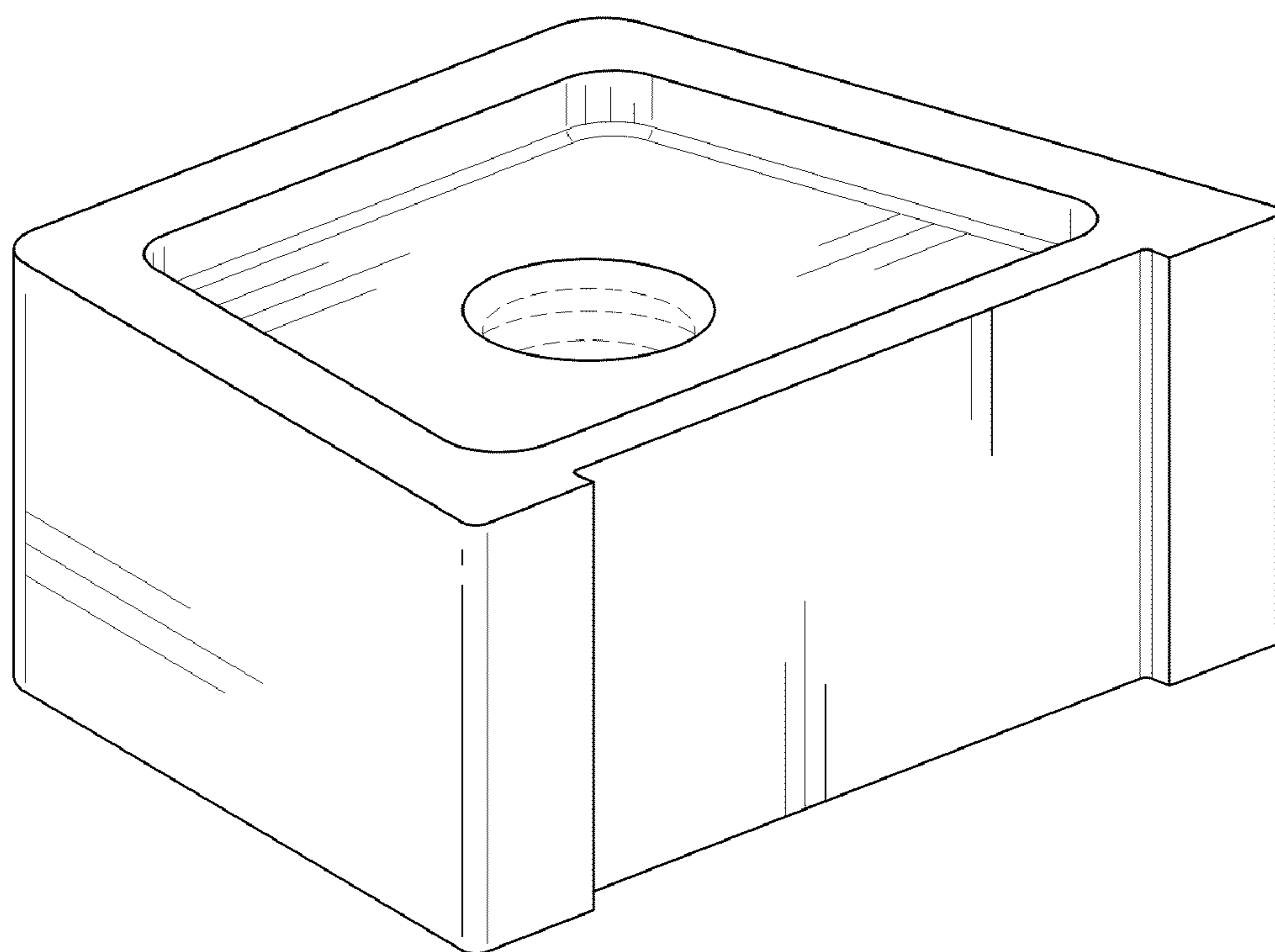


FIG. 1

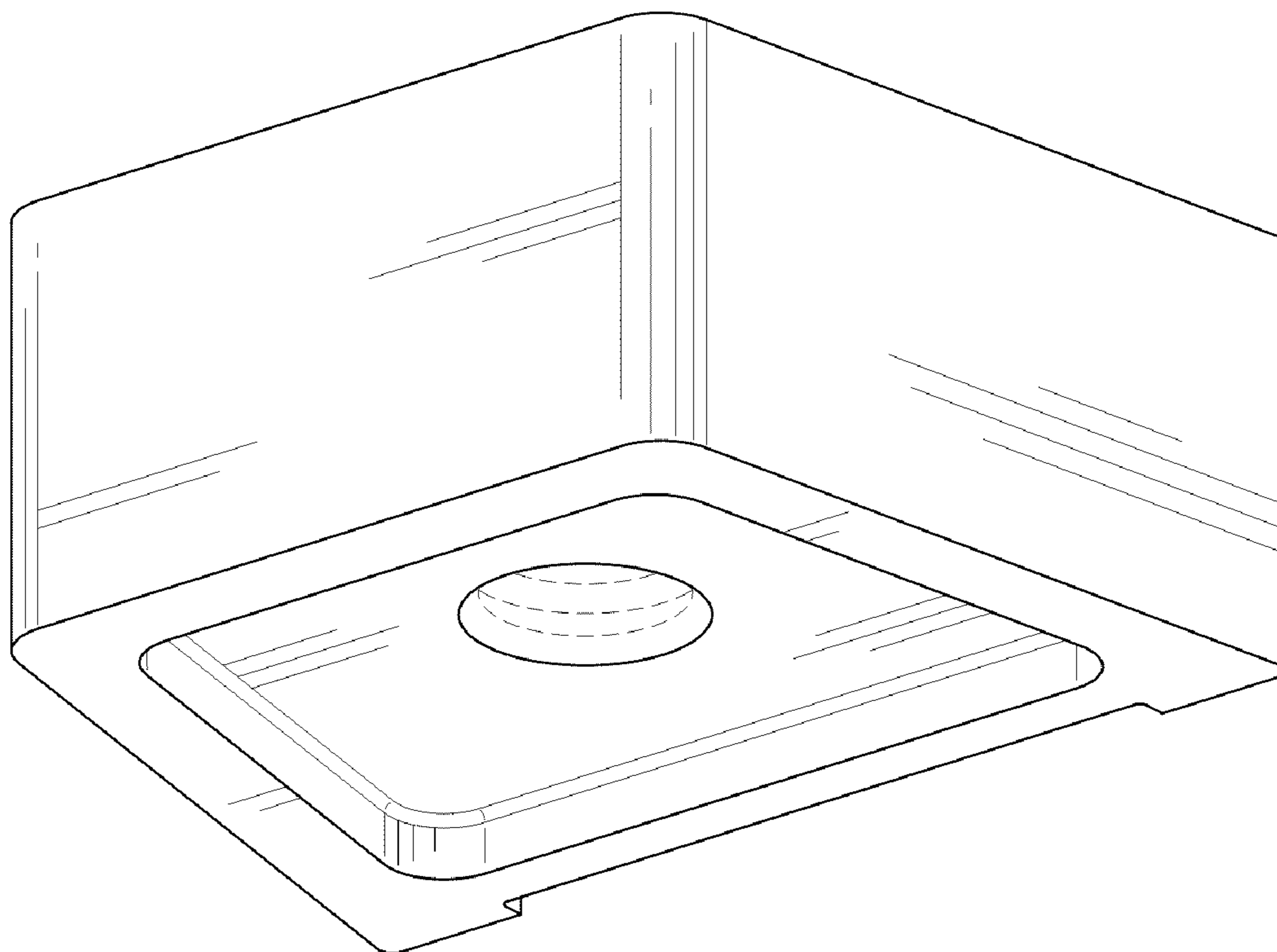


FIG. 2

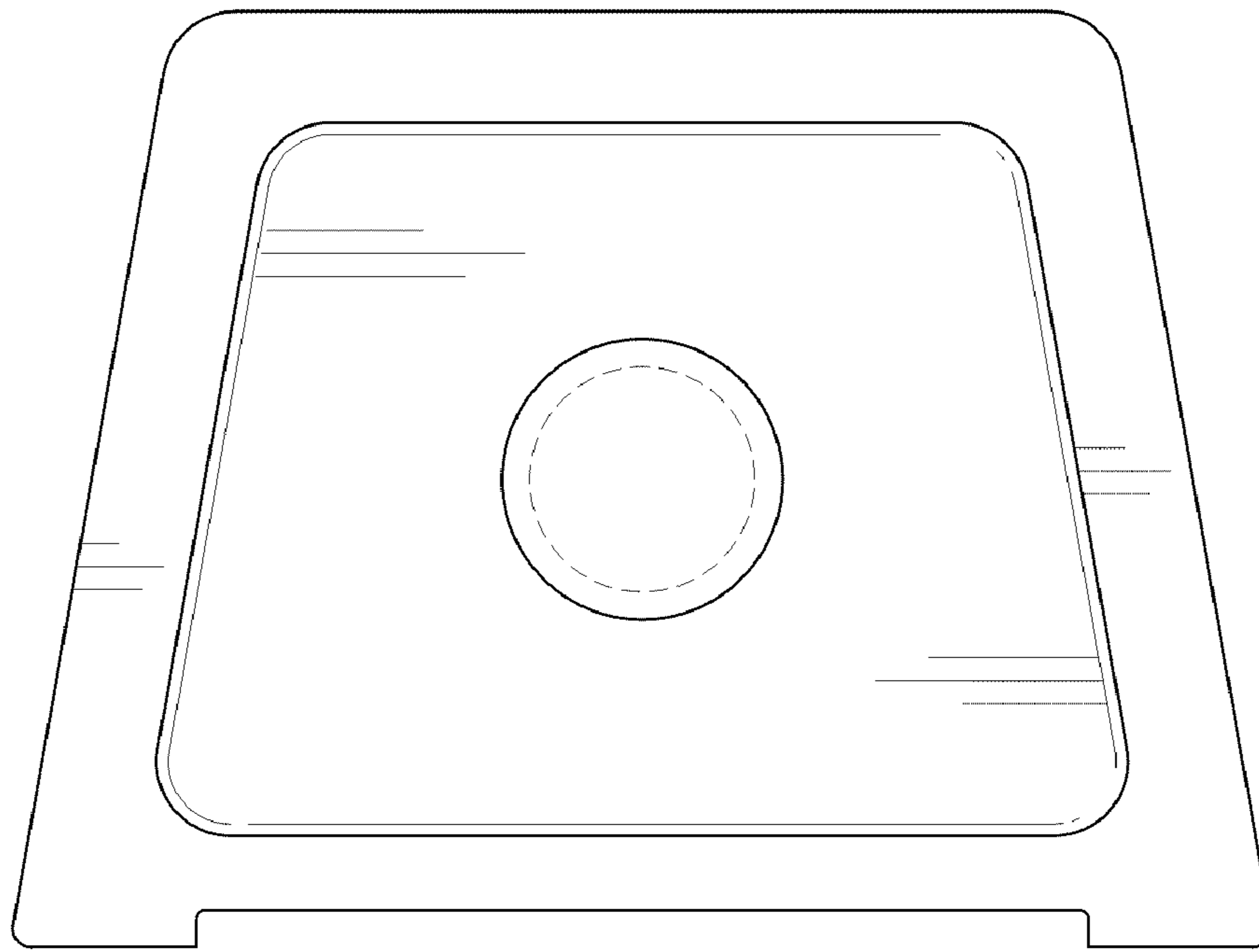


FIG. 3

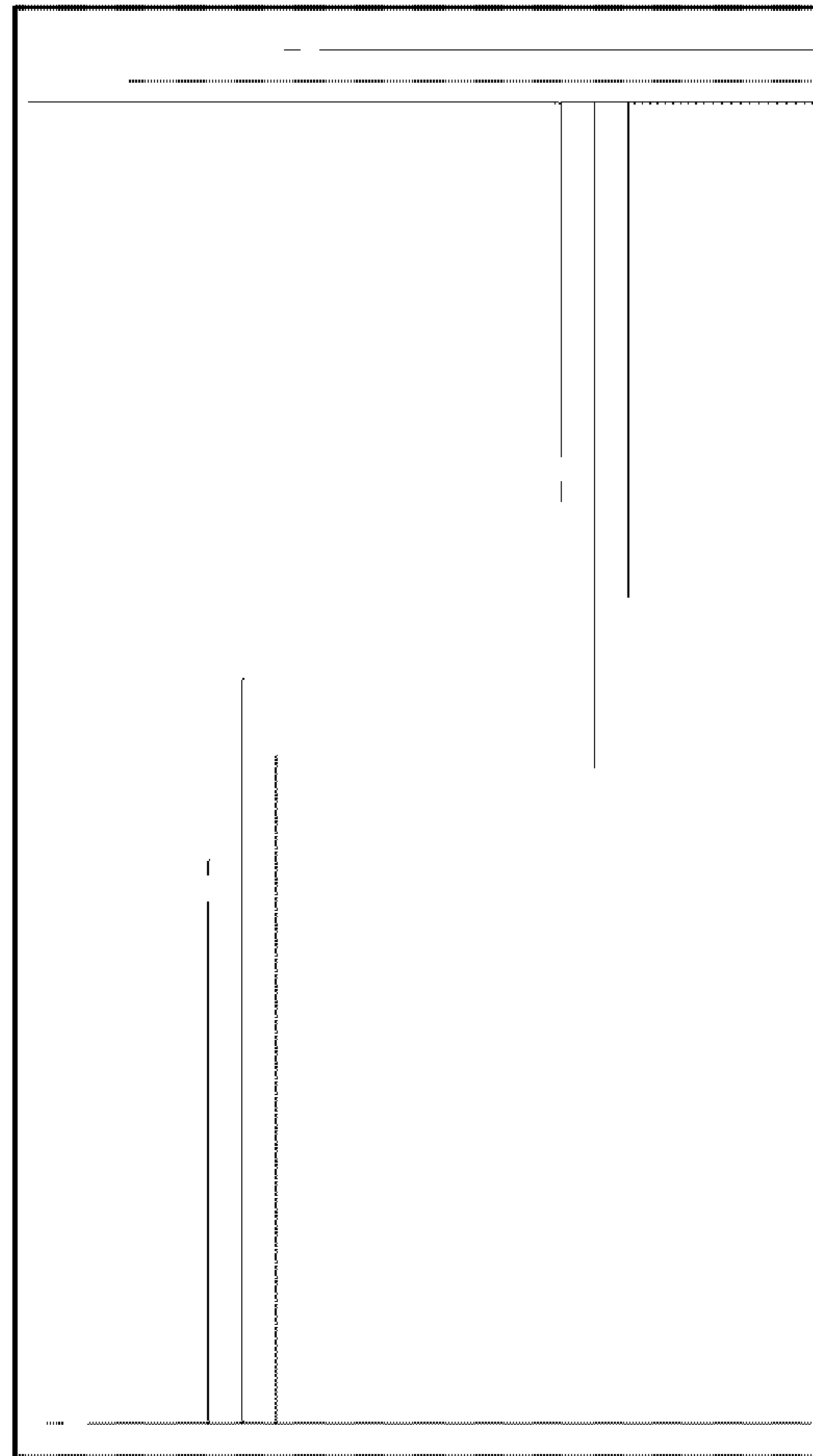


FIG. 4

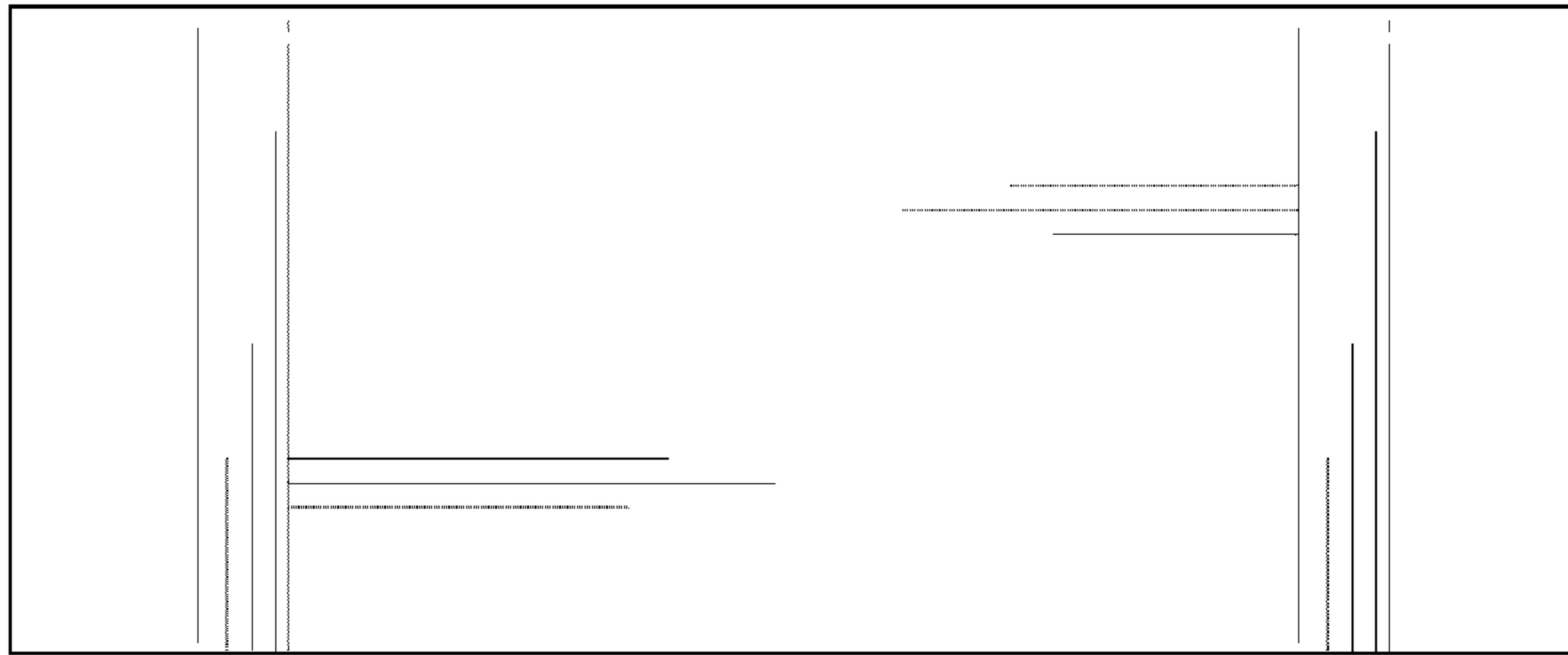


FIG. 5

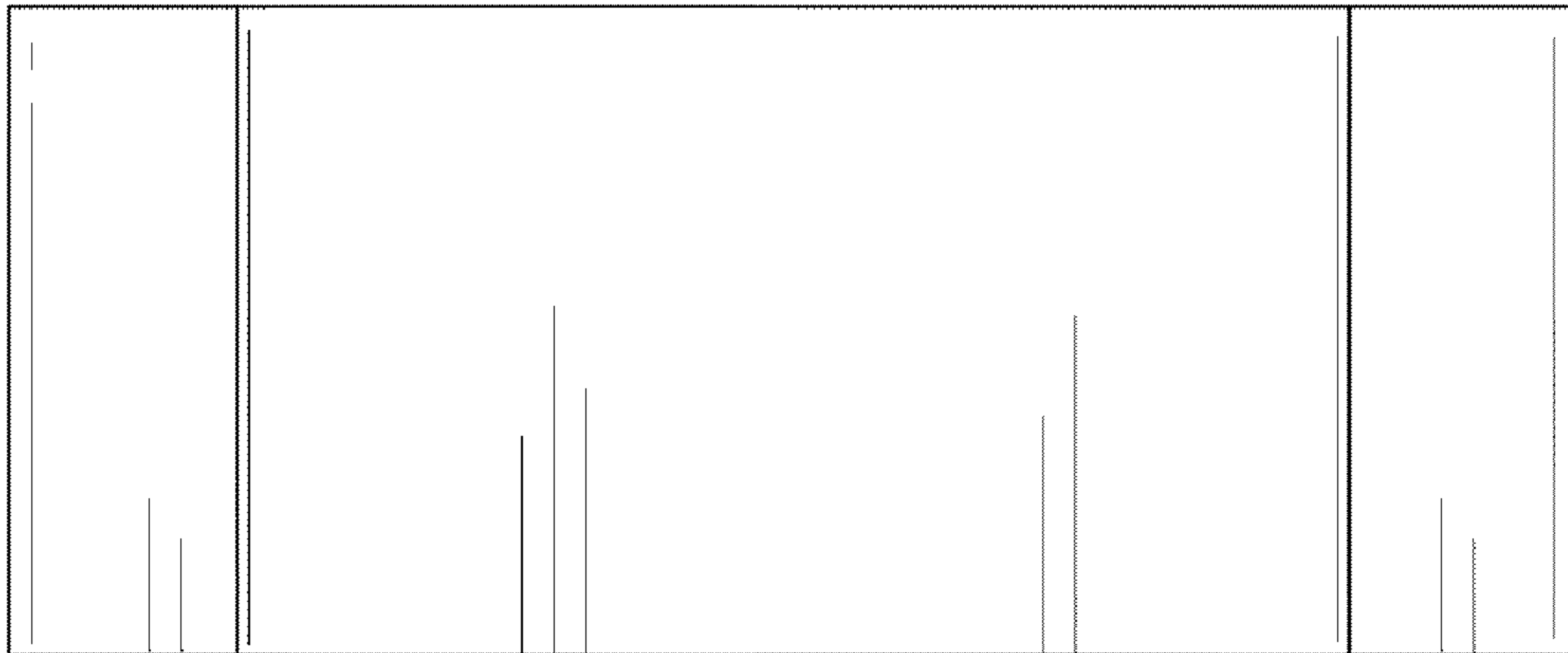


FIG. 6