

US00D655730S

(12) **United States Design Patent**  
**Block et al.**

(10) **Patent No.:** **US D655,730 S**  
(45) **Date of Patent:** **\*\* Mar. 13, 2012**

(54) **ROLLER PRESS MECHANISM**

(75) Inventors: **Andrew P. Block**, Middleton, WI (US);  
**Daniel J. Lipscomb**, Prairie Du Sac, WI  
(US); **Colin Roberts**, Stevens Point, WI  
(US)

(73) Assignee: **Fiskars Brands, Inc.**, Madison, WI (US)

(\*\*) Term: **14 Years**

(21) Appl. No.: **29/401,061**

(22) Filed: **Sep. 6, 2011**

(51) **LOC (9) Cl.** ..... **15-09**

(52) **U.S. Cl.** ..... **D15/128; D15/123**

(58) **Field of Classification Search** ..... D15/123,  
D15/128; D18/34.1-34.9, 50, 99; D19/74;  
100/176; 101/120, 127.1, 244, 336; 156/495,  
156/522, 542, 555-556, 579; 242/156, 419.9;  
452/142

See application file for complete search history.

(56) **References Cited**

**U.S. PATENT DOCUMENTS**

D373,385 S	9/1996	Birkholz	
5,601,006 A	2/1997	Quinn et al.	
D393,657 S	4/1998	Bennett	
6,626,965 B2	9/2003	Workman et al.	
D508,701 S *	8/2005	Corcoran et al.	D15/123
D540,374 S *	4/2007	Corcoran	D18/14
D542,310 S *	5/2007	Corcoran et al.	D15/123
D587,287 S *	2/2009	Corcoran et al.	D15/123
D607,910 S *	1/2010	Corcoran et al.	D15/128

D632,317 S *	2/2011	Corcoran et al.	D15/125
2005/0253324 A1 *	11/2005	Corcoran et al.	271/15
2006/0037503 A1 *	2/2006	Winston	101/328
2011/0252939 A1 *	10/2011	Nabity et al.	83/859

**OTHER PUBLICATIONS**

Fiskars Craft Products 2007 catalog, pp. 42-47 and 70-83.  
U.S. Appl. No. 29/401,055, filed Sep. 6, 2011, Block et al.

\* cited by examiner

*Primary Examiner* — Patricia Palasik

(74) *Attorney, Agent, or Firm* — Foley & Lardner LLP

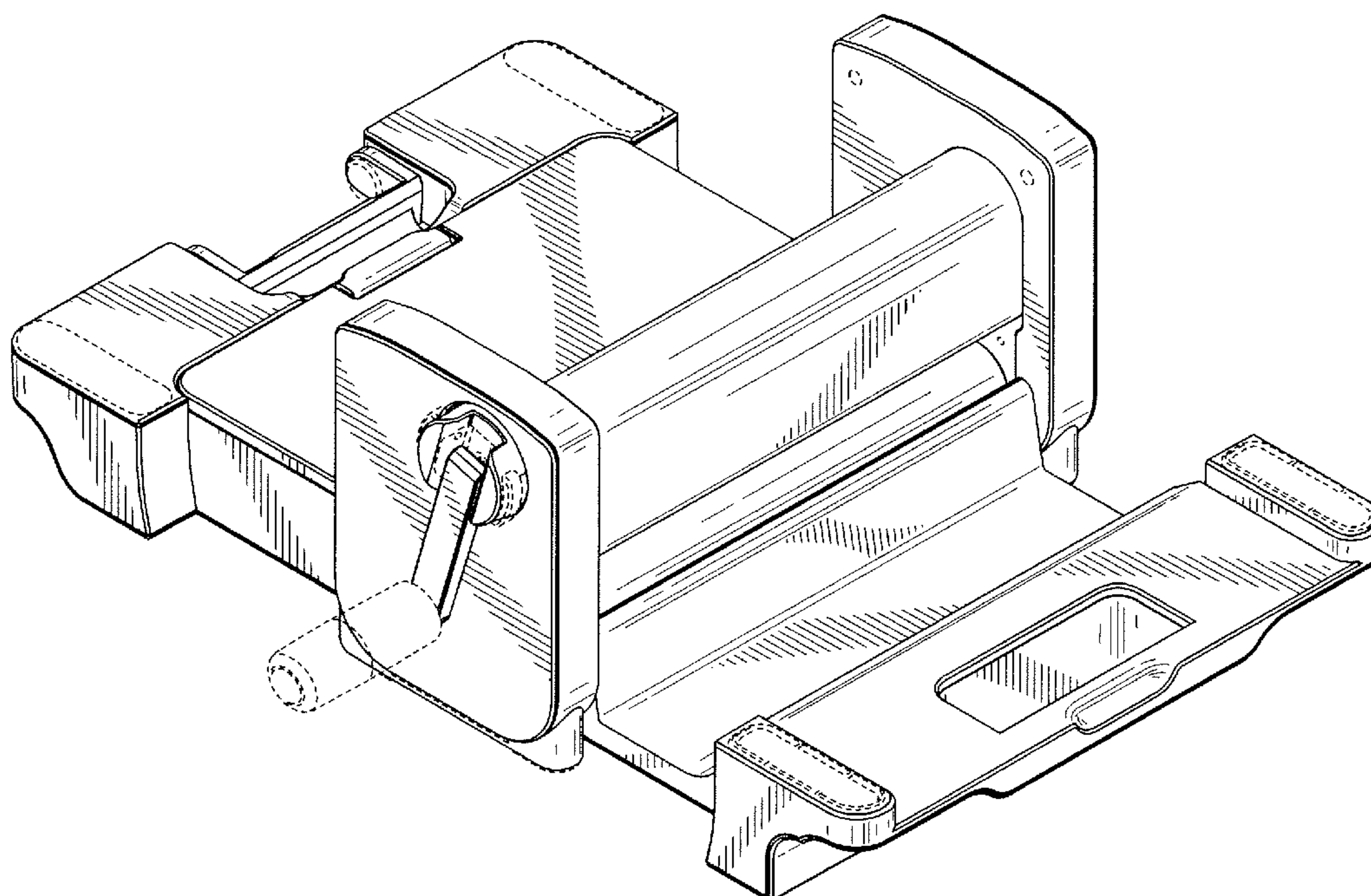
(57) **CLAIM**

We claim the ornamental design for a roller press mechanism,  
as shown and described.

**DESCRIPTION**

FIG. 1 is a perspective view of our roller press mechanism;  
FIG. 2 is a front elevational view of the claimed design of FIG.  
1.  
FIG. 3 is a rear elevational view of the claimed design of FIG.  
1.  
FIG. 4 is a left side elevational view of the claimed design of  
FIG. 1.  
FIG. 5 is a right side elevational view of the claimed design of  
FIG. 1.  
FIG. 6 is a top plan view of the claimed design of FIG. 1; and,  
FIG. 7 is a bottom plan view of the claimed design of FIG. 1.  
The broken lines in the drawings are for illustrative purposes  
only and form no part of the claimed design.

**1 Claim, 7 Drawing Sheets**



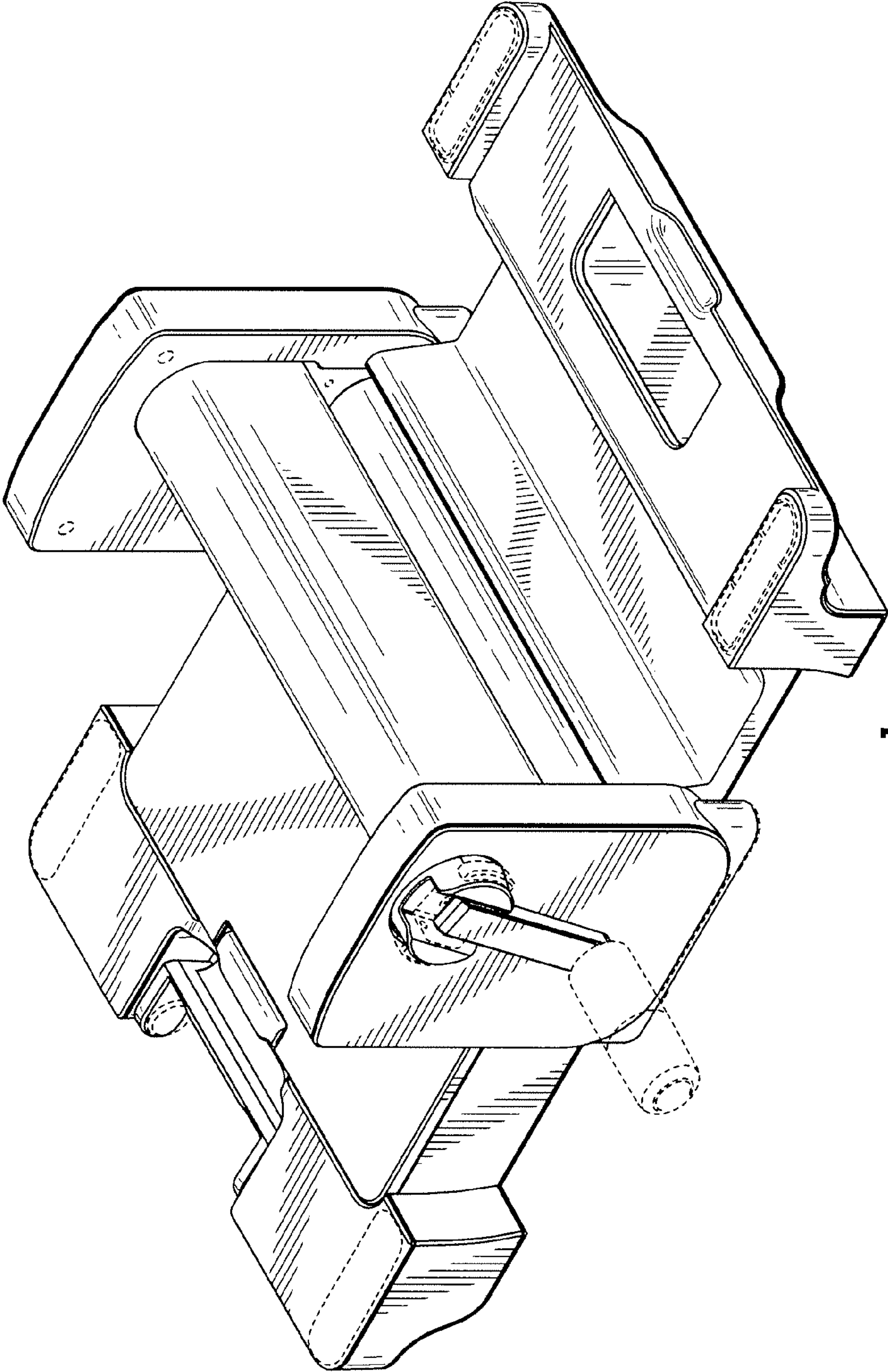


FIG. 1

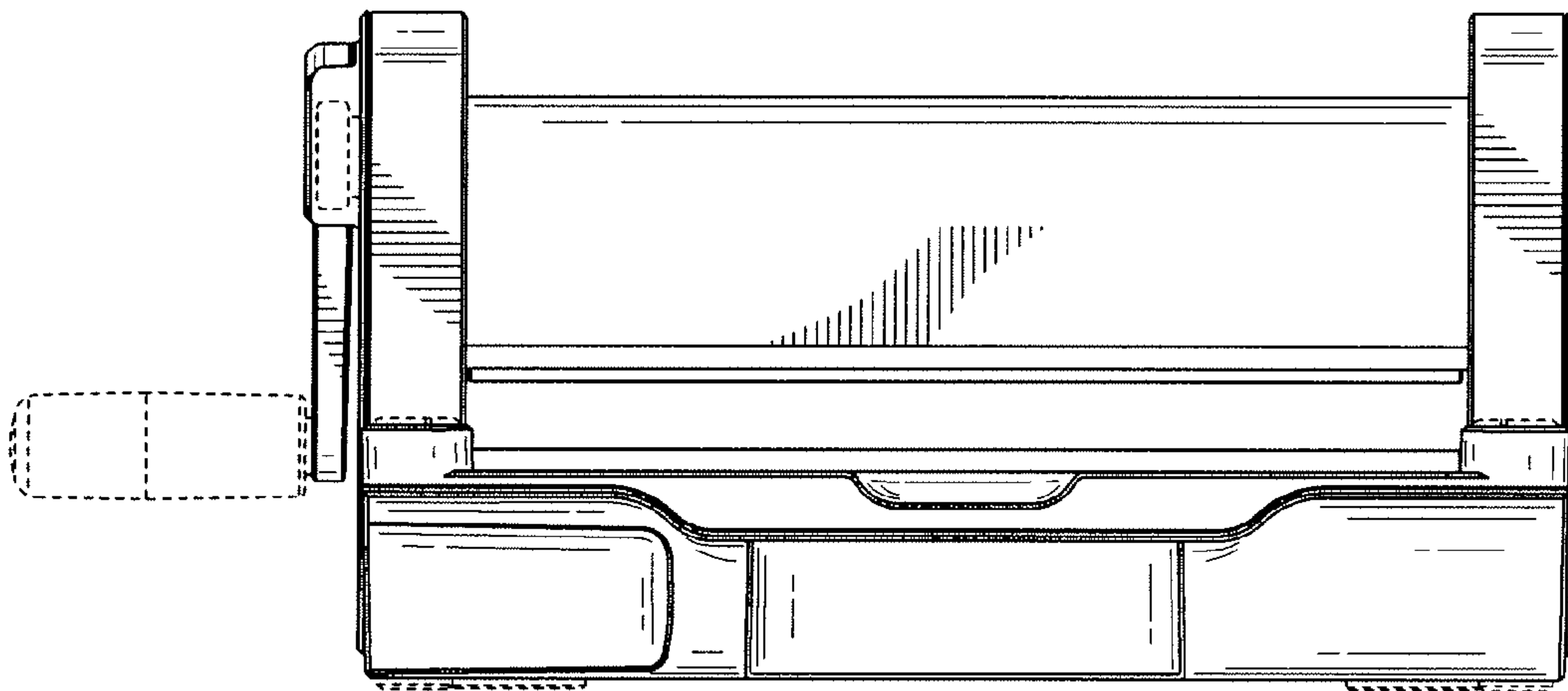


FIG. 2

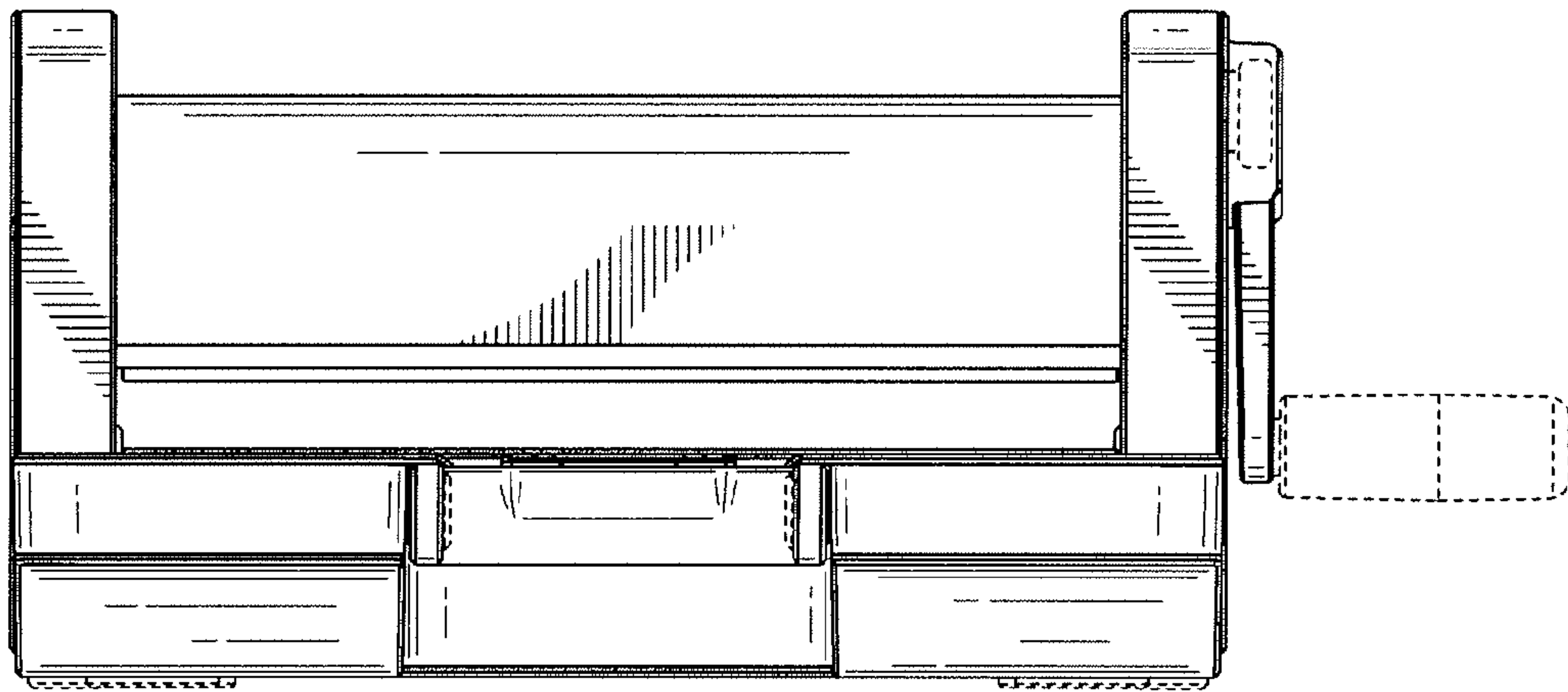


FIG. 3



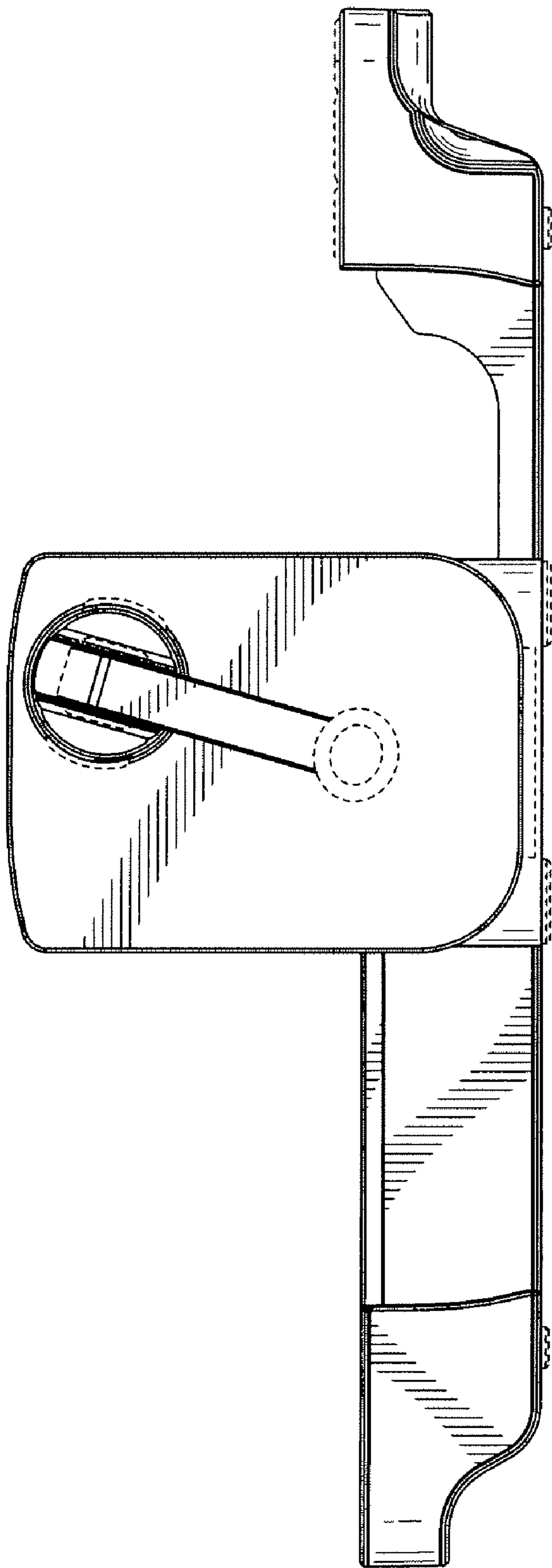


FIG. 4

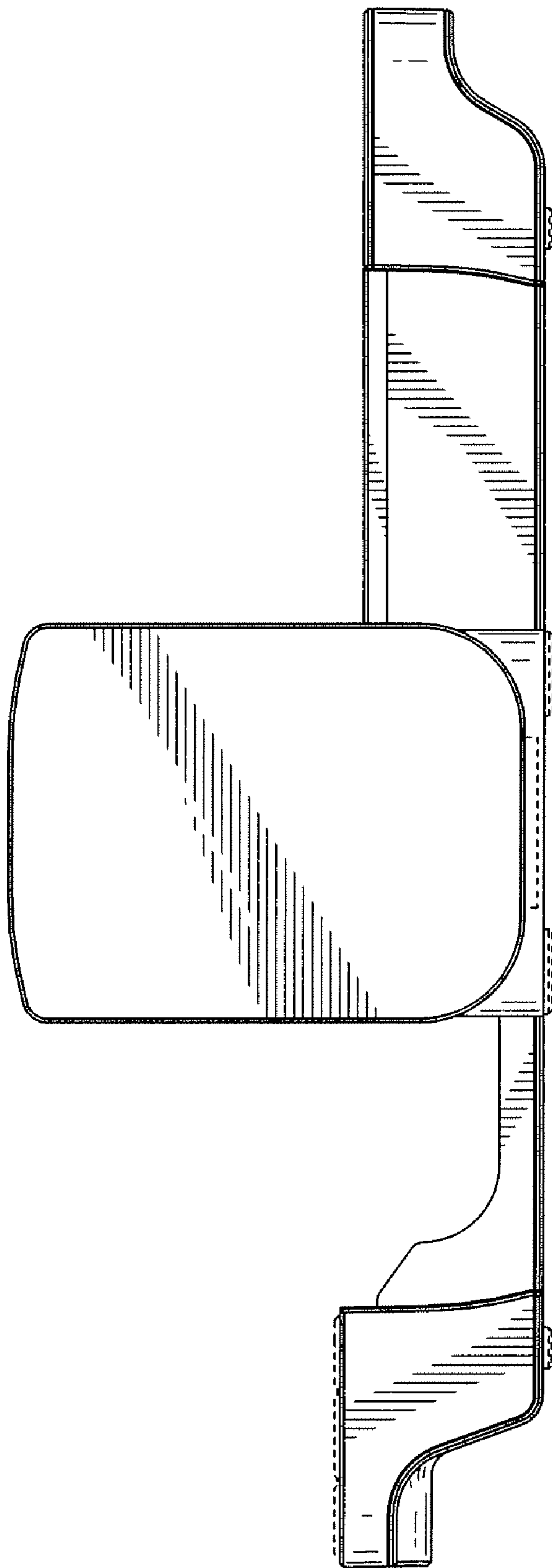


FIG. 5

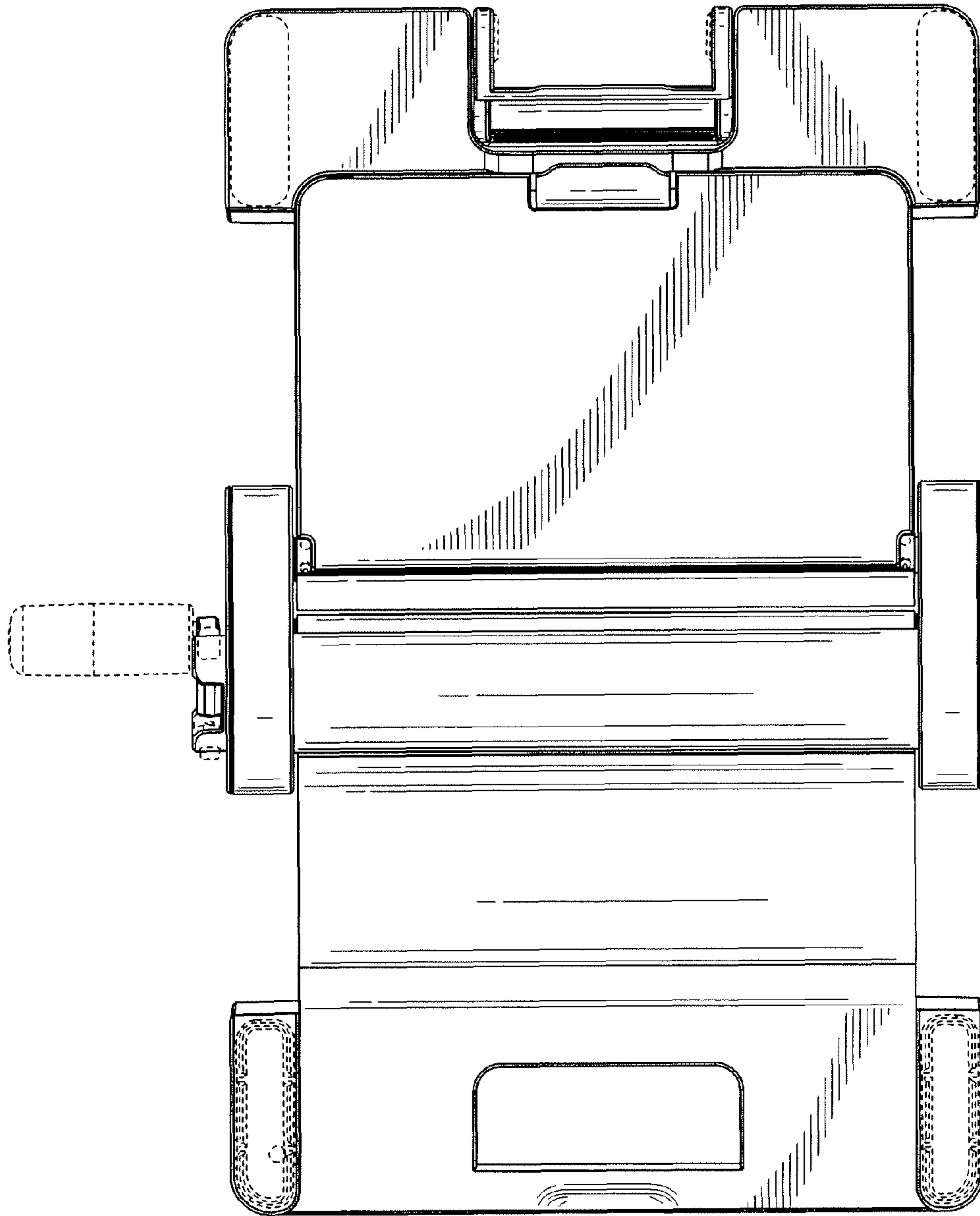


FIG. 6

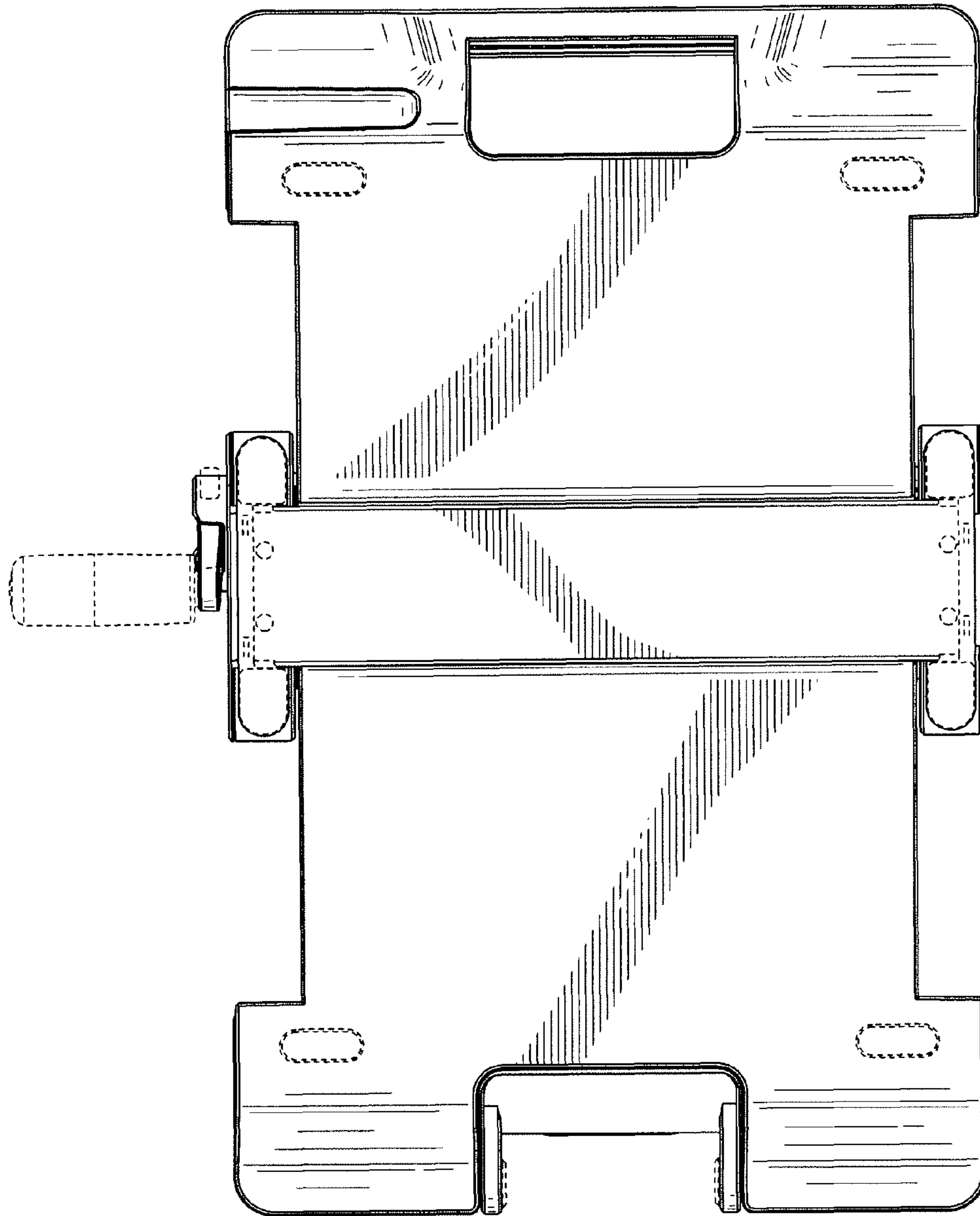


FIG. 7