



US00D655727S

(12) **United States Design Patent**
Matsumoto

(10) **Patent No.:** **US D655,727 S**
(45) **Date of Patent:** **** Mar. 13, 2012**

(54) **EMBROIDERY MACHINE**

(75) Inventor: **Nobuaki Matsumoto**, Obu (JP)

(73) Assignee: **Brother Industries, Ltd.**, Nagoya (JP)

(**) Term: **14 Years**

(21) Appl. No.: **29/362,931**

(22) Filed: **Jun. 2, 2010**

(30) **Foreign Application Priority Data**

Dec. 2, 2009 (JP) 2009-28127

(51) **LOC (9) Cl.** **15-06**

(52) **U.S. Cl.** **D15/78**

(58) **Field of Classification Search** D15/66-74;
362/90, 225, 263, 259, 552, 553, 285, 802,
362/809; 112/270, 470.04-470.06

See application file for complete search history.

(56) **References Cited**

U.S. PATENT DOCUMENTS

2,598,452	A *	5/1952	Singer et al.	362/90
4,084,216	A *	4/1978	Shonting	362/90
4,747,024	A *	5/1988	Guthier	362/90
4,821,657	A *	4/1989	Herdeg et al.	112/470.04
6,732,668	B2 *	5/2004	Zesch et al.	112/470.05
2010/0149784	A1 *	6/2010	Risinger et al.	362/90
2010/0208450	A1 *	8/2010	Fujihara et al.	362/90
2010/0242820	A1 *	9/2010	Fujihara et al.	362/90

* cited by examiner

Primary Examiner — Mitchell Siegel

(74) *Attorney, Agent, or Firm* — Oliff & Berridge, PLC

(57) **CLAIM**

The ornamental design for an embroidery machine, as shown and described.

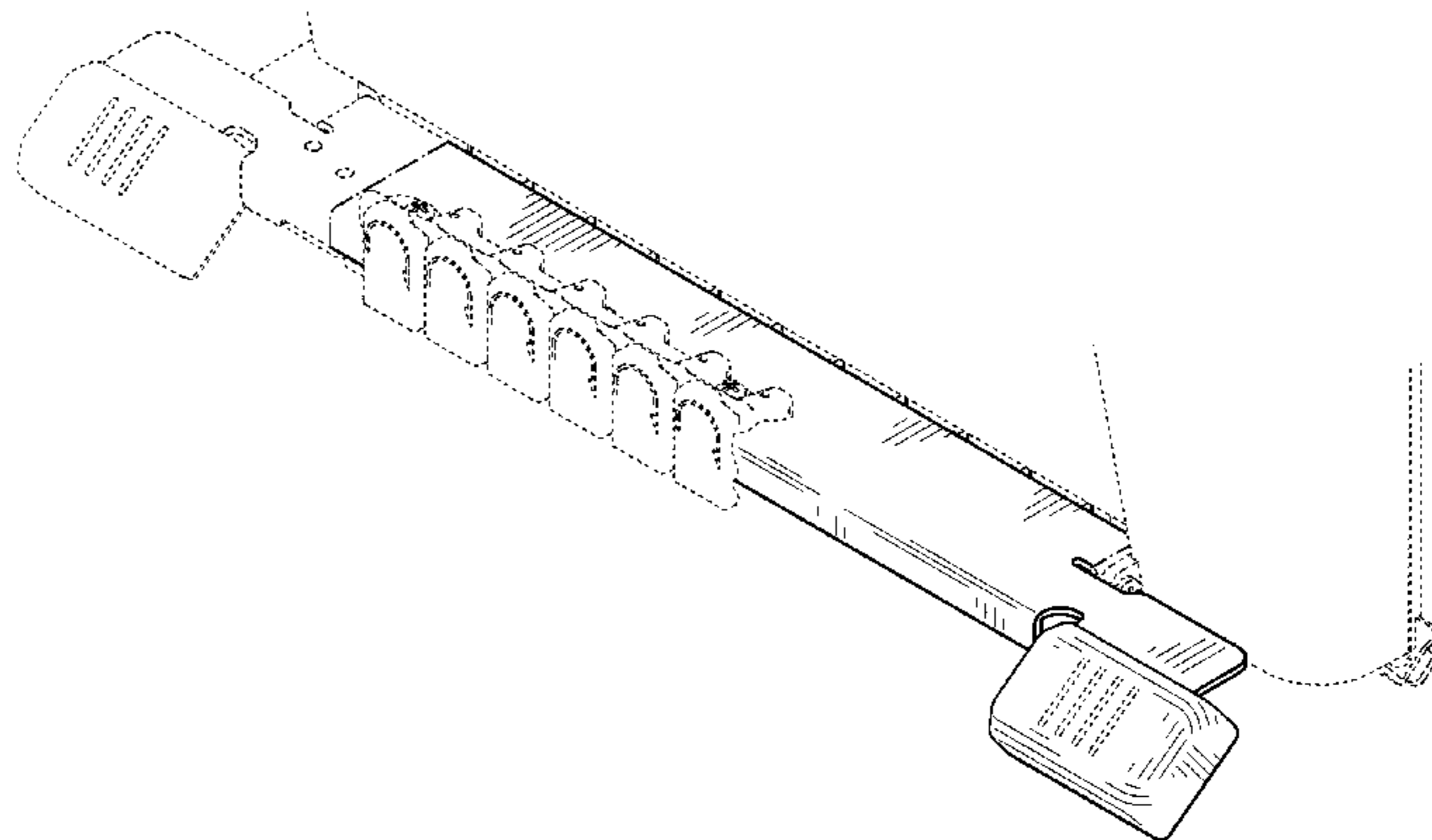
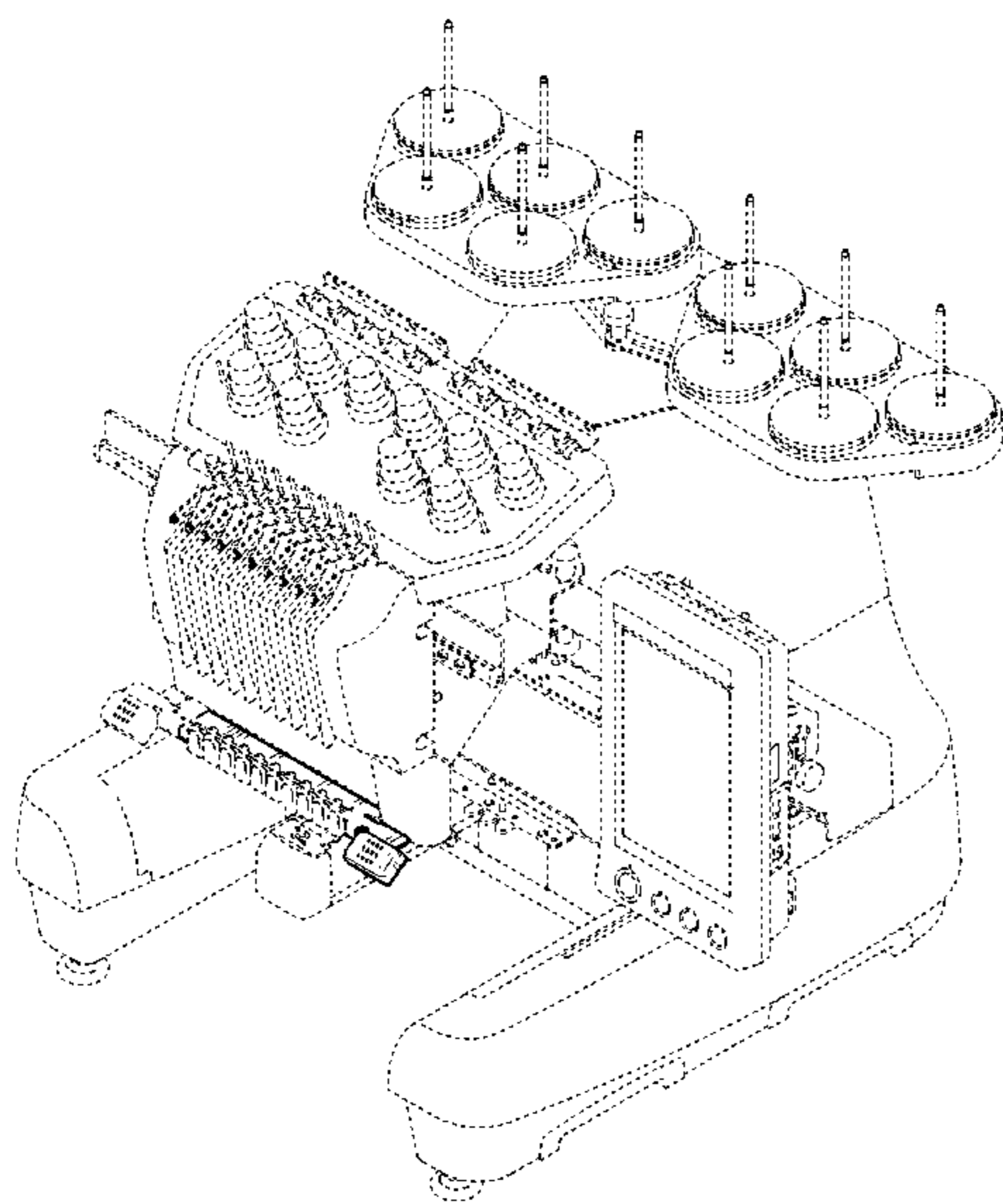
DESCRIPTION

FIG. 1 is a perspective view of an embroidery machine;
 FIG. 2 is a front view thereof;
 FIG. 3 is a top view thereof;
 FIG. 4 is a right-side view thereof;
 FIG. 5 is a bottom view thereof;
 FIG. 6 is an enlarged perspective view thereof with a portion of the unclaimed subject matter removed;
 FIG. 7 is an enlarged front view thereof, the enlargement defined by lines A-A, B-B and C-C in FIGS. 2 and 4;
 FIG. 8 is an enlarged top view thereof, the enlargement defined by lines A-A, B-B and C-C in FIGS. 2 and 4;
 FIG. 9 is an enlarged right-side view thereof, the enlargement defined by lines A-A, B-B and C-C in FIGS. 2 and 4;
 FIG. 10 is an enlarged rear view thereof, the enlargement defined by lines A-A, B-B and C-C in FIGS. 2 and 4;
 FIG. 11 is an enlarged bottom view thereof, the enlargement defined by lines A-A, B-B and C-C in FIGS. 2 and 4;
 FIG. 12 is an enlarged left-side view thereof, the enlargement defined by lines A-A, B-B and C-C in FIGS. 2 and 4; and,
 FIG. 13 is a partial cross sectional view thereof taken along line E-E in FIG. 2.

The broken lines depict environmental subject matter only and form no part of the claimed design.

The dot-chain lines depict boundaries between the claimed subject matter and the unclaimed subject matter and form no part of the claimed design.

1 Claim, 10 Drawing Sheets



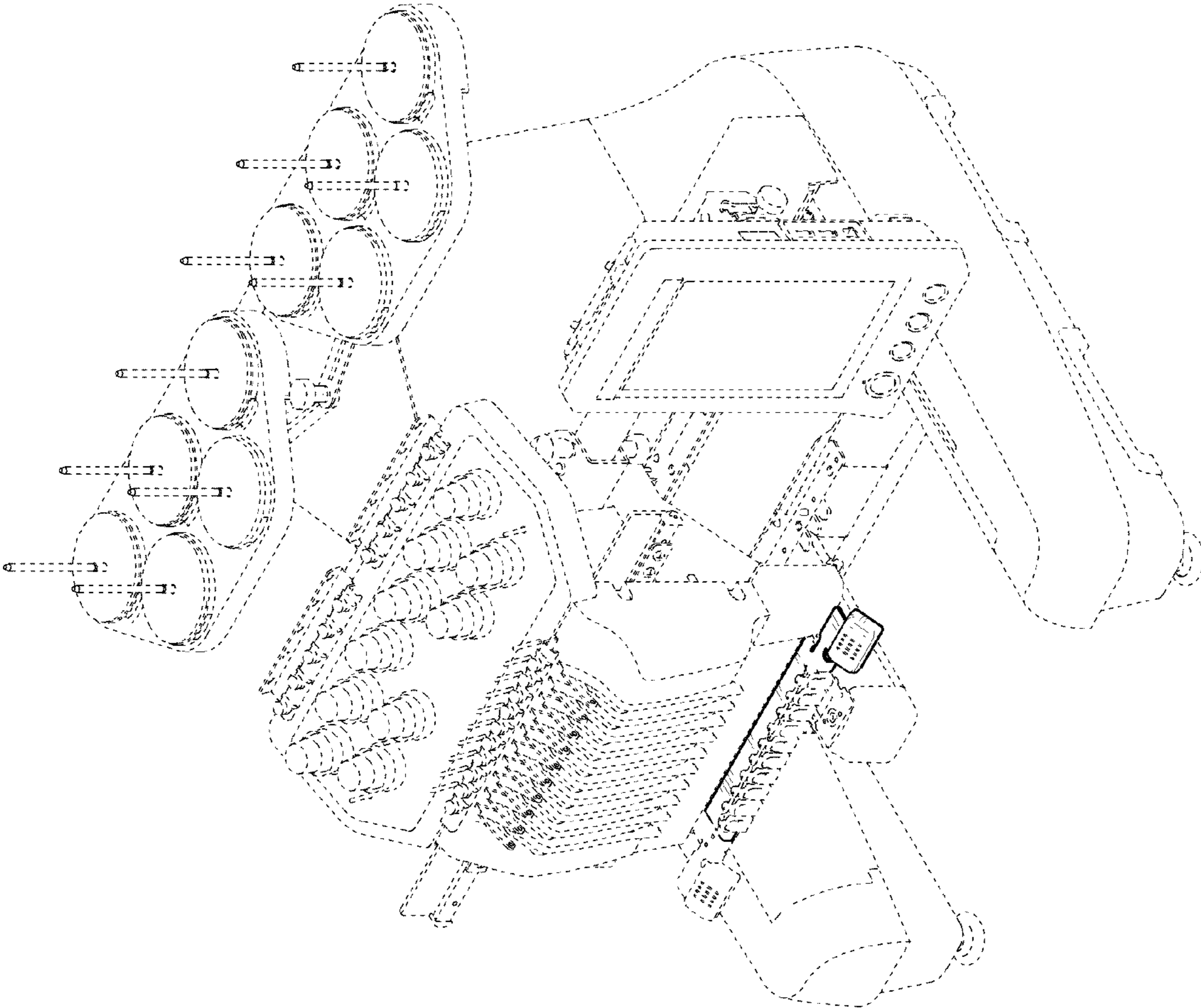


FIG. 1

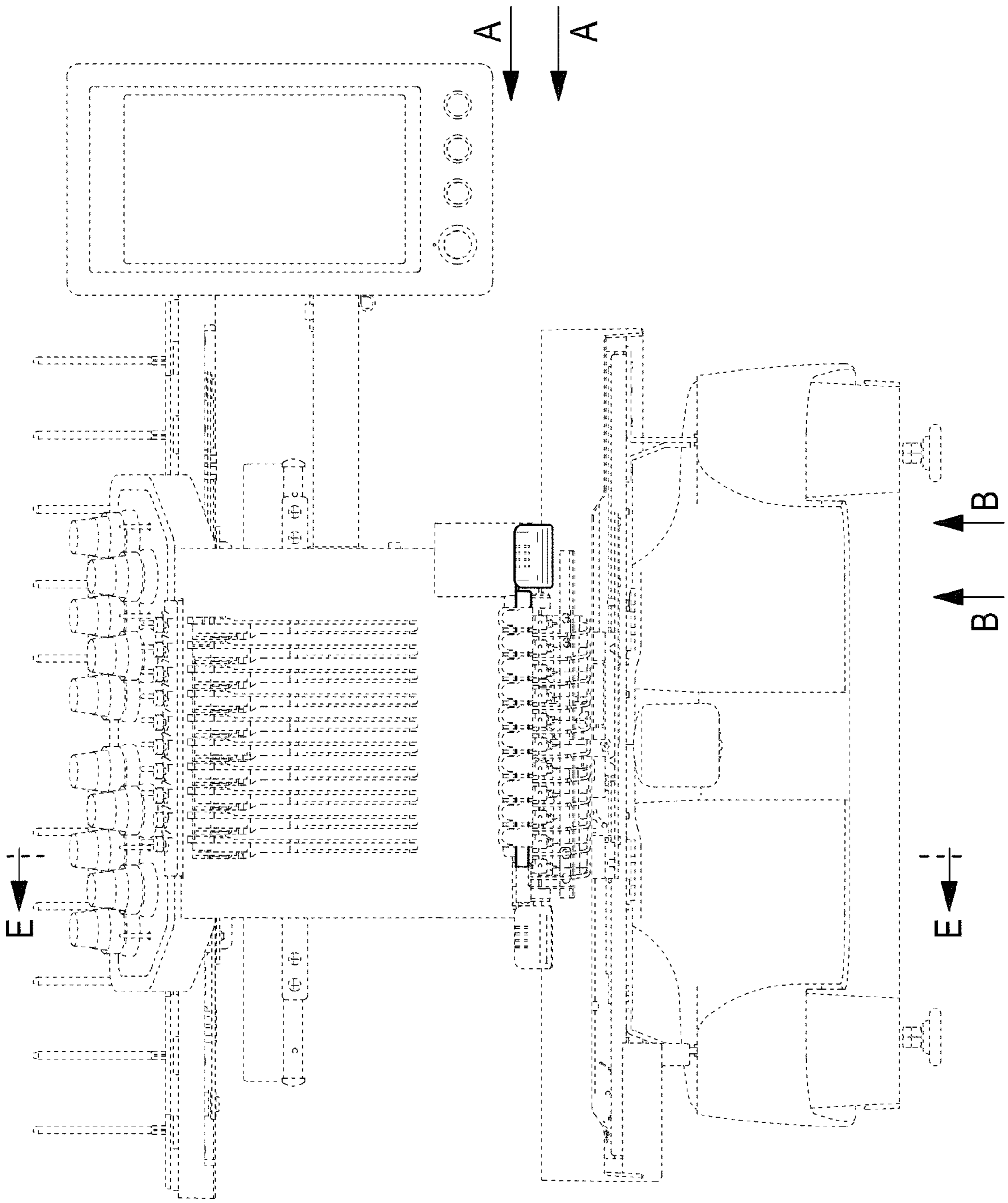


FIG. 2

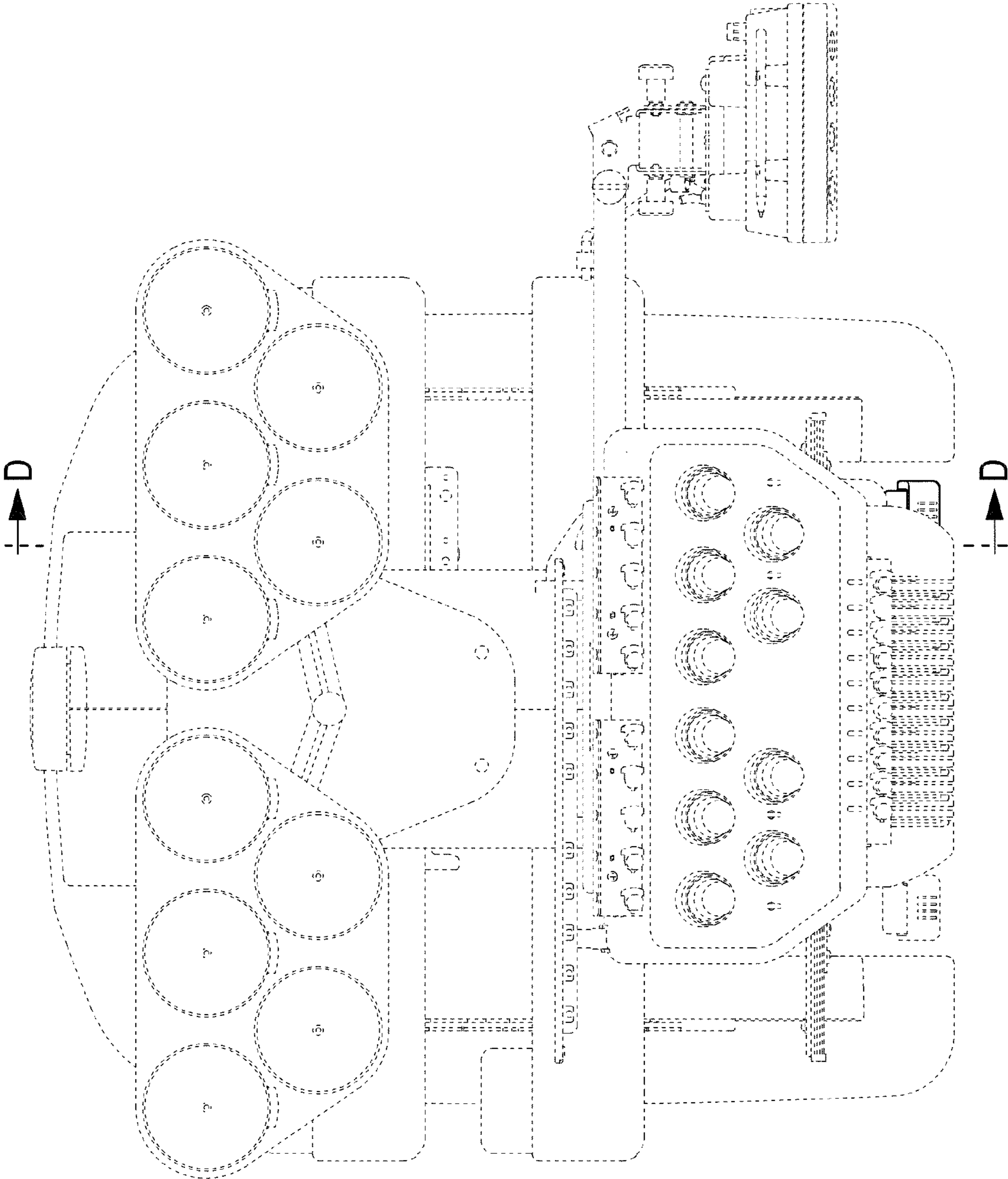


FIG. 3

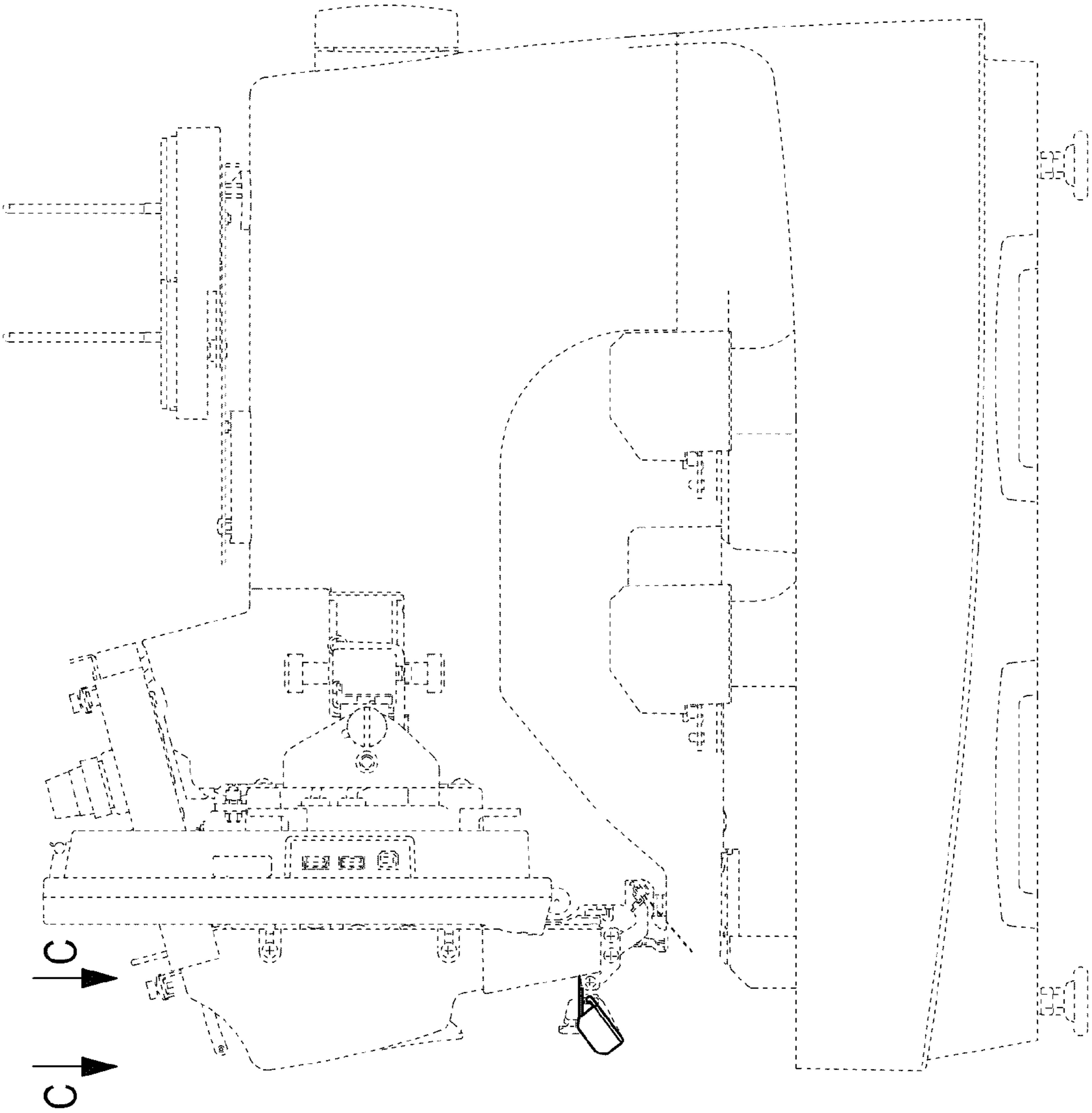


FIG. 4

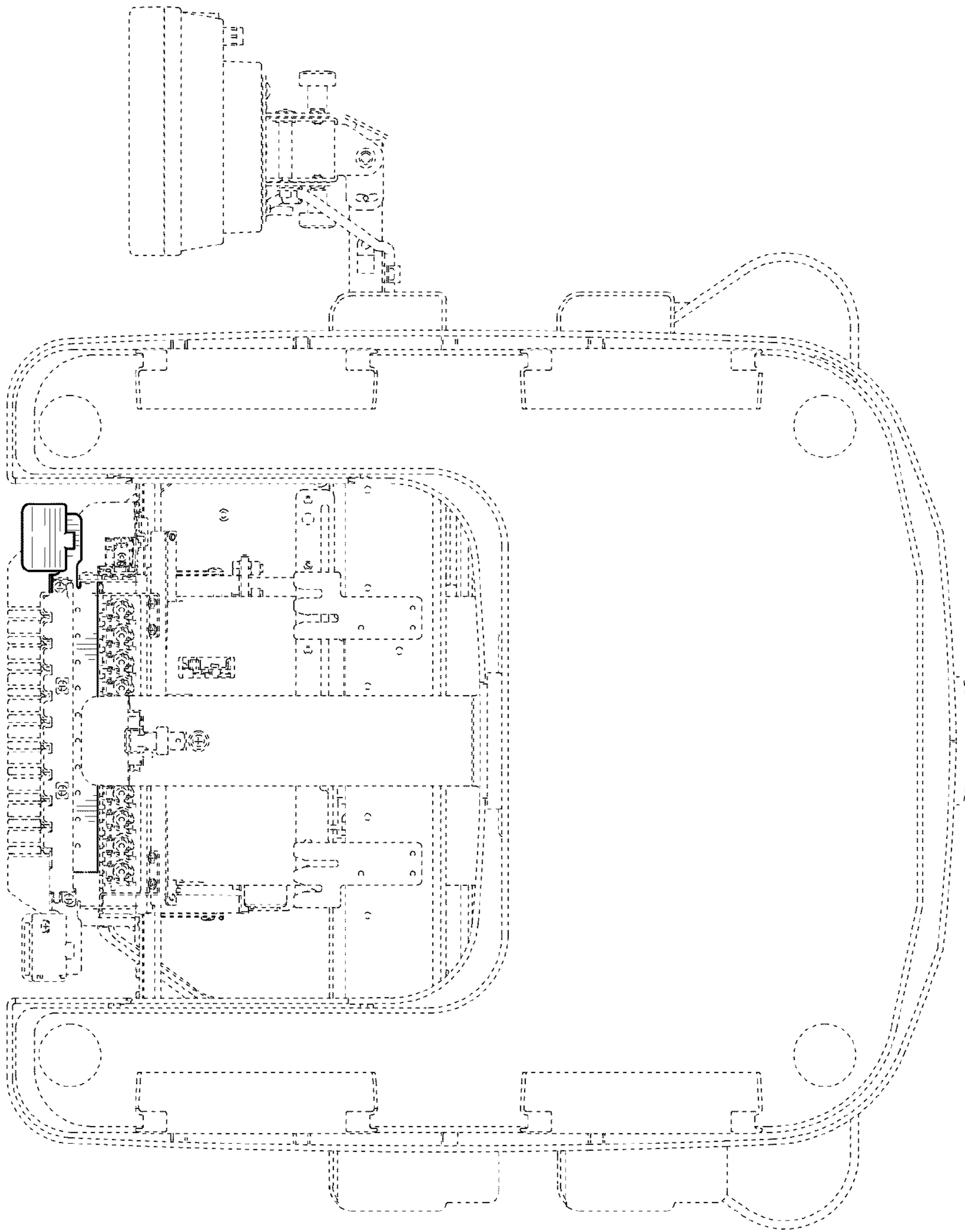


FIG. 5

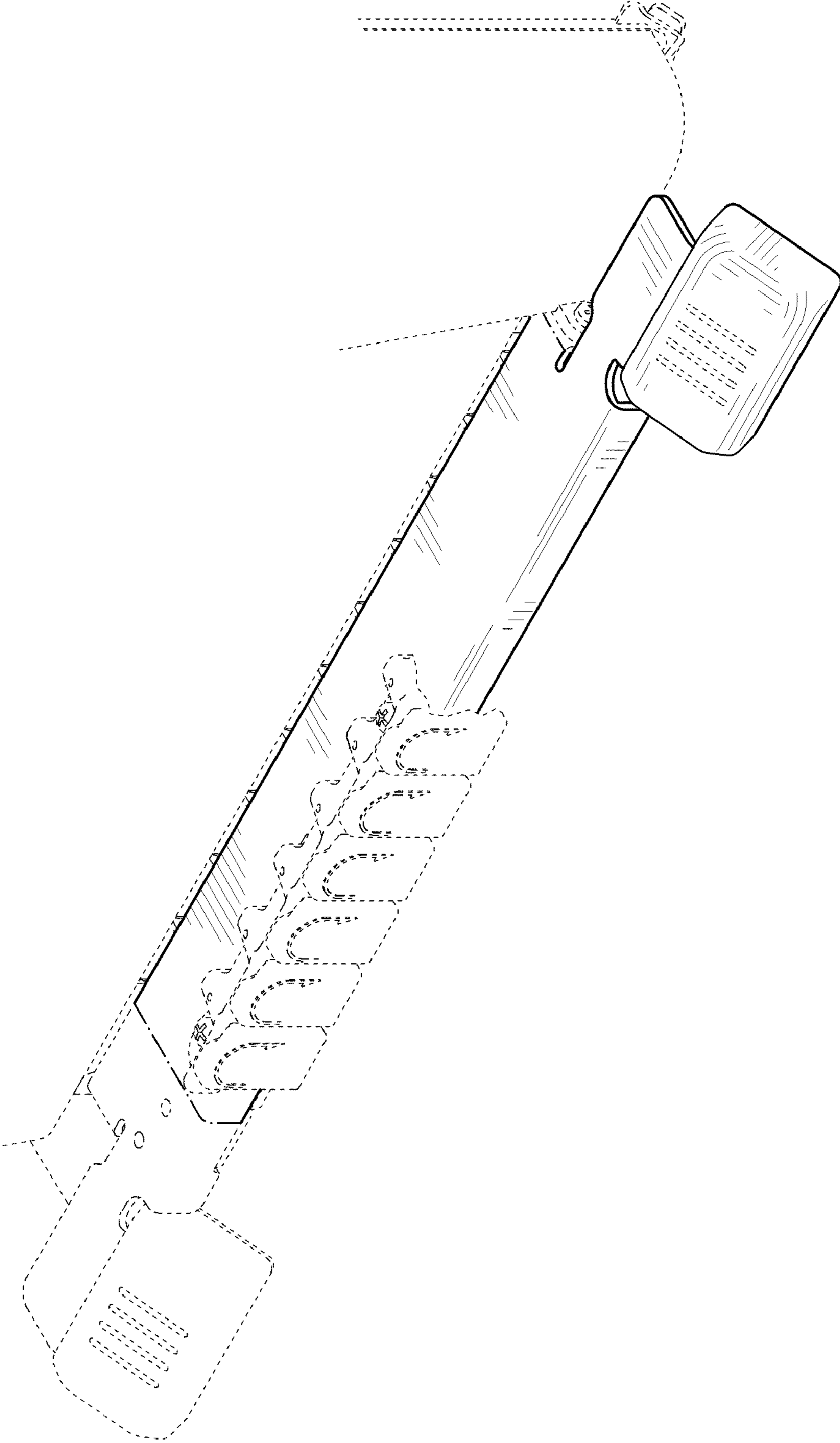


FIG. 6

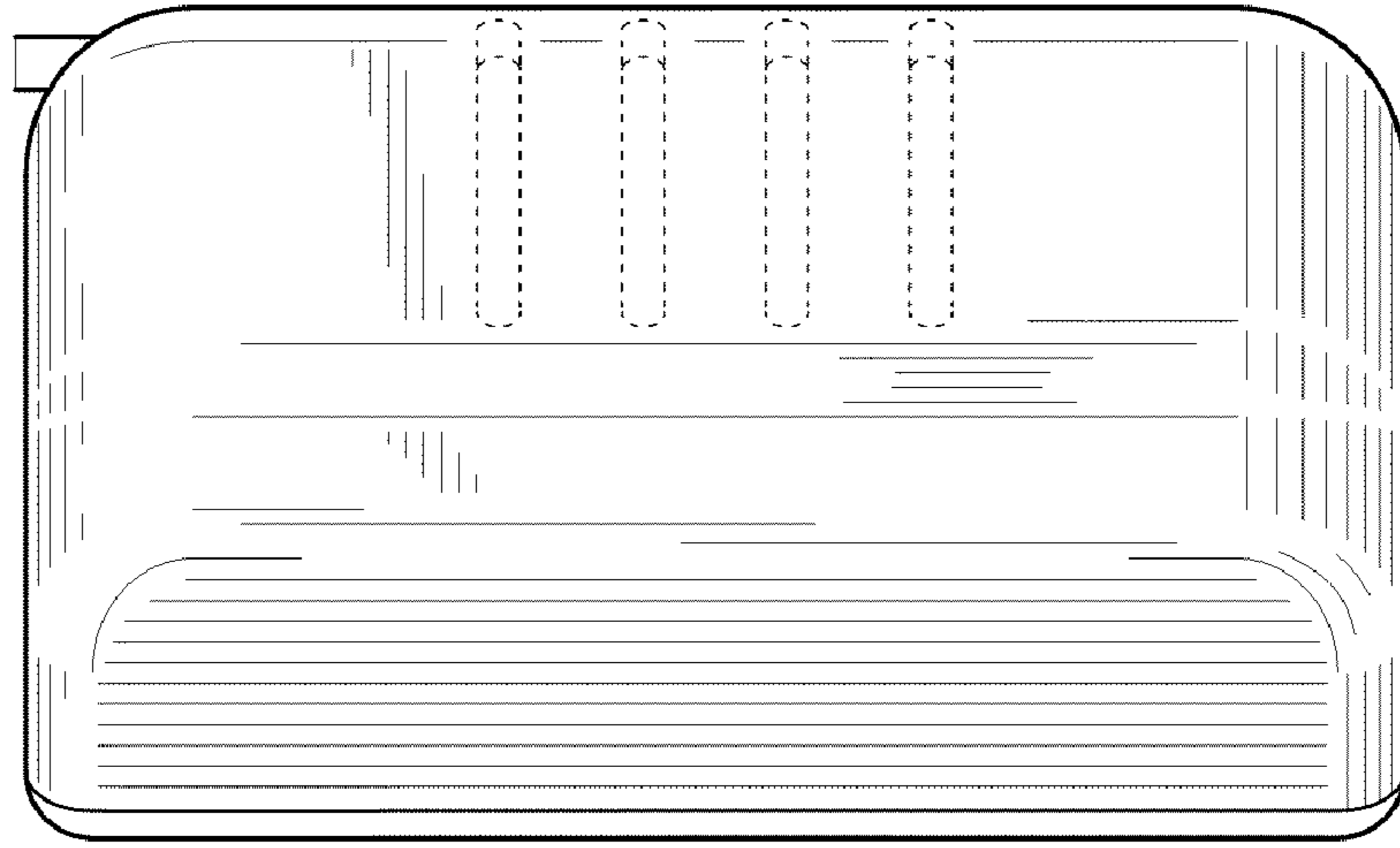


FIG. 7

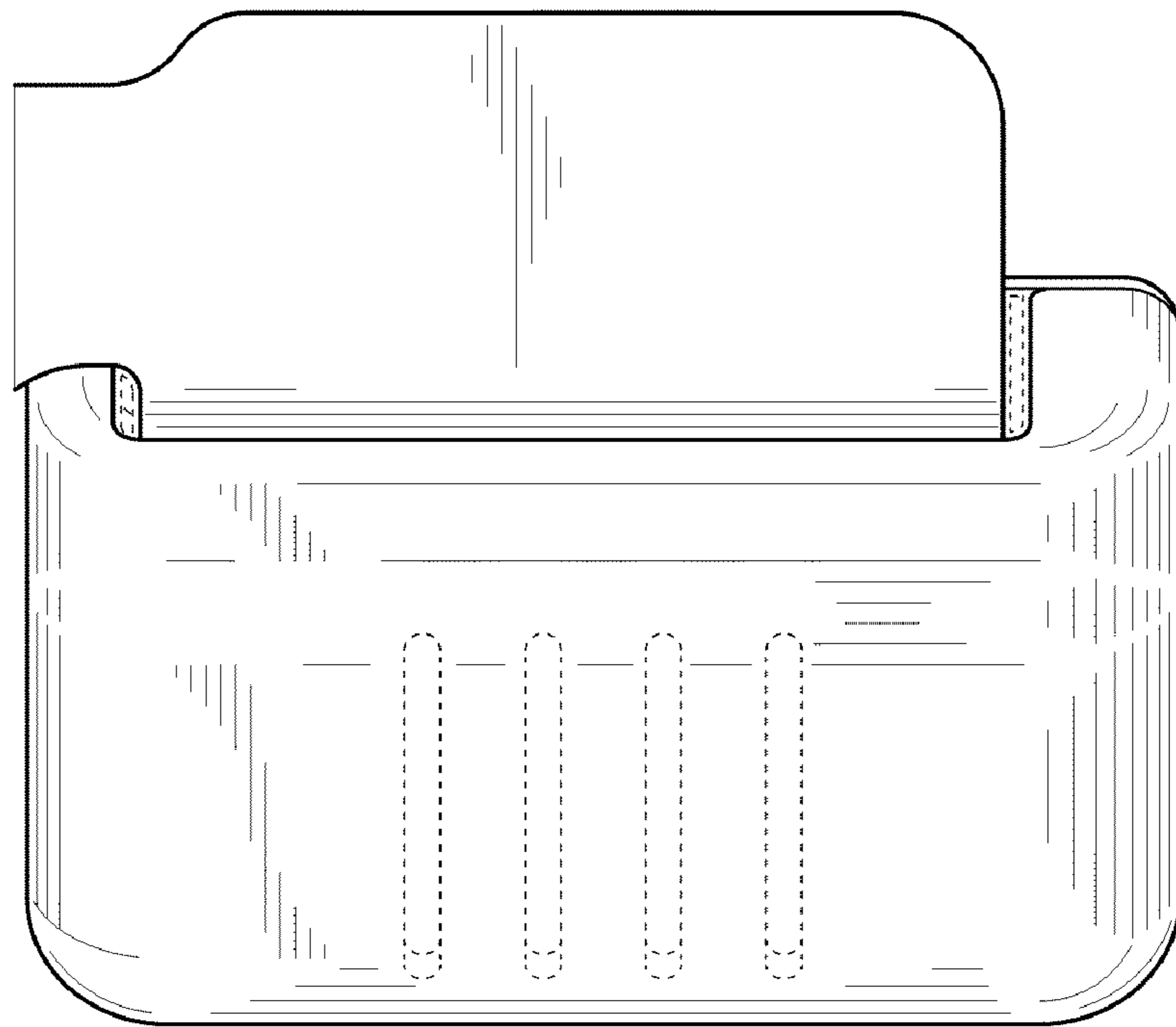


FIG. 8

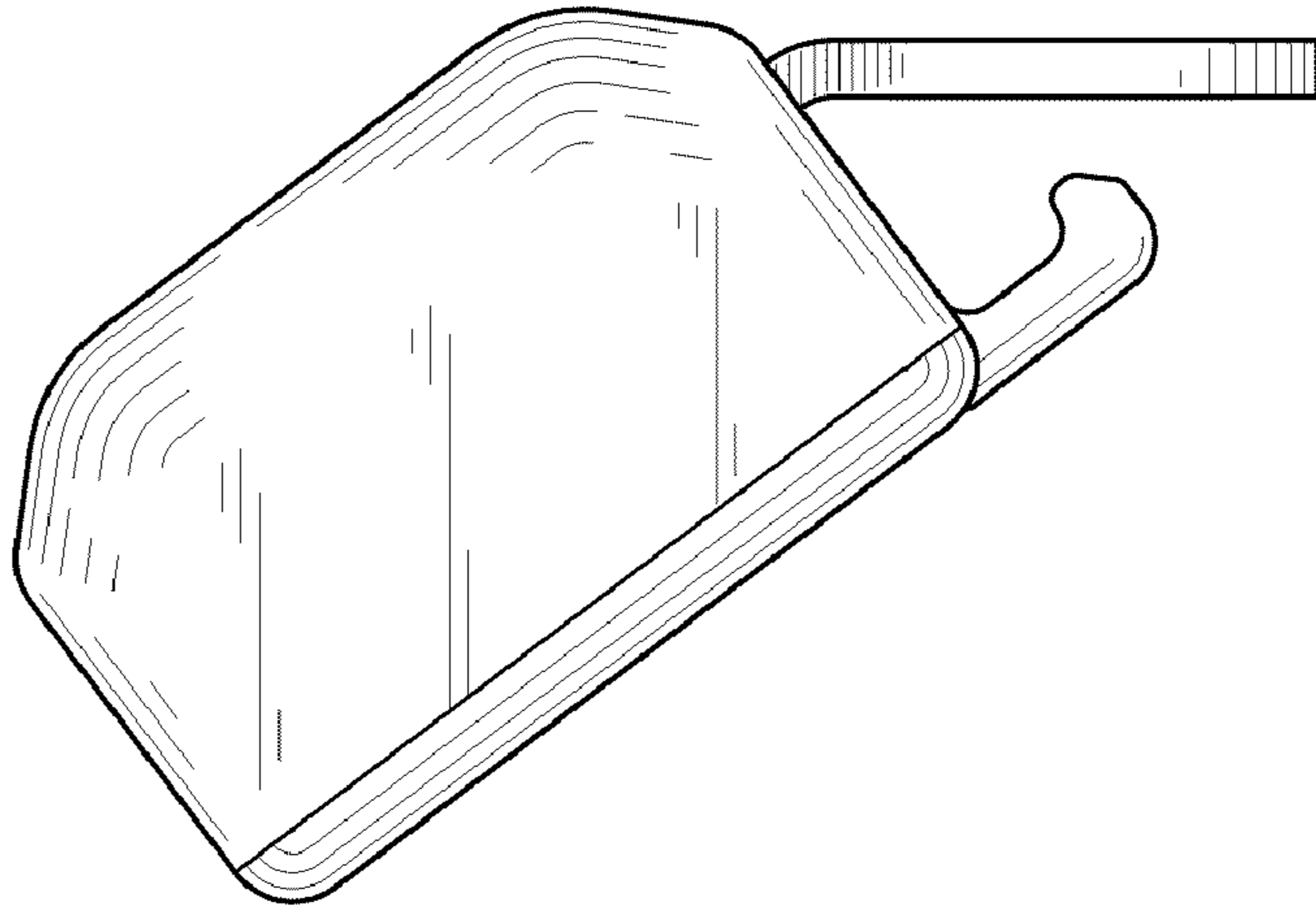


FIG. 9

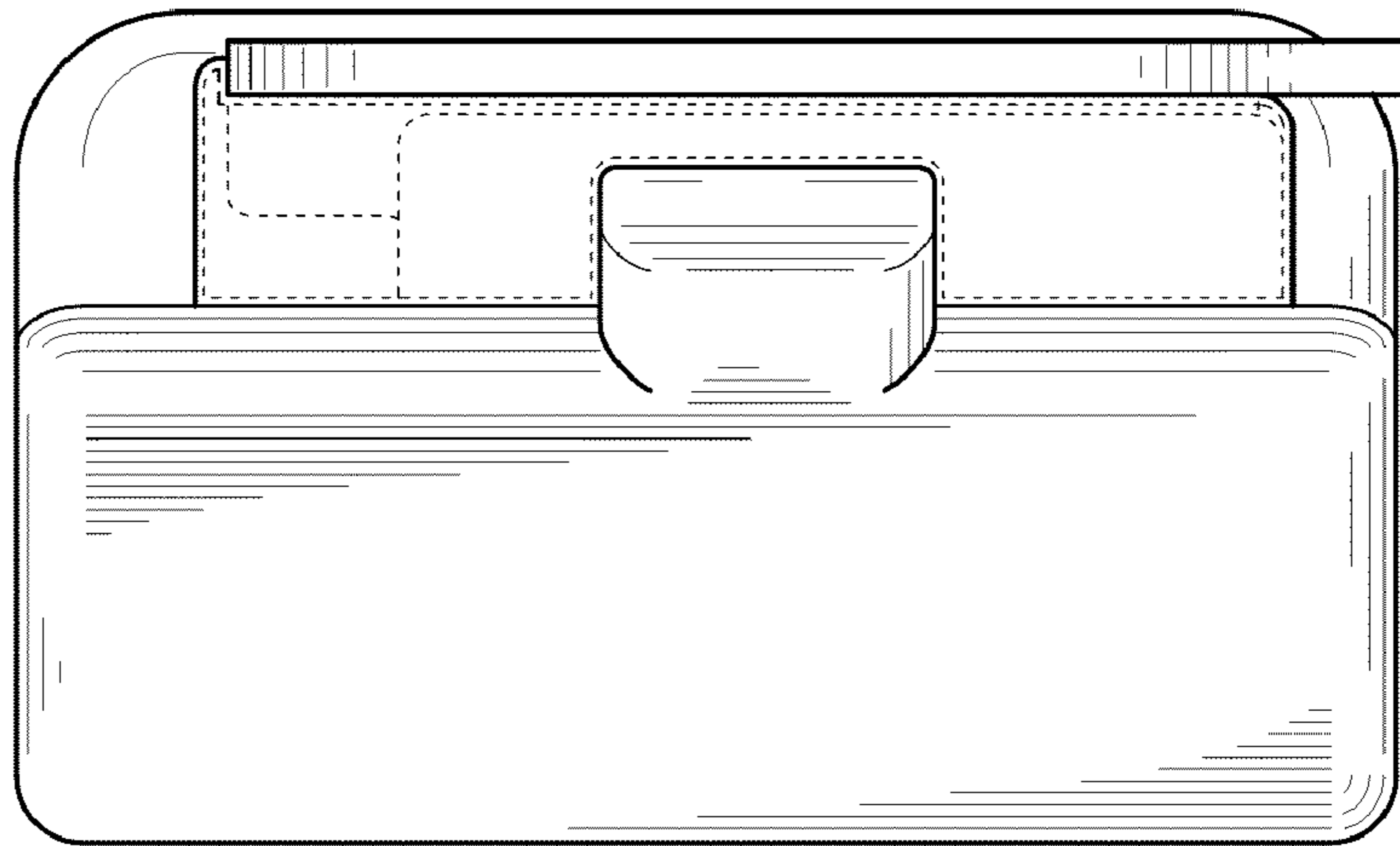


FIG. 10

FIG. 11

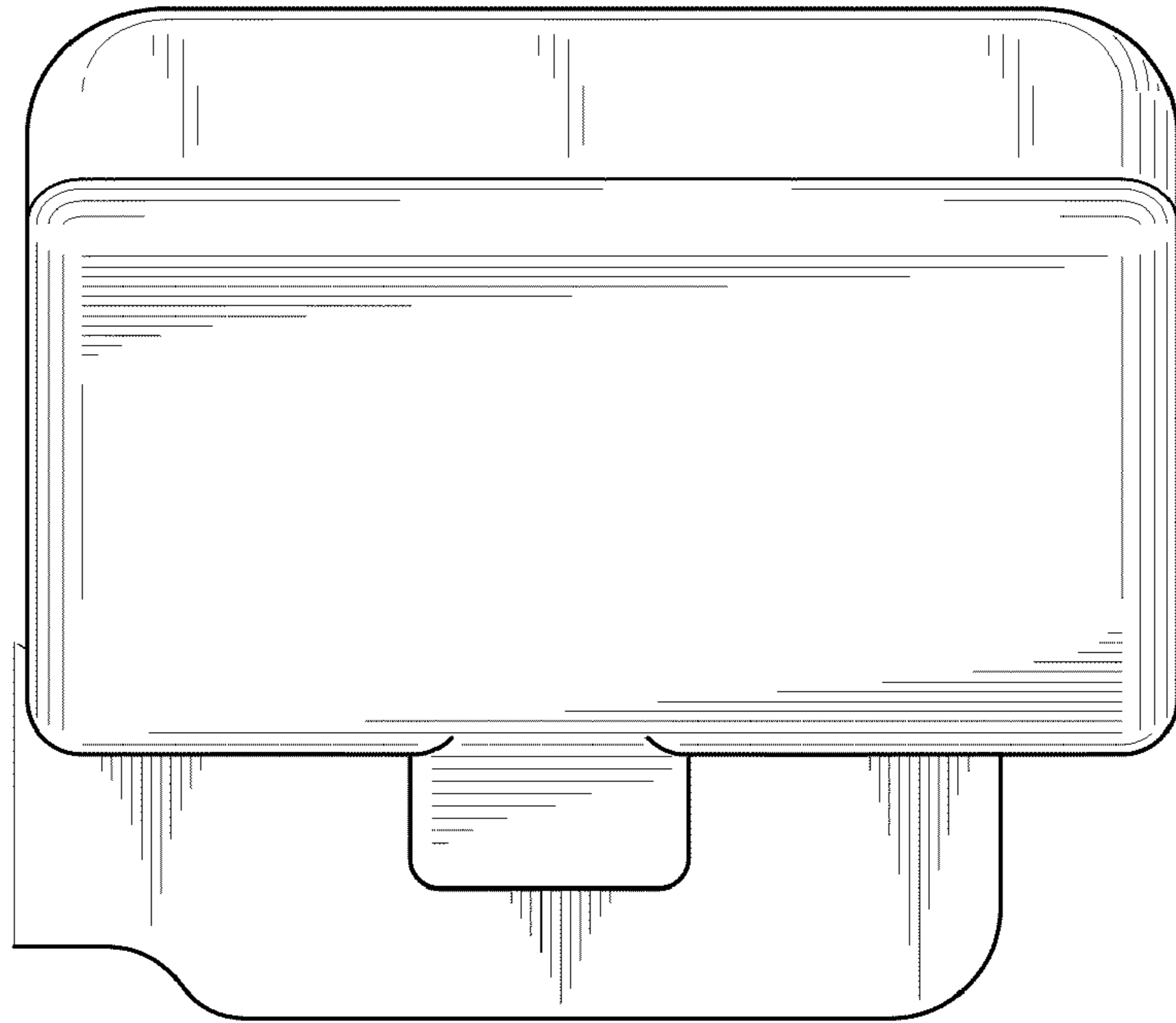
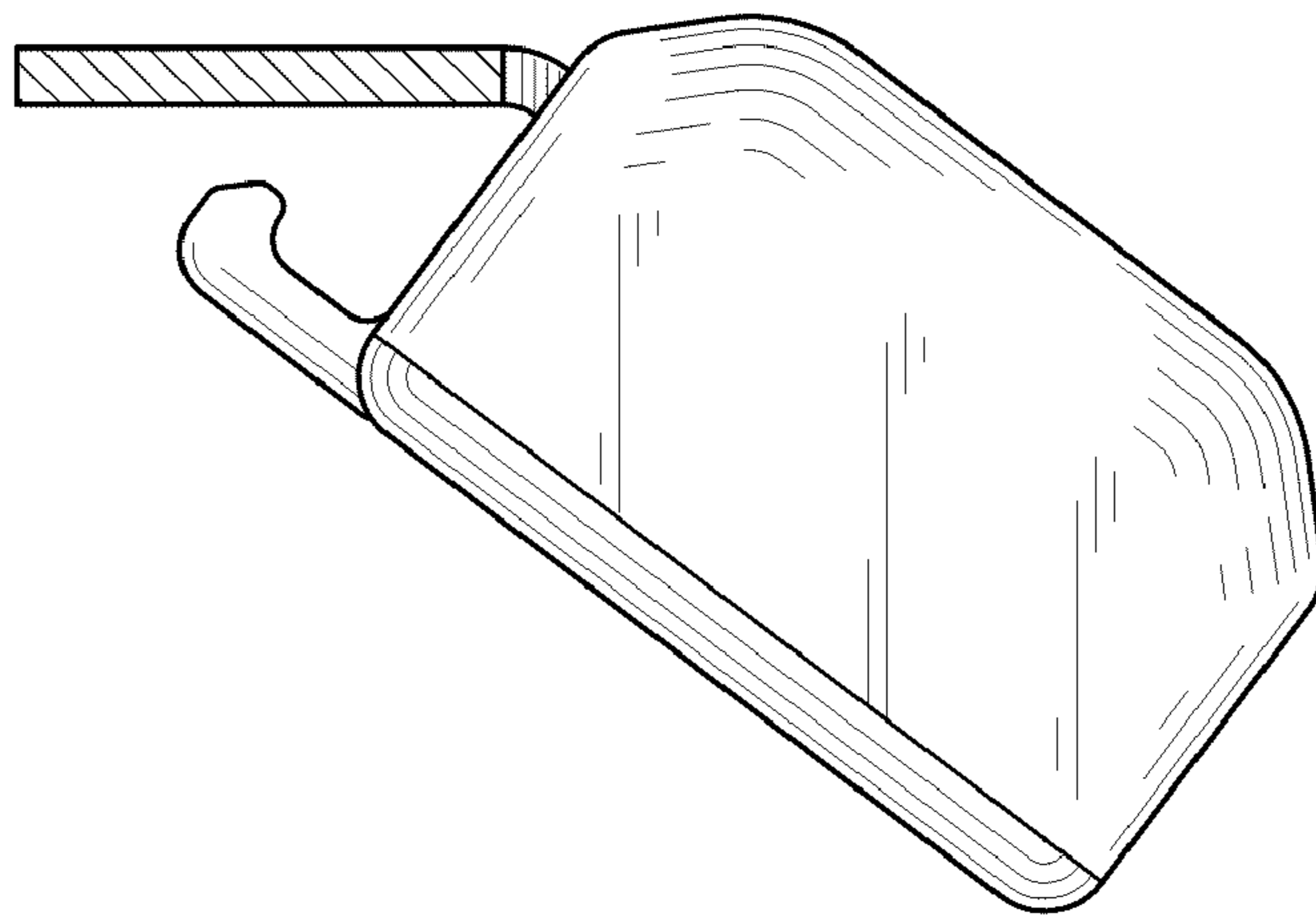


FIG. 12



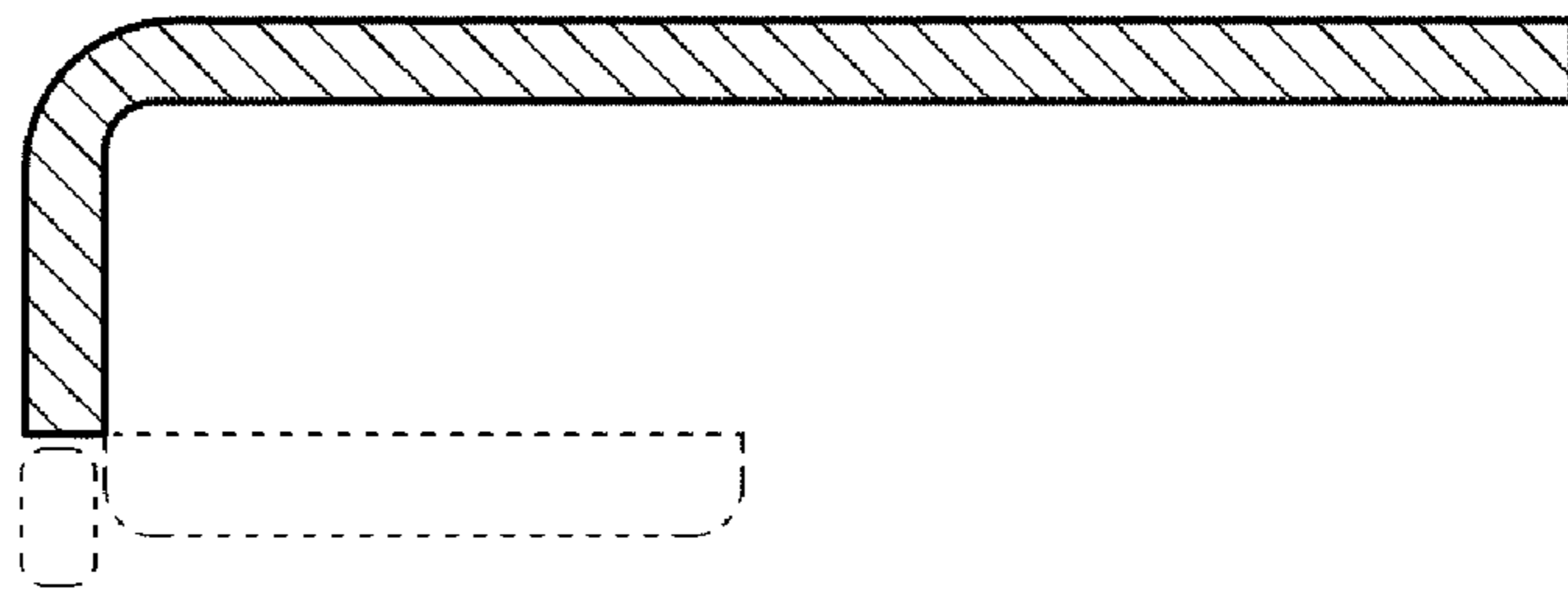


FIG. 13