



US00D655726S

(12) **United States Design Patent**  
**Matsumoto et al.**

(10) **Patent No.:** **US D655,726 S**  
(45) **Date of Patent:** **\*\* Mar. 13, 2012**

(54) **EMBROIDERY MACHINE**

(75) Inventors: **Nobuaki Matsumoto**, Nagoya (JP);  
**Shinya Fujihara**, Ichinomiya (JP)

(73) Assignee: **Brother Industries, Ltd.**, Nagoya (JP)

(\*\*) Term: **14 Years**

(21) Appl. No.: **29/344,806**

(22) Filed: **Oct. 5, 2009**

(30) **Foreign Application Priority Data**

Apr. 15, 2009 (JP) ..... 2009-008677

(51) **LOC (9) Cl.** ..... **15-06**

(52) **U.S. Cl.** ..... **D15/78**

(58) **Field of Classification Search** ..... D15/66-74;  
362/90, 225, 263, 259, 552, 553, 802, 809;  
112/270, 470.04-470.06

See application file for complete search history.

(56) **References Cited**

**U.S. PATENT DOCUMENTS**

2,598,452	A *	5/1952	Singer et al.	.....	362/90
4,084,216	A *	4/1978	Shonting	.....	362/90
4,747,024	A *	5/1988	Guthier	.....	362/90
4,821,657	A *	4/1989	Herdeg et al.	.....	112/470.04
6,732,668	B2 *	5/2004	Zesch et al.	.....	112/470.05
2010/0149784	A1 *	6/2010	Risinger et al.	.....	362/90
2010/0208450	A1 *	8/2010	Fujihara et al.	.....	362/90
2010/0242820	A1 *	9/2010	Fujihara et al.	.....	362/90

\* cited by examiner

*Primary Examiner* — Mitchell Siegel

(74) *Attorney, Agent, or Firm* — Oliff & Berridge, PLC

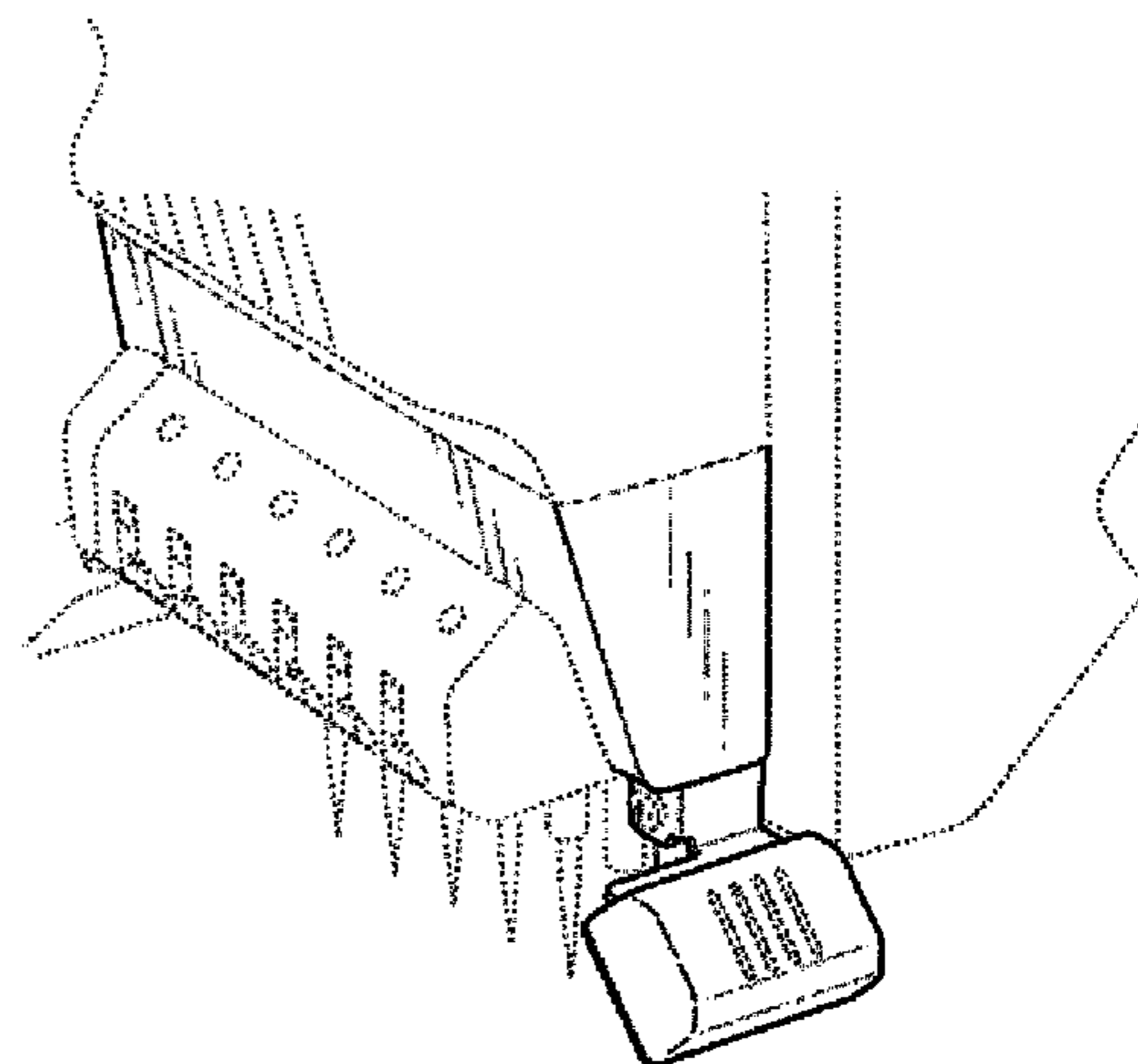
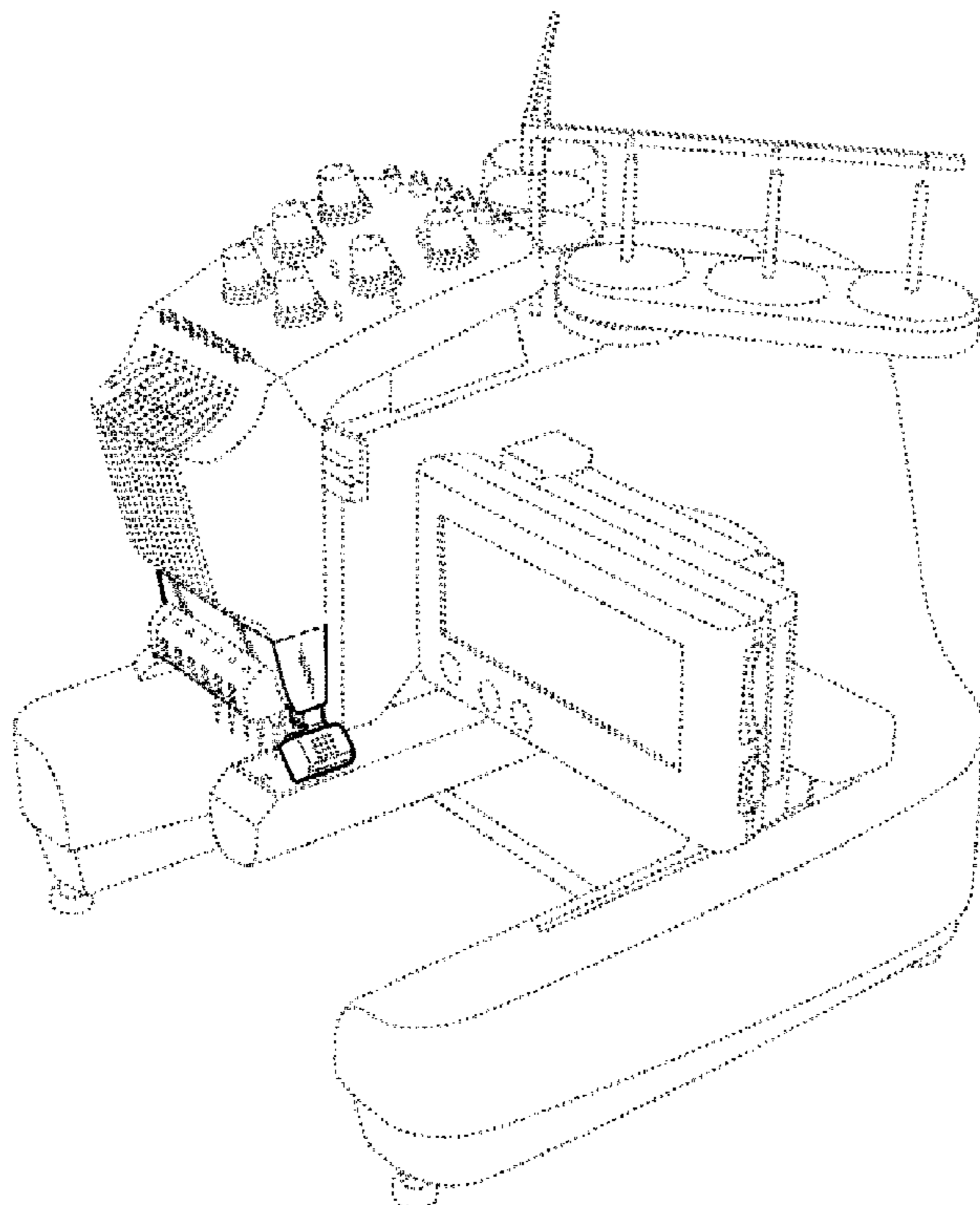
(57) **CLAIM**

The ornamental design for an embroidery machine, as shown and described.

**DESCRIPTION**

FIG. 1 is a perspective view of an embroidery machine;  
 FIG. 2 is a front view thereof;  
 FIG. 3 is a top view thereof;  
 FIG. 4 is a right-side view thereof;  
 FIG. 5 is a left-side view thereof;  
 FIG. 6 is a bottom view thereof;  
 FIG. 7 is an enlarged perspective view thereof;  
 FIG. 8 is an enlarged front view of a light thereof, with unclaimed subject matter removed;  
 FIG. 9 is an enlarged top view of the light thereof, with unclaimed subject matter removed;  
 FIG. 10 is an enlarged partial right-side view of the light thereof, with unclaimed subject matter removed;  
 FIG. 11 is an enlarged partial left-side view of the light thereof, with unclaimed subject matter removed;  
 FIG. 12 is an enlarged rear view of the light thereof, with unclaimed subject matter removed; and,  
 FIG. 13 is an enlarged bottom view of the light thereof, with unclaimed subject matter removed.  
 The broken lines depict environmental subject matter only and form no part of the claimed design.  
 The dot-chain lines illustrate a border of the claimed subject matter and form no part of the claimed design.

**1 Claim, 12 Drawing Sheets**



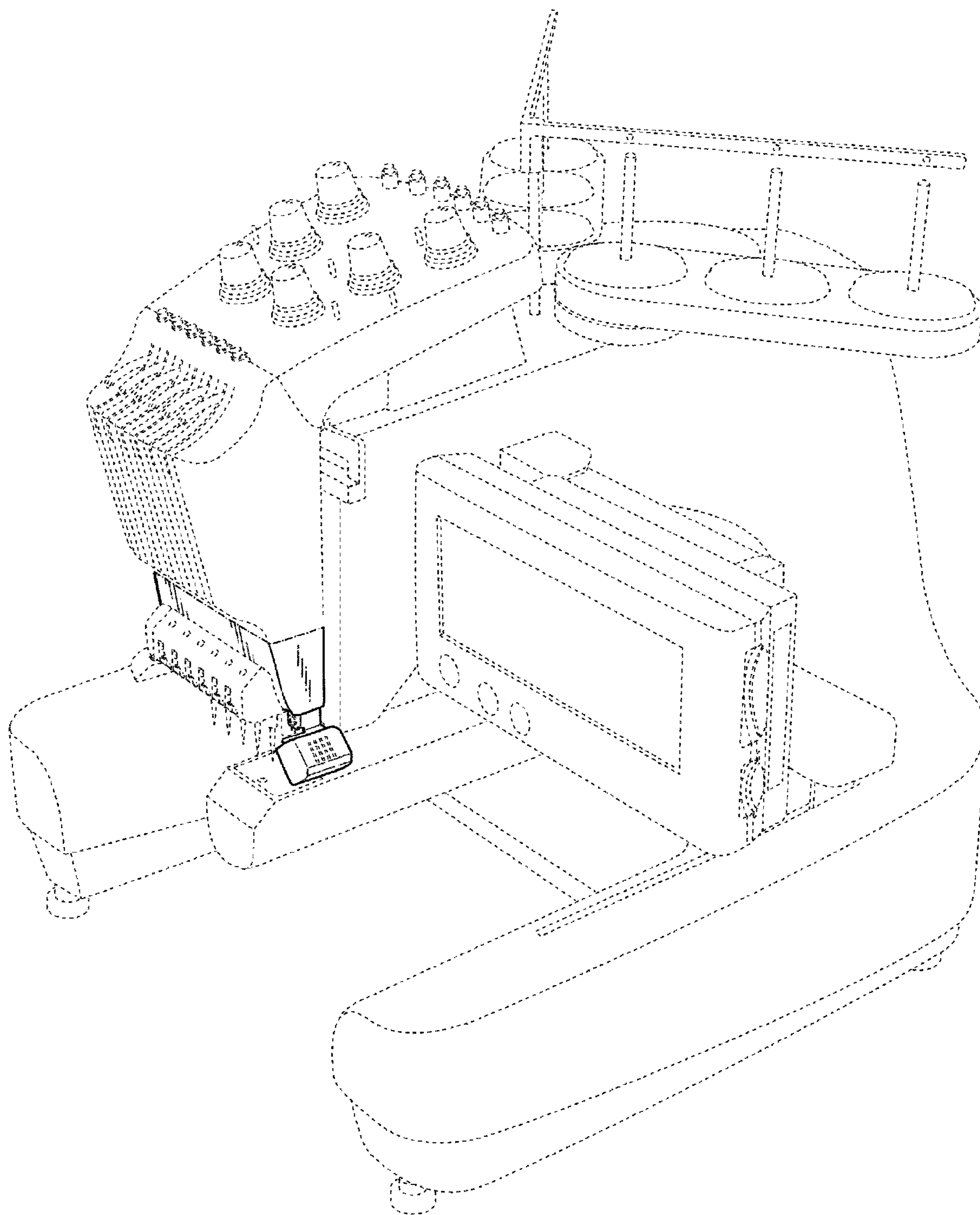


FIG. 1

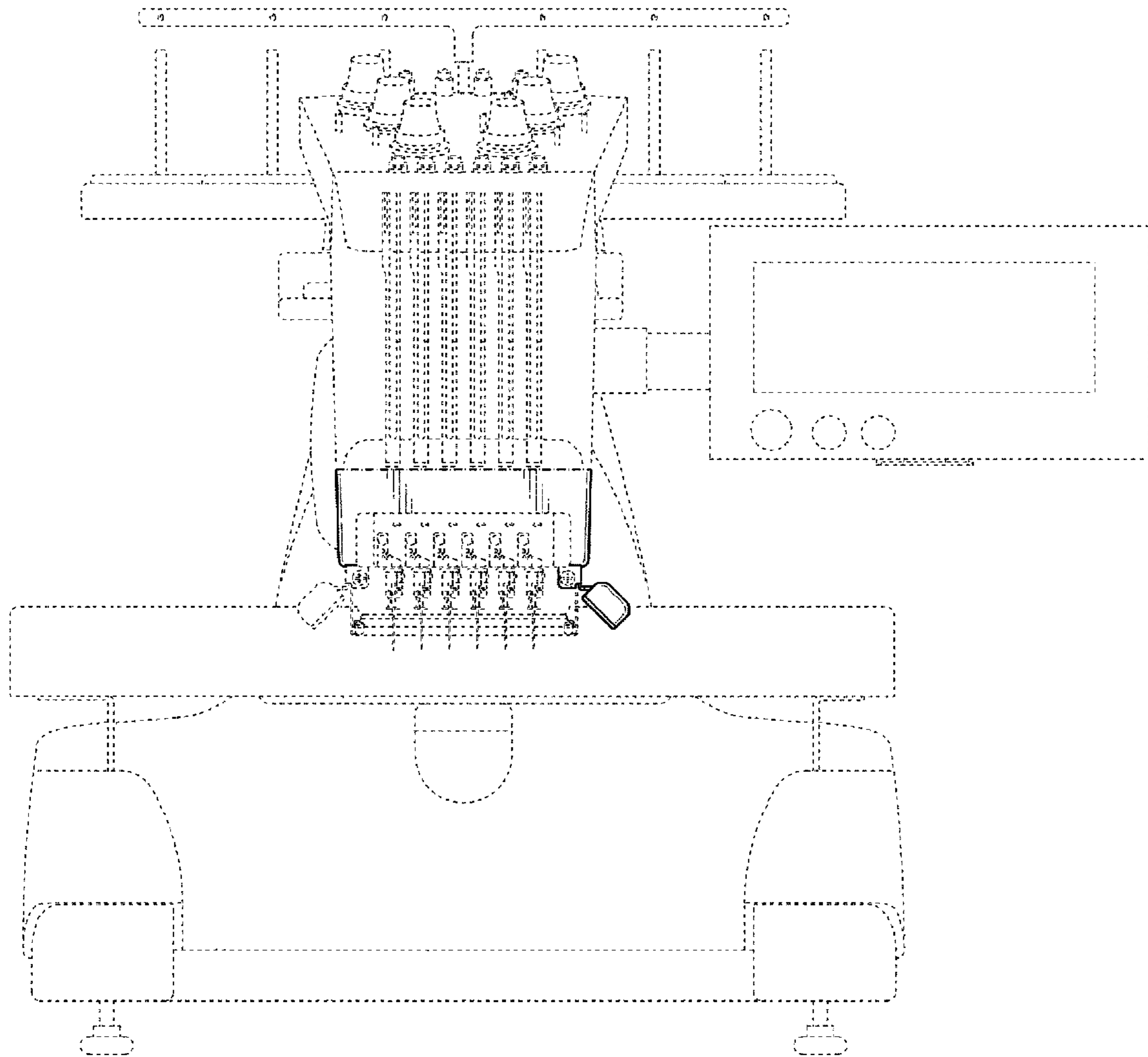


FIG. 2

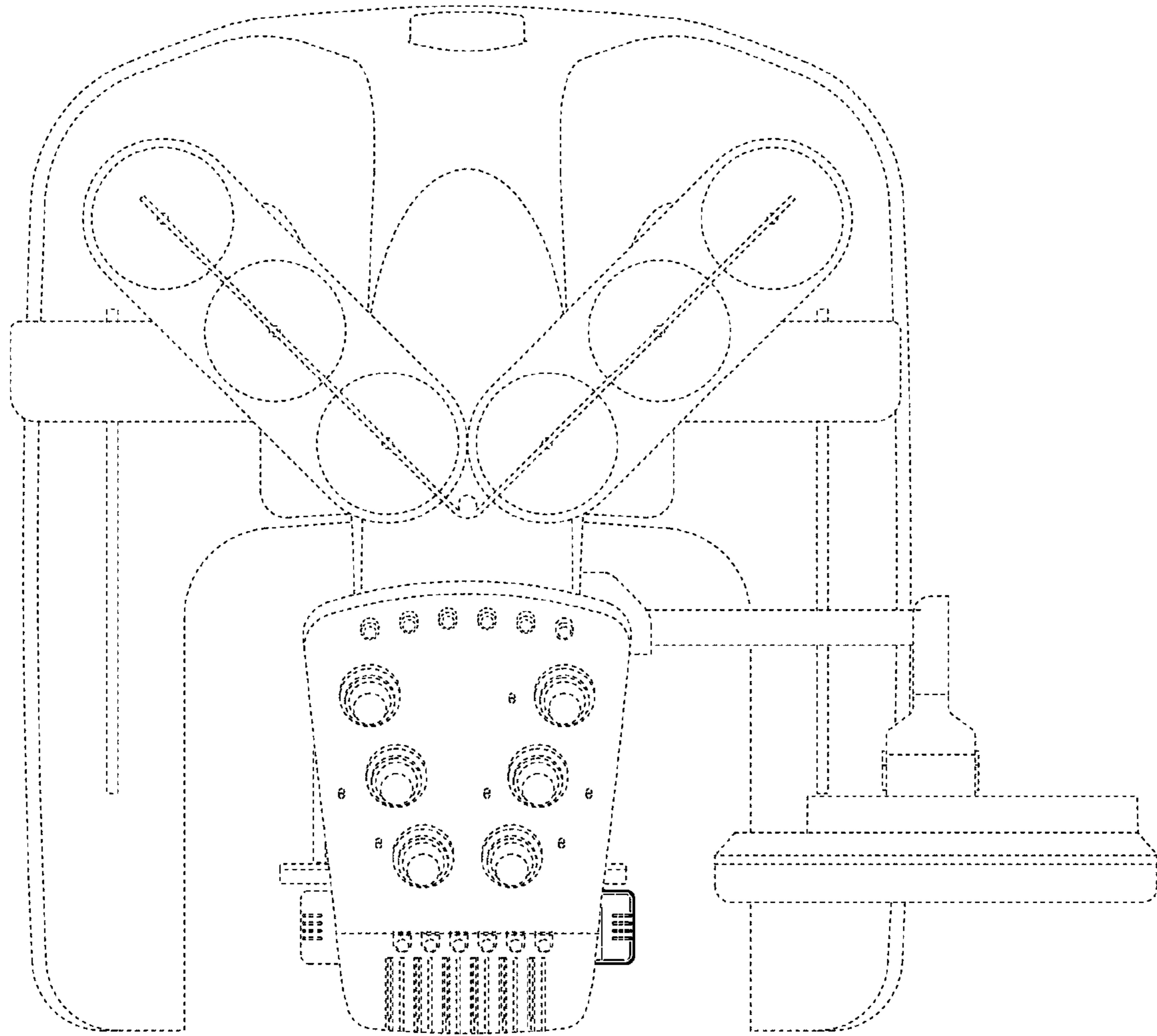


FIG. 3

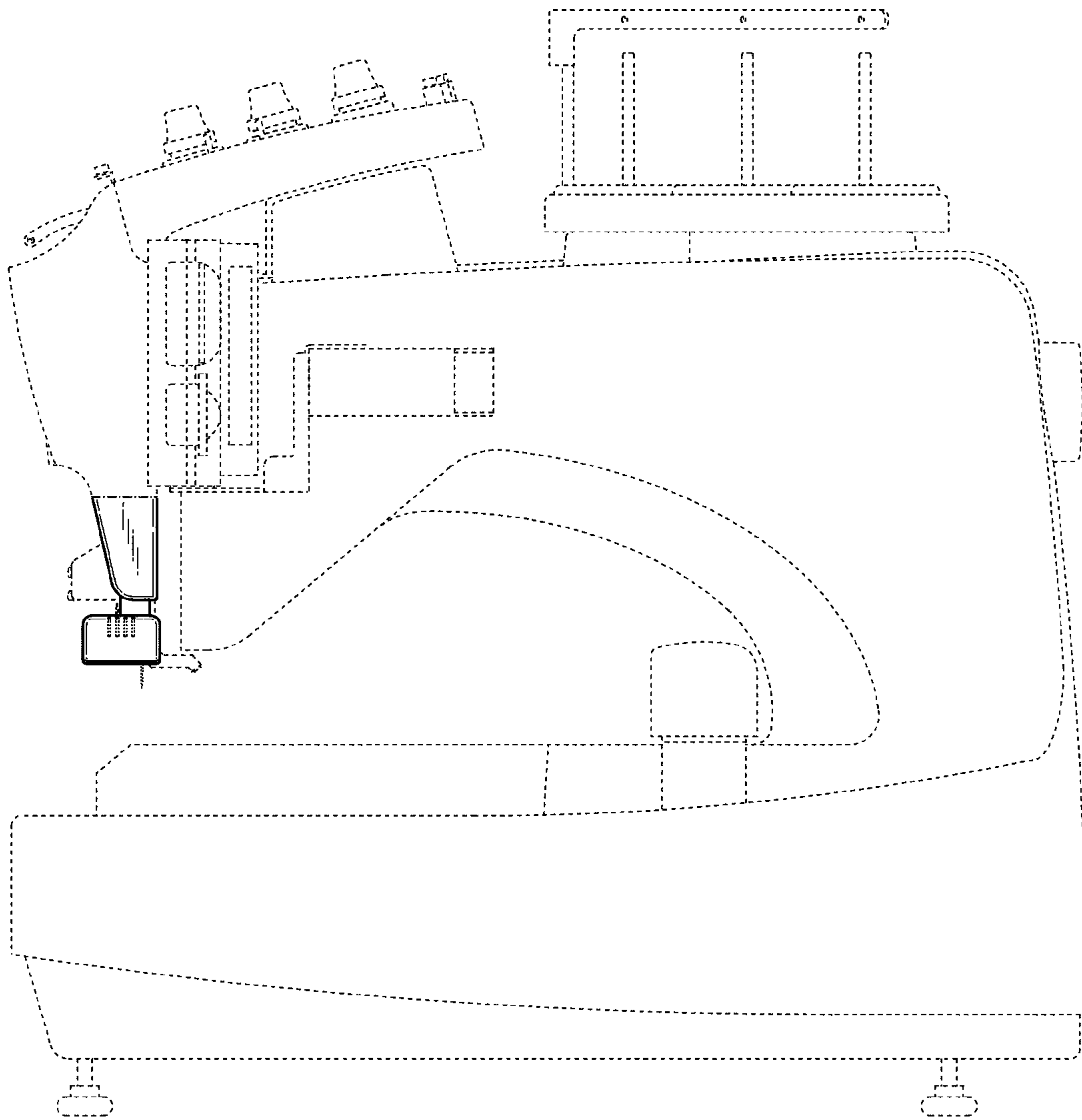


FIG. 4

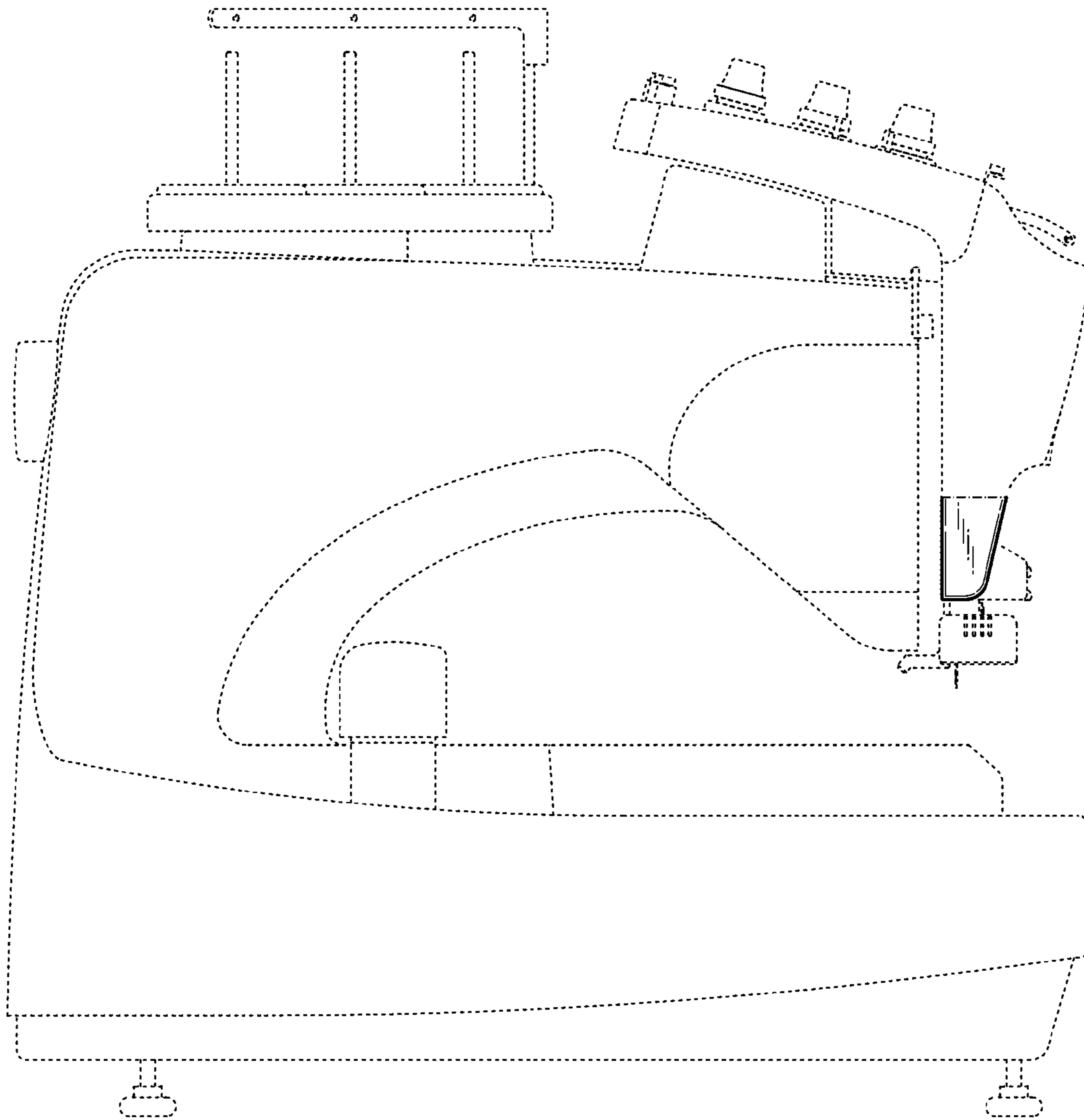


FIG. 5

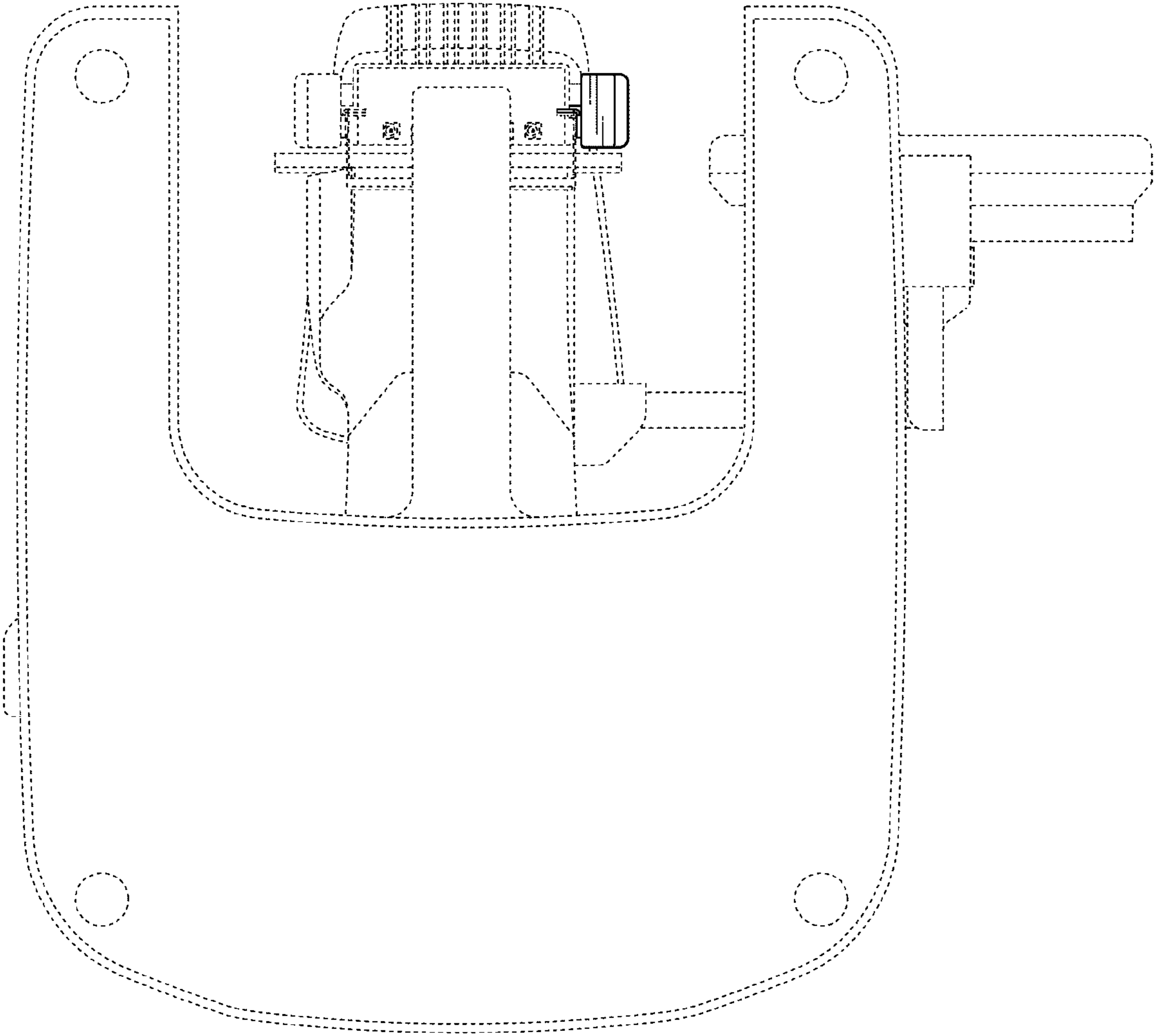


FIG. 6

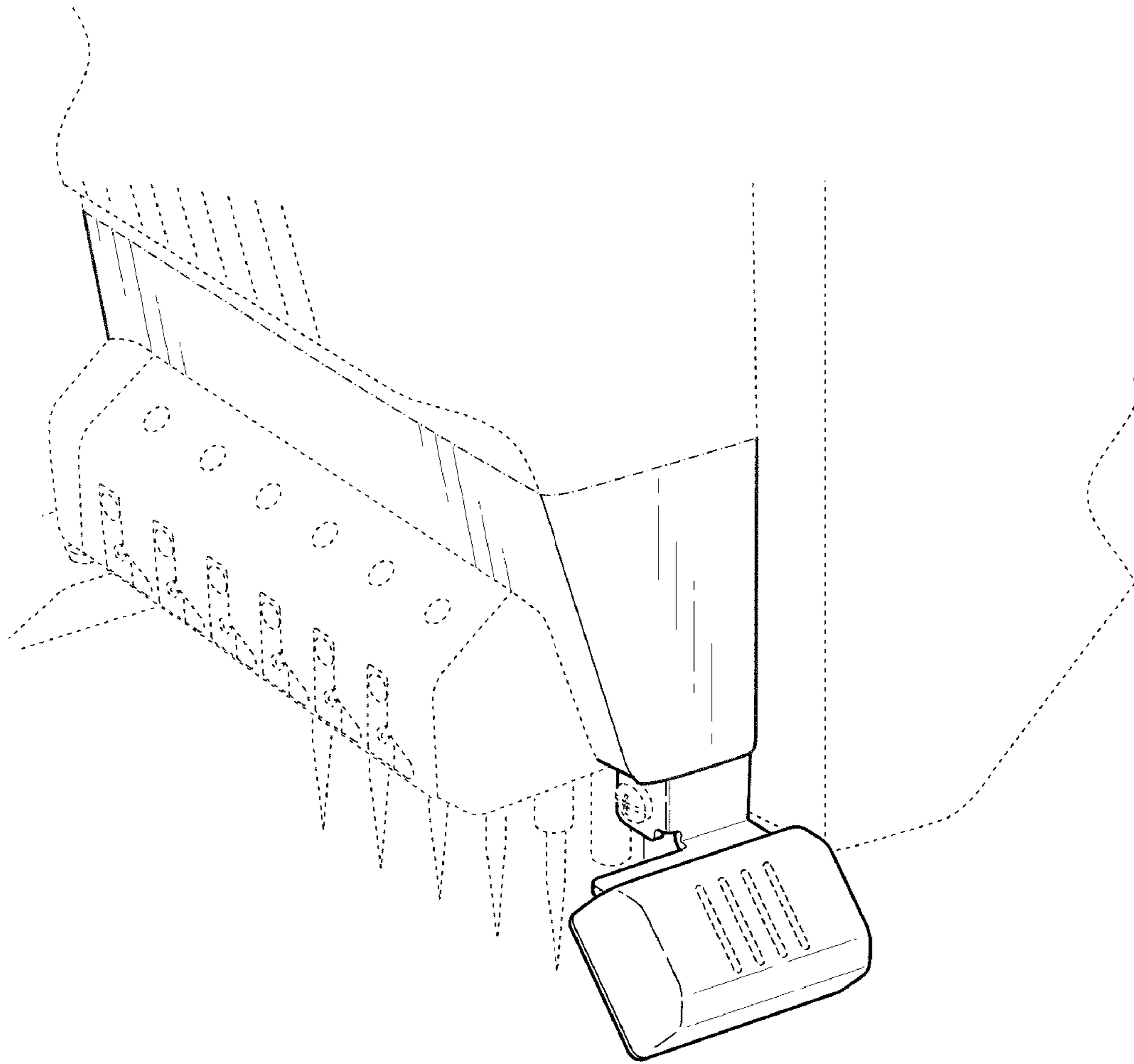


FIG. 7



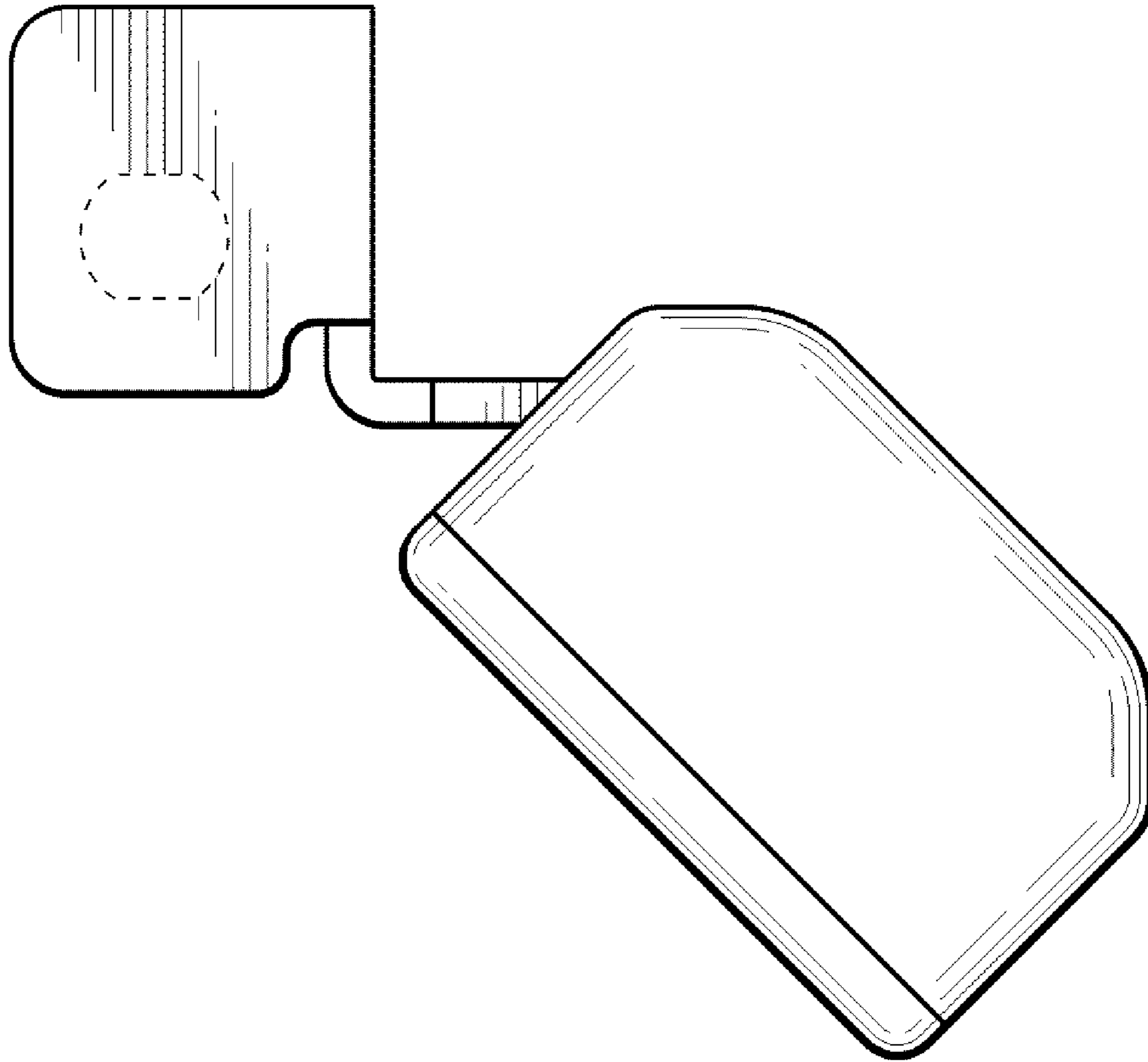


FIG. 8

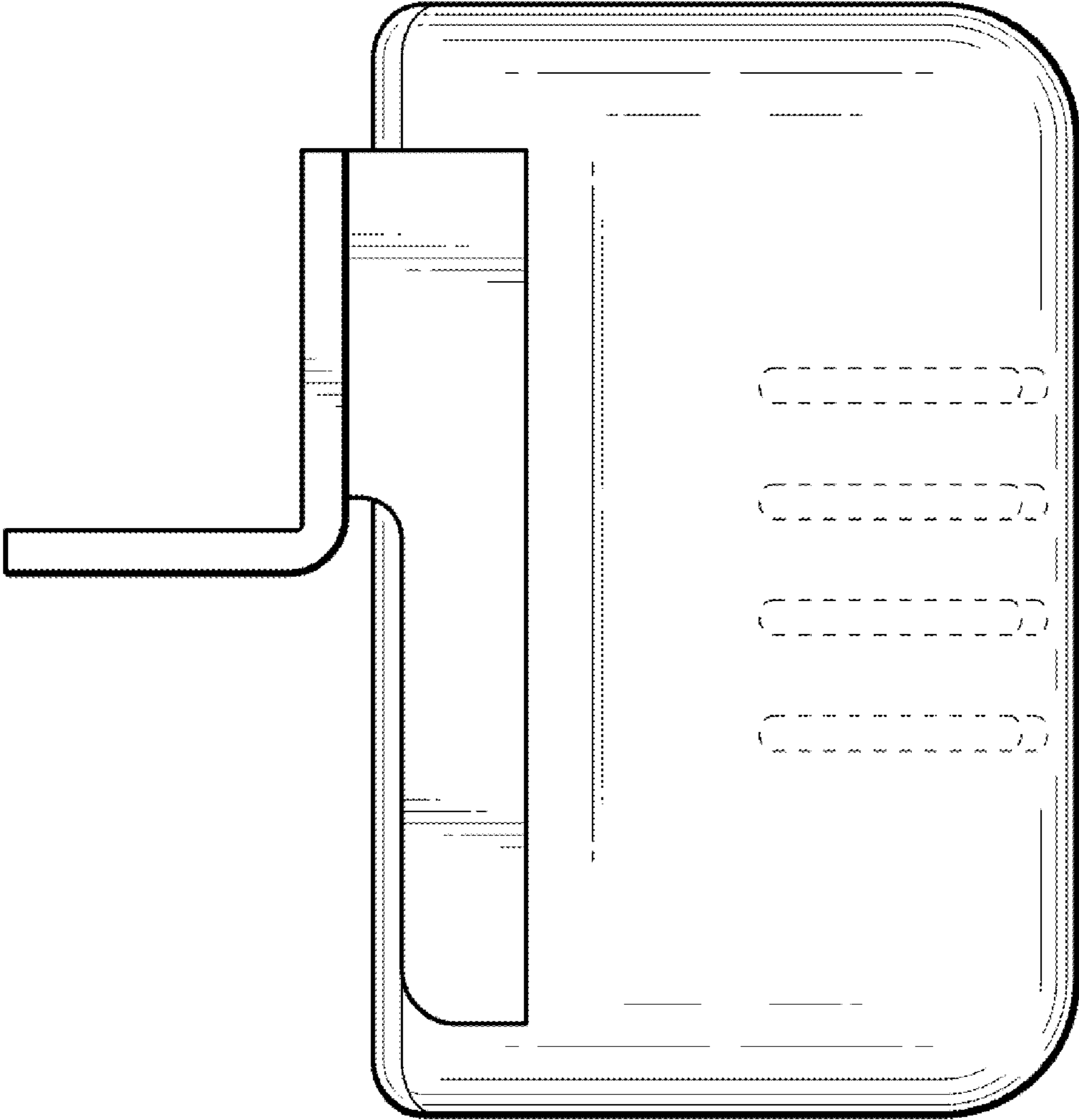


FIG. 9

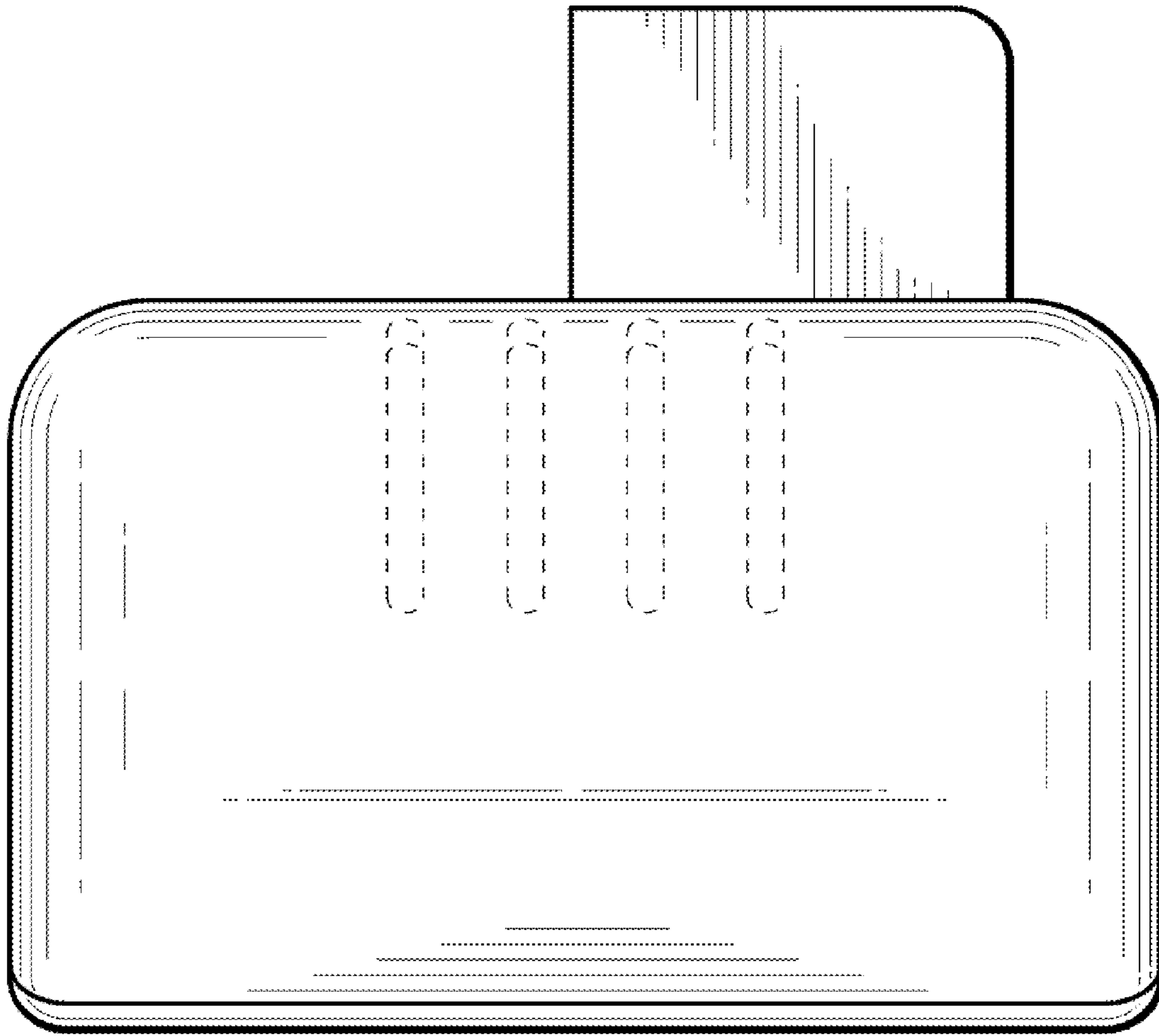


FIG. 10

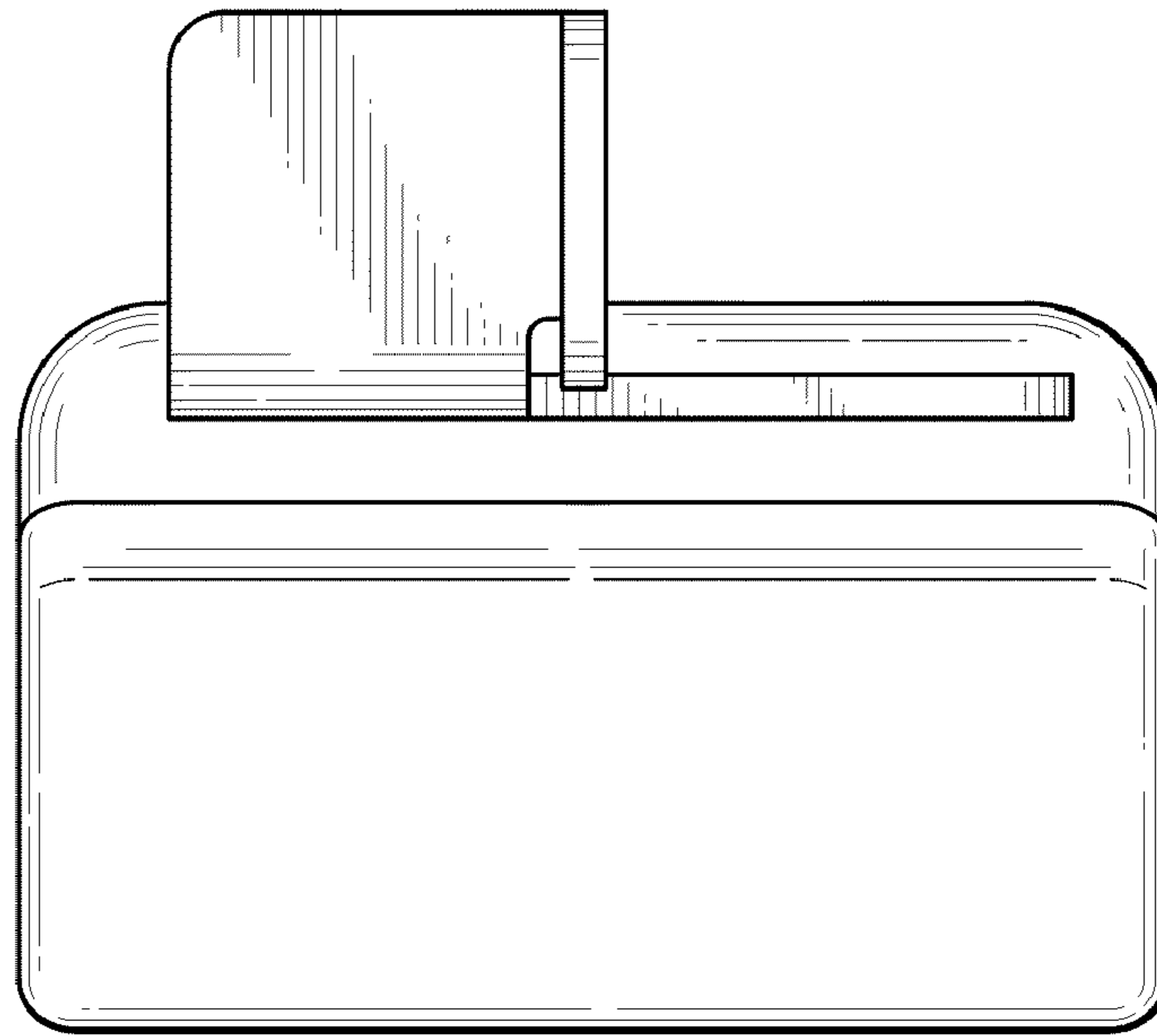


FIG. 11

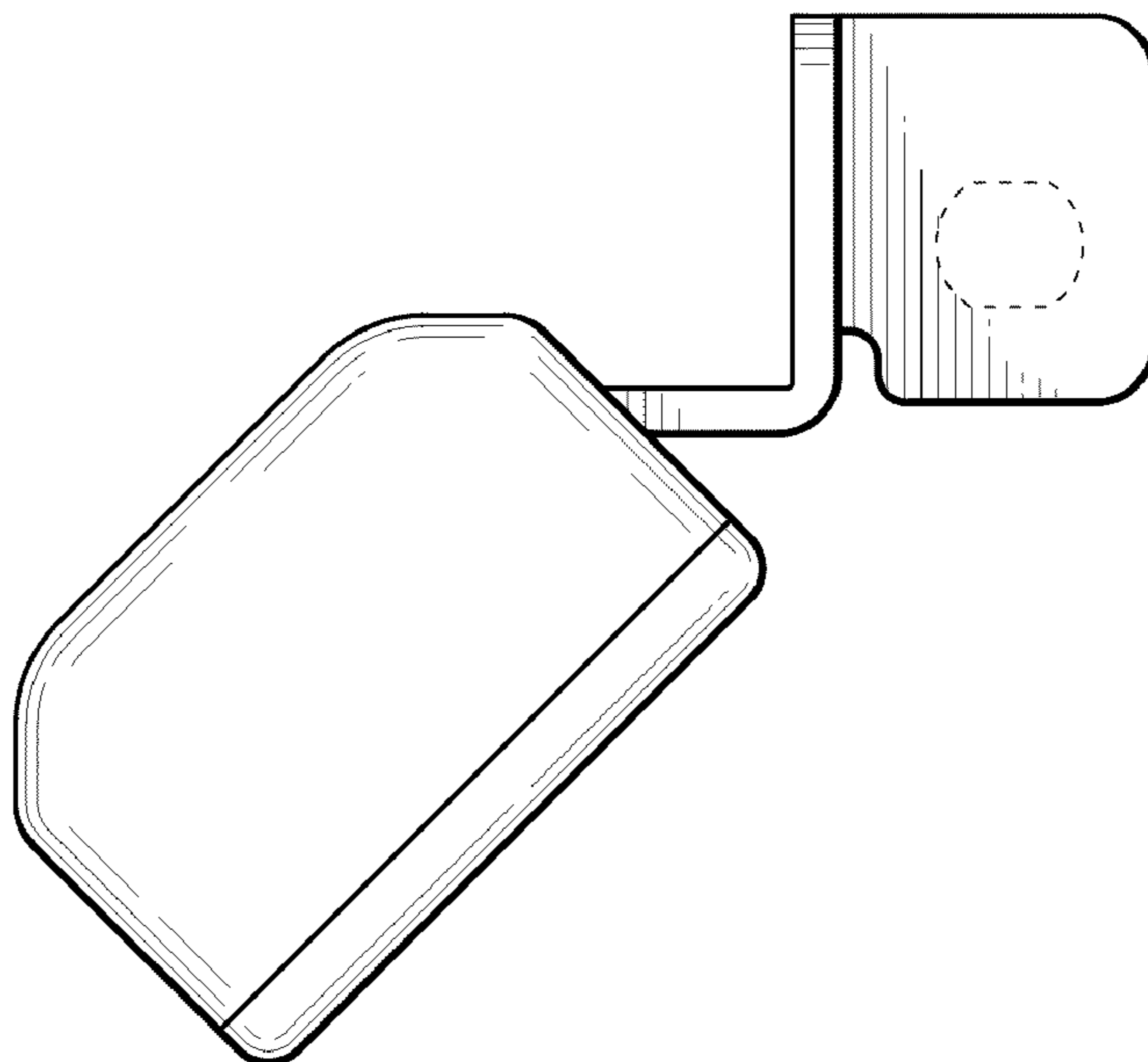


FIG. 12

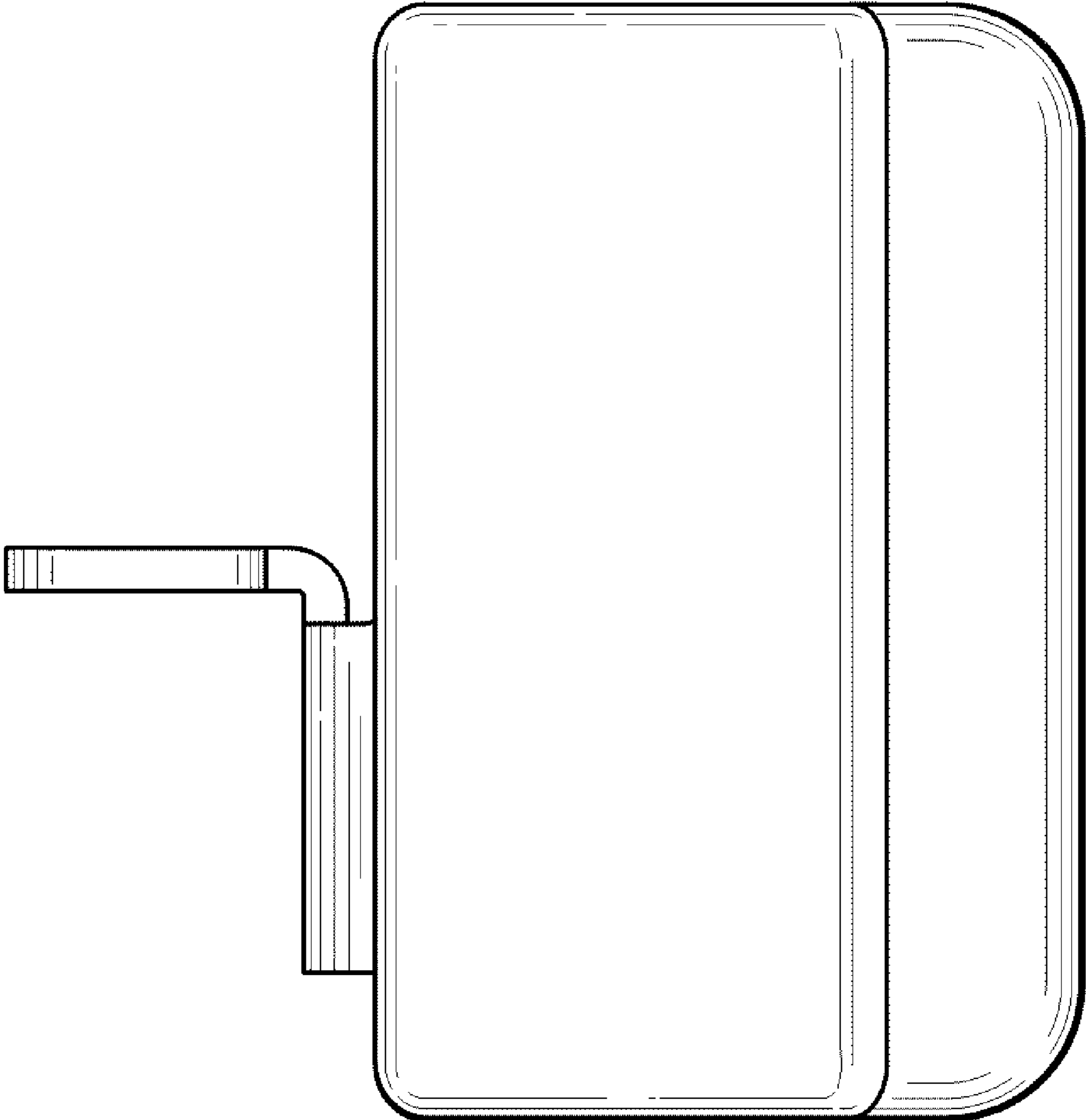


FIG. 13