



US00D655724S

(12) **United States Design Patent**
Shimozono

(10) **Patent No.:** **US D655,724 S**
(45) **Date of Patent:** **** Mar. 13, 2012**

(54) **METALLIC CORE OF RUBBER CRAWLER**

(75) Inventor: **Nobuo Shimozono**, Tokyo (JP)

(73) Assignee: **Bridgestone Corporation**, Tokyo (JP)

(**) Term: **14 Years**

(21) Appl. No.: **29/396,698**

(22) Filed: **Jul. 6, 2011**

(30) **Foreign Application Priority Data**

Apr. 14, 2011 (JP) 2011-008635

(51) **LOC (9) Cl.** **15-03**

(52) **U.S. Cl.** **D15/28**

(58) **Field of Classification Search** D15/22-26,
D15/28; 305/170-177, 159, 187, 189, 167,
305/165, 51, 111, 46, 198, 53, 204, 193
See application file for complete search history.

(56) **References Cited**

U.S. PATENT DOCUMENTS

4,678,244	A *	7/1987	Furuta et al.	305/175
5,308,155	A *	5/1994	Katoh	305/174
5,399,003	A *	3/1995	Katoh	305/171
5,403,643	A *	4/1995	Tsuru	428/120
5,522,654	A *	6/1996	Katoh	305/174
5,522,655	A *	6/1996	Katoh	305/174
5,997,110	A *	12/1999	Katoh et al.	305/169
6,106,083	A *	8/2000	Ono	305/171
7,413,268	B2 *	8/2008	Kato et al.	305/172
D587,728	S *	3/2009	Shimozono	D15/28
D588,167	S *	3/2009	Shimozono	D15/28
D588,168	S *	3/2009	Shimozono	D15/28
D618,255	S *	6/2010	Abiko	D15/28
2003/0025391	A1 *	2/2003	Ueno	305/157
2004/0075340	A1 *	4/2004	Watanabe et al.	305/177
2005/0001482	A1 *	1/2005	Ueno	305/177
2005/0218722	A1 *	10/2005	Kurokawa	305/171
2006/0061212	A1 *	3/2006	Uchiyama	305/167

2006/0163944	A1 *	7/2006	Tsuru et al.	305/165
2006/0279138	A1 *	12/2006	Kato et al.	305/177
2008/0129111	A1 *	6/2008	Pringiers	305/171

FOREIGN PATENT DOCUMENTS

JP	000923494	S	4/1995
JP	001041597	S	6/1999
JP	001255324	S	11/2005
JP	001331102	S	5/2008
JP	001331103	S	5/2008

OTHER PUBLICATIONS

Japanese Design Gazette dated Dec. 12, 2011 issued in the counter-
part Japanese Design Application No. D2011-8635.

* cited by examiner

Primary Examiner — Mark Goodwin

(74) *Attorney, Agent, or Firm* — Sughrue Mion, PLLC

(57) **CLAIM**

The ornamental design for a metallic core of rubber crawler,
as shown and described.

DESCRIPTION

FIG. 1 is a perspective view of a metallic core of rubber crawler showing my new design;
FIG. 2 is a front view thereof;
FIG. 3 is a rear view thereof;
FIG. 4 is a plane view thereof;
FIG. 5 is a bottom view thereof;
FIG. 6 is a left side view thereof;
FIG. 7 is a right side view thereof;
FIG. 8 is a central longitudinal sectional view taken along the line 8-8 in FIG. 4 thereof;
FIG. 9 is a central longitudinal sectional view taken along the line 9-9 in FIG. 4 thereof; and,
FIG. 10 is a central longitudinal sectional view taken along the line 10-10 in FIG. 4.

1 Claim, 10 Drawing Sheets

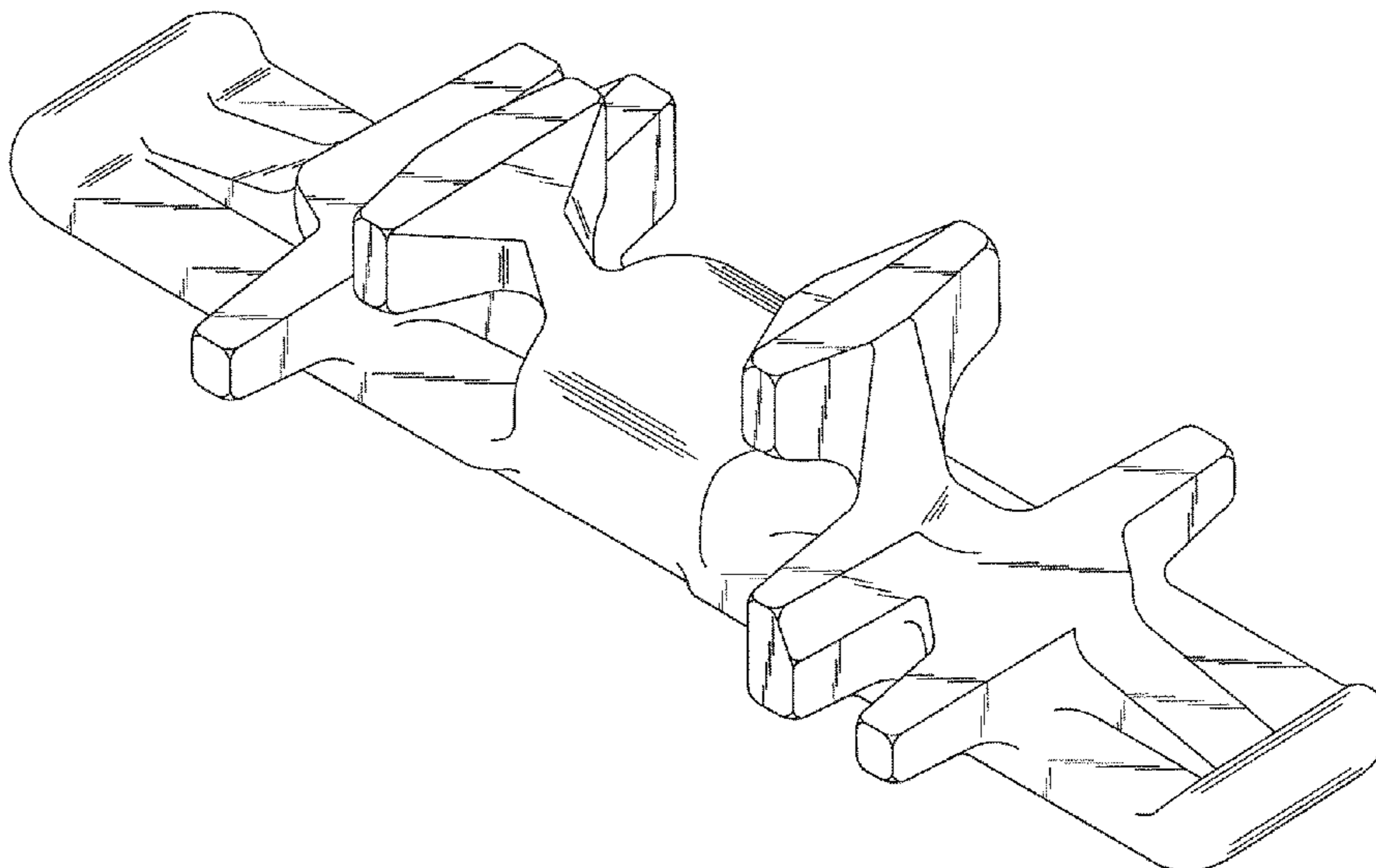


FIG. 1

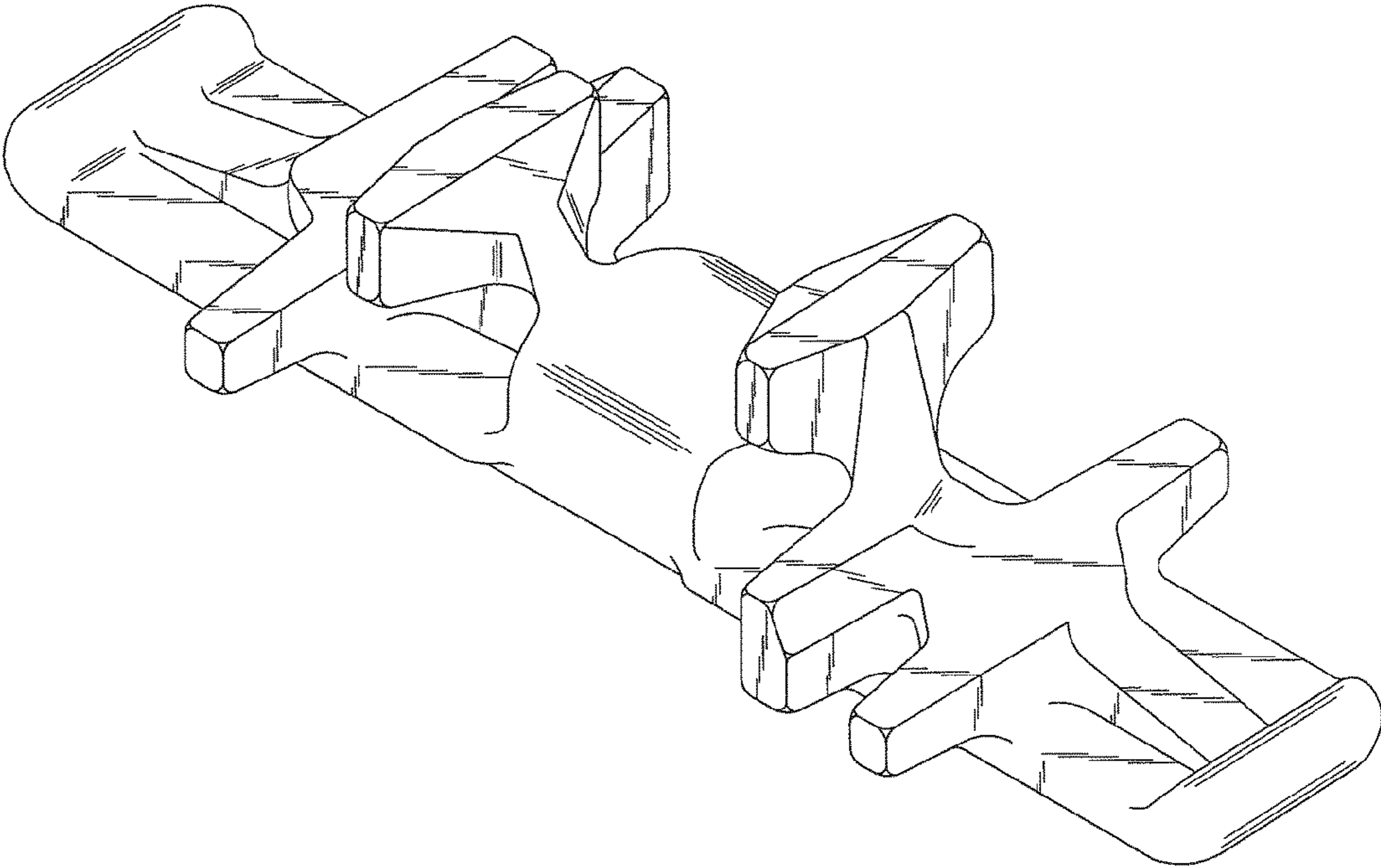


FIG. 2

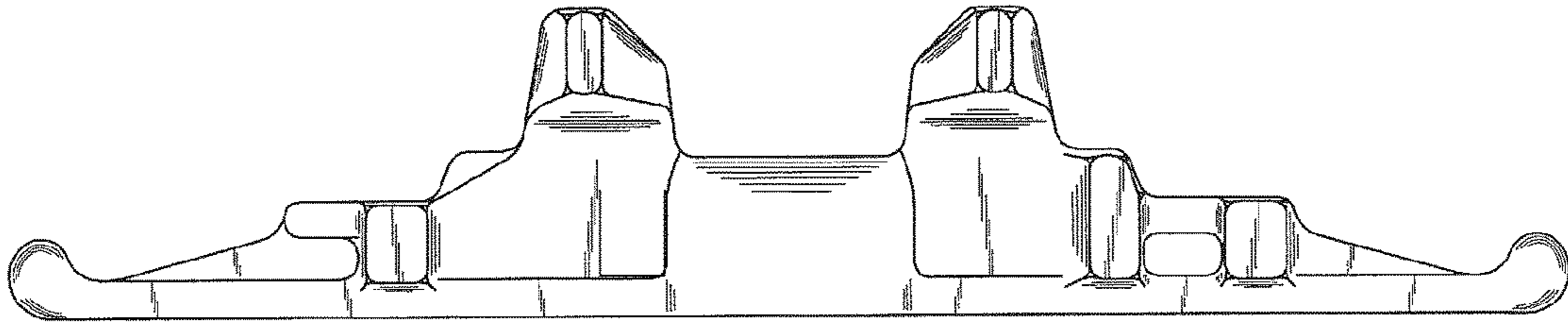


FIG. 3

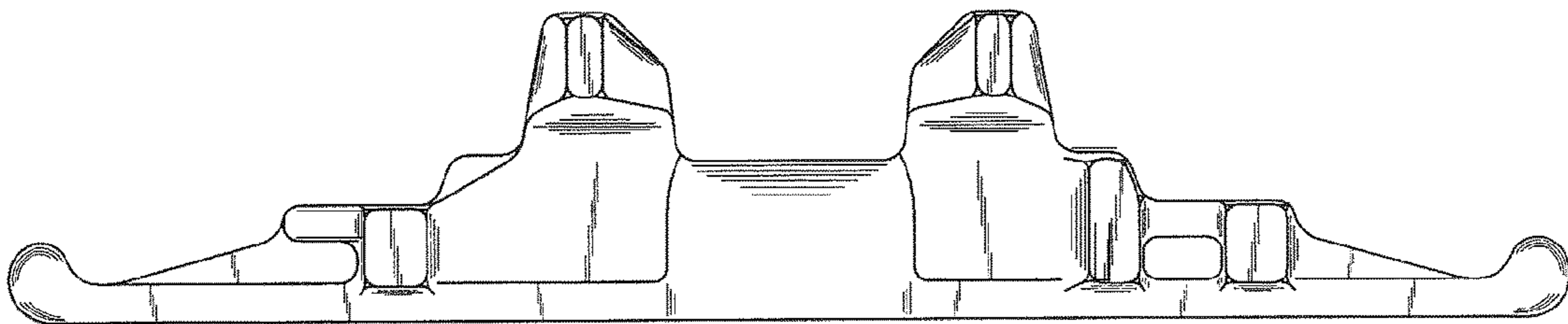


FIG. 4

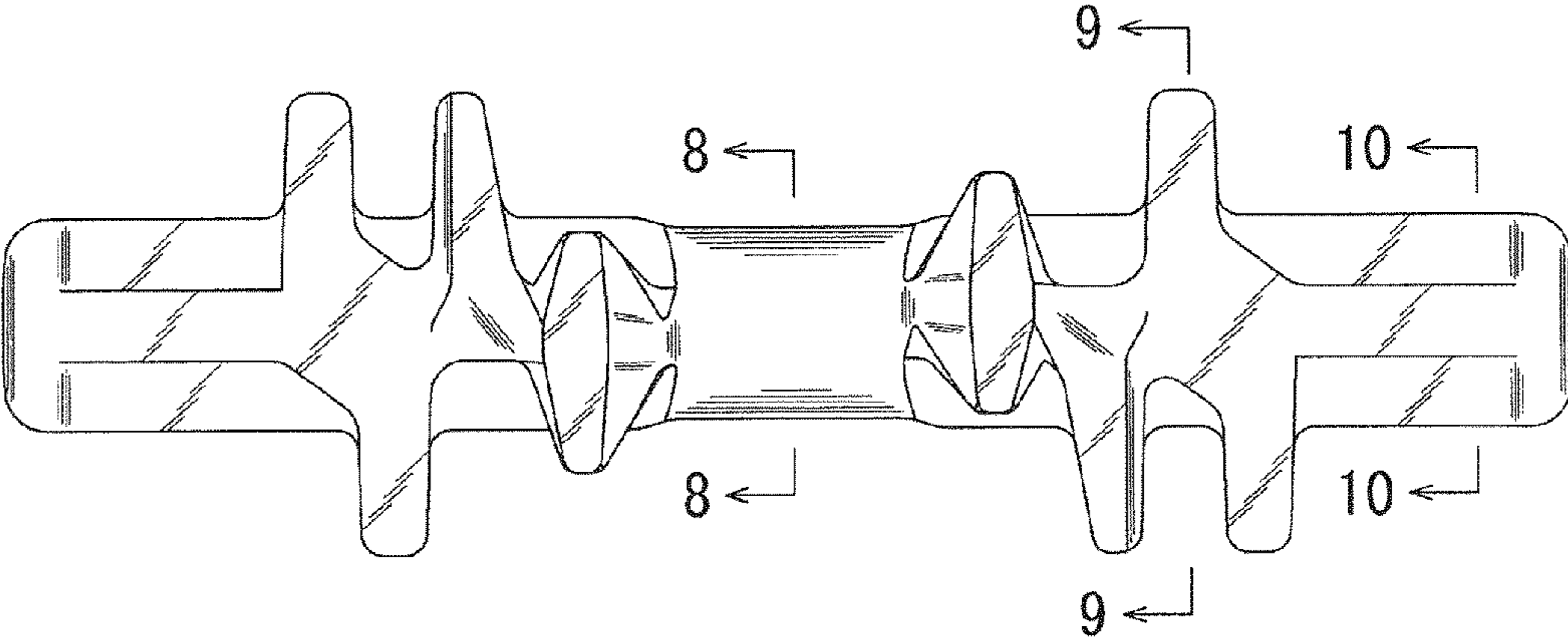


FIG. 5

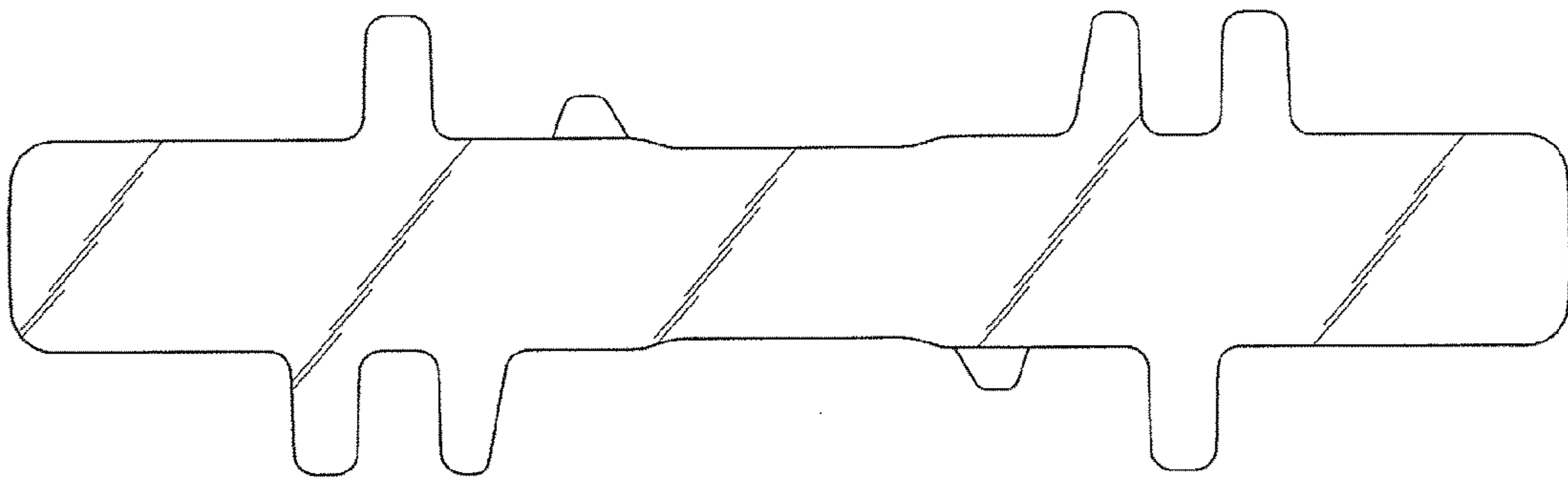


FIG. 6

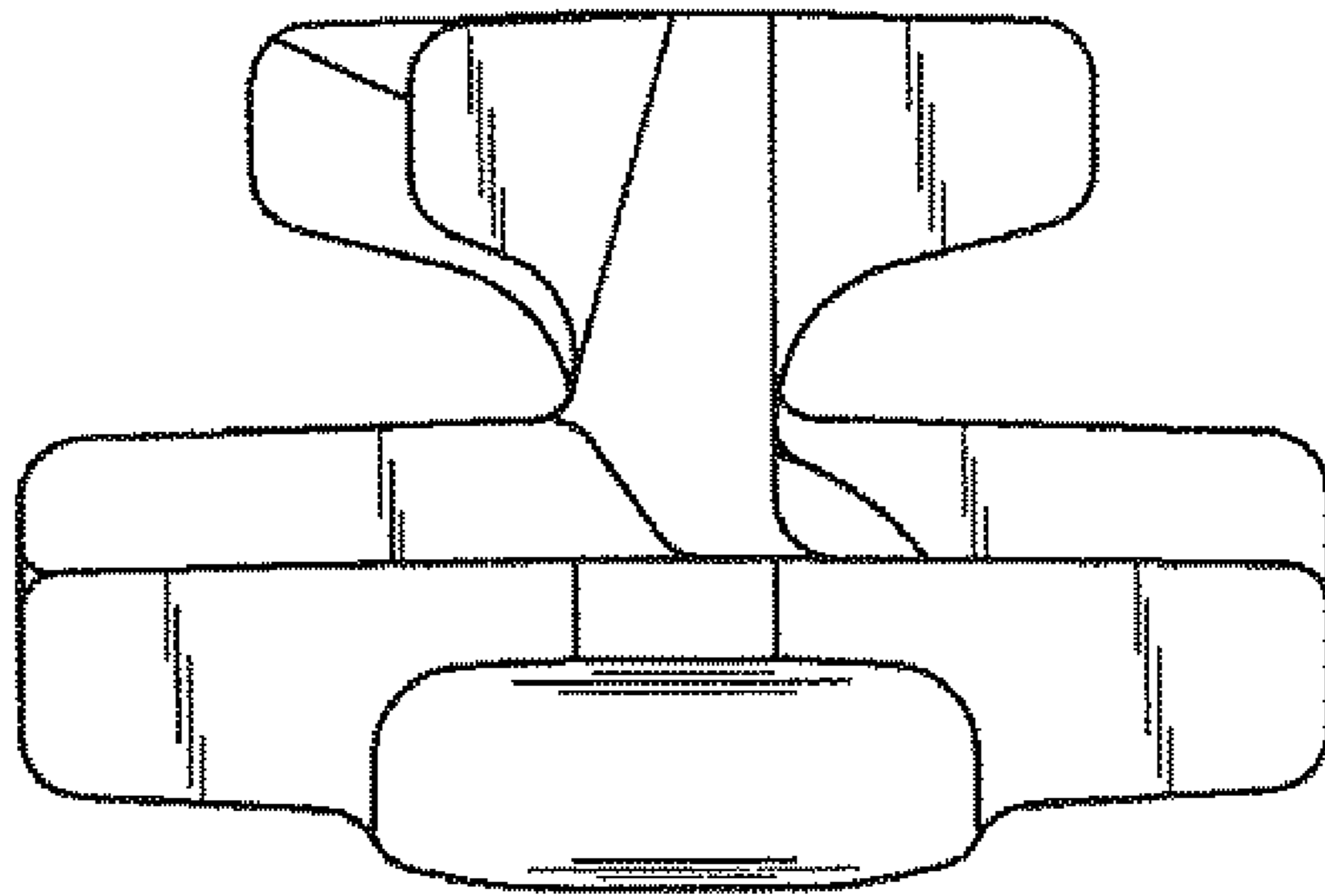


FIG. 7

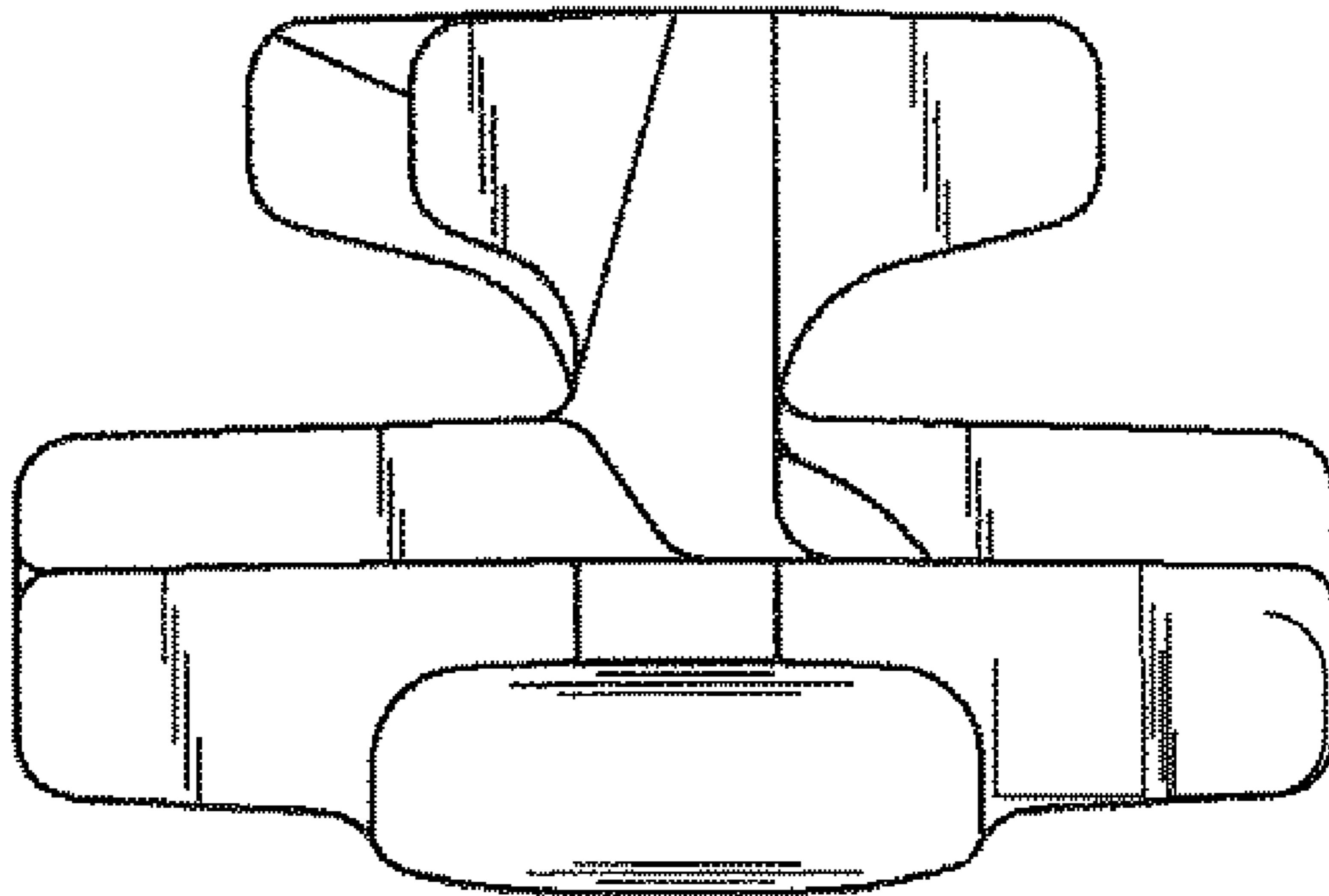


FIG. 8

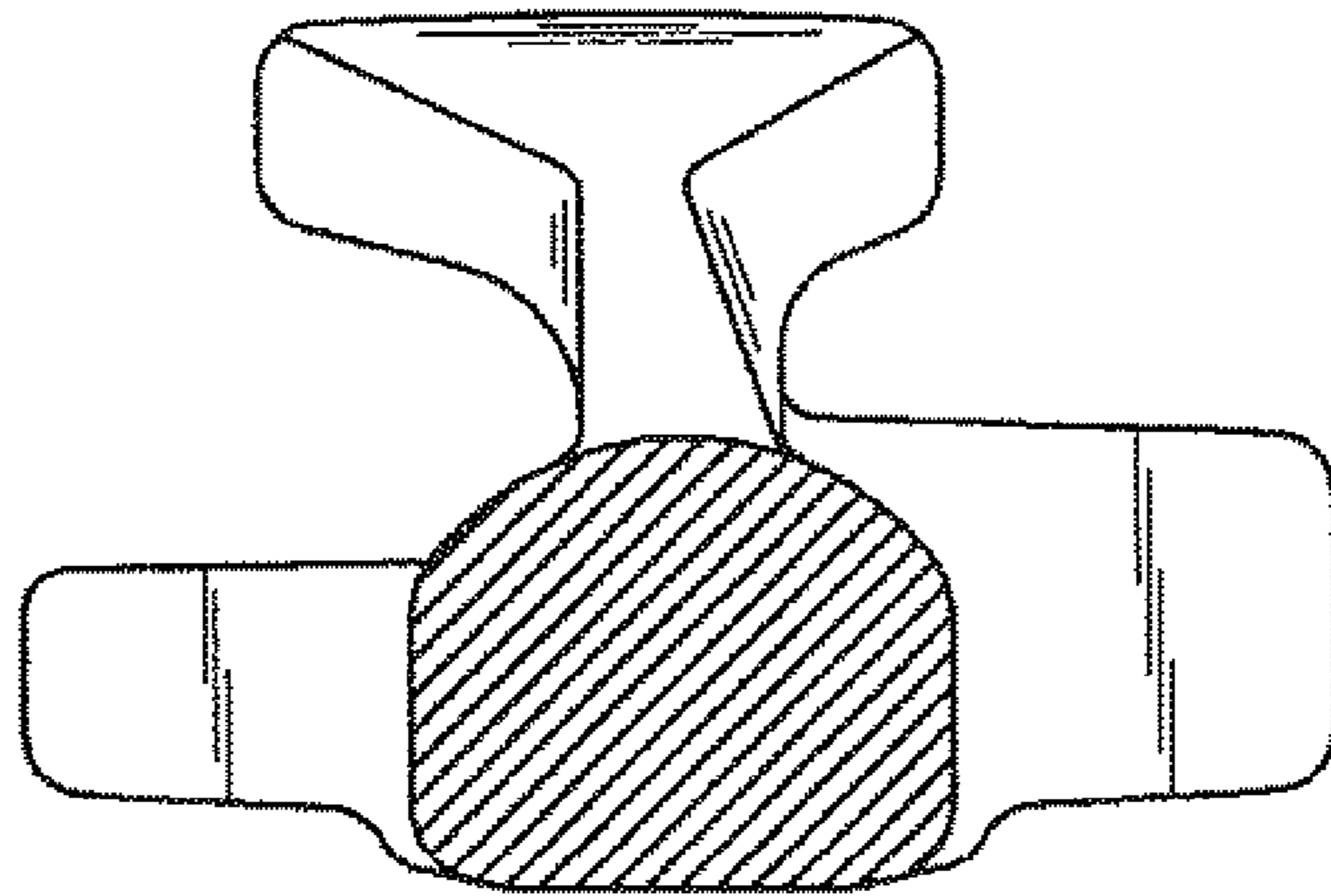


FIG. 9

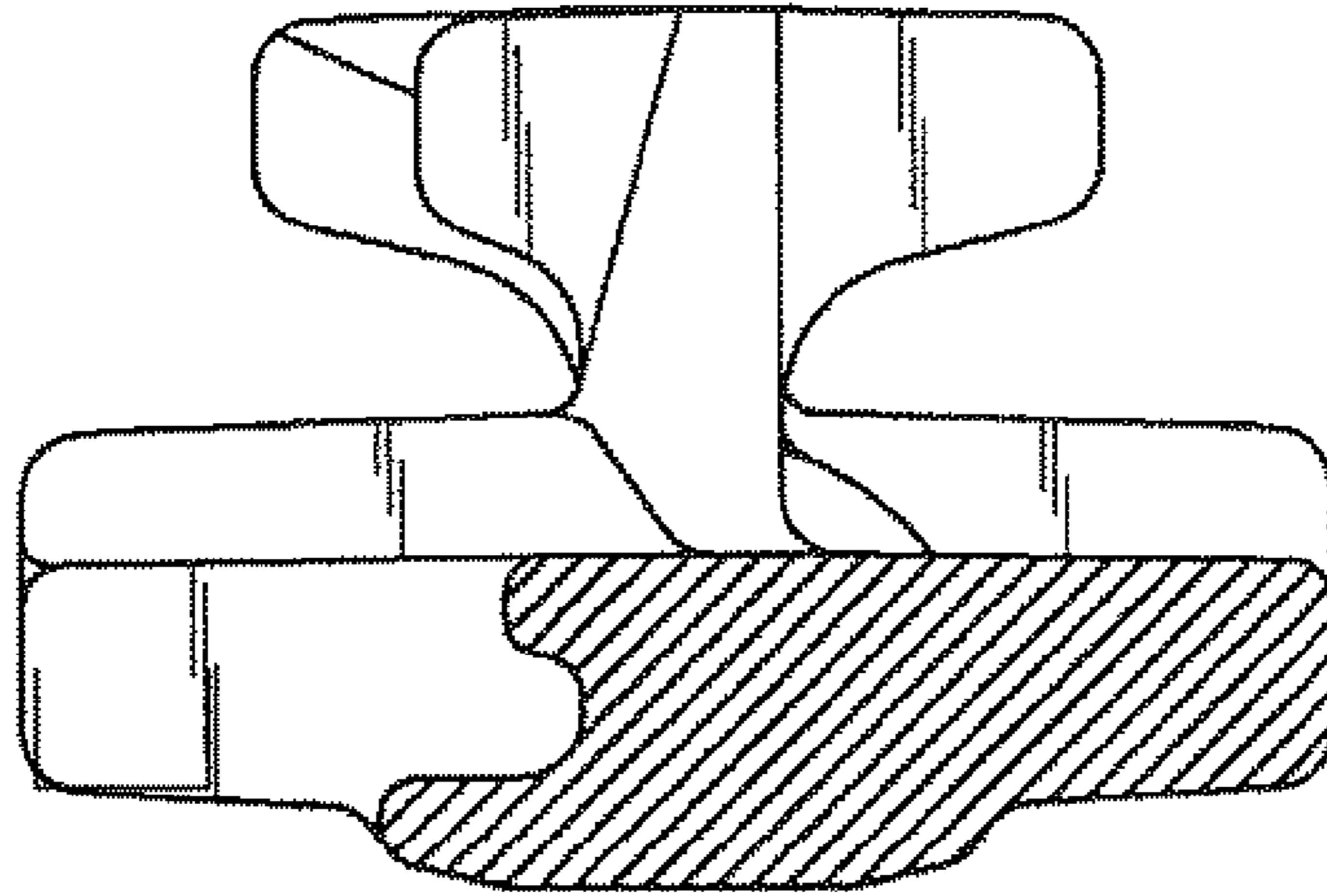


FIG. 10

