



US00D655721S

(12) **United States Design Patent**
Andre et al.

(10) **Patent No.:** **US D655,721 S**
(45) **Date of Patent:** **** Mar. 13, 2012**

(54) **ELECTRONIC DEVICE**

(75) Inventors: **Bartley K. Andre**, Menlo Park, CA (US); **Daniel J. Coster**, San Francisco, CA (US); **Daniele De Iullis**, San Francisco, CA (US); **Richard P. Howarth**, San Francisco, CA (US); **Jonathan P. Ive**, San Francisco, CA (US); **Steve Jobs**, Palo Alto, CA (US); **Duncan Robert Kerr**, San Francisco, CA (US); **Shin Nishibori**, Portola Valley, CA (US); **Matthew Dean Rohrbach**, San Francisco, CA (US); **Peter Russell-Clarke**, San Francisco, CA (US); **Douglas B. Satzger**, Menlo Park, CA (US); **Calvin Q. Seid**, Palo Alto, CA (US); **Vincent Keane Seid**, legal representative, Los Gatos, CA (US); **Christopher J. Stringer**, Woodside, CA (US); **Eugene Antony Whang**, San Francisco, CA (US); **Rico Zorkendorfer**, San Francisco, CA (US)

(73) Assignee: **Apple Inc.**, Cupertino, CA (US)

(**) Term: **14 Years**

(21) Appl. No.: **29/390,474**

(22) Filed: **Apr. 25, 2011**

Related U.S. Application Data

(63) Continuation of application No. 29/350,746, filed on Nov. 23, 2009, now Pat. No. Des. 618,205, which is a continuation of application No. 29/341,322, filed on Aug. 4, 2009, now Pat. No. Des. 605,627, which is a continuation of application No. 29/284,190, filed on Aug. 31, 2007, now Pat. No. Des. 598,425, application No. 29/390,474, which is a continuation of application No. 29/352,295, filed on Dec. 18, 2009, now abandoned, which is a continuation of application No. 29/284,268, filed on Sep. 4, 2007, now Pat. No. Des. 606,964.

(51) **LOC (9) Cl.** **14-03**

(52) **U.S. Cl.** **D14/496; D14/203.3**

(58) **Field of Classification Search** D14/496, D14/401, 435, 474, 483, 217, 137, 138, 160, D14/168, 356, 203.1-203.8, 507; 345/156, 345/169, 173-179, 905; 715/727-729, 864; 710/1, 5, 8; 713/1, 600; 455/1.1, 1.7, 73, 455/344-347, 93, 95, 3.01-3.06, 550.1, 573.1; 370/342-344; 369/1, 2, 6-12; 463/43-47; 273/148 B

See application file for complete search history.

(56) **References Cited**

U.S. PATENT DOCUMENTS

D425,885 S 5/2000 Amron
(Continued)

FOREIGN PATENT DOCUMENTS

CN 3260632D 10/2002
(Continued)

OTHER PUBLICATIONS

“Microsoft Launches the Zune!”, Engadget.com (on line) (c) 2006, retrieved on Mar. 28, 2008, URL: <http://www.engadget.com/2006/09/14/microsoft-launches-the-zune/>, 7 pages.

(Continued)

Primary Examiner — Prabhakar Deshmukh

(74) *Attorney, Agent, or Firm* — Sterne, Kessler, Goldstein & Fox PLLC

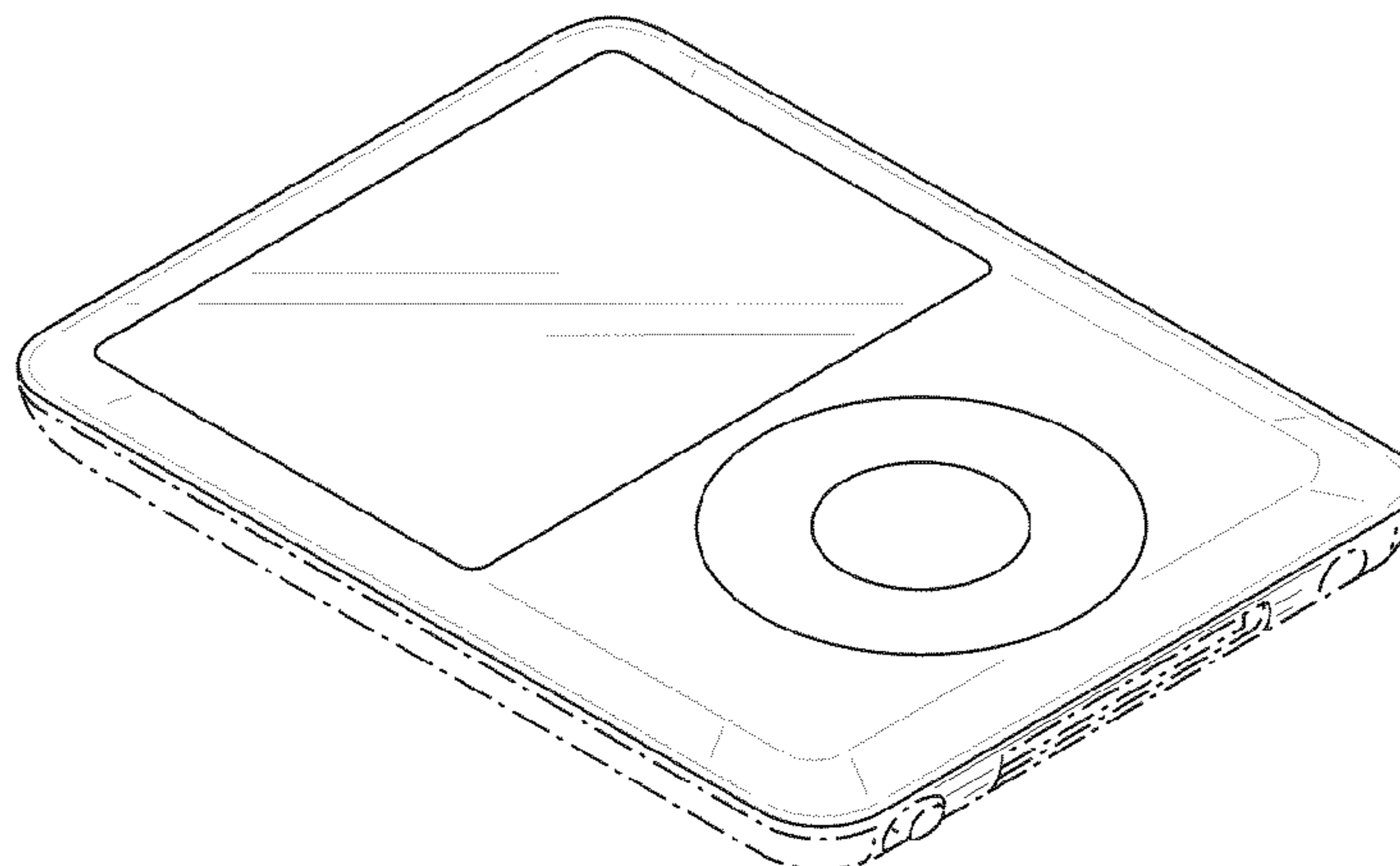
(57) **CLAIM**

The ornamental design for an electronic device, as shown and described.

DESCRIPTION

FIG. 1 is a front perspective view of an electronic device showing our new design; FIG. 2 is a rear perspective thereof; FIG. 3 is a front view thereof; FIG. 4 is a rear view thereof; FIG. 5 is a left side view thereof; FIG. 6 is right side view thereof; FIG. 7 is a top plan view thereof; FIG. 8 is a bottom plan view thereof; and, FIG. 9 is an enlarged elevational view of a representative corner of the electronic device. The broken lines show portions of the electronic device which form no part of the claimed design.

1 Claim, 5 Drawing Sheets



U.S. PATENT DOCUMENTS

D469,109	S	1/2003	Andre et al.	
D472,245	S	3/2003	Andre et al.	
6,591,085	B1	7/2003	Grady	
6,593,914	B1	7/2003	Nuovo et al.	
D489,052	S	4/2004	Shiraki et al.	
D494,188	S	8/2004	Huang	
6,781,523	B2	8/2004	Matsui et al.	
6,781,623	B1	8/2004	Thomas	
D497,618	S	10/2004	Andre et al.	
D506,476	S	6/2005	Andre et al.	
D507,277	S	7/2005	Sitoh	
D509,833	S	9/2005	Yang	
D513,512	S	1/2006	Tsai	
D514,121	S	1/2006	Johnson	
D515,099	S	2/2006	Lee	
D515,516	S	2/2006	Mayo et al.	
D516,576	S	3/2006	Ive et al.	
D516,579	S	3/2006	Nakamura	
D517,088	S	3/2006	Chong et al.	
D519,523	S	4/2006	Chiu et al.	
D520,020	S	5/2006	Senda et al.	
7,046,230	B2	5/2006	Zadesky et al.	
D527,015	S	8/2006	Yang	
D534,143	S	12/2006	Lheem	
D538,820	S	3/2007	Andre et al.	
D539,812	S	4/2007	Chuang	
D541,298	S	4/2007	Andre et al.	
D548,744	S	8/2007	Andre et al.	
D548,747	S	8/2007	Andre et al.	
D572,267	S	7/2008	Andre et al.	
D584,303	S	1/2009	Andre et al.	
D584,740	S	1/2009	Sheba et al.	
D584,742	S	1/2009	Sheba et al.	
D587,280	S	2/2009	Lee et al.	
D589,979	S	4/2009	Andre et al.	
D593,535	S	6/2009	Sheba et al.	
D597,556	S	8/2009	Andre et al.	
D606,964	S	12/2009	Andre et al.	
7,627,343	B2	12/2009	Fadell et al.	
D607,869	S	1/2010	Andre et al.	
D607,873	S	1/2010	Lee	
D608,763	S	1/2010	Andre et al.	
D614,161	S	4/2010	Andre et al.	
D614,162	S	4/2010	Andre et al.	
D615,554	S	5/2010	Andre et al.	
D620,473	S	7/2010	Lee	
D622,261	S	* 8/2010	Andre et al.	D14/203.7
D629,387	S	* 12/2010	Lee	D14/203.7
D631,865	S	* 2/2011	Lee	D14/203.7
D633,469	S	* 3/2011	Lee	D14/203.7
D633,470	S	* 3/2011	Andre et al.	D14/203.7

FOREIGN PATENT DOCUMENTS

CN	3260633D	10/2002
CN	3286007D	4/2003
CN	3287344D	4/2003
CN	3331371D	10/2003
CN	3339759D	12/2003
CN	3375890D	6/2004
CN	3380859D	7/2004
CN	3389184D	9/2004
CN	3453893D	6/2005
CN	3453894D	6/2005
CN	3468582D	8/2005
CN	3468598D	8/2005
CN	3480659D	10/2005
CN	3484184D	11/2005
CN	3490573D	12/2005
CN	3490574D	12/2005
CN	3509995D	3/2006
CN	3513646D	3/2006
CN	3518964D	4/2006
CN	3518979D	4/2006
CN	3534319D	6/2006

CN	3541511D	7/2006
CN	3543434D	7/2006
CN	3543442D	7/2006
CN	3543458D	7/2006
CN	3545312D	7/2006
CN	3545341D	7/2006
CN	3549064D	8/2006
CN	3562517D	9/2006
CN	3562544D	9/2006
CN	3571069D	10/2006
CN	3575463D	11/2006
CN	3575474D	11/2006
CN	3579941D	11/2006
CN	3588710D	12/2006
CN	3590936D	12/2006
CN	3593120D	12/2006
CN	3595475D	1/2007
CN	3597854D	1/2007
CN	3615593D	2/2007
CN	3615600D	2/2007
CN	3615602D	2/2007
CN	3615603D	2/2007
CN	3621245D	3/2007
CN	3634314D	4/2007
CN	3646242D	5/2007
CN	3660093D	6/2007
CN	3665655D	7/2007
CN	200730131203.5	1/2008
JP	30-0452305	6/2007
JP	D1312270	10/2007
JP	D1313431	10/2007
JP	D1313439	10/2007

OTHER PUBLICATIONS

Apple iPod U2 Special Edition (20GB), Selectmore.com (on line) (c) 1998, retrieved on Aug. 25, 2007, URL:<http://www.selectmore.com/Detail.aspx?pid=300501>, 5 pages.

Griffin iClear Hard-Shell Case for 80/120/160 GB iPod classic 6G (clear), first available date Jun. 17, 2003. http://www.amazon.com/Griffin-iClear-Hard-Shell-classic-Clear/dp/B00OVXW09Q/ref=pd_sim_a_6, retrieved from internet on Jul. 9, 2010.

http://www.amazon.com/Belkin-Silicone-Sleeve-classic-Black/dp/B00OOW1VAE/ref=pd_bxgy_e_img_a. Retrieved from internet on Jul. 28, 2010. Date first available at Amazon.com: Oct. 2, 2001.

http://www.google.com/imgres?imgurl=http://ecx.imagesuamazon.com/images/1/41_vwCRi_NY_OL_AA300_j_pg&i_img_refu_rl=http://www.amazon.com/Ciass_ic-S_i_I_ico_ne-Exe_rcise-Armba_nd-Protector/dp/8001_N4ZNCC&usg=ylaNVQE4NPidXiT2W-68KSqNkM8=&h=300&w=300&sz=1_O&hl=en&start=5&tbnid=UqwImq35FAPizM:&tbnh=116&tbnw=116&prev=/images%3Fq%3

http://www.google.com/imgres?imgurl=http://ecx.imageswamazon.com/i_images/1/41_E06491Zkl_SL500_AA300.jpg&imgrefu_rl=http://www.amazon.com/Classic-Player-Transparent-lexibleSilicone/dp/B00OT336MC&usg=DPGRwA_T6d8zOJ_mN3Rxtl_hX6AE=&h=300&w=300&sz=1_O&hl=en&start=14&tbnid=CpOc9RGwQzdf7M:&tbnh=116&tbnw=116&prev=/images%3Fq%3Damazon.com/classic%2BiPod%26.

U.S. Appl. No. 29/281,763, Andre et al., Electronic Device, filed Jun. 29, 2007.

U.S. Appl. No. 29/286,504, Andre et al., Media Device, filed May 8, 2007.

U.S. Appl. No. 29/332,388, Andre et al., Media Device, filed Feb. 13, 2009.

U.S. Appl. No. 29/352,295, Andre et al., Electronic Device, filed Dec. 18, 2009.

Axelrud, P., "Zune, finalmente Oficial," (<http://pedroaxl.com/wordpress/2006/09/15/zune-finalmente-oficial/>), published Sep. 15, 2006, 2 pages.

* cited by examiner

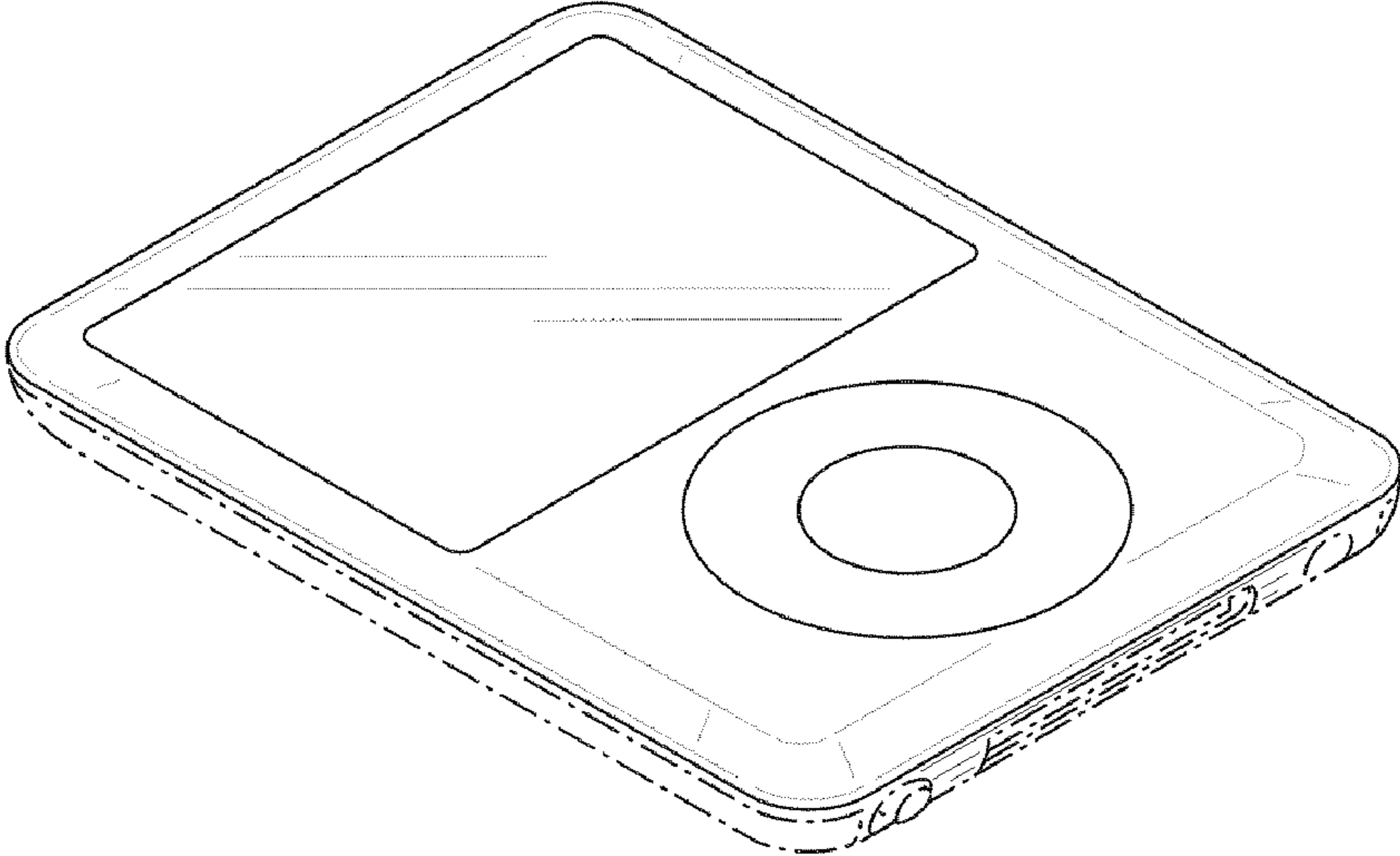


FIG. 1

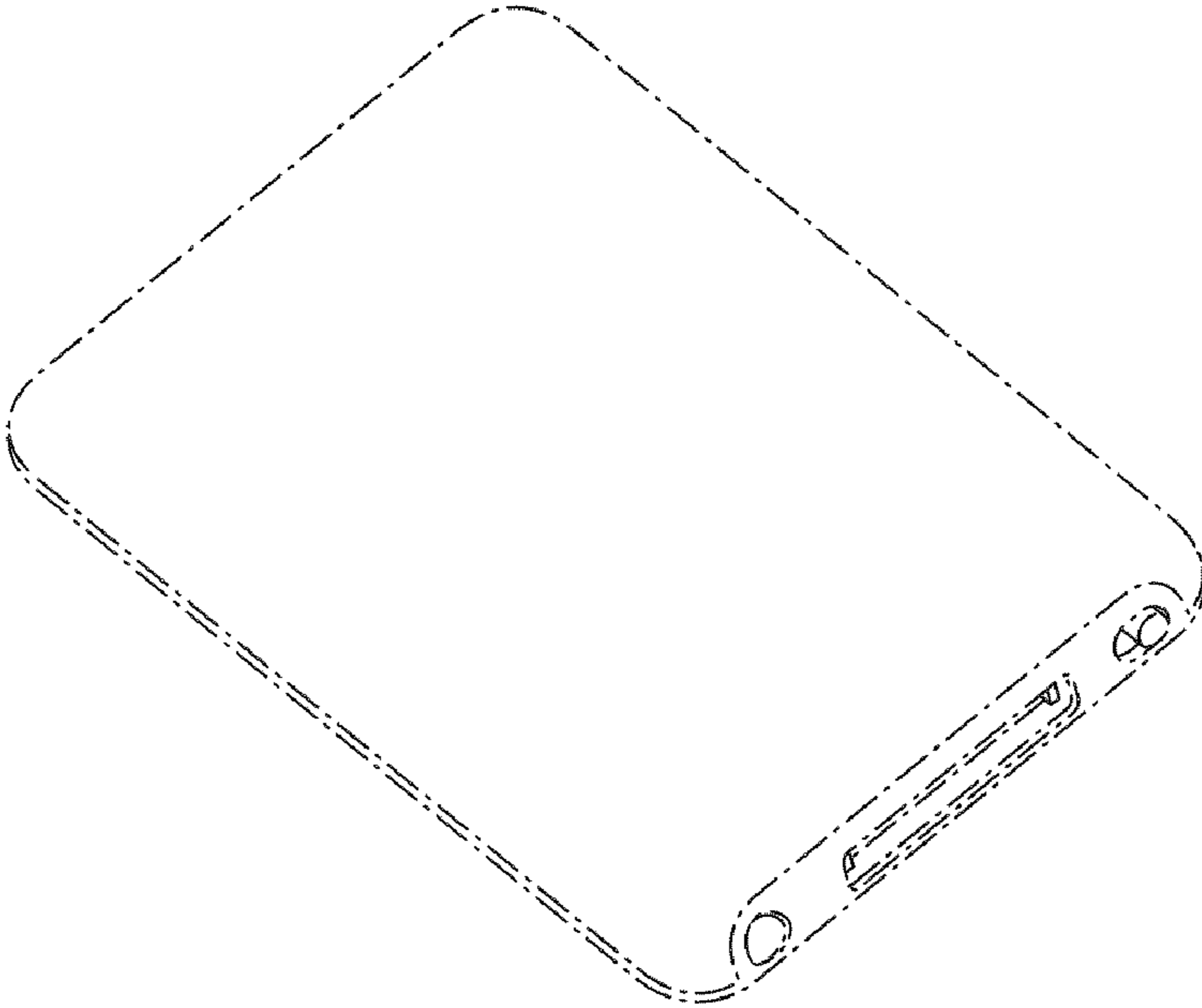


FIG. 2

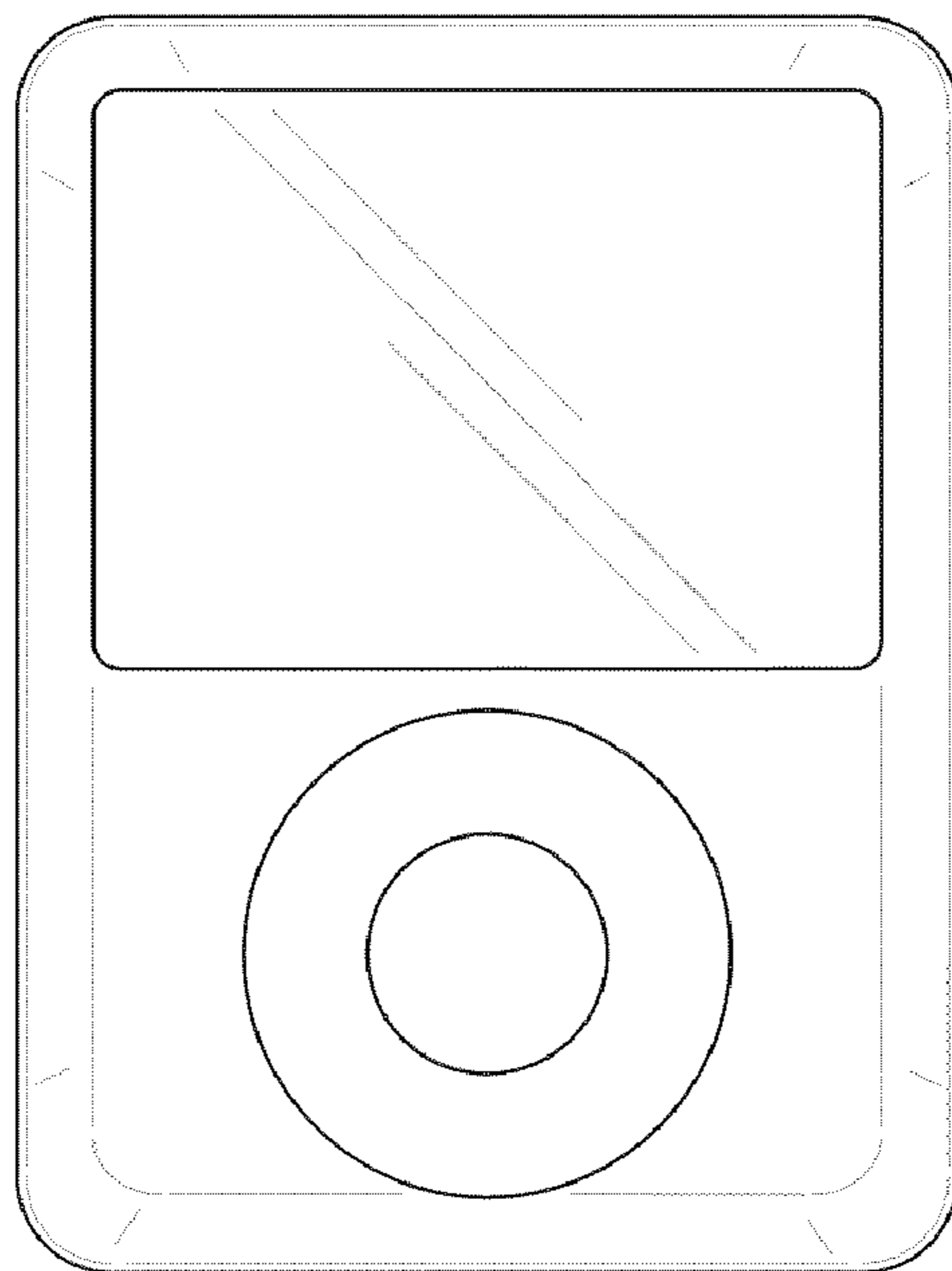


FIG. 3



FIG. 4

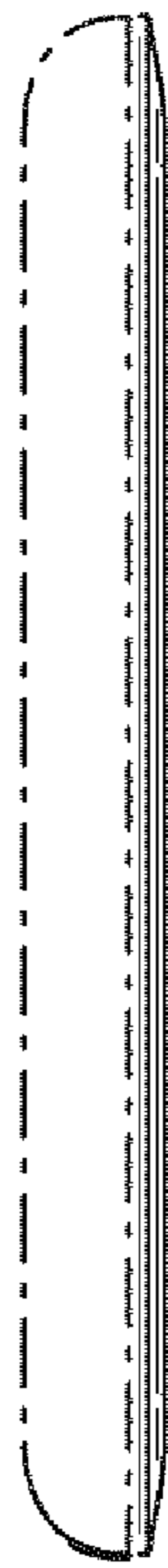


FIG. 5



FIG. 6

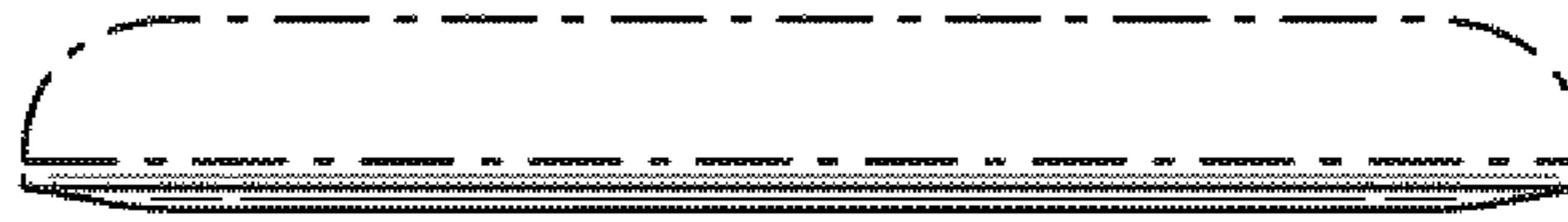


FIG. 7

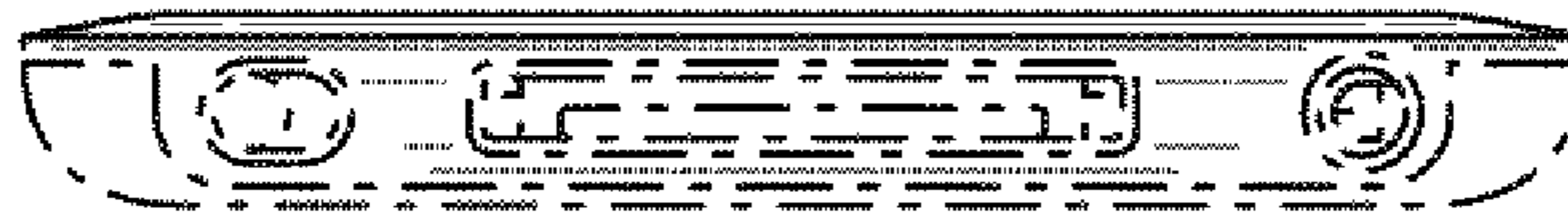


FIG. 8

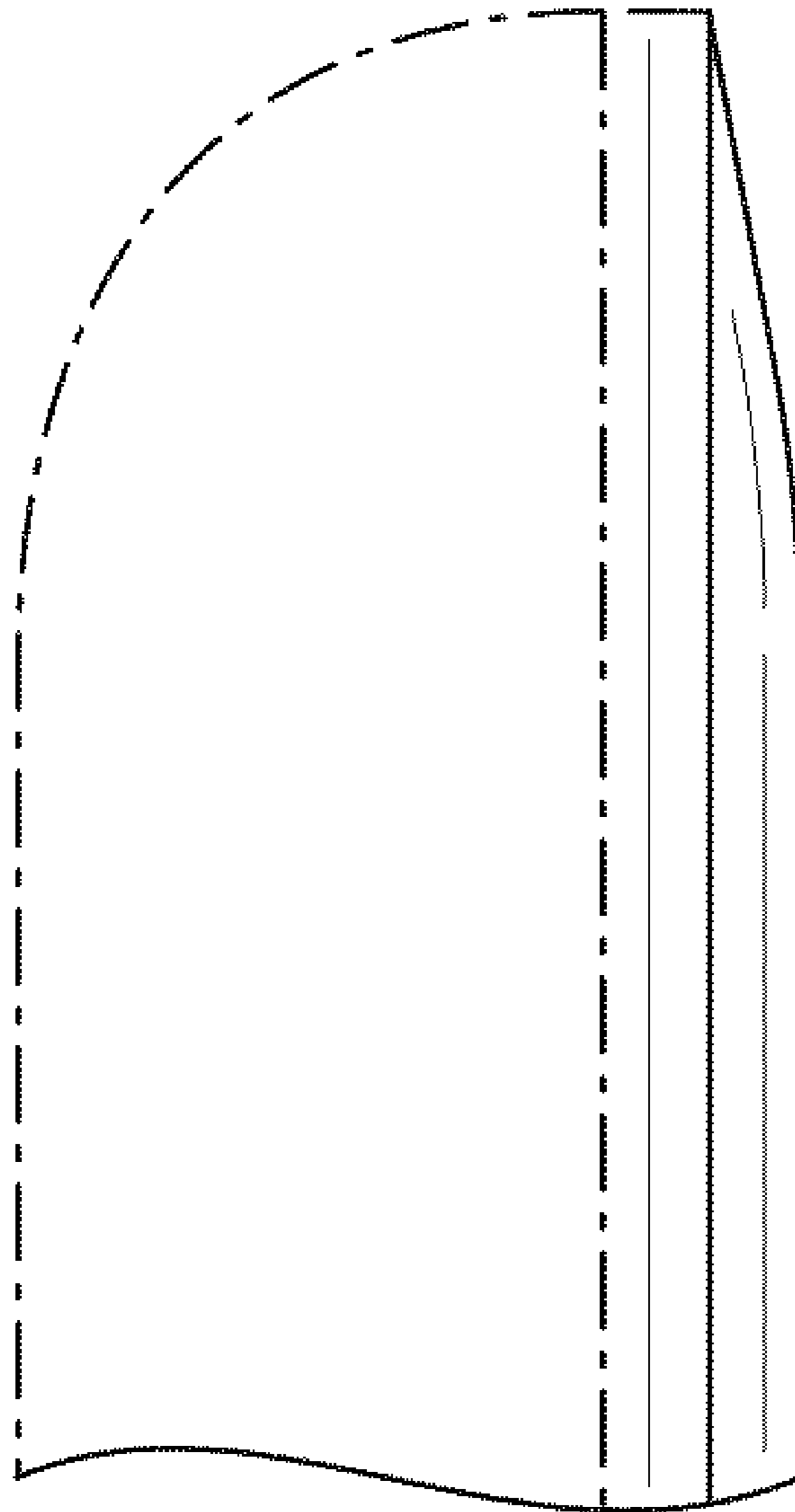


FIG. 9