



US00D655720S

(12) **United States Design Patent**
Andre et al.

(10) **Patent No.:** **US D655,720 S**
(45) **Date of Patent:** **** Mar. 13, 2012**

(54) **ELECTRONIC DEVICE**

(75) Inventors: **Bartley K. Andre**, Menlo Park, CA (US); **Daniel J. Coster**, San Francisco, CA (US); **Daniele De Iullis**, San Francisco, CA (US); **Richard P. Howarth**, San Francisco, CA (US); **Jonathan P. Ive**, San Francisco, CA (US); **Steve Jobs**, Palo Alto, CA (US); **Duncan Robert Kerr**, San Francisco, CA (US); **Shin Nishibori**, Portola Valley, CA (US); **Matthew Dean Rohrbach**, San Francisco, CA (US); **Peter Russell-Clarke**, San Francisco, CA (US); **Douglas B. Satzger**, Menlo Park, CA (US); **Calvin Q. Seid**, Palo Alto, CA (US); **Vincent Keane Seid**, legal representative, Los Gatos, CA (US); **Christopher J. Stringer**, Woodside, CA (US); **Eugene Antony Whang**, San Francisco, CA (US); **Rico Zorkendorfer**, San Francisco, CA (US)

(73) Assignee: **Apple Inc.**, Cupertino, CA (US)

(**) Term: **14 Years**

(21) Appl. No.: **29/390,473**

(22) Filed: **Apr. 25, 2011**

Related U.S. Application Data

(63) Continuation of application No. 29/361,162, filed on May 6, 2010, which is a continuation of application No. 29/351,840, filed on Dec. 11, 2009, now Pat. No. Des. 616,864, which is a continuation of application No. 29/341,273, filed on Aug. 3, 2009, now Pat. No. Des. 606,968, which is a continuation of application No. 29/284,189, filed on Aug. 31, 2007, now Pat. No. Des. 598,424, application No. 29/390,473, which is a continuation of application No. 29/352,293, filed on Dec. 18, 2009, now abandoned, which is a continuation of application No. 29/284,270, filed on Sep. 4, 2007, now Pat. No. Des. 606,965.

(51) **LOC (9) Cl.** **14-03**

(52) **U.S. Cl.** **D14/496; D14/203.3**

(58) **Field of Classification Search** D14/496, D14/401, 435, 474, 483, 217, 137, 138, 160, D14/168, 356, 203.1-203.8, 507; 345/156, 345/169, 173-179, 905; 715/727-729, 864; 710/1, 5, 8; 713/1, 600; 455/1.1, 1.7, 73, 455/344-347, 93, 95, 3.01-3.06, 550.1, 573.1; 370/342-344; 369/1, 2, 6-12; 463/43-47; 273/148 B

See application file for complete search history.

(56) **References Cited**

U.S. PATENT DOCUMENTS

5,661,652 A 8/1997 Sprague et al.
(Continued)

FOREIGN PATENT DOCUMENTS

CN 3260632D 10/2002
(Continued)

OTHER PUBLICATIONS

“Microsoft Launches the Zune!”, Engadget.com (on line) (c) 2006, retrieved on Mar. 28, 2008, URL: <http://www.engadget.com/2006/09/14/microsoft-launches-the-zune/>, 7 pages.

(Continued)

Primary Examiner — Prabhakar Deshmukh

(74) *Attorney, Agent, or Firm* — Sterne, Kessler, Goldstein & Fox PLLC

(57) **CLAIM**

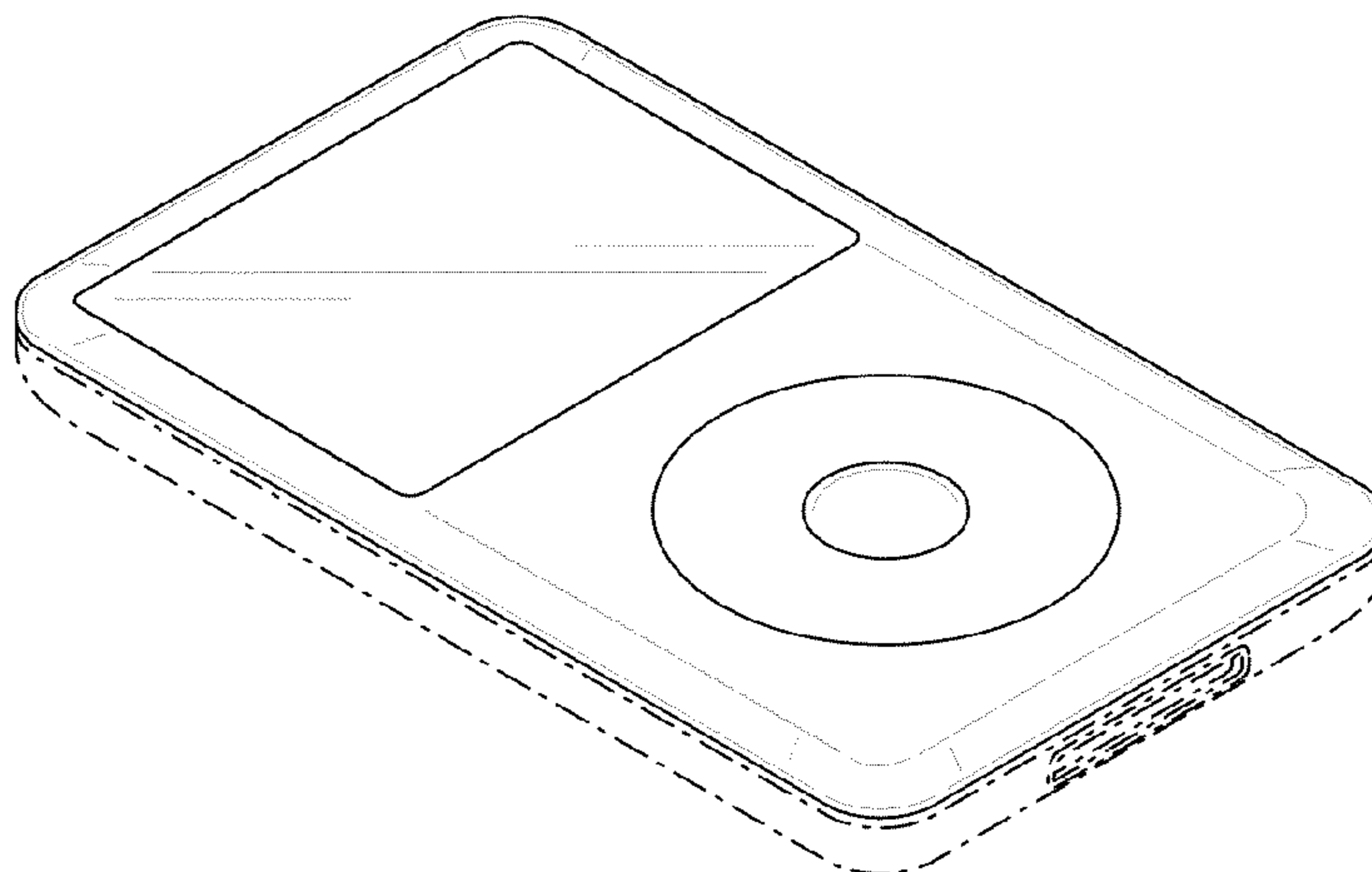
The ornamental design for an electronic device, as shown and described.

DESCRIPTION

FIG. 1 is a front perspective view of an electronic device showing our new design;
FIG. 2 is a rear perspective thereof;
FIG. 3 is a front view thereof;
FIG. 4 is a rear view thereof;
FIG. 5 is a left side view thereof;
FIG. 6 is right side view thereof;
FIG. 7 is a top plan view thereof;
FIG. 8 is a bottom plan view thereof; and,
FIG. 9 is an enlarged elevational view of a representative corner of the electronic device.

The broken lines show portions of the electronic device which form no part of the claimed design.

1 Claim, 6 Drawing Sheets



US D655,720 S

U.S. PATENT DOCUMENTS

D425,885	S	5/2000	Amron	
D469,109	S	1/2003	Andre et al.	
D472,245	S	3/2003	Andre et al.	
6,591,085	B1	7/2003	Grady	
6,593,914	B1	7/2003	Nuovo et al.	
D489,052	S	4/2004	Shiraki et al.	
D494,188	S	8/2004	Huang	
6,781,523	B2	8/2004	Matsui et al.	
D497,618	S	10/2004	Andre et al.	
D506,476	S	6/2005	Andre et al.	
D507,277	S	7/2005	Sitoh	
D509,833	S	9/2005	Yang	
6,977,675	B2	12/2005	Kotzin	
D513,512	S	1/2006	Tsai	
D514,121	S	1/2006	Johnson	
D515,099	S	2/2006	Lee	
D515,516	S	2/2006	Mayo et al.	
D516,576	S	3/2006	Ive et al.	
D516,579	S	3/2006	Nakamura	
D517,088	S	3/2006	Chong et al.	
D519,523	S	4/2006	Chiu et al.	
D520,020	S	5/2006	Senda et al.	
7,046,230	B2	5/2006	Zadesky et al.	
D527,015	S	8/2006	Yang	
D538,820	S	3/2007	Andre et al.	
D538,822	S	3/2007	Andre et al.	
D539,811	S	4/2007	Lee	
D539,812	S	4/2007	Chuang	
D541,298	S	4/2007	Andre et al.	
D548,744	S	8/2007	Andre et al.	
D548,747	S	8/2007	Andre et al.	
D572,267	S	7/2008	Andre et al.	
D584,303	S	1/2009	Andre et al.	
D584,740	S	1/2009	Sheba et al.	
D584,742	S	1/2009	Sheba et al.	
D587,280	S	2/2009	Lee et al.	
D589,979	S	4/2009	Andre et al.	
D593,535	S	6/2009	Sheba et al.	
D593,536	S	6/2009	Andre et al.	
D597,521	S	8/2009	Andre et al.	
D606,965	S	12/2009	Andre et al.	
D606,966	S	12/2009	Andre et al.	
D606,967	S	12/2009	Andre et al.	
D607,873	S	1/2010	Lee	
D614,163	S	4/2010	Andre et al.	
D614,164	S	4/2010	Andre et al.	
D614,165	S	4/2010	Andre et al.	
D620,473	S	7/2010	Lee	
D622,261	S	* 8/2010	Andre et al.	D14/203.7
D629,387	S	* 12/2010	Lee	D14/203.7
D631,865	S	* 2/2011	Lee	D14/203.7
D633,469	S	* 3/2011	Lee	D14/203.7
D633,470	S	* 3/2011	Andre et al.	D14/203.7
2004/0224638	A1	11/2004	Fadell et al.	

FOREIGN PATENT DOCUMENTS

CN	3260633D	10/2002
CN	3286007D	4/2003
CN	3287344D	4/2003
CN	3331371D	10/2003
CN	3339759D	12/2003
CN	3375890D	6/2004
CN	3380859D	7/2004
CN	3389184D	9/2004
CN	3453893D	6/2005
CN	3453894D	6/2005
CN	3468582D	8/2005
CN	3468598D	8/2005
CN	3480659D	10/2005
CN	3571069D	10/2005
CN	3484184D	11/2005
CN	3490573D	12/2005
CN	3490574D	12/2005
CN	3509995D	3/2006

CN	3513646D	3/2006
CN	3518964D	4/2006
CN	3518979D	4/2006
CN	3534319D	6/2006
CN	3541511D	7/2006
CN	3543434D	7/2006
CN	3543442D	7/2006
CN	3543458D	7/2006
CN	3545312D	7/2006
CN	3545341D	7/2006
CN	3549064D	8/2006
CN	3562517D	9/2006
CN	3562544D	9/2006
CN	3575463D	11/2006
CN	3575474D	11/2006
CN	3579941D	11/2006
CN	3588710D	12/2006
CN	3590936D	12/2006
CN	3593120D	12/2006
CN	3595475D	1/2007
CN	3597854D	1/2007
CN	3615593D	2/2007
CN	3615600D	2/2007
CN	3615602D	2/2007
CN	3615603D	2/2007
CN	3621245D	3/2007
CN	3634314D	4/2007
CN	3646242D	5/2007
CN	3660093D	6/2007
CN	3665655D	7/2007
CN	200730131203.5	1/2008
JP	30-0452305	6/2007
JP	D1312270	10/2007
JP	D1313431	10/2007
JP	D1313439	10/2007

OTHER PUBLICATIONS

Apple iPod U2 Special Edition (20GB), Selectmore.com (on line) (c) 1998, retrieved on Aug. 25, 2007, URL:<http://www.selectmore.com/Detail.aspx?pid=300501>, 5 pages.

Griffin iClear Hard-Shell Case for 80/120/160 GB iPod classic 6G (Clear), URL:<http://www.amazon.com/Griffin-iClear-Hard-Shell-classic-Clear/dp/B000VXWO9Q>, retrieved from internet on Jul. 9, 2010. Date first available at Amazon.com: Jun. 17, 2003.

Belkin Silicone Sleeve Case for 80/120 GB iPod classic 6G (Black), URL:<http://www.amazon.com/Belkin-Silicone-Case-classic-Black/dp/B000WWVVAE> retrieved from internet on Jul. 28, 2010. Date first available at Amazon.com : Oct. 2, 2001.

http://www.google.com/imgres?imgurl=http://ecx.images-amazon.com/images/I/41vwCRiNYOL._AA300_.jpg&imgrefurl=http://www.amazon.com/Classic-Silicone-Exercise-Armband-Protector/dp/B001N4ZNHC&usg=vl1aNVQE4NPidXiT2W-68KSqNkM8=&h=300&w=300&sz=10&hl=en&start=5&tbid=Uqwlmq35FAPizM:&tbnh=116&tbnw=116&prev=/images%3Fg%3

http://www.google.com/imgres?imgurl=http://ecx.images-amazon.com/images/I/41E0649IZkL._SL500_.AA300_.jpg&imgrefurl=http://www.amazon.com/Classic-Player-Transparent-flexible-Silicone/dp/B000T336MC&usg=__DPGRwAT6d8zS0JmN3sRxtIhX6AE=&h=300&w=300&sz=10&hl=en&start=14&tbn_id=CpOc9RGwQzdF7M:&tbnh=116&tbnw=116&prev=/images%3Fq%3Damazon.com/classic%2BiPod%26

U.S. Appl. No. 29/281,763, Andre et al., Electronic Device, filed on Jun. 29, 2007.

U.S. Appl. No. 29/286,504, Andre et al., Media Device, fled on May 8, 2007.

U.S. Appl. No. 29/332,388, Andre et al., Media Device, filed Feb. 13, 2009.

3G.co.uk, "Samsung Launches Mini MP3 Phone," (<http://www.3g.co.uk/PR/Nov2006/3865.htm>), published Nov. 3, 2006, 3 pages.

* cited by examiner

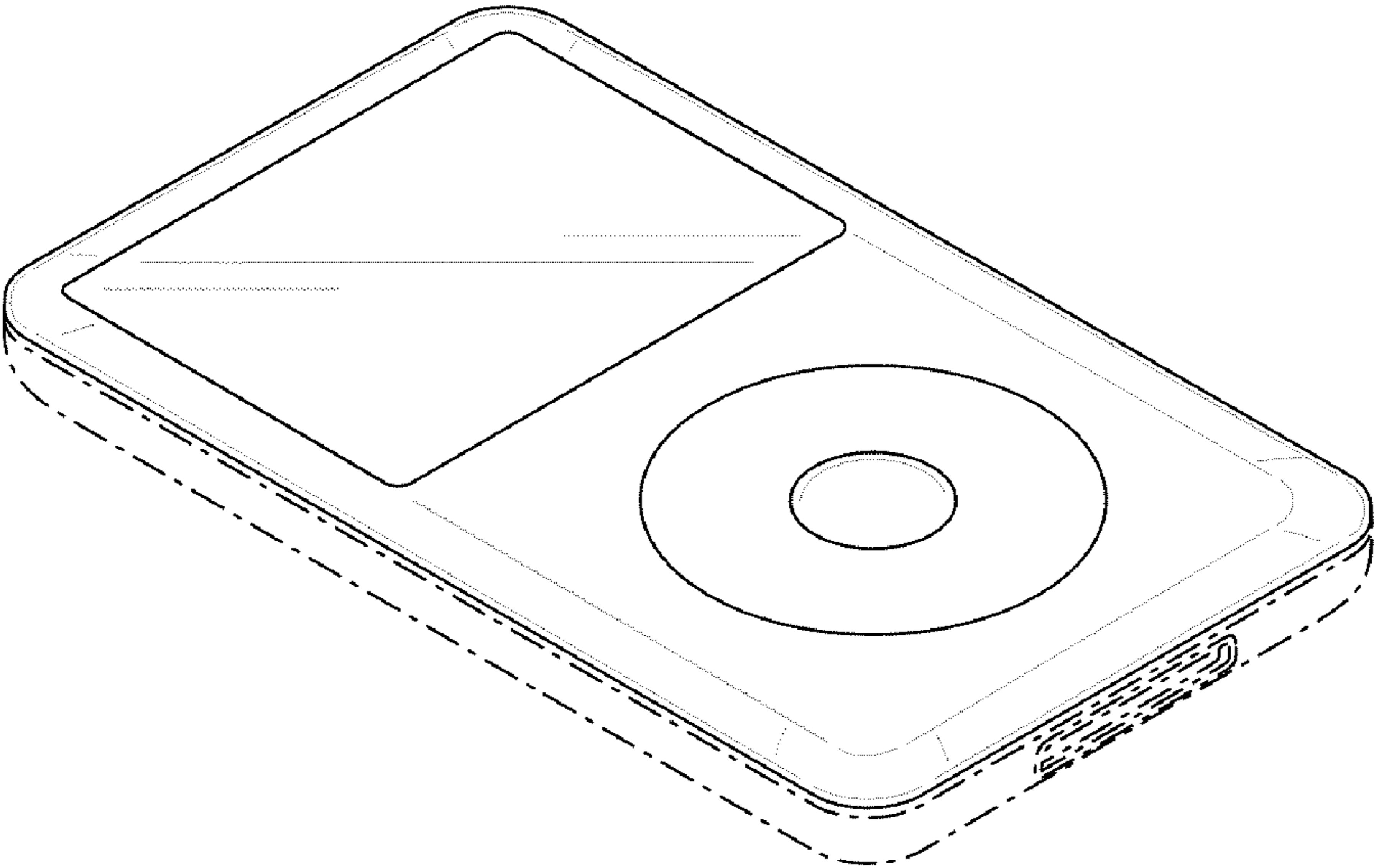


FIG. 1

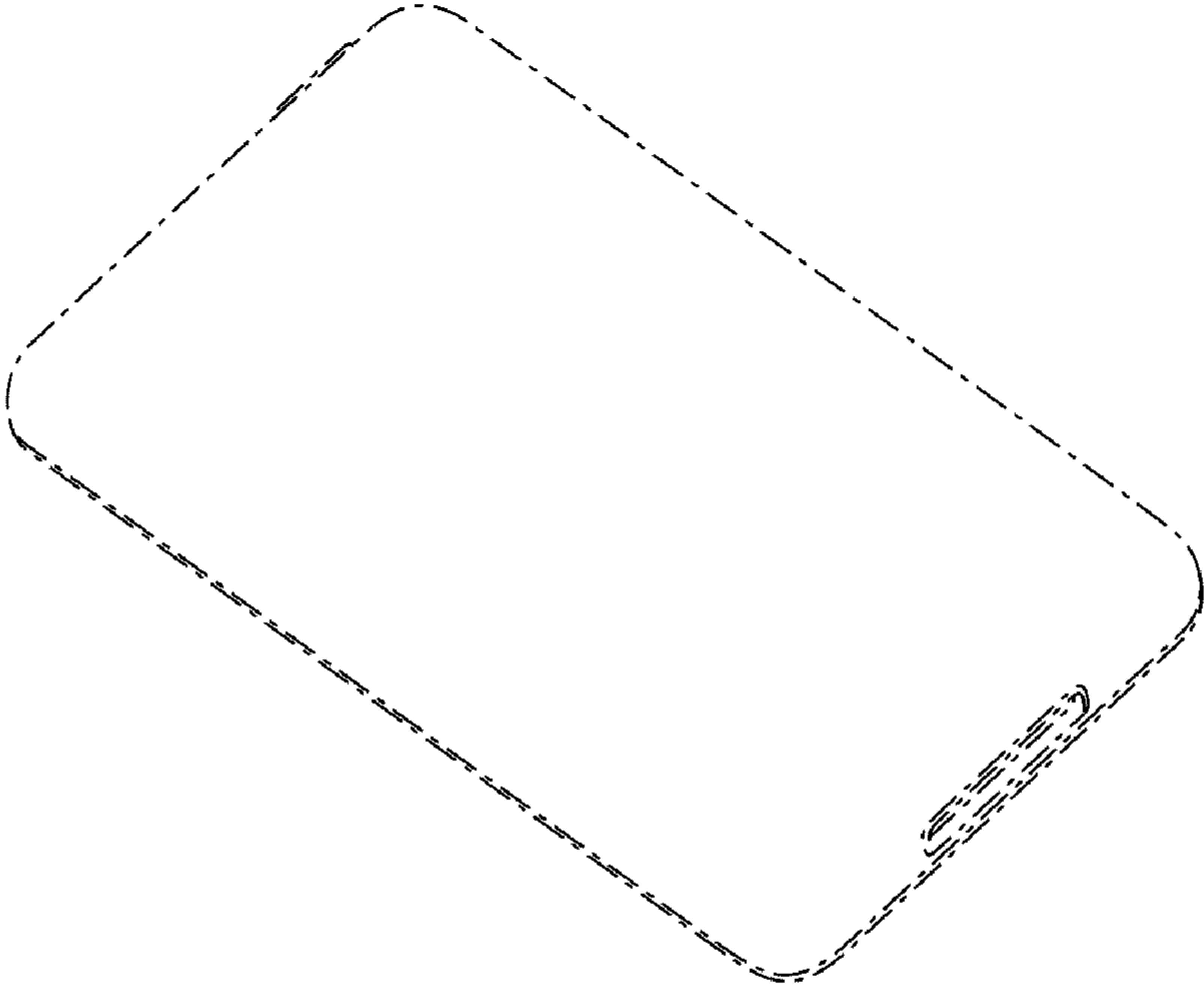


FIG. 2

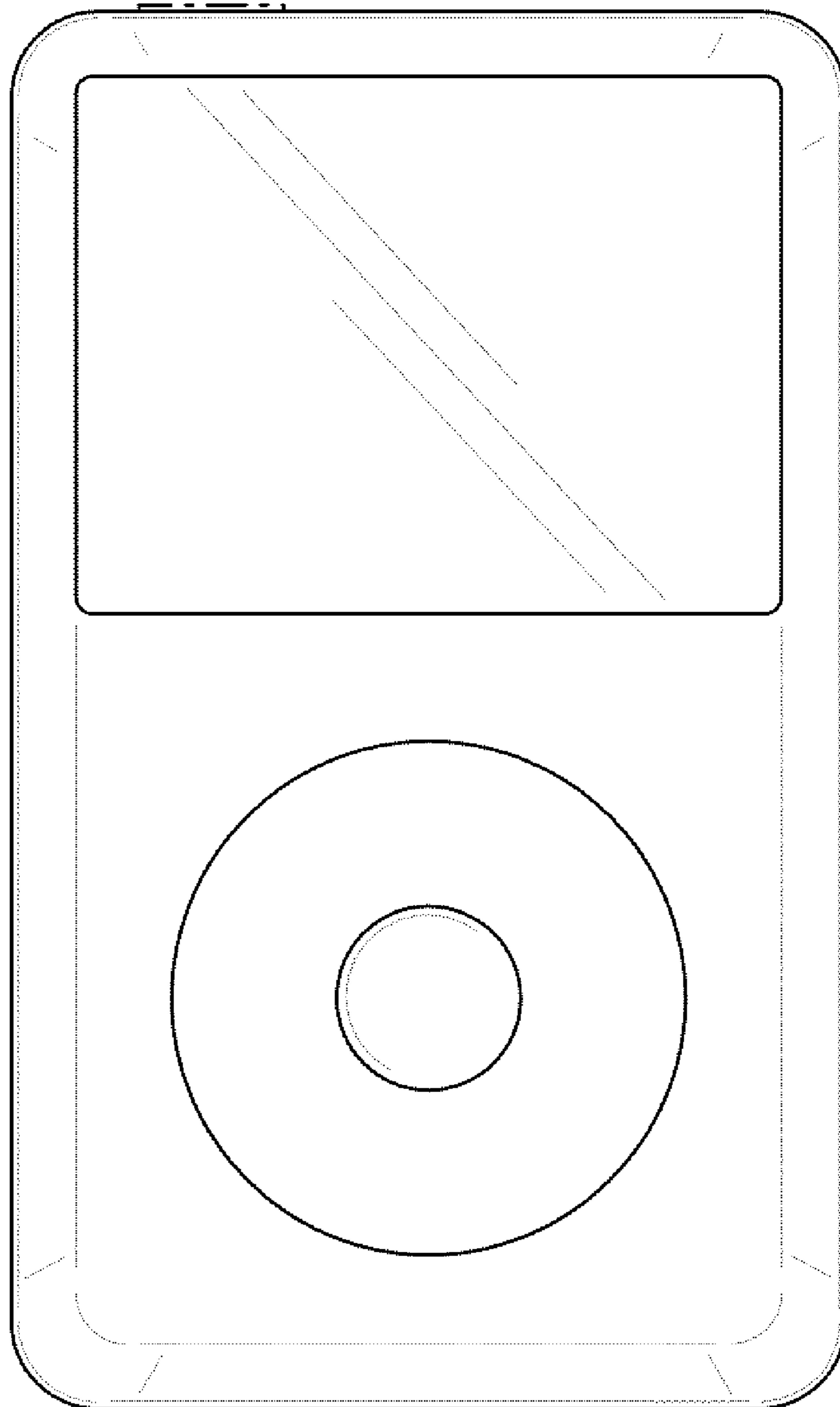


FIG. 3

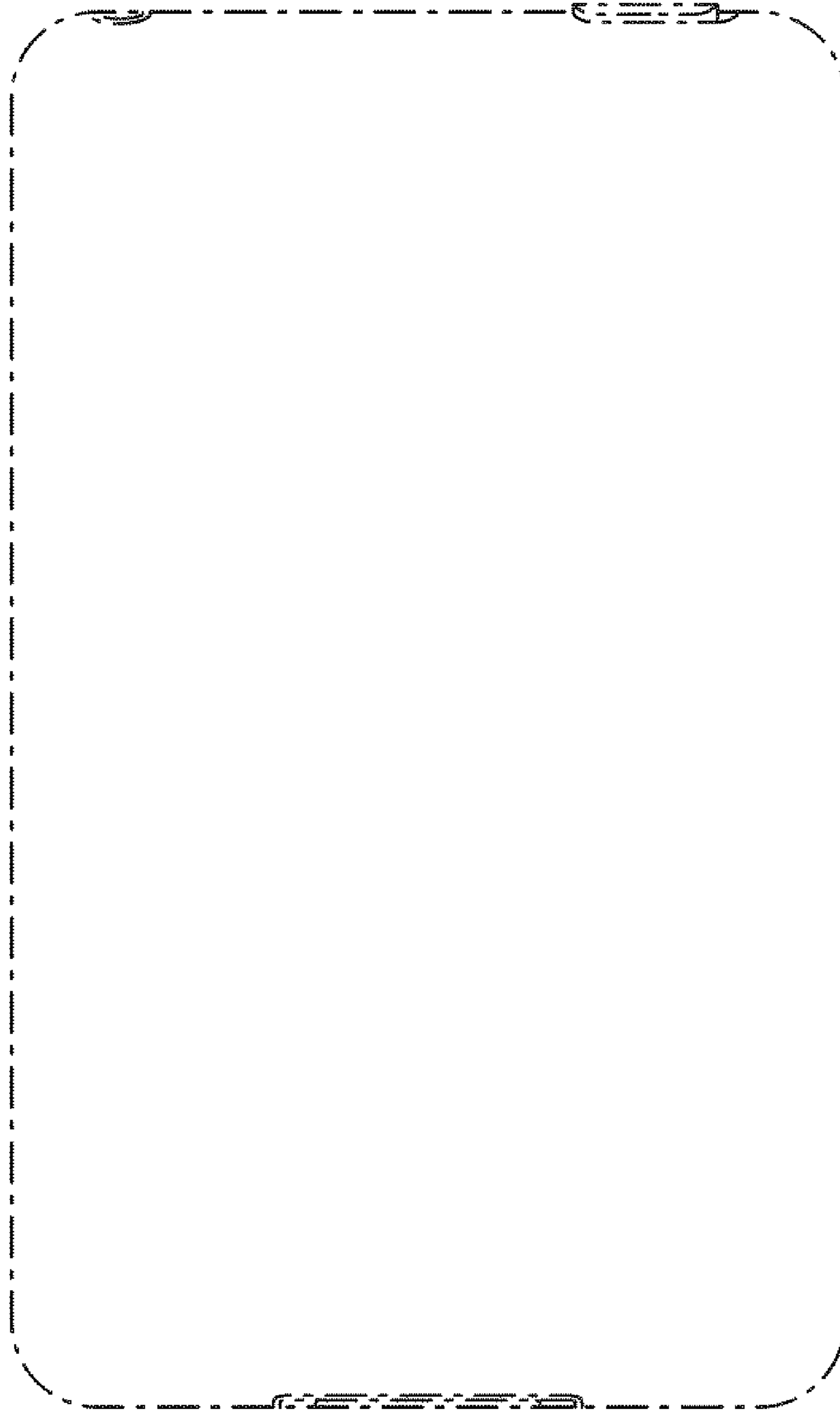


FIG. 4

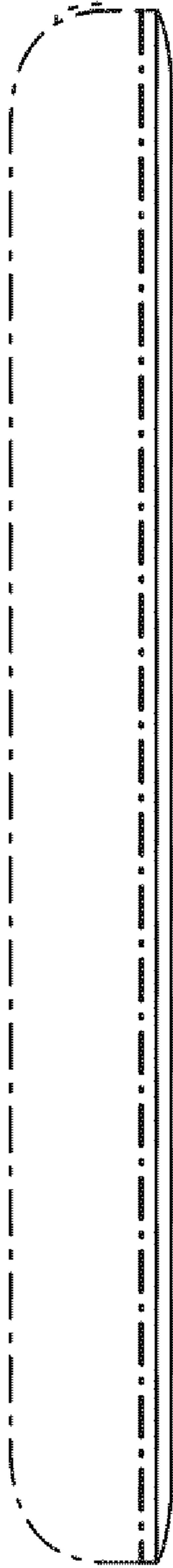


FIG. 5

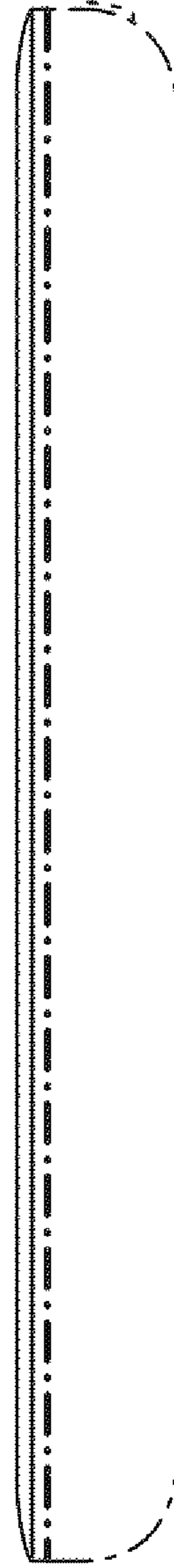


FIG. 6



FIG. 7



FIG. 8

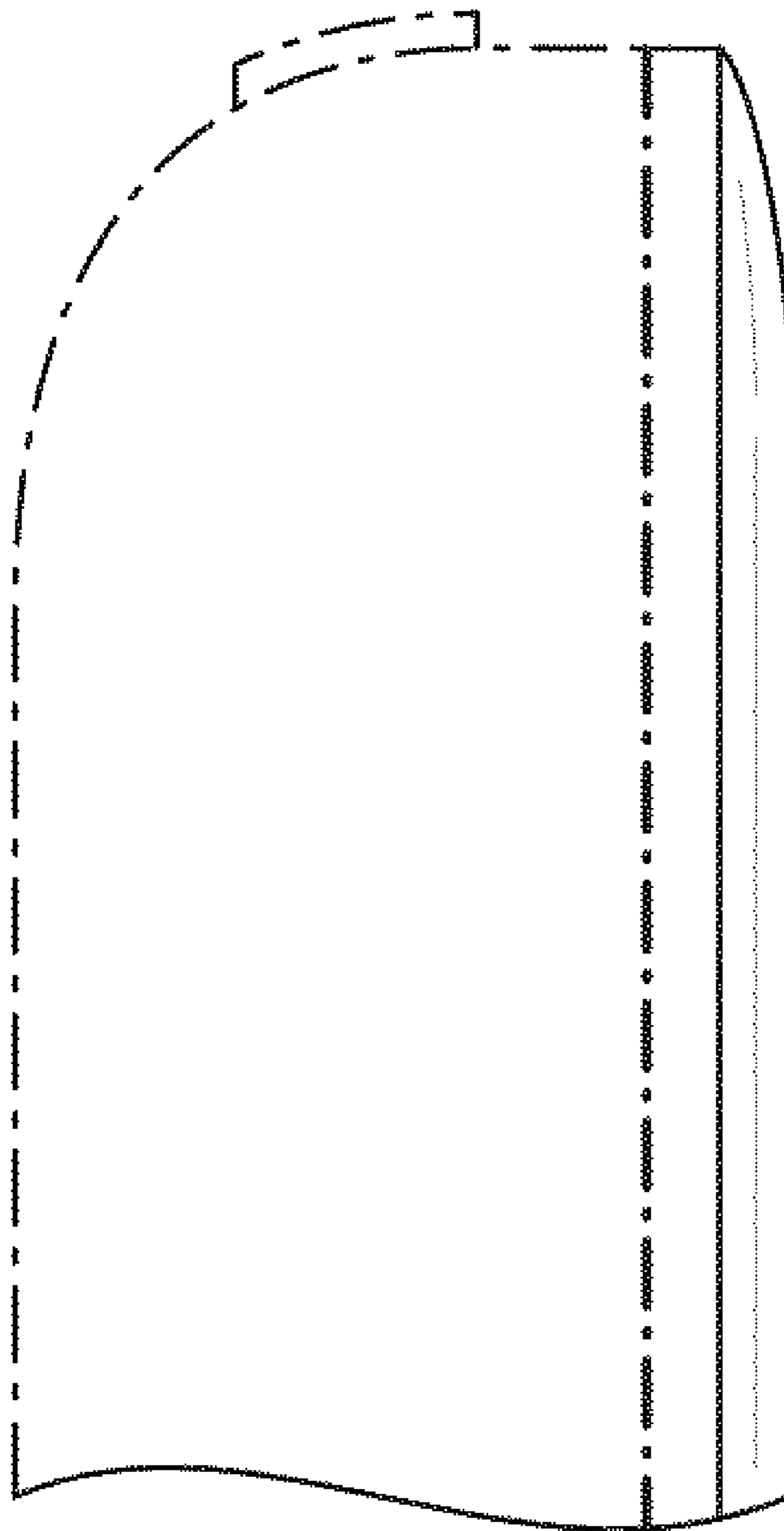


FIG. 9