



US00D655719S

(12) **United States Design Patent**  
**Zaman et al.**

(10) **Patent No.:** **US D655,719 S**  
(45) **Date of Patent:** **\*\* Mar. 13, 2012**

(54) **DISPLAY SCREEN WITH ANIMATED USER INTERFACE**

(75) Inventors: **Nazia Zaman**, Kirkland, WA (US);  
**Ethan Nelson Ray**, Lynnwood, WA (US); **Jonathan Eric Gleasman**, Seattle, WA (US); **Samuel Moreau**, Bellevue, WA (US); **Denise Michele Trabona**, Seattle, WA (US)

(73) Assignee: **Microsoft Corporation**, Redmond, WA (US)

(\*\*) Term: **14 Years**

(21) Appl. No.: **29/393,041**

(22) Filed: **May 27, 2011**

(51) **LOC (9) Cl.** ..... **14-04**

(52) **U.S. Cl.** ..... **D14/486**

(58) **Field of Classification Search** ..... D14/485-495;  
715/700, 703, 704, 716, 718, 719, 720, 723,  
715/727, 728, 730, 762, 763, 771, 772, 773,  
715/779, 780, 792, 825, 828, 831, 840, 861,  
715/864, 867, 972, 977, 978

See application file for complete search history.

(56) **References Cited**

**U.S. PATENT DOCUMENTS**

D468,748 S *	1/2003	Inagaki	.....	D14/486
D513,511 S *	1/2006	Decombe	.....	D14/486
D580,450 S	11/2008	Chen et al.		
D580,946 S	11/2008	Chen et al.		
D582,425 S	12/2008	Edwards et al.		
D582,937 S	12/2008	Chen et al.		
D582,938 S	12/2008	Chen et al.		
D583,387 S	12/2008	Chen et al.		
D583,823 S	12/2008	Chen et al.		
D586,820 S	2/2009	Makoski et al.		

7,523,414 B2 *	4/2009	Schmidt et al.	.....	715/798
7,552,387 B2 *	6/2009	Shen et al.	.....	715/716
D598,026 S	8/2009	Makoski et al.		
D599,812 S *	9/2009	Hirsch	.....	D14/488
D599,813 S *	9/2009	Hirsch	.....	D14/488
D614,639 S	4/2010	Viegers et al.		
D614,640 S	4/2010	Viegers et al.		
D614,641 S	4/2010	Viegers et al.		
D614,643 S	4/2010	Viegers et al.		
D614,646 S	4/2010	Chen et al.		
D619,146 S *	7/2010	Flik et al.	.....	D14/493
D636,785 S	4/2011	Brinda		
D637,605 S *	5/2011	Brinda	.....	D14/488
D640,274 S *	6/2011	Arnold	.....	D14/487
D640,284 S *	6/2011	Woo et al.	.....	D14/487
D645,876 S *	9/2011	Cavanaugh et al.	.....	D14/488
D648,344 S *	11/2011	Arnold	.....	D14/486
D648,345 S *	11/2011	Arnold et al.	.....	D14/486

\* cited by examiner

*Primary Examiner* — Angela J Lee

(74) *Attorney, Agent, or Firm* — Banner & Witcoff, Ltd.

(57) **CLAIM**

The ornamental design for a display screen with animated user interface, as shown and described.

**DESCRIPTION**

FIG. 1 is the first image in a sequence for a display screen with animated user interface showing our new design;

FIG. 2 is the second image thereof;

FIG. 3 is the third image thereof;

FIG. 4 is the fourth image thereof;

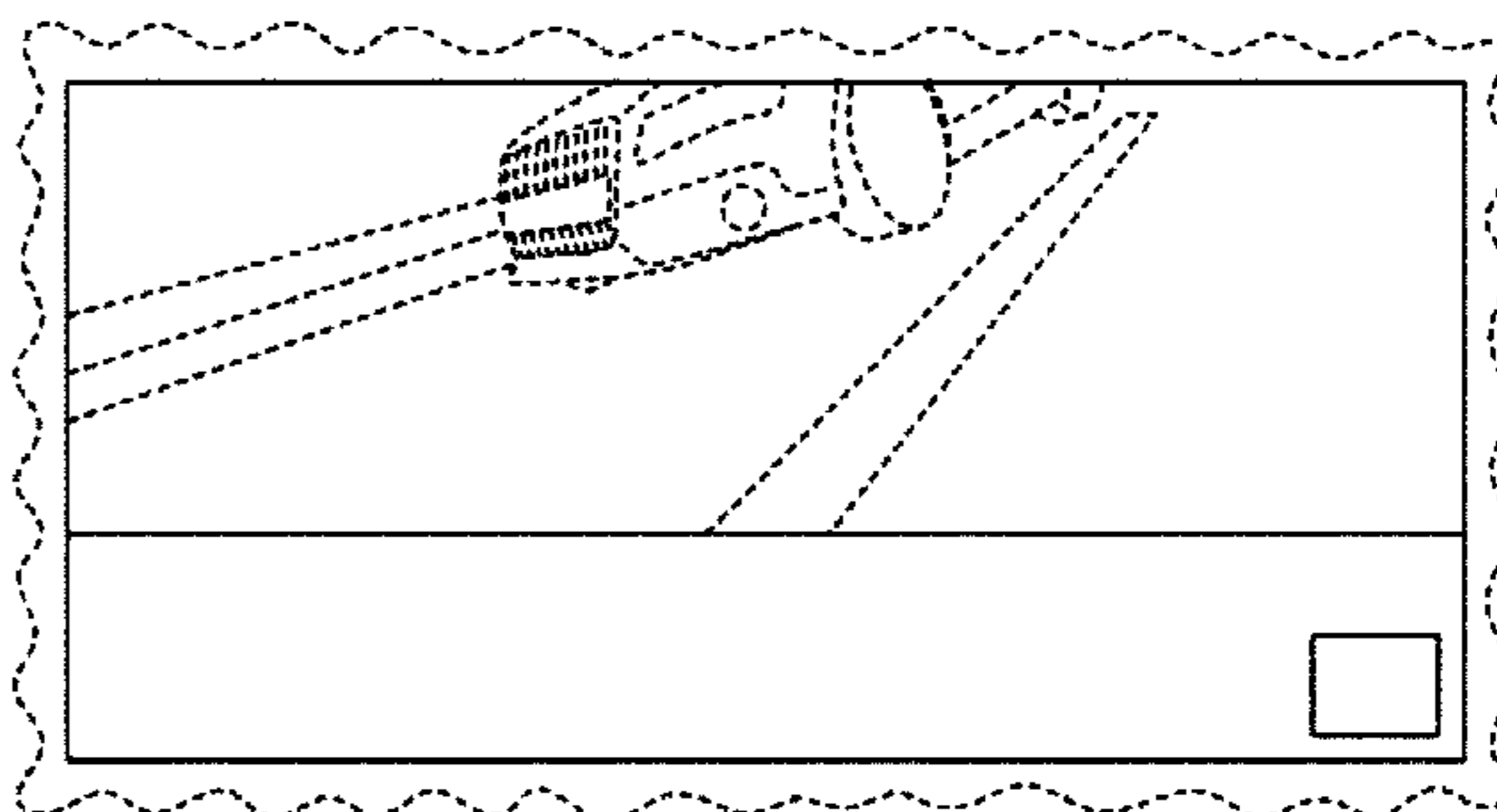
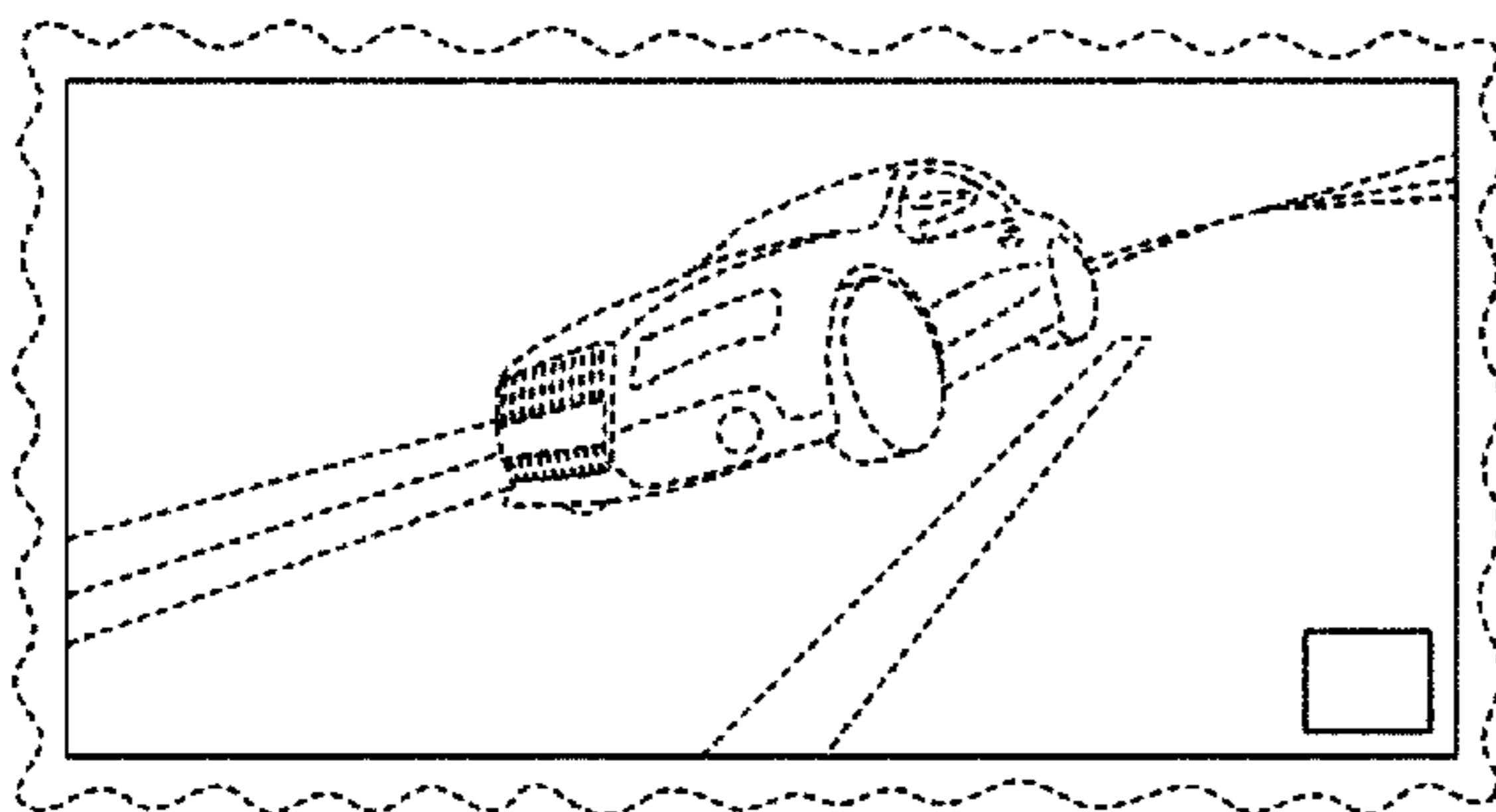
FIG. 5 is the fifth image thereof;

FIG. 6 is the sixth image thereof; and,

FIG. 7 is the seventh image thereof.

The broken line showing of the display screen and unclaimed portions of the animated user interface is for environmental purposes only and forms no part of the claimed design.

**1 Claim, 7 Drawing Sheets**



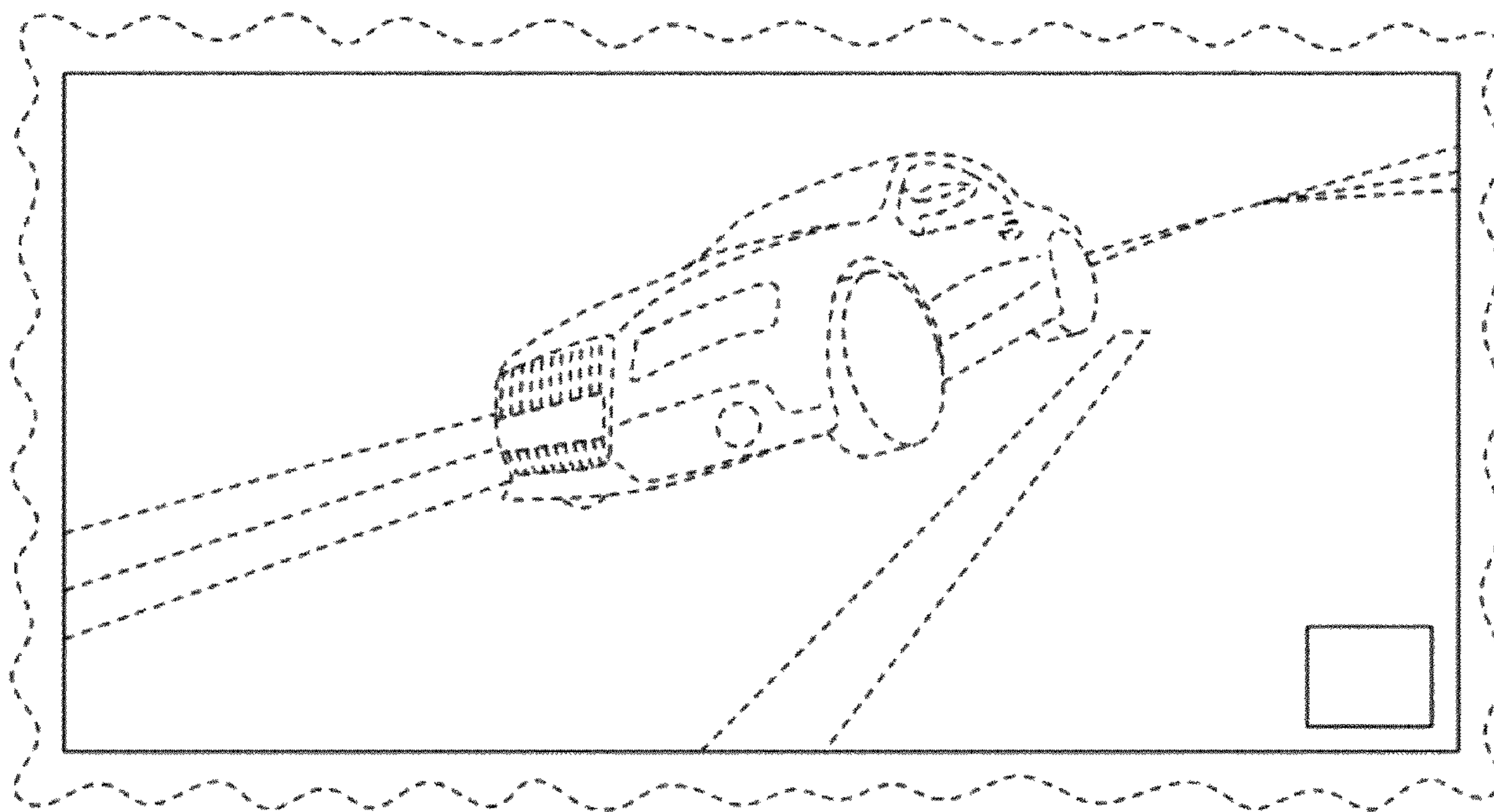


FIG. 1

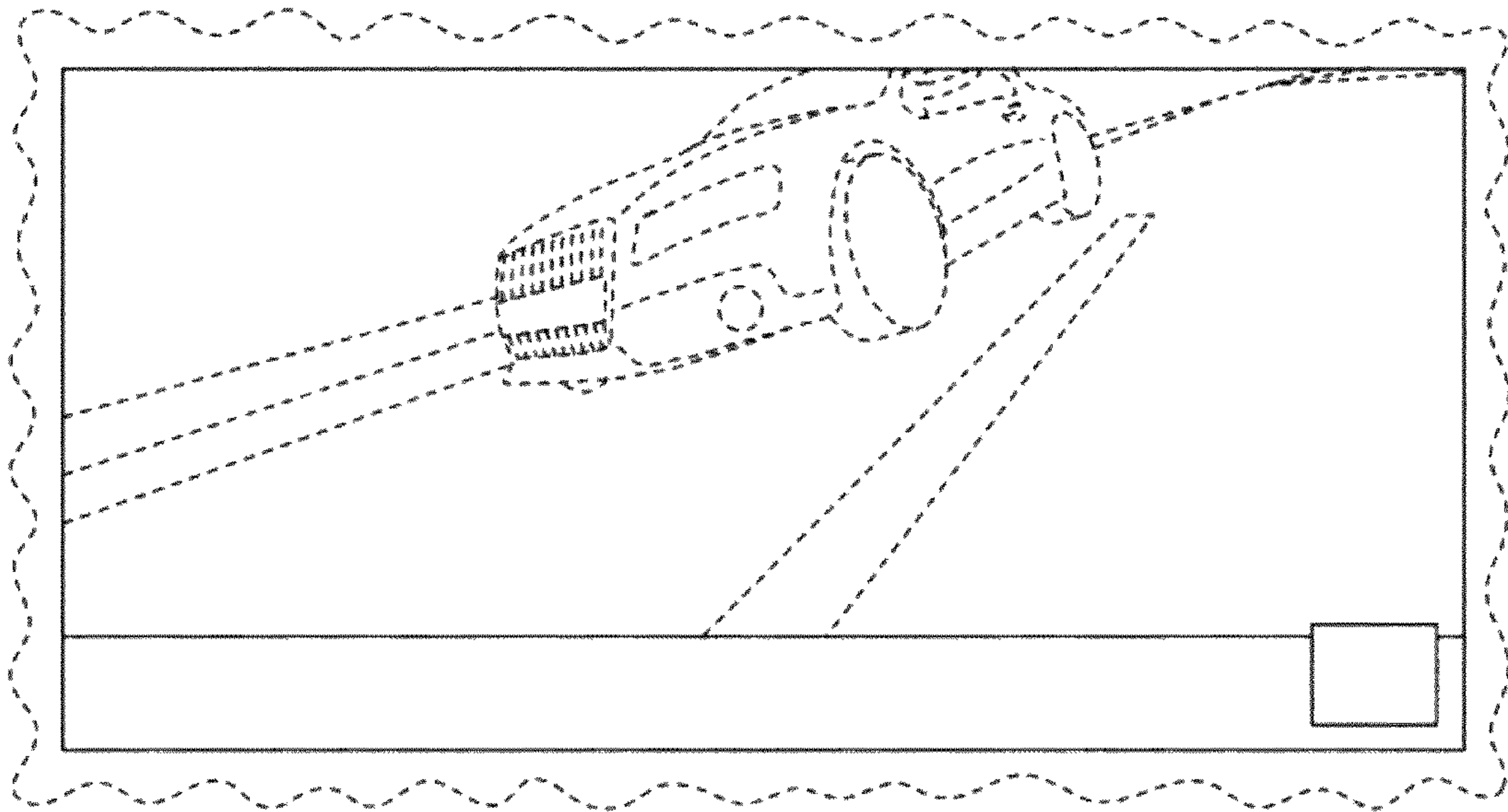


FIG. 2

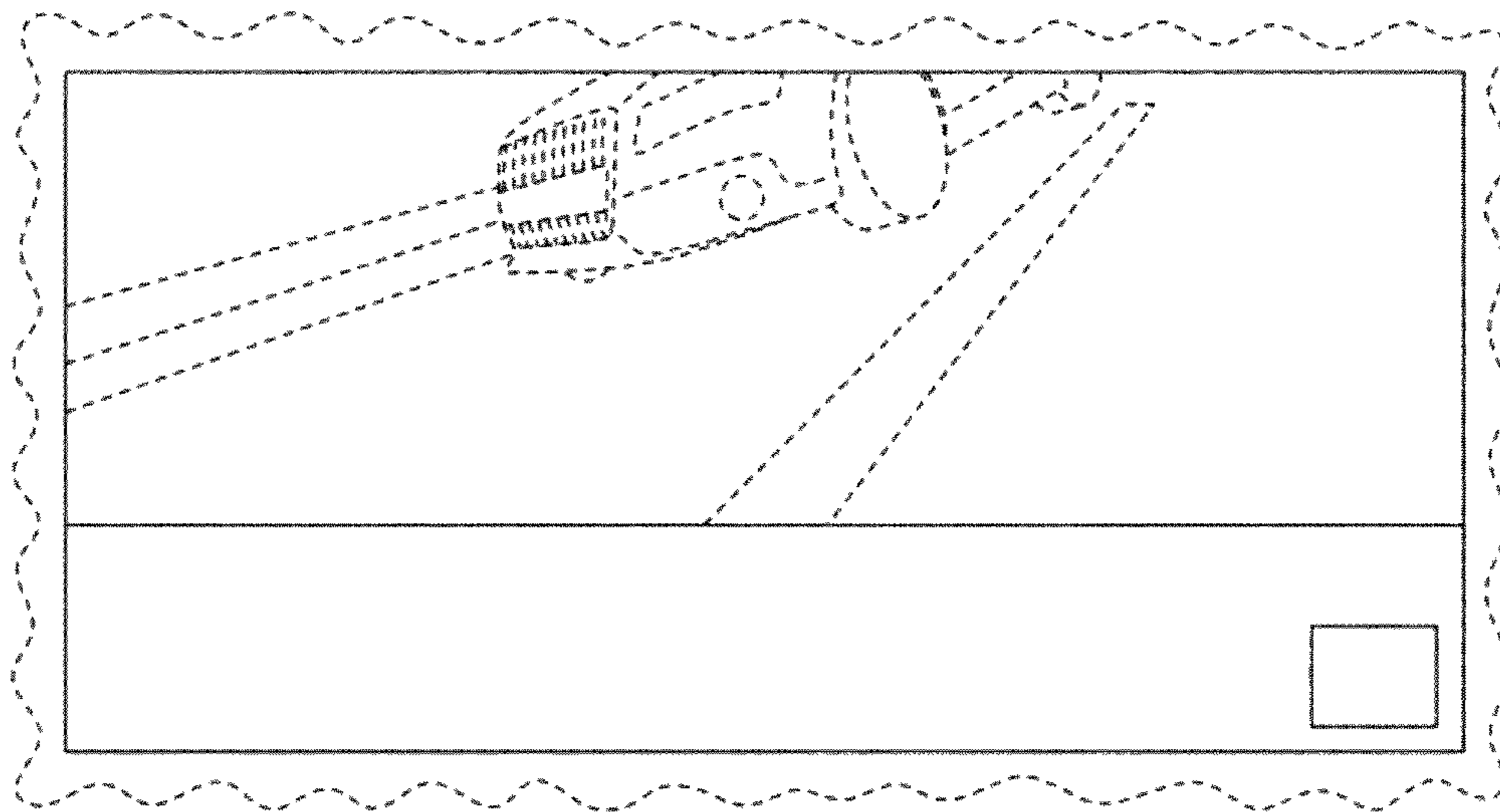


FIG. 3

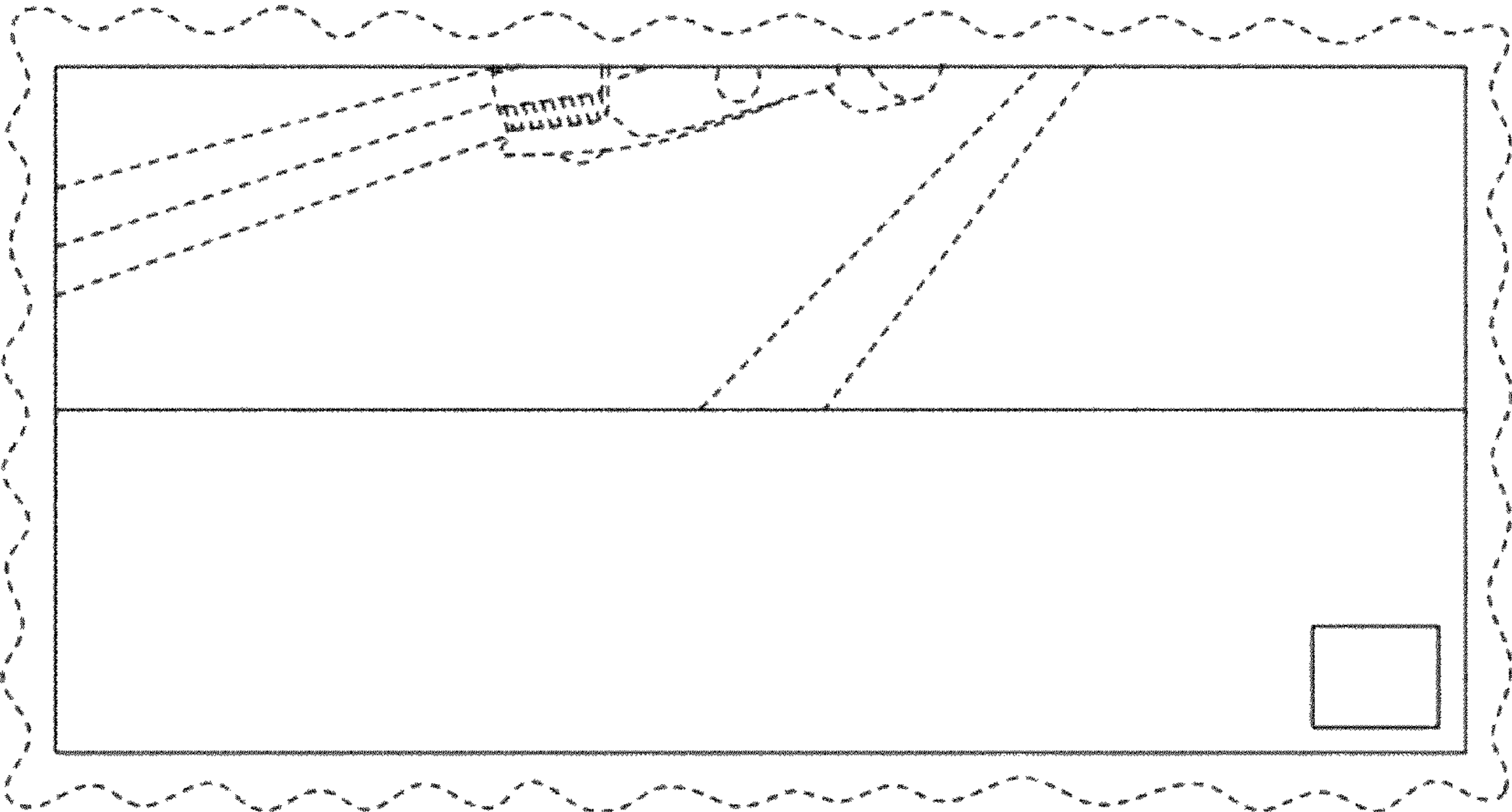


FIG. 4

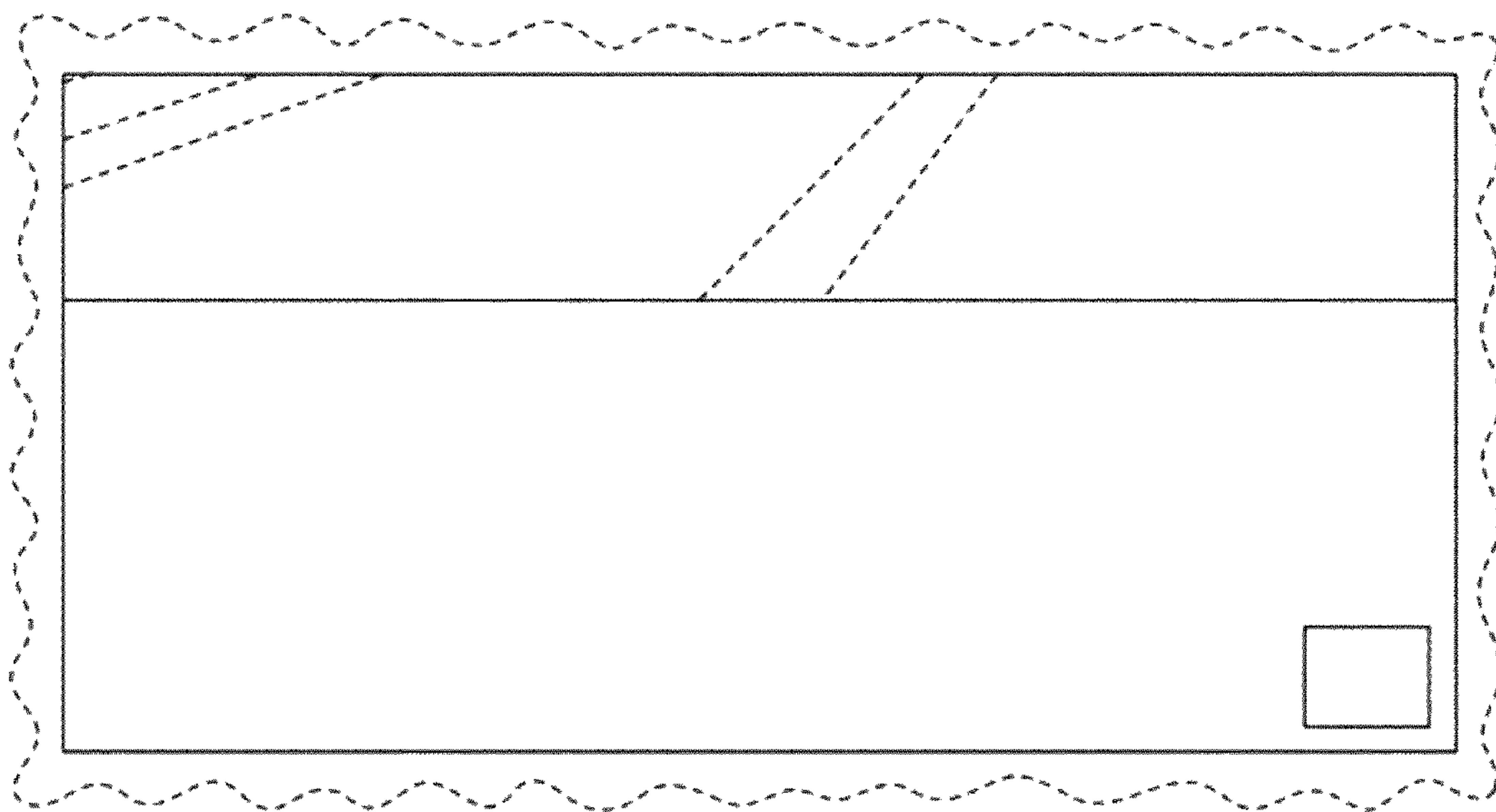


FIG. 5

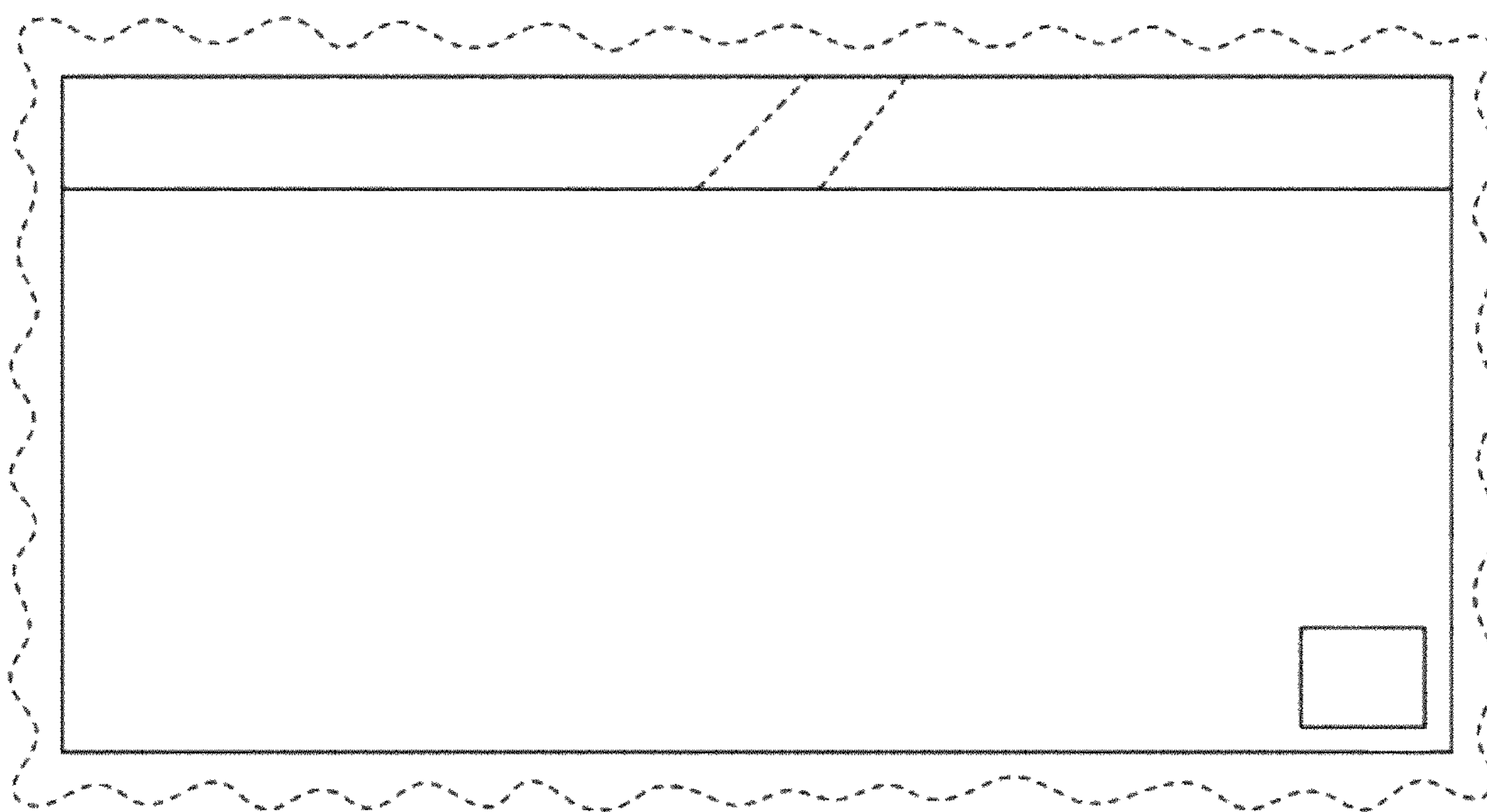


FIG. 6



FIG. 7