



US00D655709S

(12) **United States Design Patent**
Huang

(10) **Patent No.:** **US D655,709 S**
(45) **Date of Patent:** **** Mar. 13, 2012**

(54) **USB MEMORY STICK**

(75) Inventor: **Joseph Huang**, Taoyuan (TW)

(73) Assignee: **Ho E Screw & Hardware Co., Ltd.**,
Lu-Chu, Taoyuan (TW)

(**) Term: **14 Years**

(21) Appl. No.: **29/385,928**

(22) Filed: **Feb. 22, 2011**

(51) **LOC (9) Cl.** **14-02**

(52) **U.S. Cl.** **D14/480.3; D3/208**

(58) **Field of Classification Search** D14/411,
D14/433, 435.1, 436, 480.1–480.7, 484.1,
D14/137, 155, 203.1–203.8, 240; D13/133,
D13/154; 710/300, 301; 439/131, 135–147;
361/679.31, 679.33, 679.4, 752; 711/100,
711/115; D3/201, 273, 207, 208; 70/459,
70/456 B

See application file for complete search history.

(56) **References Cited**

U.S. PATENT DOCUMENTS

D99,418	S	*	4/1936	Schaller	D3/207
2,896,290	A	*	7/1959	Salm et al.	24/600.4
3,299,679	A	*	1/1967	Anderson	70/459
3,604,233	A	*	9/1971	Barrett	70/459
D248,190	S	*	6/1978	Motzer	D3/207
D273,722	S	*	5/1984	Brentini	D3/207
D299,480	S	*	1/1989	Harari	D3/207
D304,310	S	*	10/1989	Calis	D10/106.1
D308,292	S	*	6/1990	Lui	D3/207
D513,000	S	*	12/2005	Cohen	D14/480.3

D524,038	S	*	7/2006	Leung	D3/208
D537,818	S	*	3/2007	Burton et al.	D14/480.1
D550,711	S	*	9/2007	Lee et al.	D14/496
7,503,780	B1	*	3/2009	Huang	439/135
D606,078	S	*	12/2009	Chen	D14/480.6
7,794,246	B2	*	9/2010	Cheng	439/138
D640,263	S	*	6/2011	Huang	D14/480.3
2005/0277316	A1	*	12/2005	Cohen	439/135
2007/0017266	A1	*	1/2007	Huang	70/459

* cited by examiner

Primary Examiner — Karen E Kearney

(74) *Attorney, Agent, or Firm* — Guice Patents PLLC

(57) **CLAIM**

The ornamental design for an USB memory stick, as shown and described.

DESCRIPTION

FIG. 1 is a perspective view of a USB memory stick showing my new design;

FIG. 2 is a front view thereof;

FIG. 3 is a rear view thereof;

FIG. 4 is a left side view thereof;

FIG. 5 is a right side view thereof;

FIG. 6 is a top view thereof;

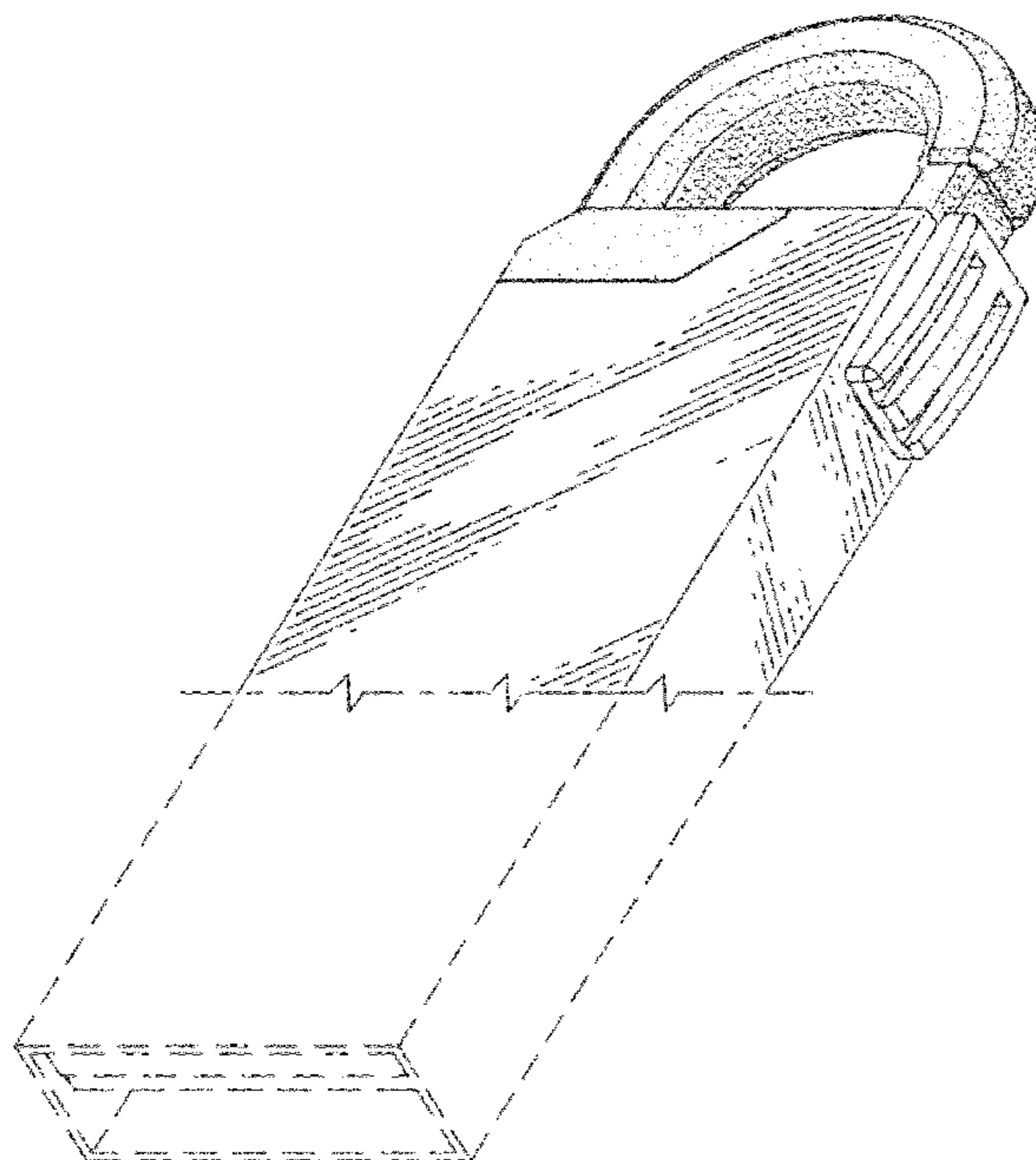
FIG. 7 is a bottom view thereof; and,

FIG. 8 is a perspective view thereof, shown in the context of a different unclaimed portion.

The broken line showings of the connector in FIGS. 1-7 and the connector in FIG. 8 are for the purpose of illustrating unclaimed portions of the USB memory stick and form no part of the claimed design.

The drafting break lines shown on the connector in the drawings represent that the connector is of non-specified length.

1 Claim, 5 Drawing Sheets



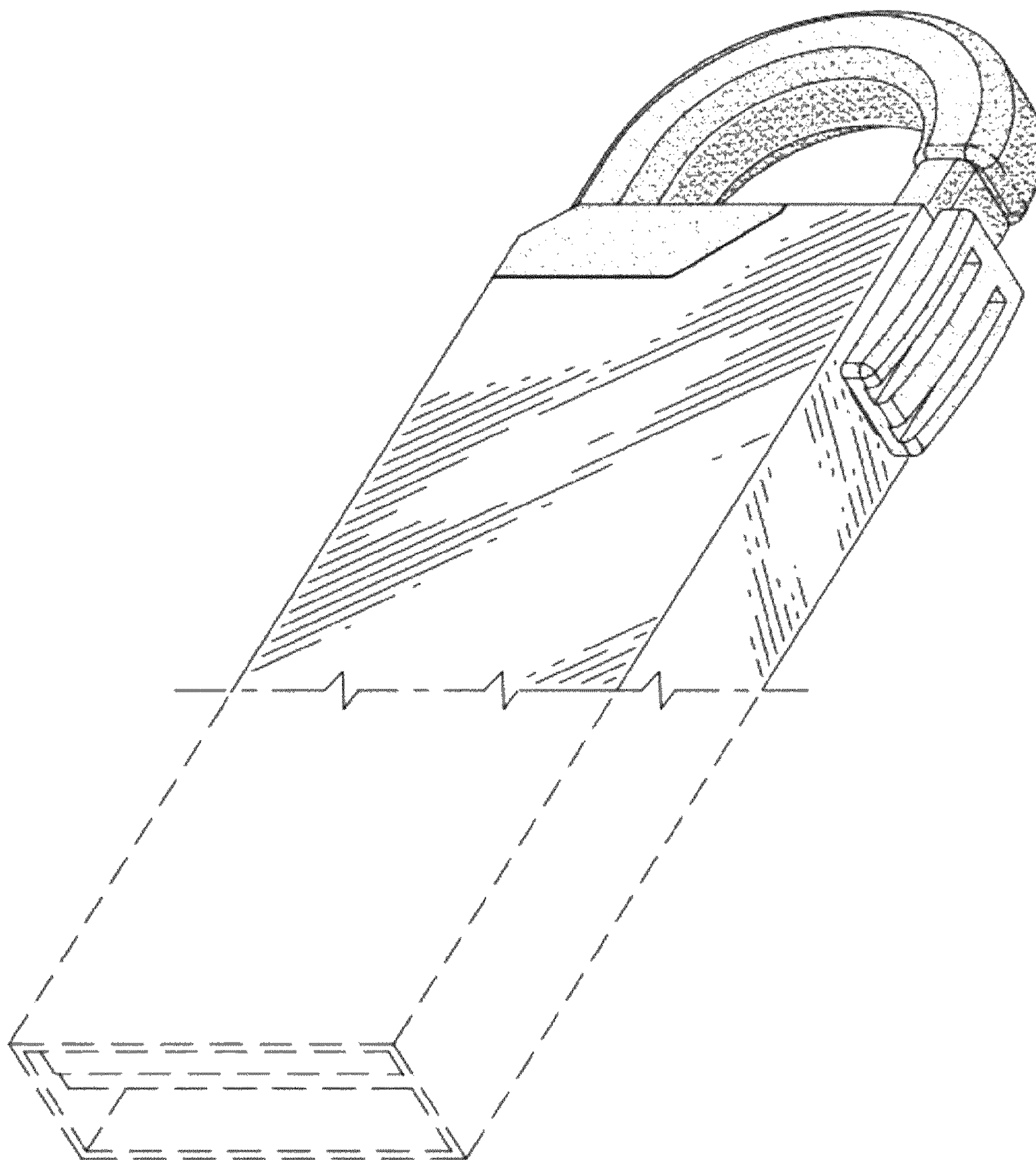


FIG. 1

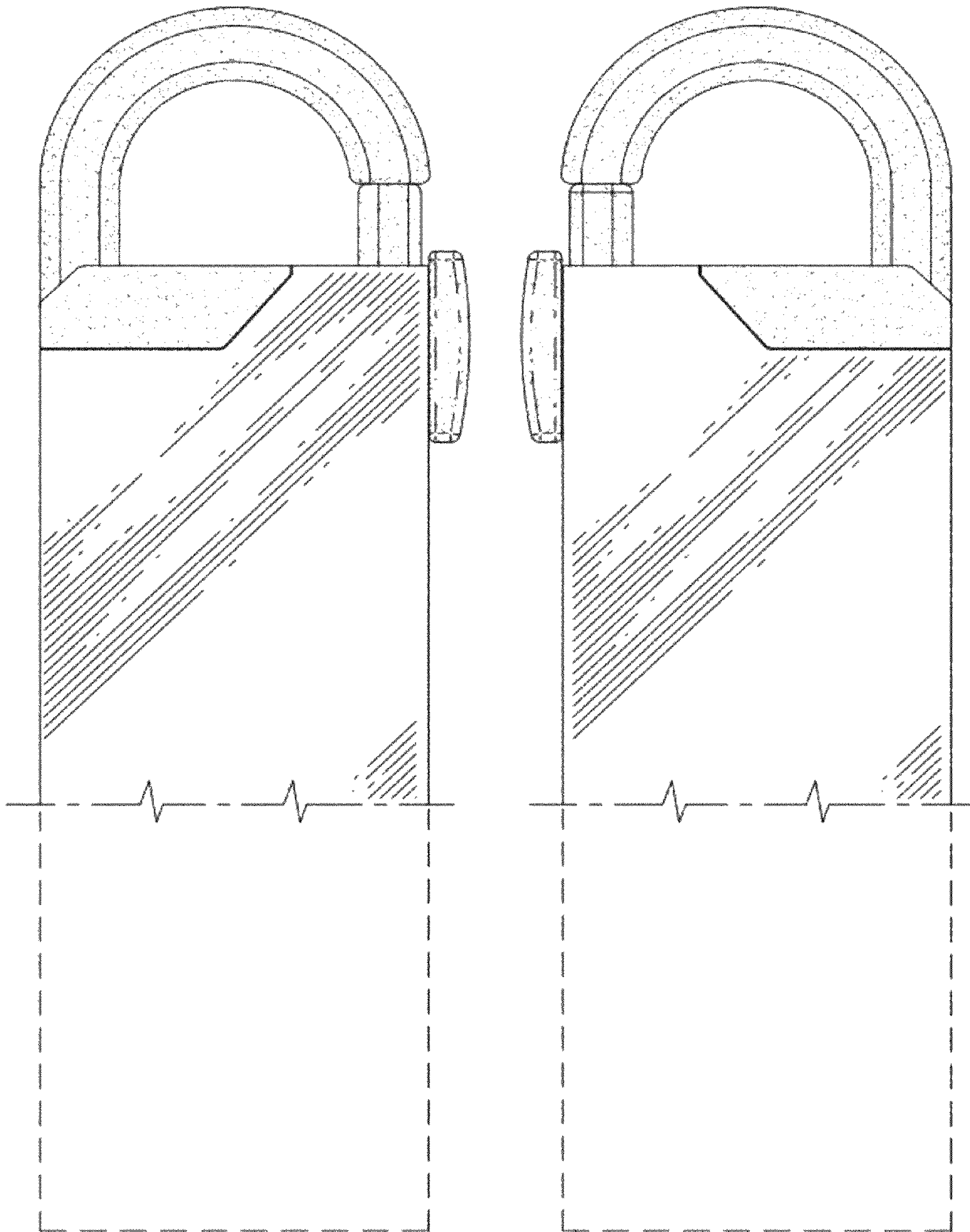


FIG. 2

FIG. 3

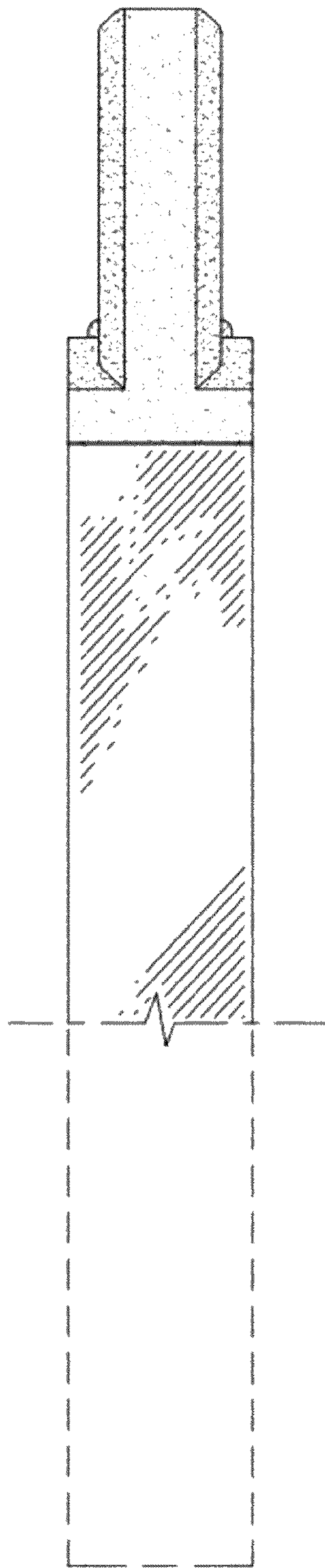


FIG. 4

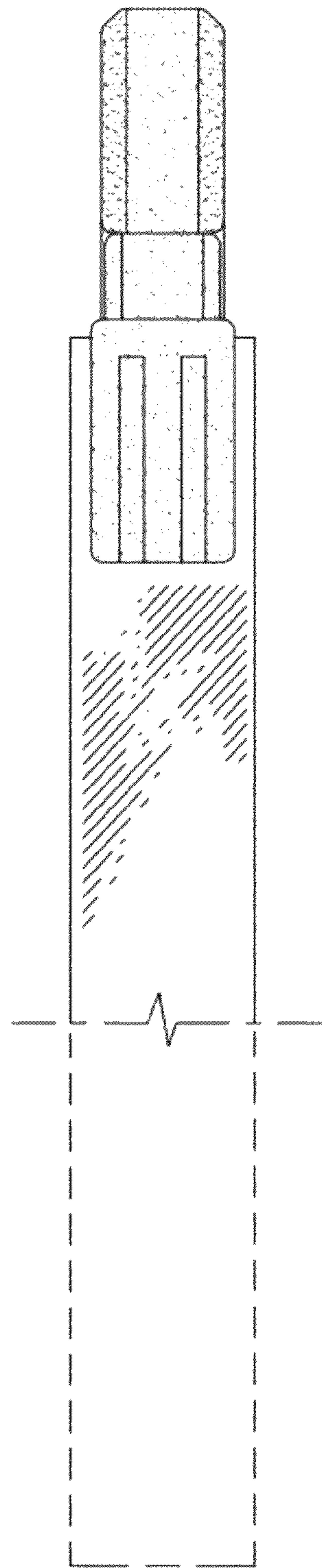


FIG. 5

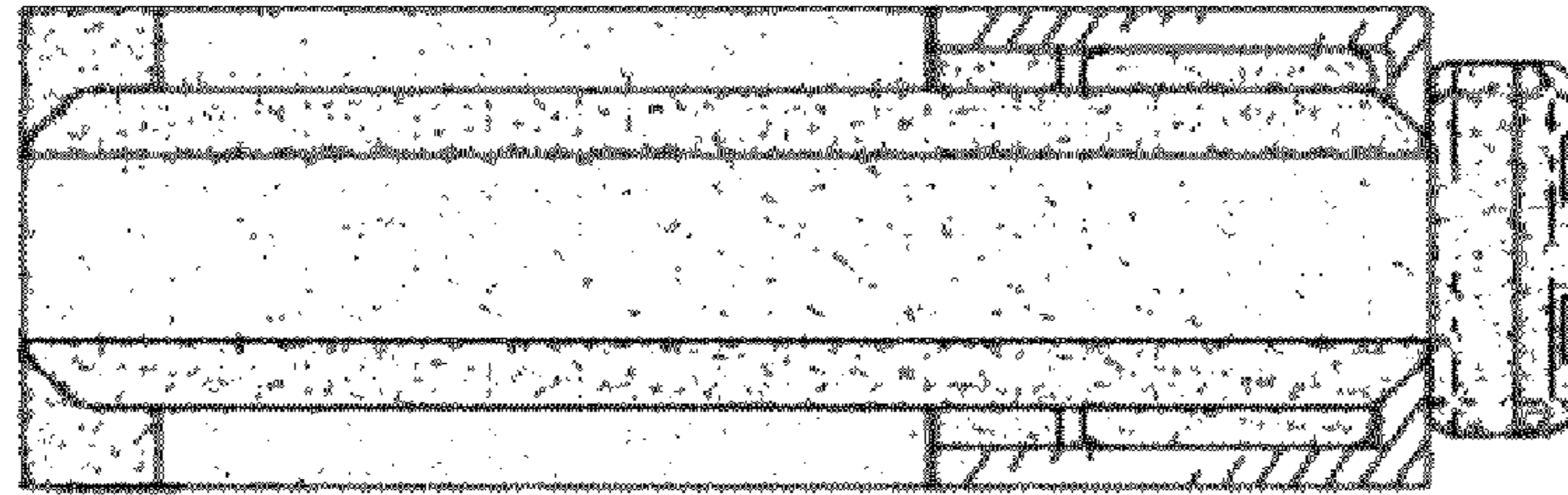


FIG. 6

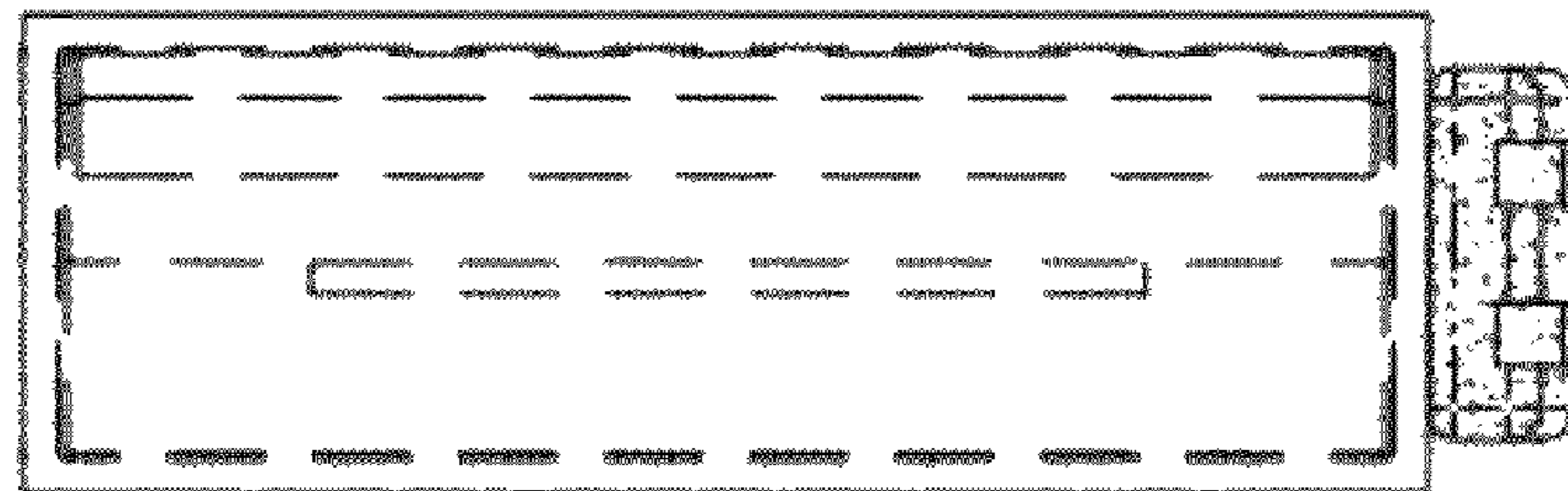


FIG. 7

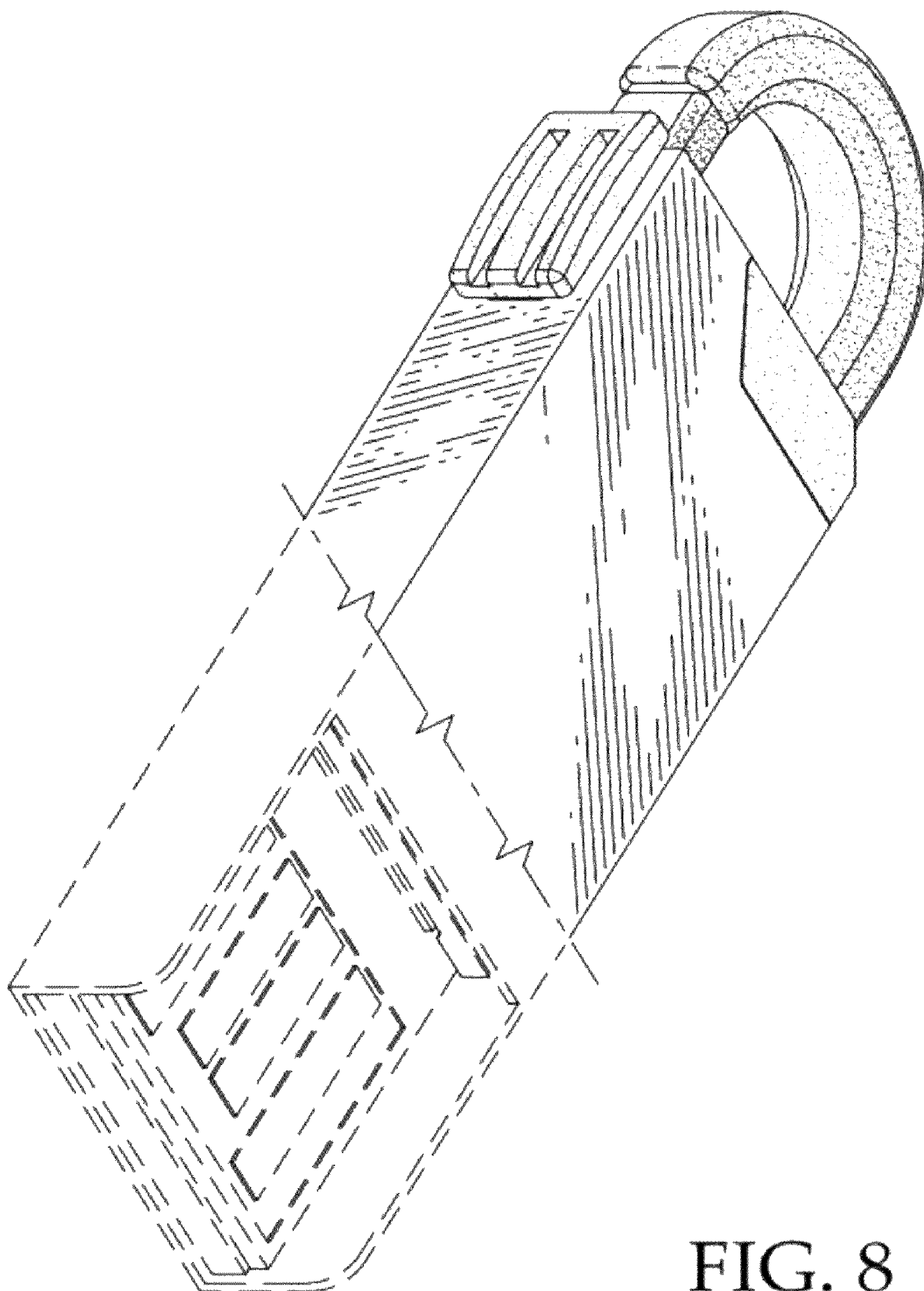


FIG. 8