



US00D655708S

(12) **United States Design Patent**
Frank

(10) **Patent No.:** **US D655,708 S**
(45) **Date of Patent:** **** Mar. 13, 2012**

(54) **USB DEVICE**

(75) Inventor: **Yannik Frank**, Paris (FR)

(73) Assignee: **Archos**, Igny (FR)

(**) Term: **14 Years**

(21) Appl. No.: **29/384,013**

(22) Filed: **Jan. 25, 2011**

(30) **Foreign Application Priority Data**

Nov. 30, 2010 (EM) 1787664-0001/-0002

(51) **LOC (9) Cl.** **14-02**

(52) **U.S. Cl.** **D14/435.1**

(58) **Field of Classification Search** D14/356-370,
D14/411, 433, 435.1, 436, 455, 480.1-480.7,
D14/484.1, 137, 203.1-203.8, 240; D13/133,
D13/154, 168; D21/566; D10/104, 106;
710/300, 301; 439/131, 135-147; 345/169;
348/14.05, 114, 734; 341/22; 455/92, 95,
455/128, 151.1-151.4, 352, 355, FOR. 121;
700/65

See application file for complete search history.

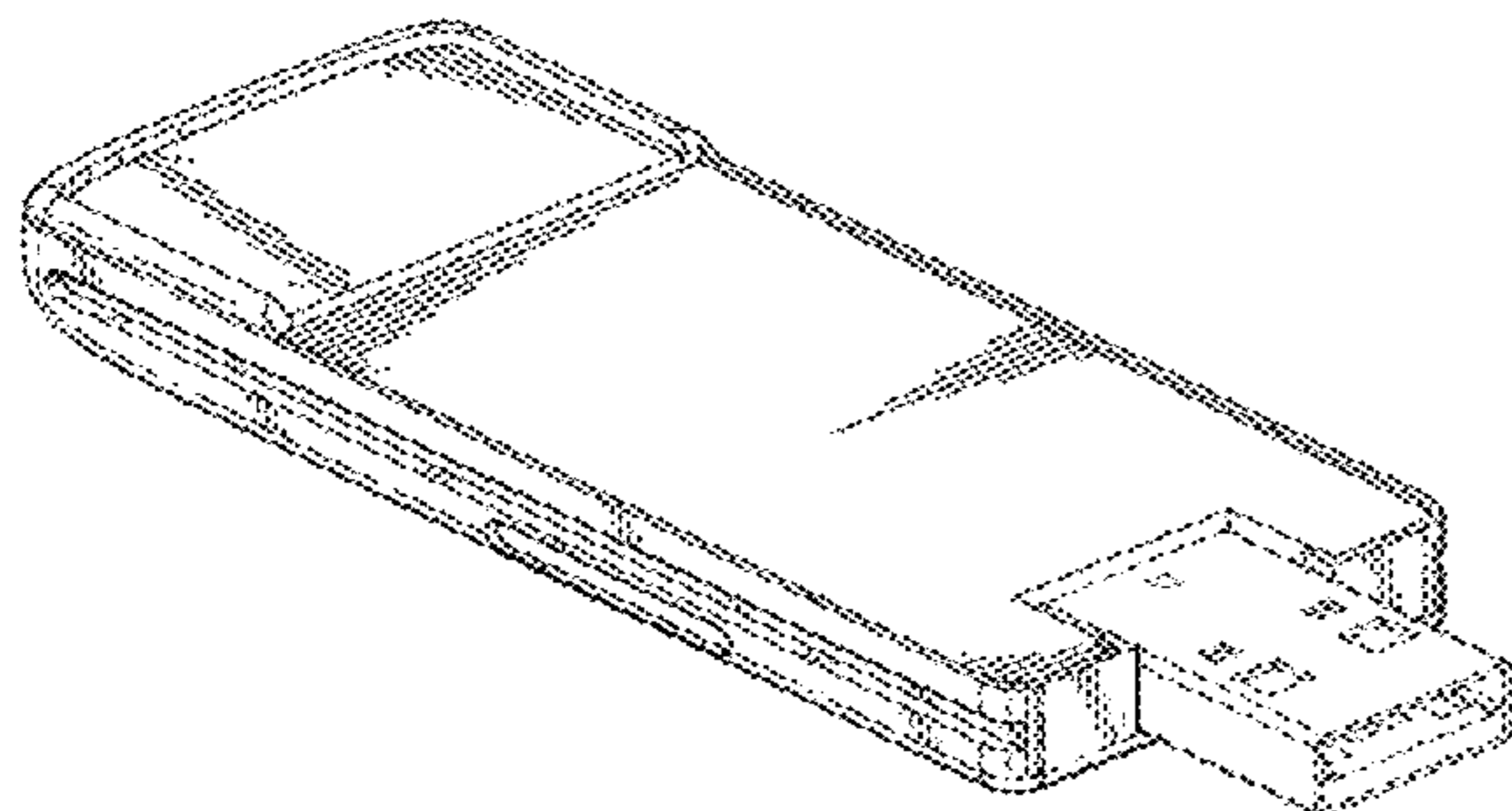
(56) **References Cited**

U.S. PATENT DOCUMENTS

D269,088	S	*	5/1983	Genaro et al.	D14/137
D312,251	S	*	11/1990	Bleck et al.	D14/435
D445,422	S	*	7/2001	Hsin	D14/385
D448,770	S	*	10/2001	Morimiya	D14/385
D491,143	S	*	6/2004	Jiang	D14/435.1
D531,118	S	*	10/2006	Krieger et al.	D14/435.1
D546,277	S	*	7/2007	Andre et al.	D13/103
D573,985	S	*	7/2008	Jeong et al.	D14/240
D589,889	S	*	4/2009	Wu et al.	D13/147
D599,795	S	*	9/2009	Lindley	D14/358
D642,585	S	*	8/2011	Lan et al.	D14/480.5
2006/0155913	A1	*	7/2006	Nishikawa et al.	711/100

OTHER PUBLICATIONS

alibaba.com, [online], [retrieved on Nov. 16, 2006]. Retrieved from the Internet <URL: http://img.alibaba.com/photo/11493648/USB_Flash_Drive.jpg>.*



Archos G9 Tablets: Humongous Storage, Low price | Ubergizmo, [online] Archived on Jul. 2011 [retrieved on Dec. 13, 2011]. Retrieved from the Internet <URL: <http://www.ubergizmo.com/2011/06/archos-g9-tablet/>>.*

Archos G9 Android Tablets to Embrace Ice Cream Sandwich in Early 2012 >> Android TidBits, [online] Posted on Dec. 8, 2011 [retrieved on Dec. 13, 2011]. Retrieved from the Internet <URL: <http://androidtidbits.com/archos-g9-android-tablets-ice-cream-sandwich>>.*

* cited by examiner

Primary Examiner — Karen E Kearney

(74) *Attorney, Agent, or Firm* — Young & Thompson

(57) **CLAIM**

The ornamental design for a USB device, as shown and described.

DESCRIPTION

FIG. 1 is a top and side perspective view of a USB device showing my new design;

FIG. 2 is a top plan view thereof;

FIG. 3 is a bottom plan view thereof;

FIG. 4 is a left side elevational view thereof;

FIG. 5 is a right side elevational view thereof;

FIG. 6 is a front elevational view thereof;

FIG. 7 is a rear elevational view thereof;

FIG. 8 is a top and side perspective view of a second embodiment of the USB device showing my new design;

FIG. 9 is a top plan view thereof;

FIG. 10 is a bottom plan view thereof;

FIG. 11 is a left side elevational view thereof;

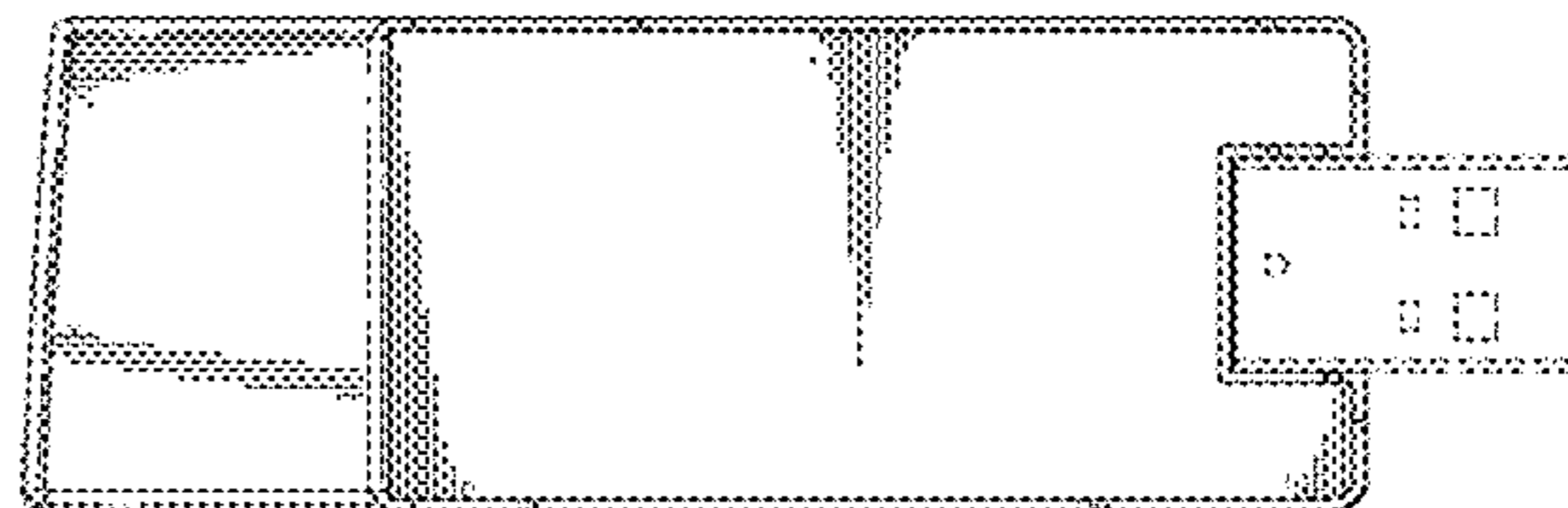
FIG. 12 is a right side elevational view thereof;

FIG. 13 is a front elevational view thereof; and,

FIG. 14 is a rear elevational view thereof.

The material shown in broken lines forms no part of the claimed design.

1 Claim, 6 Drawing Sheets



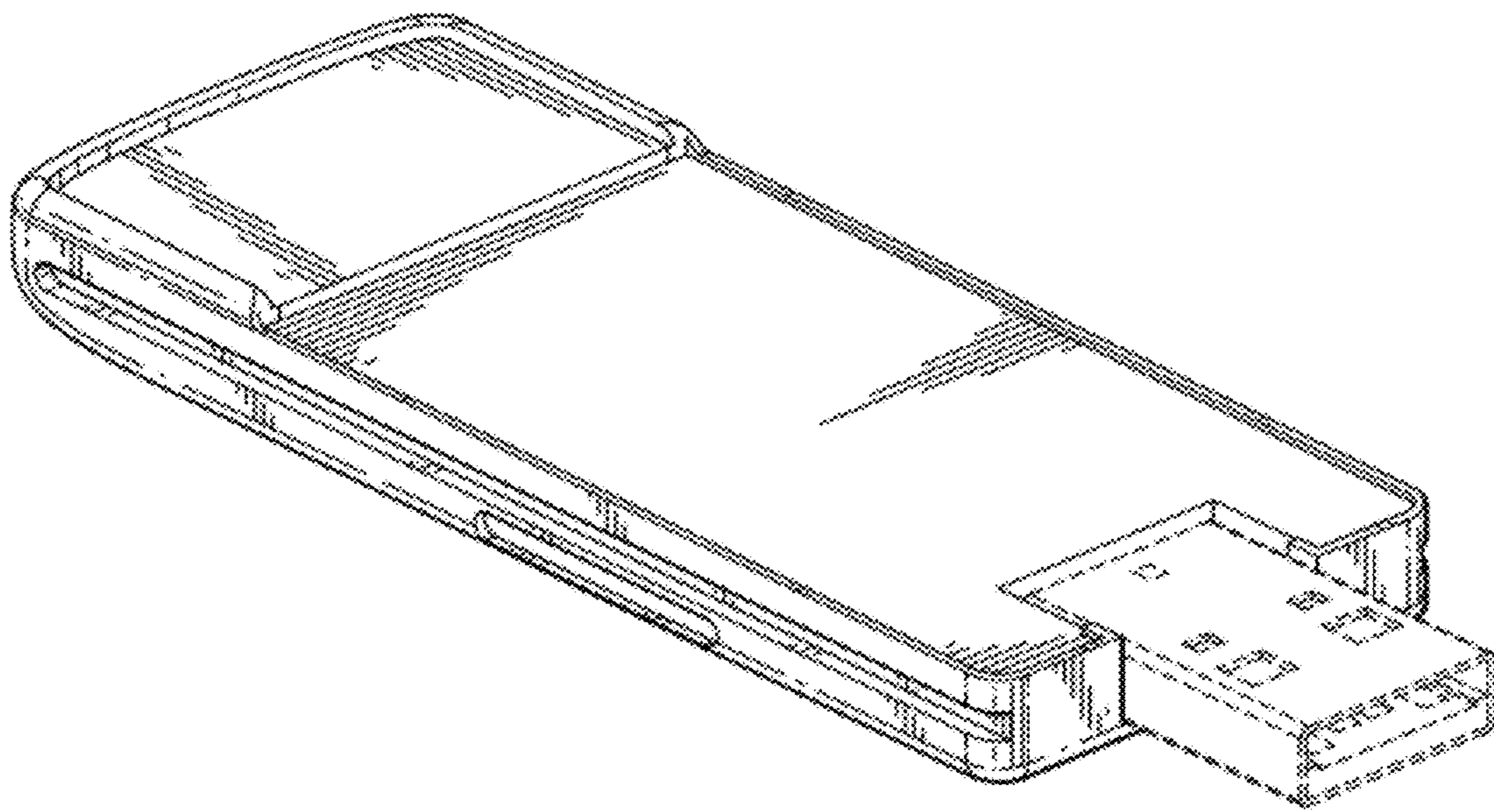


FIG. 1

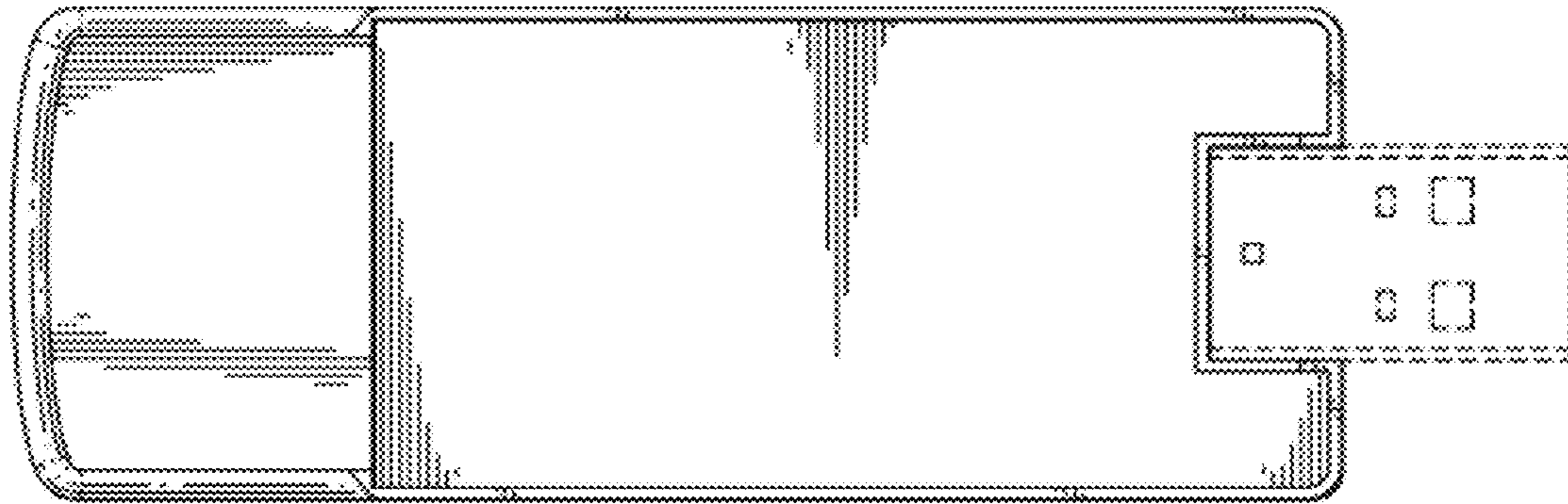


FIG. 2

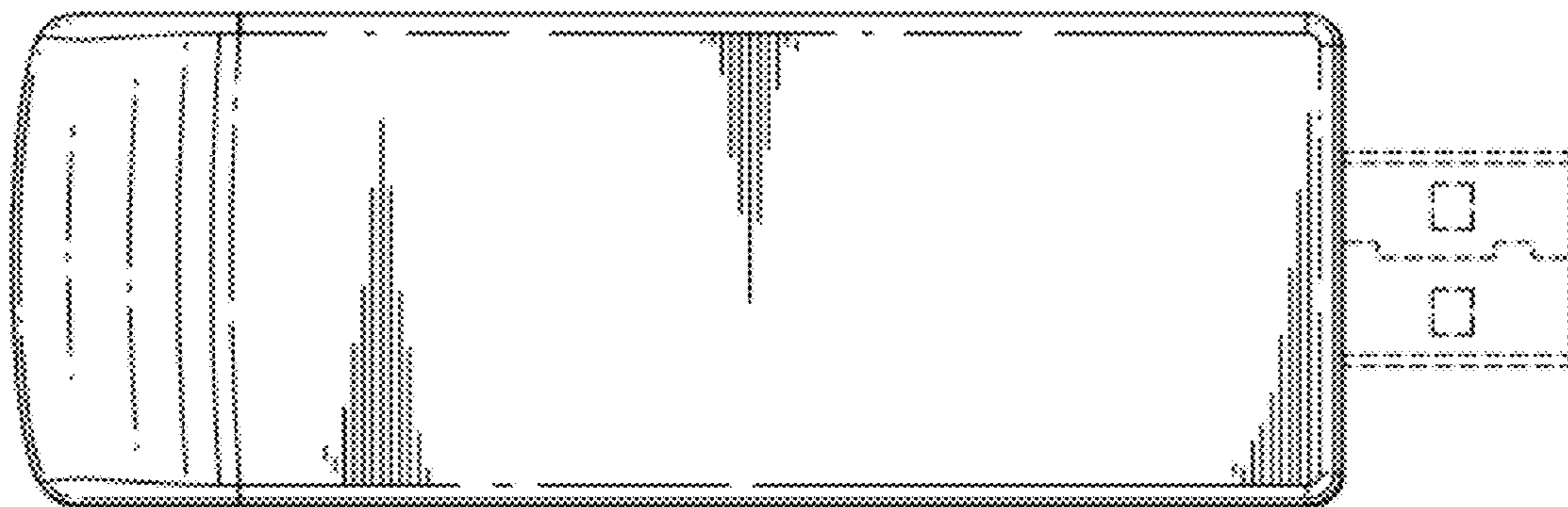


FIG. 3

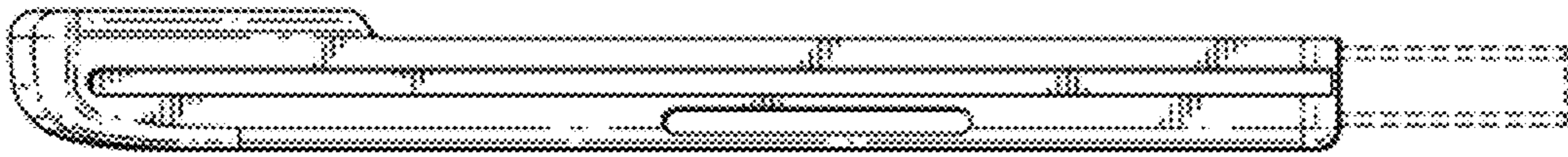


FIG. 4

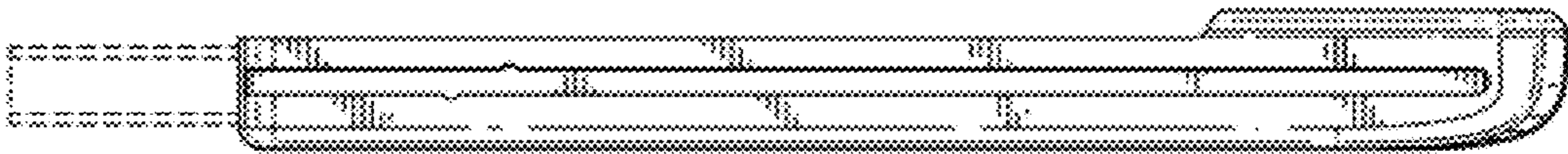


FIG. 5

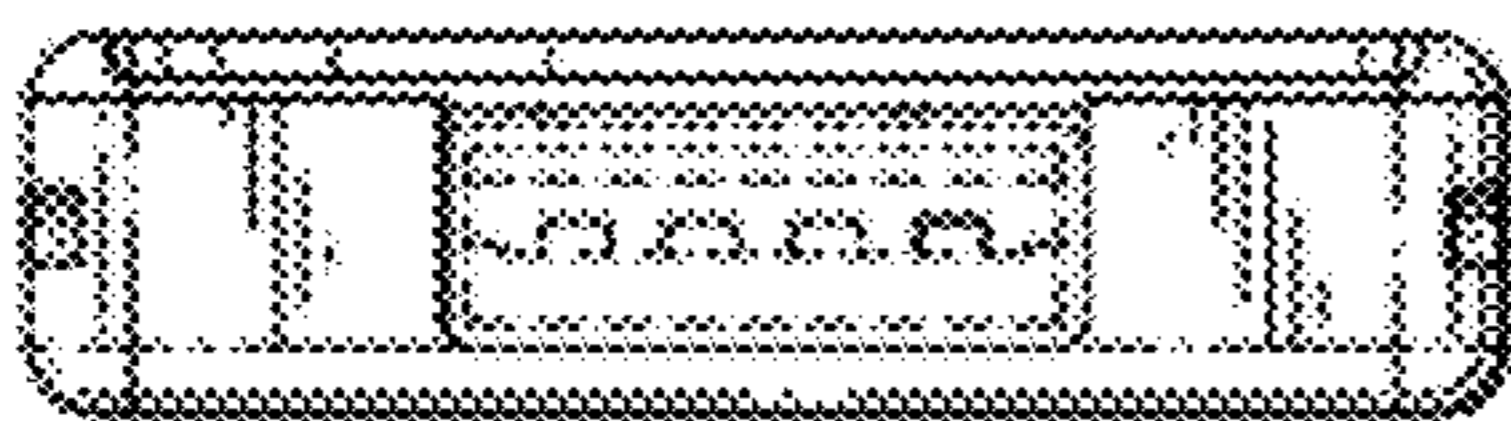


FIG. 6

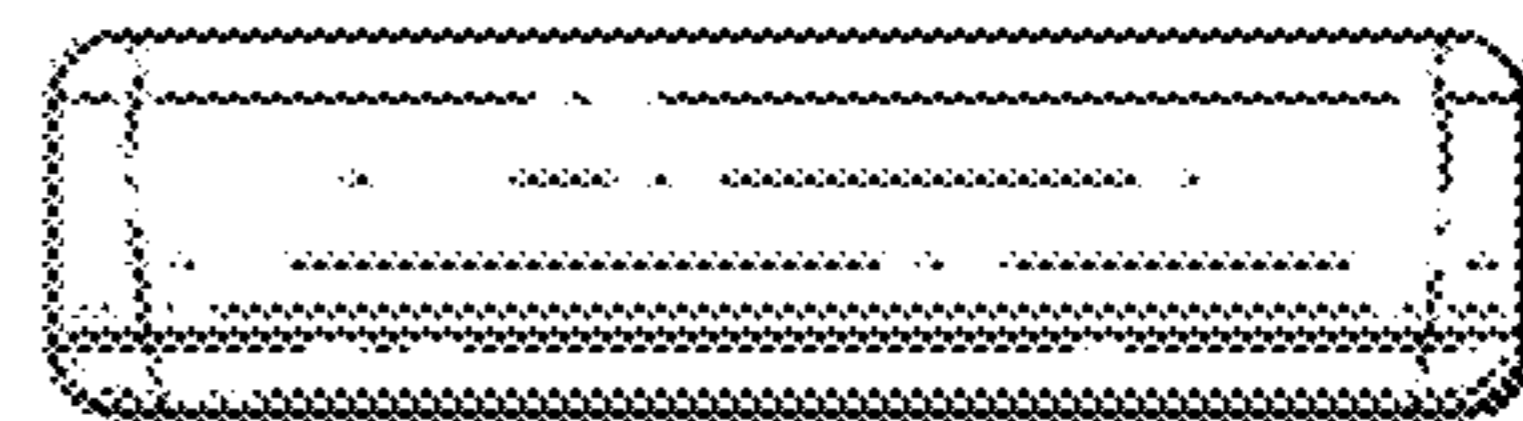


FIG. 7

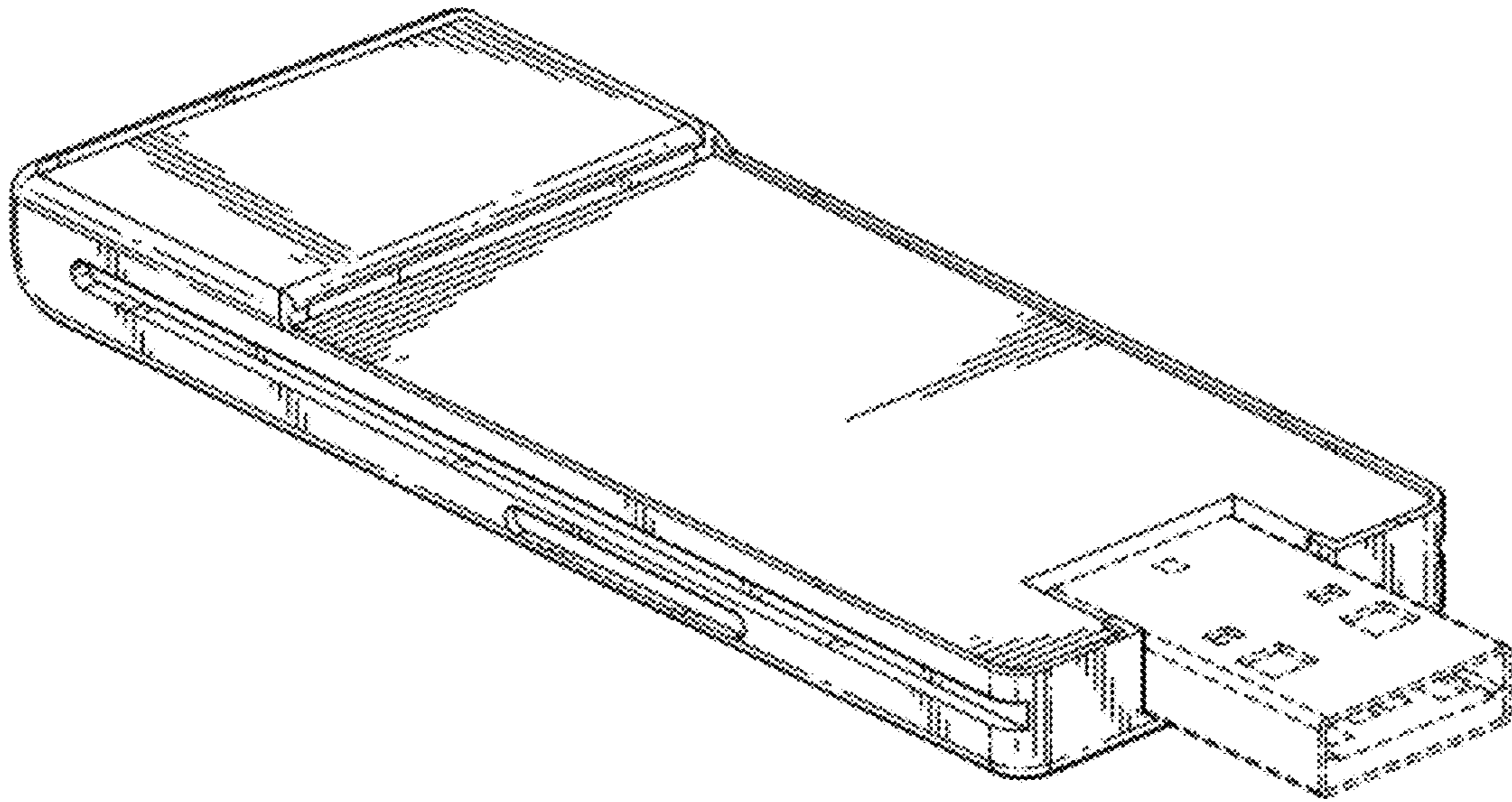


FIG. 8

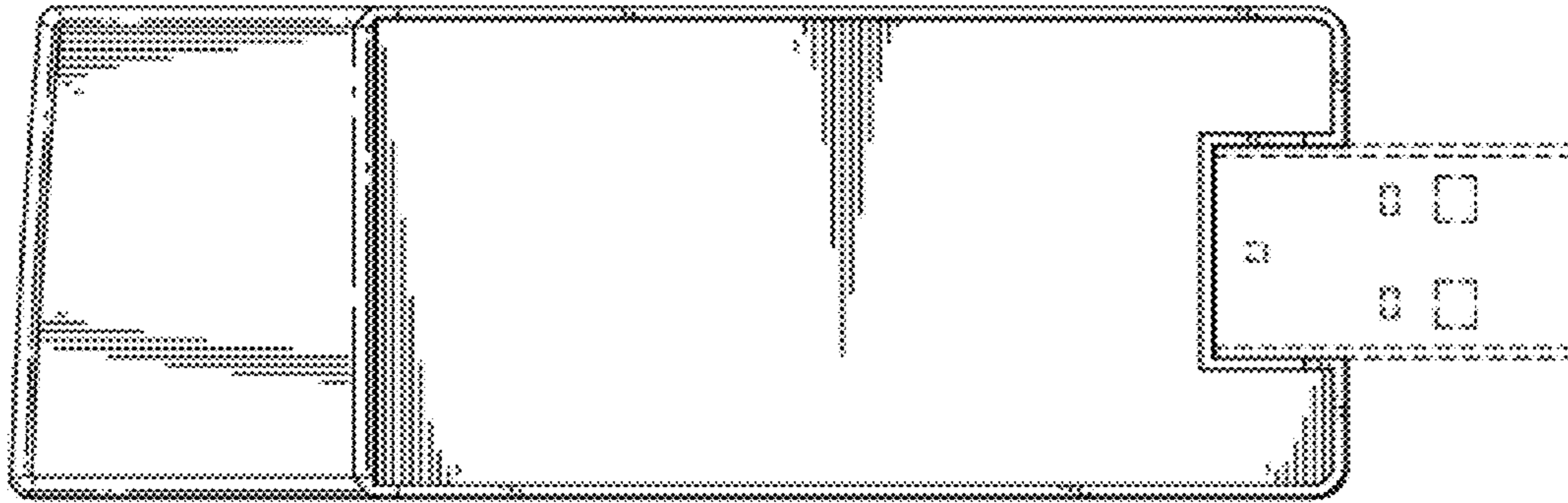


FIG. 9

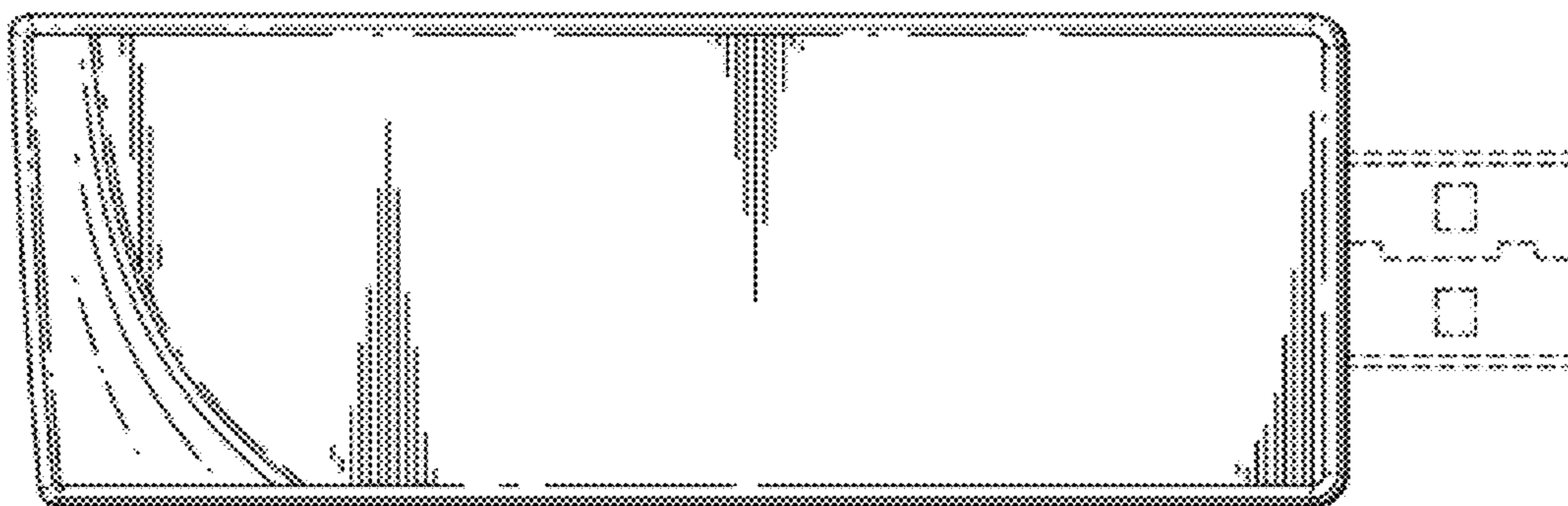


FIG. 10

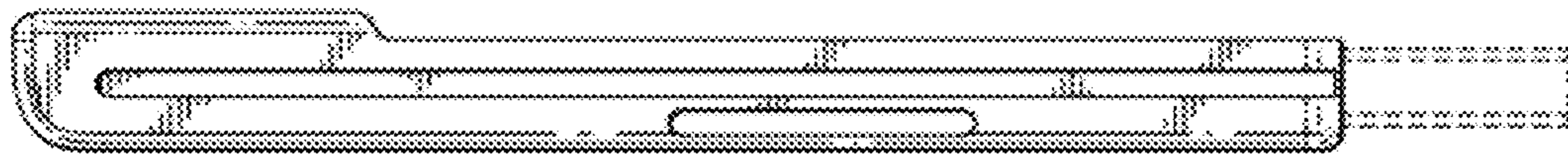


FIG. 11

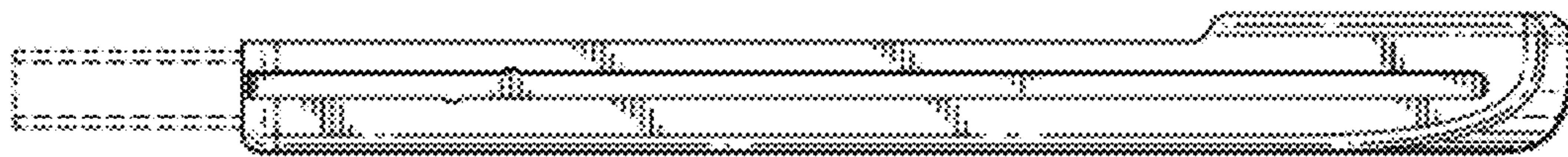


FIG. 12

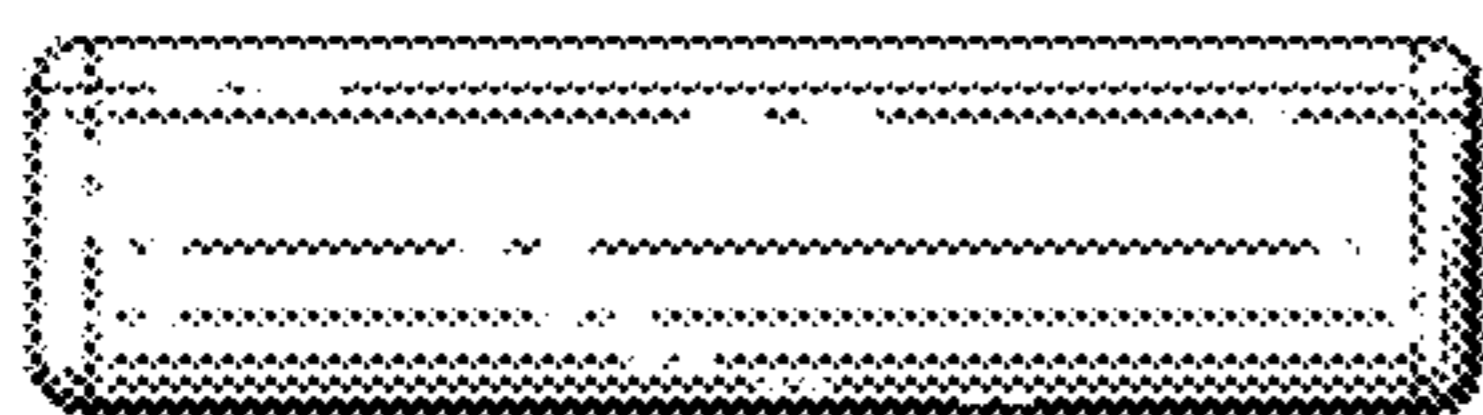


FIG. 14

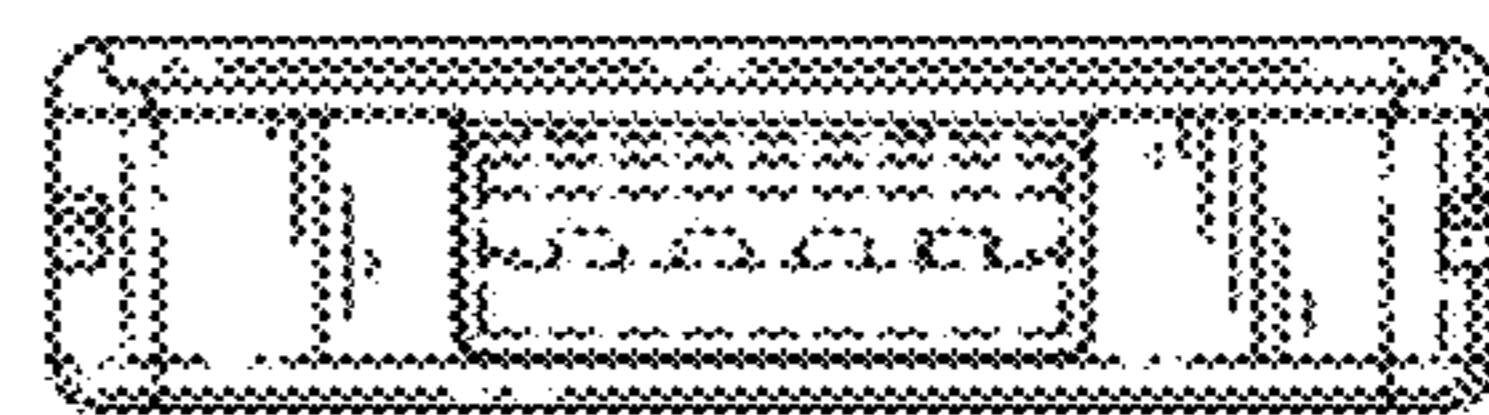


FIG. 13