



US00D655694S

(12) **United States Design Patent**
Hanks et al.

(10) **Patent No.:** **US D655,694 S**
(45) **Date of Patent:** **** Mar. 13, 2012**

(54) **HEADSET**

(75) Inventors: **Richard T. Hanks**, Seattle, WA (US);
Quintin R. Morris, Issaquah, WA (US);
Sung Ho Son, Redmond, WA (US)

(73) Assignee: **Microsoft Corporation**, Redmond, WA (US)

(**) Term: **14 Years**

(21) Appl. No.: **29/391,907**

(22) Filed: **May 13, 2011**

(51) **LOC (9) Cl.** **14-01**

(52) **U.S. Cl.** **D14/223**

(58) **Field of Classification Search** D14/205,
D14/206, 223; 181/129, 130, 135; 379/430,
379/431; 381/380, 381; 455/90.3, 575.1

See application file for complete search history.

(56) **References Cited**

U.S. PATENT DOCUMENTS

5,313,663	A *	5/1994	Norris	455/351
D441,739	S	5/2001	Hayes et al.		
D442,575	S	5/2001	Hayes et al.		
D538,271	S *	3/2007	Kim et al.	D14/223
D550,215	S	9/2007	Udagawa et al.		
D553,613	S *	10/2007	Sade et al.	D14/223
D558,188	S	12/2007	Ikeda et al.		
D561,738	S	2/2008	Ikeda et al.		
D561,739	S	2/2008	Ikeda et al.		
D566,103	S *	4/2008	Sade et al.	D14/223
D568,301	S *	5/2008	Kim et al.	D14/223
D590,377	S *	4/2009	Bradford	D14/223
D602,007	S *	10/2009	Lee et al.	D14/223
D602,477	S *	10/2009	Lee et al.	D14/223
D608,766	S *	1/2010	Brickstad	D14/223
D640,242	S *	6/2011	Fahrendorff et al.	D14/223
D643,420	S *	8/2011	Huang	D14/223
D647,513	S *	10/2011	Ha et al.	D14/223
D647,890	S *	11/2011	Son	D14/223
D649,957	S *	12/2011	Fahrendorff et al.	D14/223

OTHER PUBLICATIONS

Aliph Jawbone Yves Behar limited edition headset, dated Feb. 28, 2008, [online], [retrieved on Nov. 8, 2011]. Retrieved from Internet, <URL:http://gizmodo.com/362061/limited-edition-jawbone-headsets-look-incredible>.

Jawbone Icon Bombshell Bluetooth Headset, dated Apr. 29, 2008, [online], [retrieved on Nov. 8, 2011]. Retrieved from Internet, <URL:http://www.fancygadgets.net/jawbone-icon-bombshell-bluetooth-headset.html>.

Aliph's Jawbone, dated Nov. 17, 2007, [online], [retrieved on Nov. 8, 2011]. Retrieved from Internet, <URL:http://www.legitreviews.com/article/594/3/>.

* cited by examiner

Primary Examiner — Paula Greene

(74) *Attorney, Agent, or Firm* — Banner & Witcoff, Ltd

(57) **CLAIM**

The ornamental design for a headset, as shown and described.

DESCRIPTION

FIG. 1 is a front perspective view of a headset showing our new design;

FIG. 2 is an outer side view thereof;

FIG. 3 is an inner side view thereof;

FIG. 4 is a bottom view thereof;

FIG. 5 is a top view thereof;

FIG. 6 is a front view thereof;

FIG. 7 is a rear view thereof;

FIG. 8 is a front perspective view of the headset in FIGS. 1-7 shown without broken lines or shading;

FIG. 9 is an outer side view thereof;

FIG. 10 is an inner side view thereof;

FIG. 11 is a bottom view thereof;

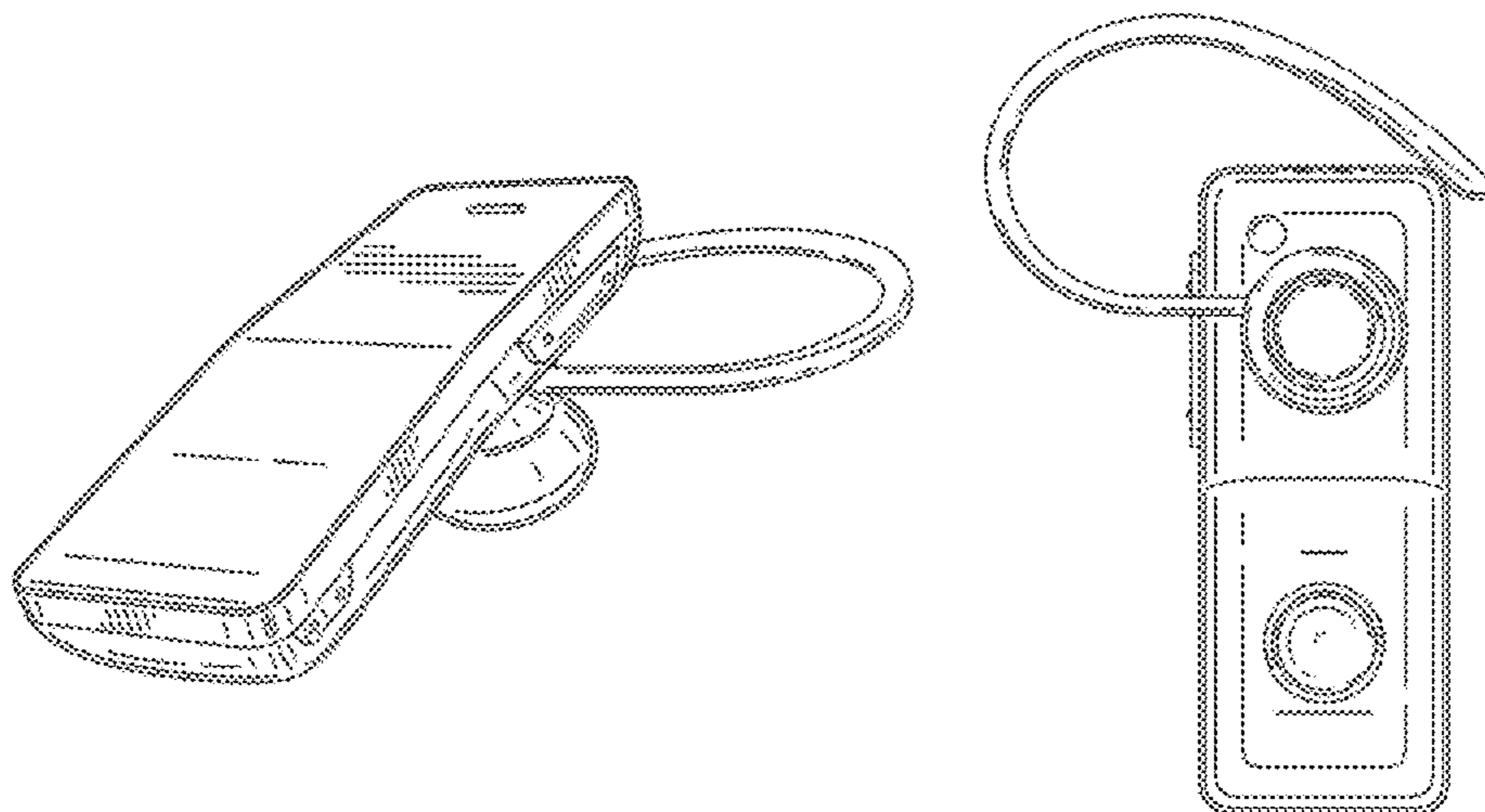
FIG. 12 is a top view thereof;

FIG. 13 is a front view thereof; and,

FIG. 14 is a rear view thereof.

The broken line showing of the connector region in FIGS. 1-7 is for environmental purposes only and forms no part of the claimed design.

1 Claim, 6 Drawing Sheets



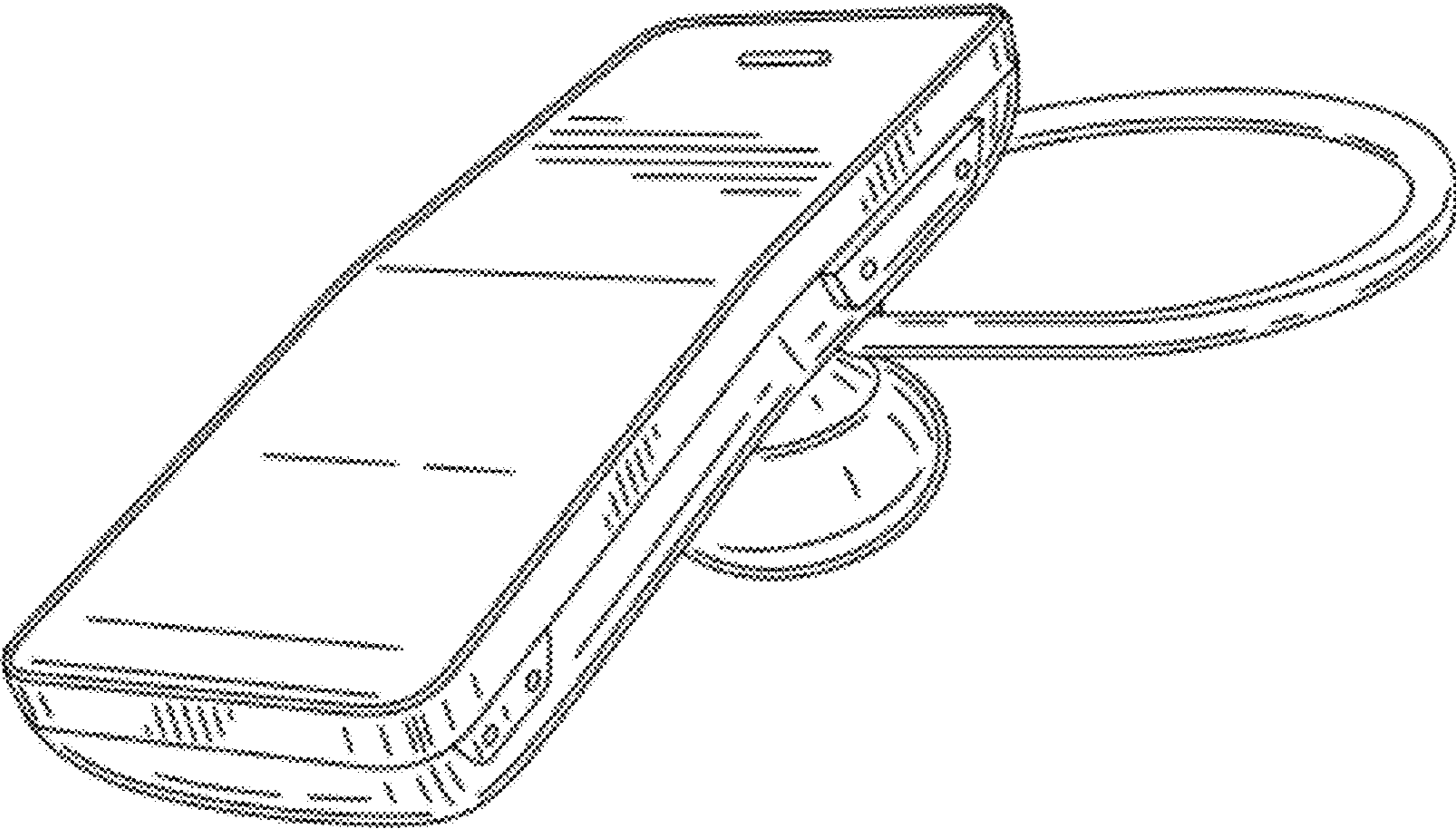


FIG. 1

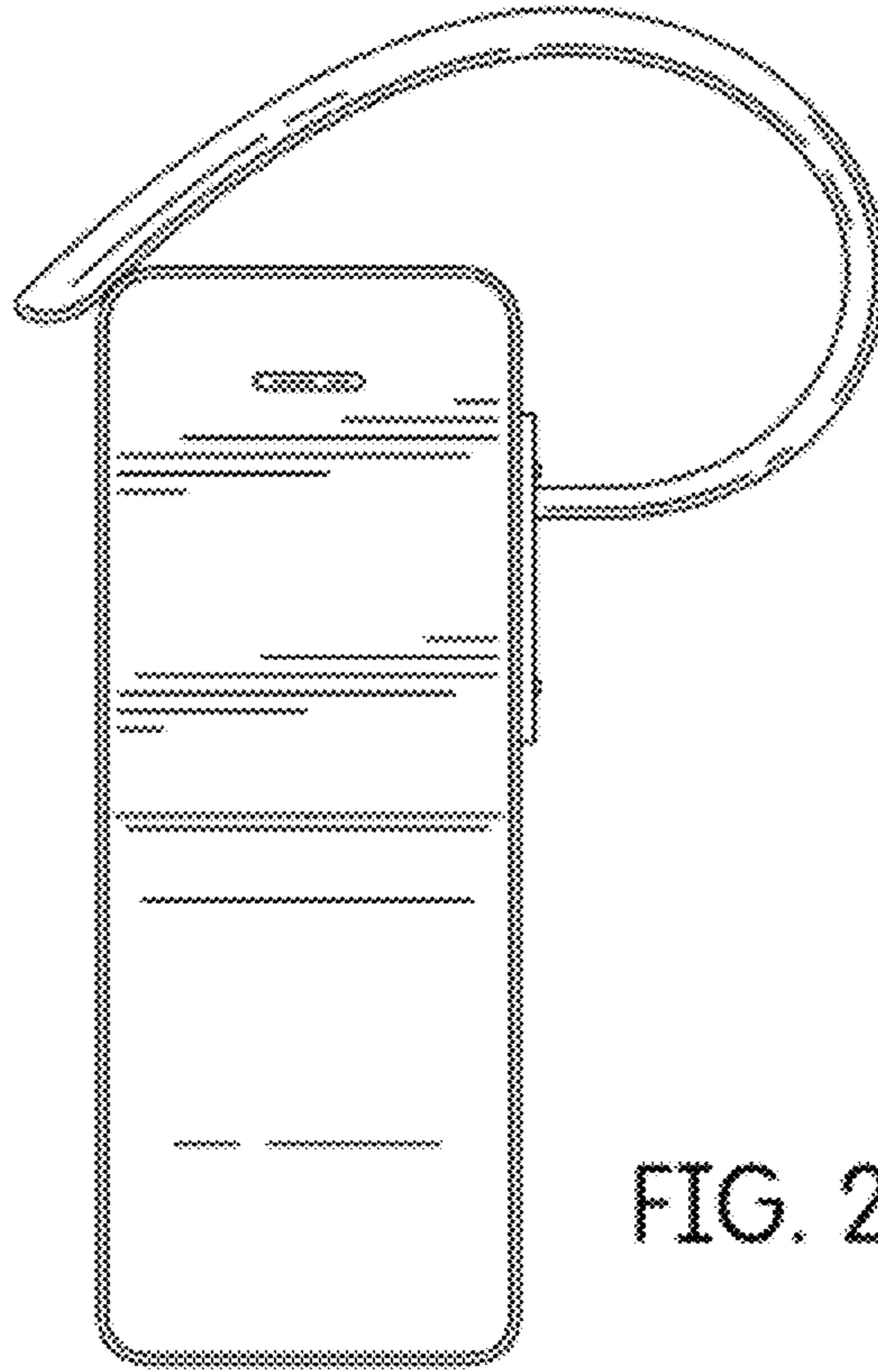


FIG. 2

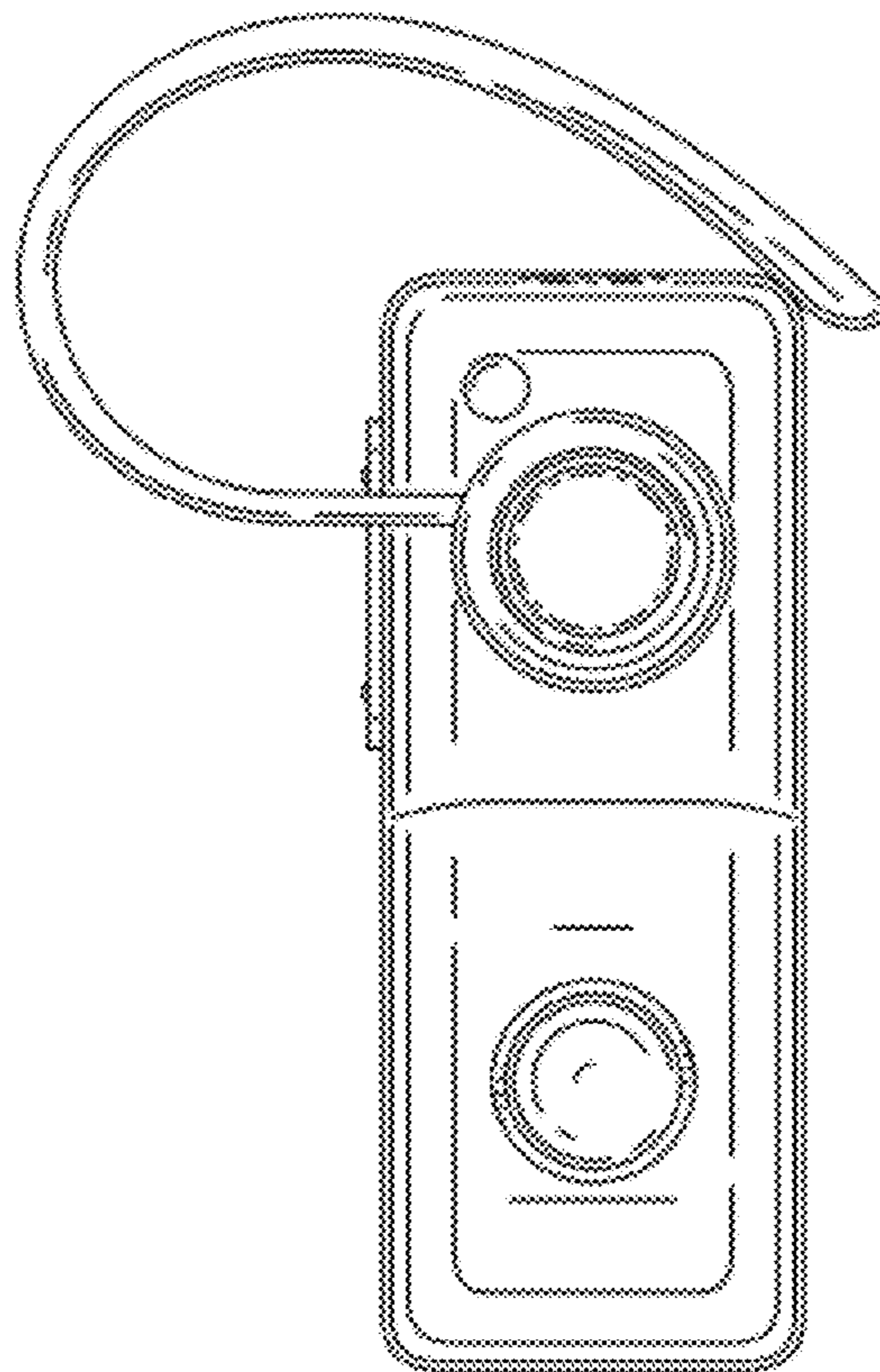


FIG. 3

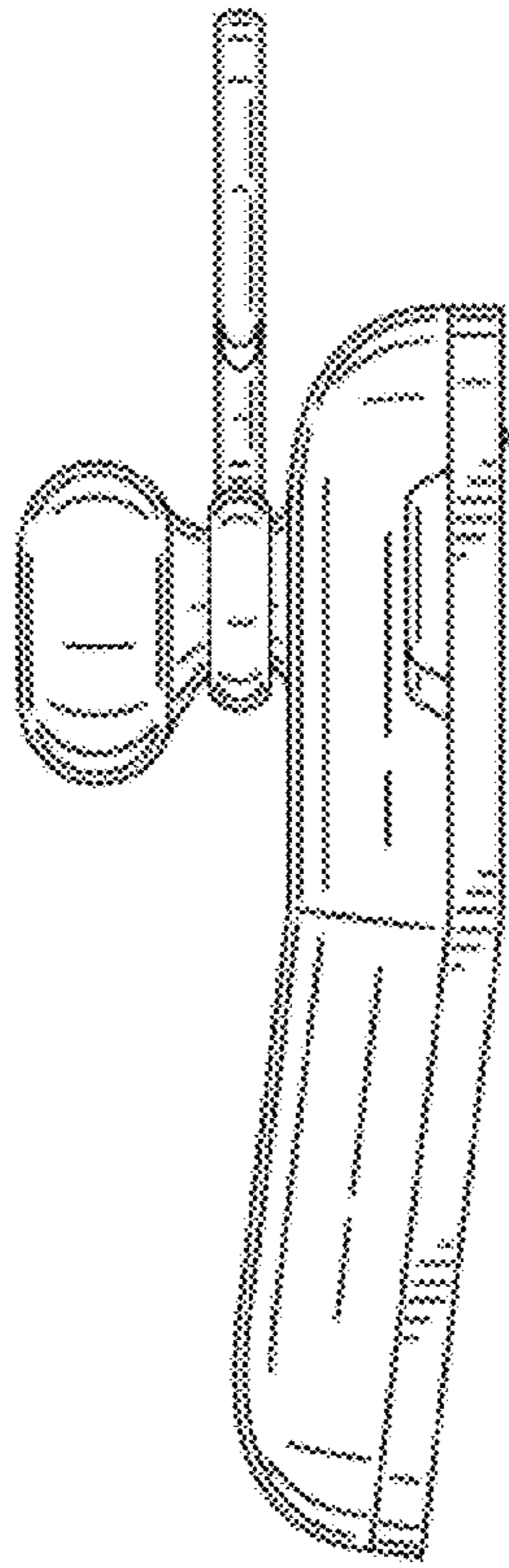


FIG. 4

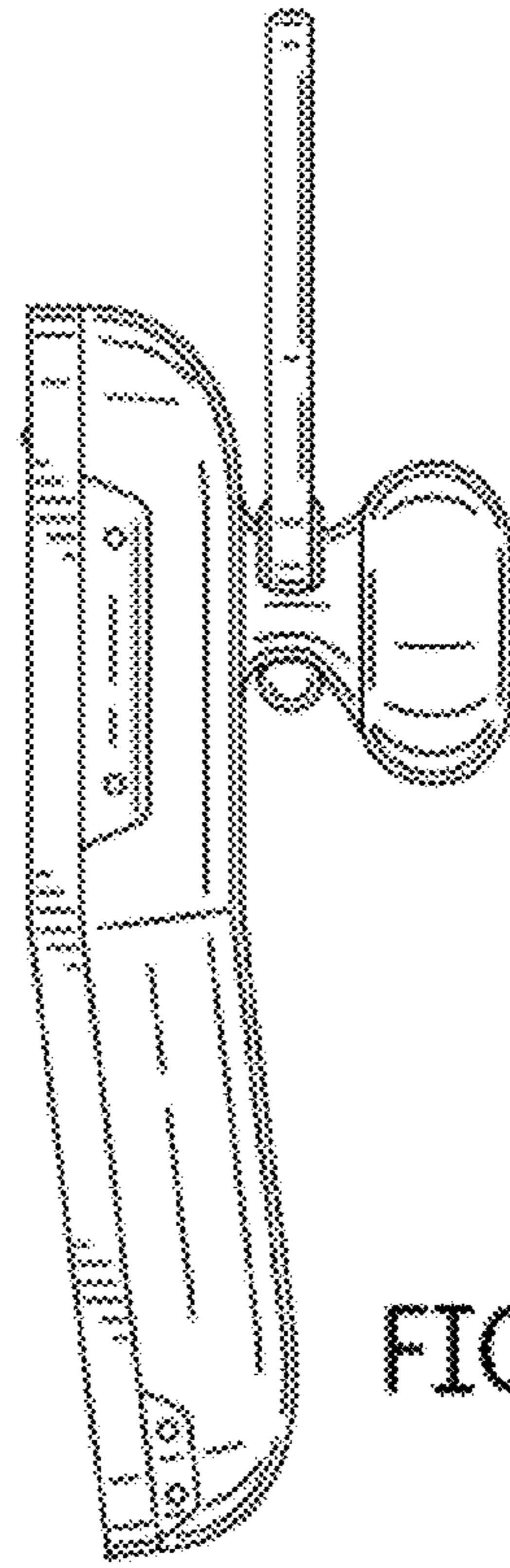


FIG. 5

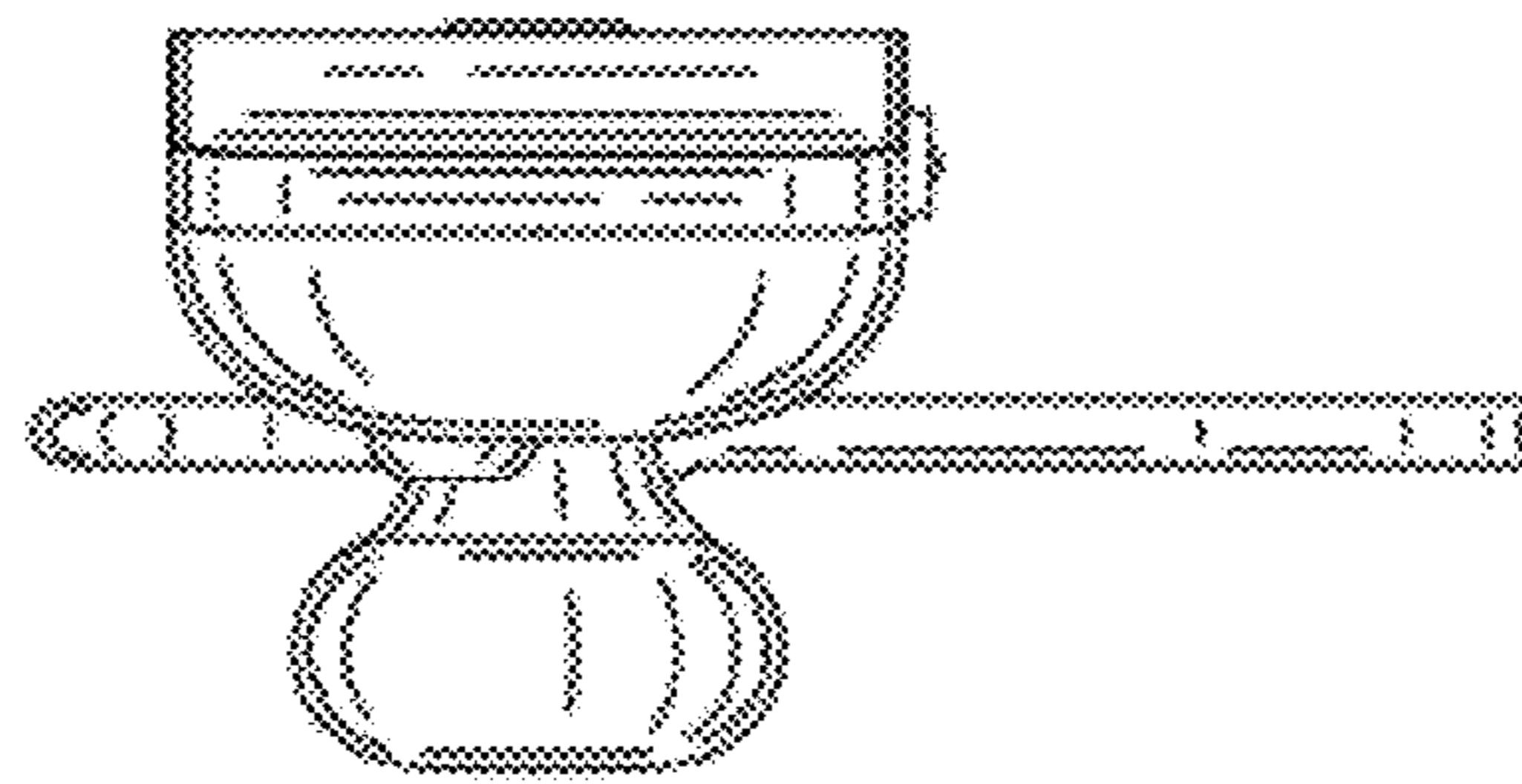


FIG. 6

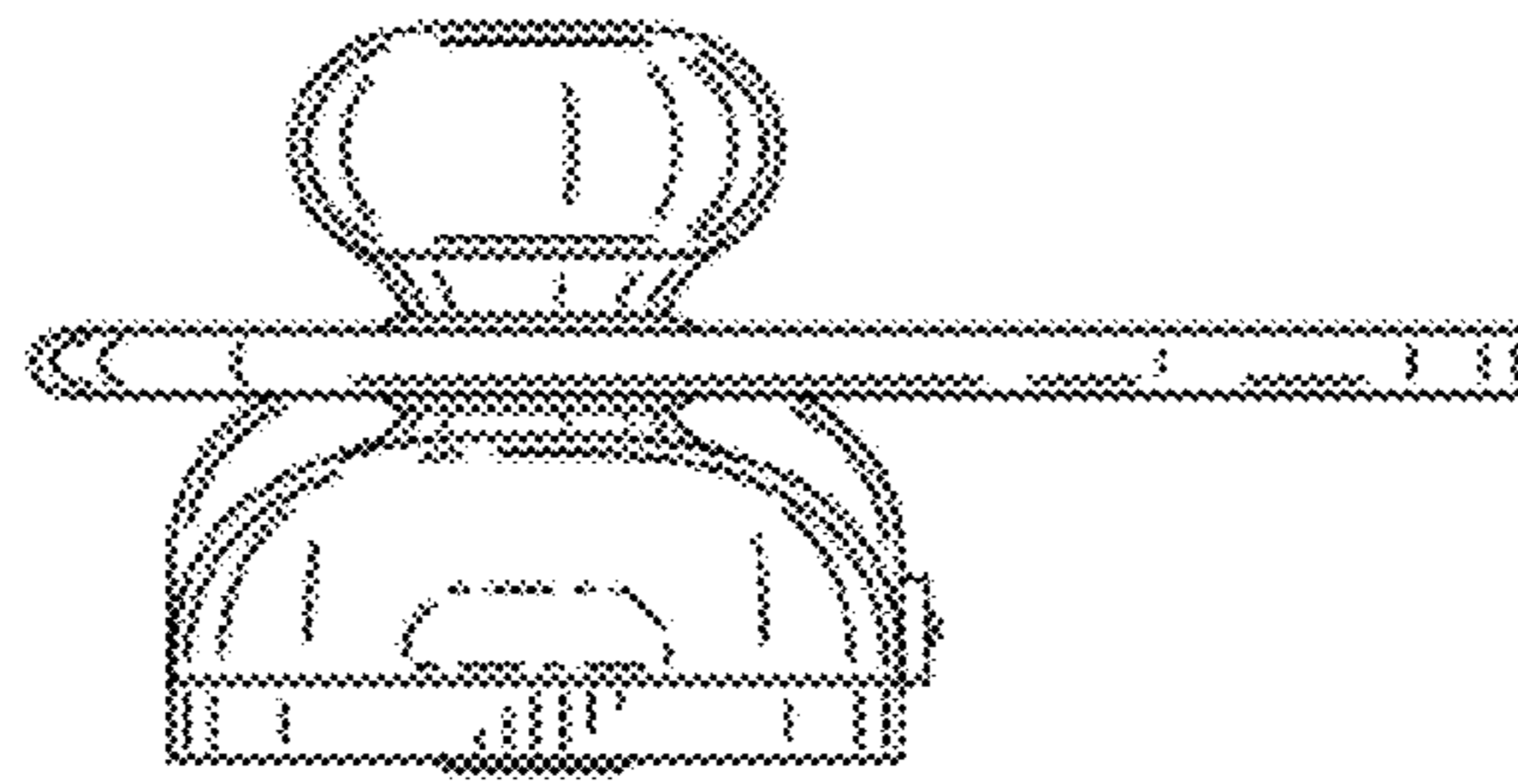


FIG. 7

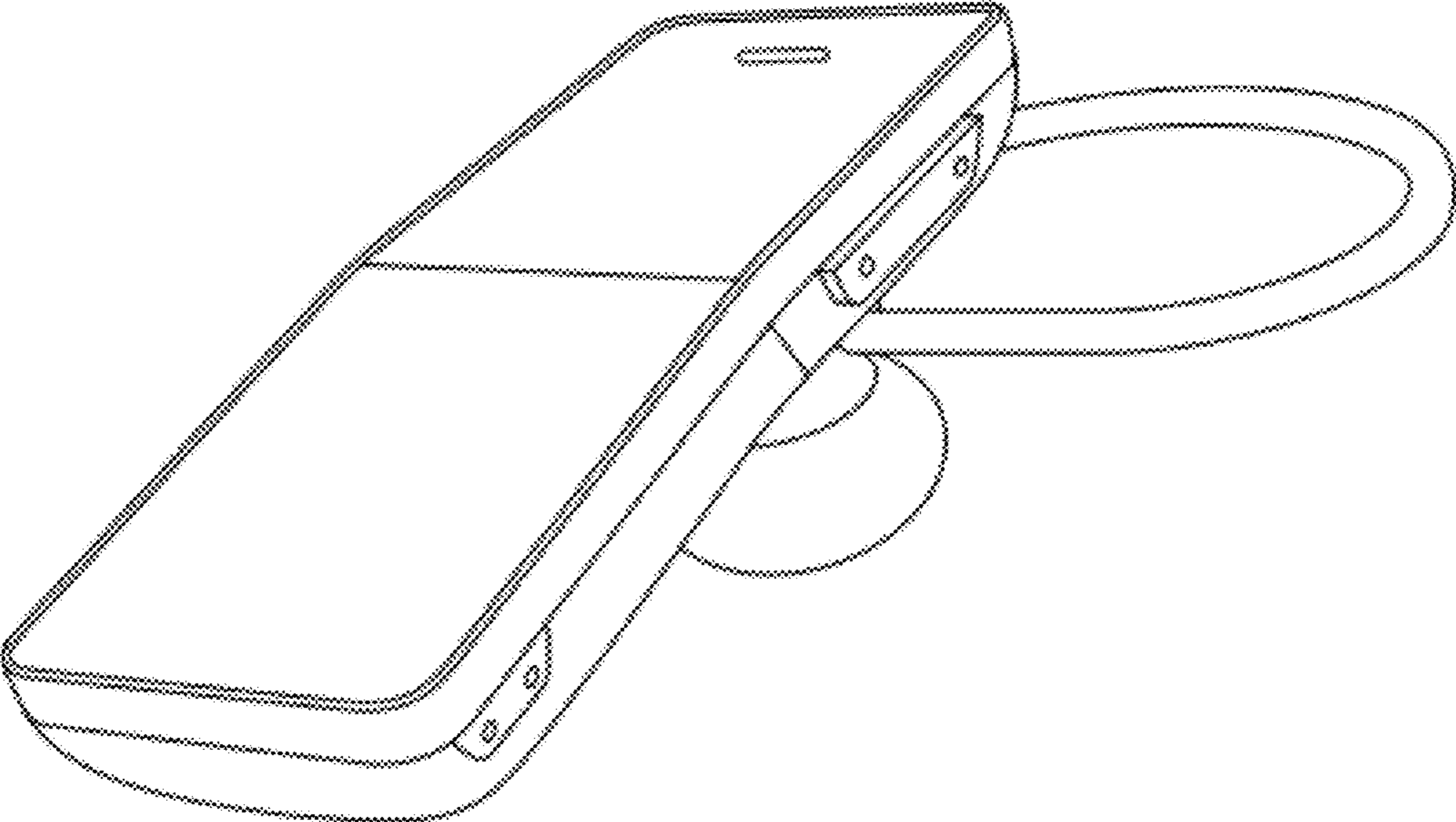


FIG. 8

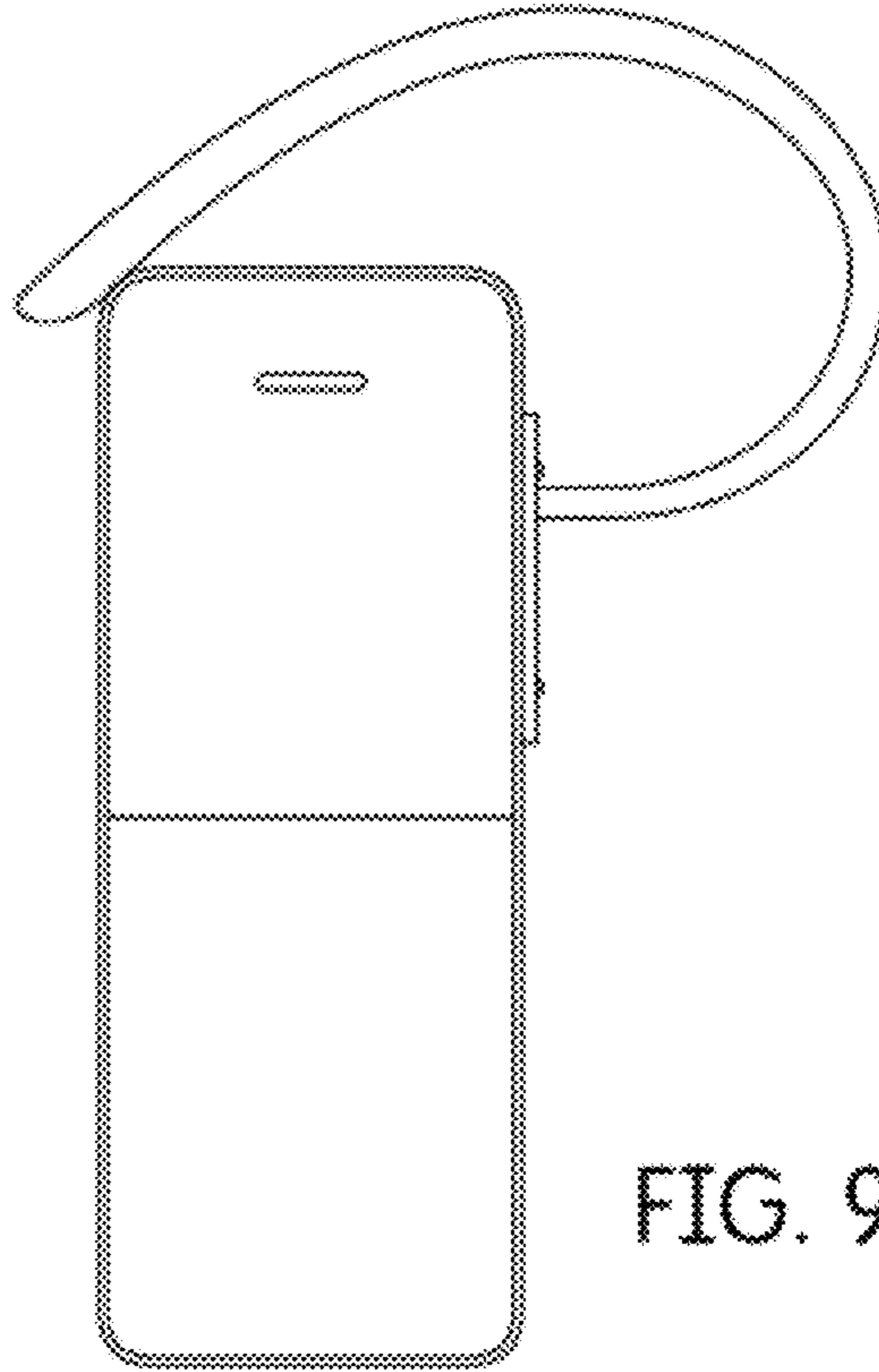


FIG. 9

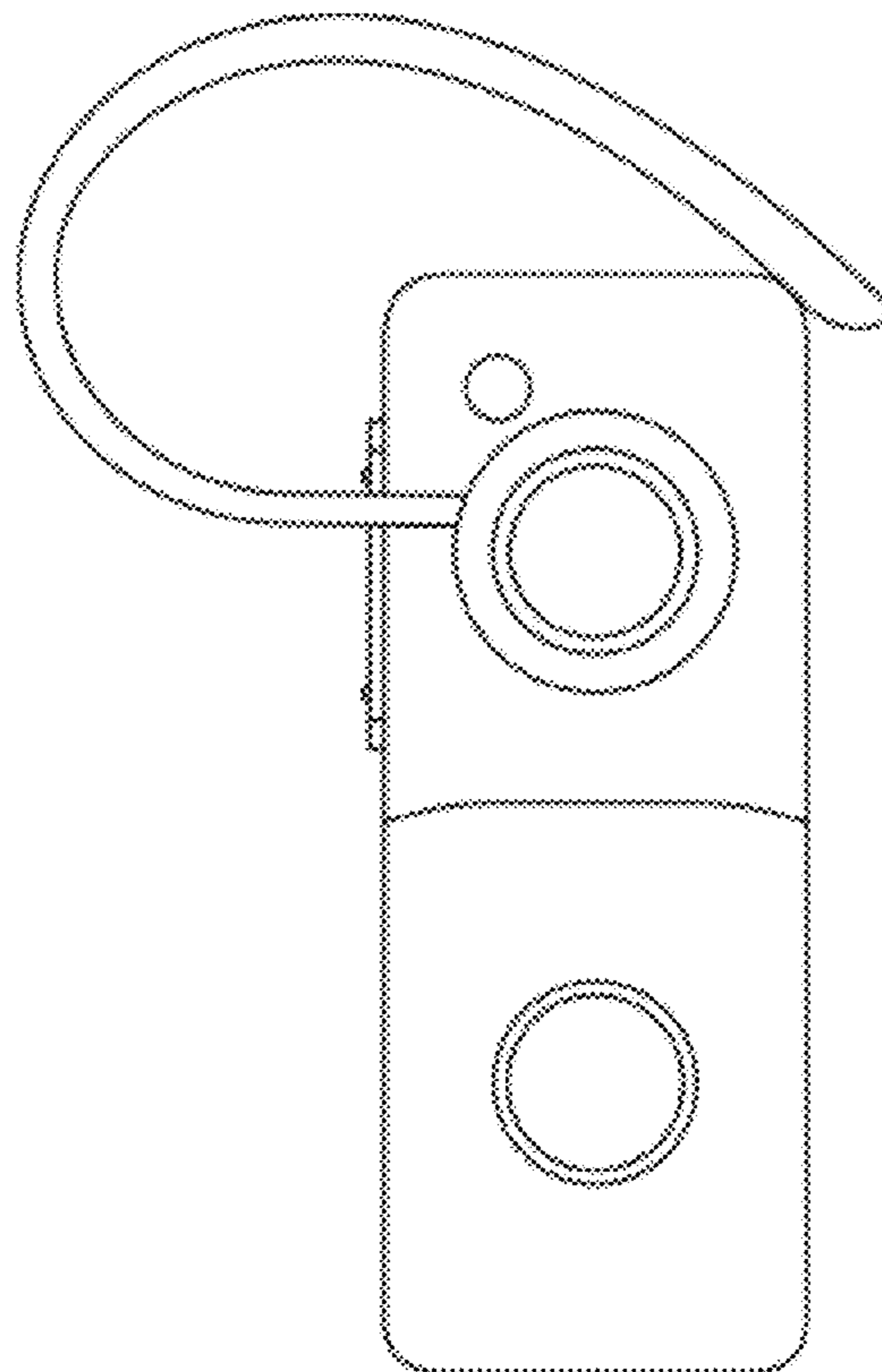


FIG. 10

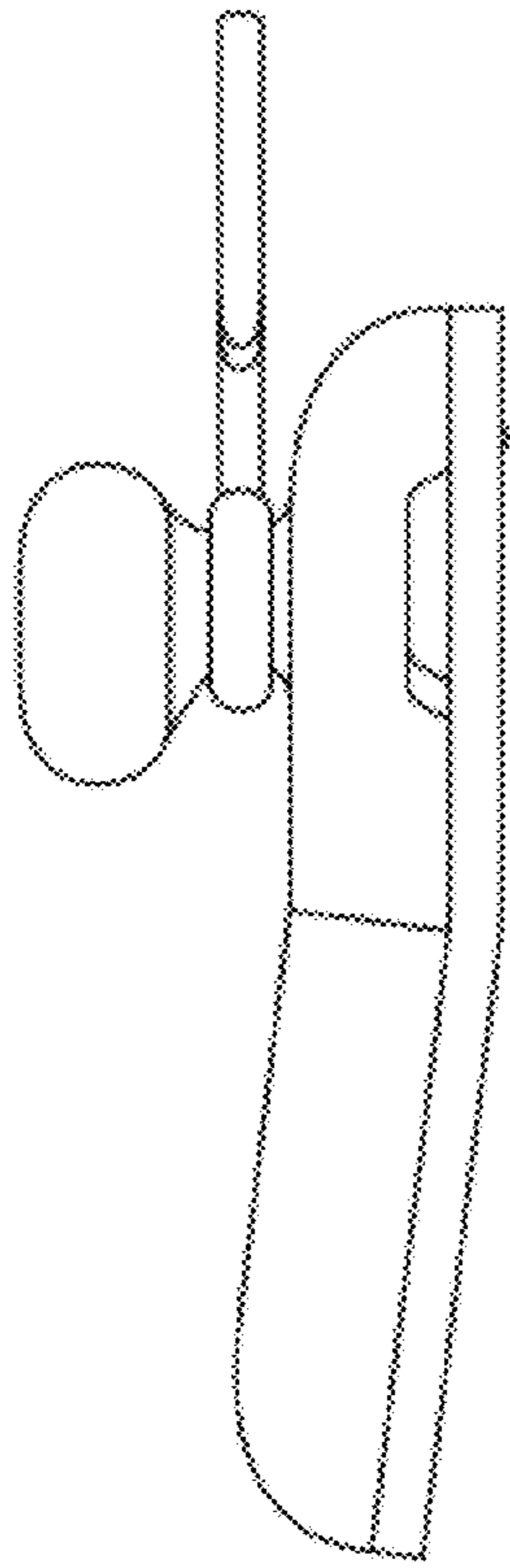


FIG. 11

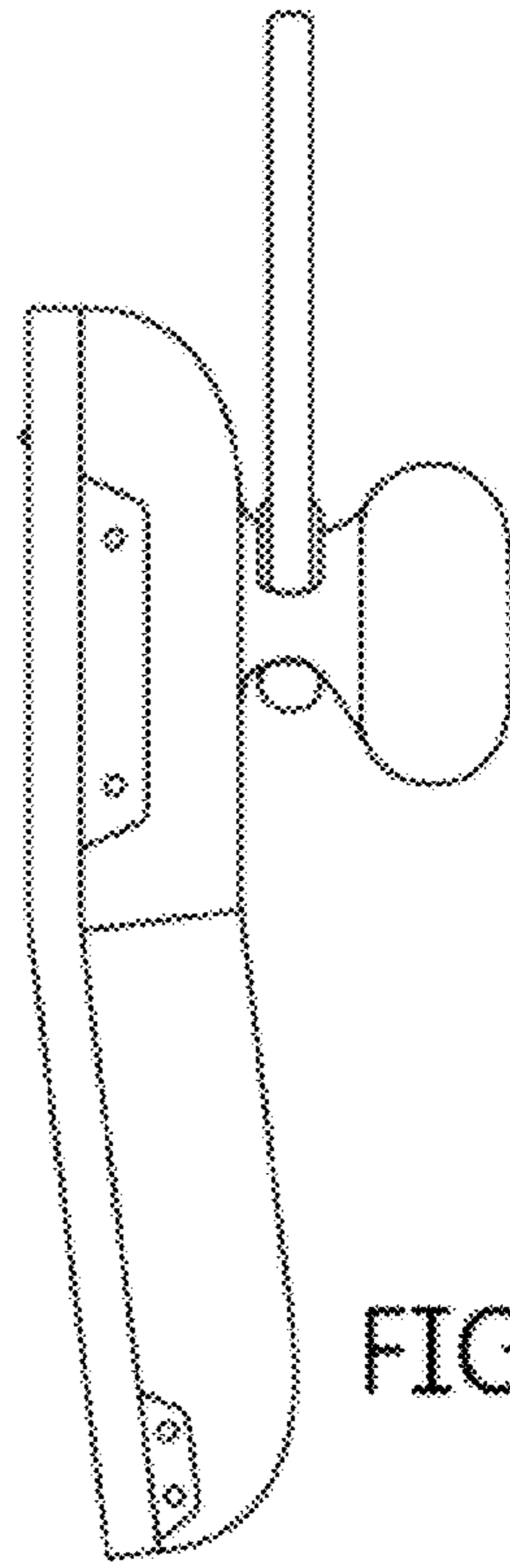


FIG. 12

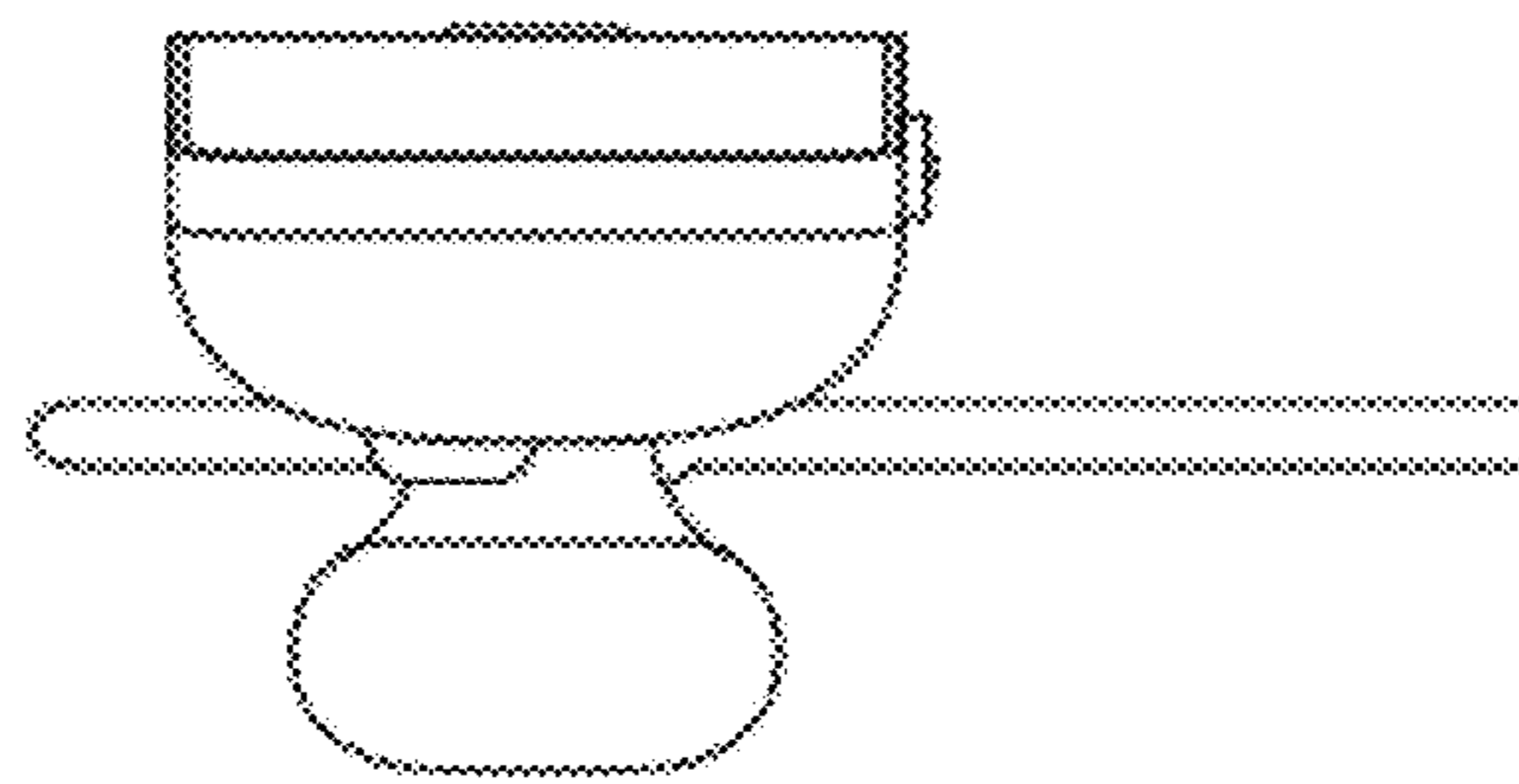


FIG. 13

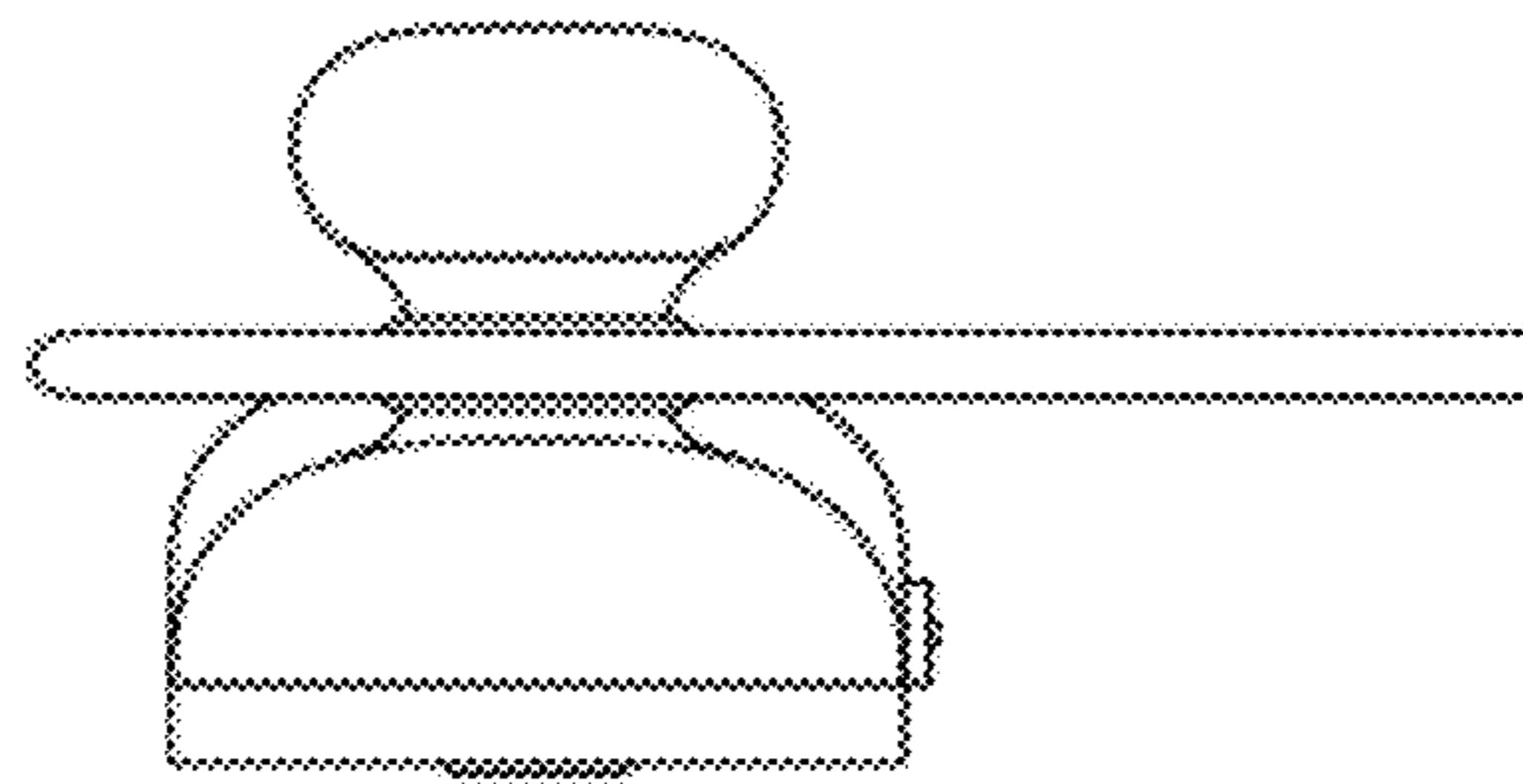


FIG. 14