



US00D655692S

(12) **United States Design Patent**
Silverman et al.

(10) **Patent No.:** **US D655,692 S**
(45) **Date of Patent:** **** Mar. 13, 2012**

(54) **COMPACT, PORTABLE, TEMPORARY MOUNT FOR PORTABLE DEVICES**

(75) Inventors: **Branden Silverman**, Canyon Country, CA (US); **Sandra Ramirez**, Canyon Country, CA (US)

(73) Assignee: **Brandra, LLC**, Encino, CA (US)

(**) Term: **14 Years**

(21) Appl. No.: **29/338,281**

(22) Filed: **Jun. 8, 2009**

(51) **LOC (9) Cl.** **14-03**

(52) **U.S. Cl.** **D14/217; D14/238.1; D14/251**

(58) **Field of Classification Search** D14/140, D14/142, 149, 155, 157, 188, 191-193, 203.1-203.8, D14/217, 240, 243, 251-253, 432-435.1, D14/447, 451, 496, 474, 480.1-480.7; D13/107, D13/108, 118; D3/218; 248/221.11, 309.1; 320/107, 110, 113-115; 361/600; 439/529, 439/534; 455/556.1-556.2, 557; D8/349, D8/355, 373, 380

See application file for complete search history.

(56) **References Cited**

U.S. PATENT DOCUMENTS

4,349,246	A	9/1982	Binner	
6,779,765	B2 *	8/2004	Zheng et al.	248/206.3
6,886,793	B2 *	5/2005	Snell	248/309.1
D530,079	S	10/2006	Thomas et al.	
7,140,586	B2	11/2006	Duncan et al.	
7,162,281	B2	1/2007	Kim	
D552,970	S *	10/2007	Brassard	D8/354
7,292,881	B2	11/2007	Seil et al.	
7,296,771	B2	11/2007	Kalis et al.	
D560,116	S *	1/2008	Brassard	D8/380
D596,393	S *	7/2009	Leung et al.	D3/218
D602,913	S *	10/2009	Han et al.	D14/217
D605,188	S *	12/2009	Martinez	D14/253
D610,587	S *	2/2010	Bandringa	D14/447
D614,613	S *	4/2010	Kim et al.	D14/253
D626,964	S *	11/2010	Richardson et al.	D14/447
2002/0190176	A1 *	12/2002	Louh	248/316.4

OTHER PUBLICATIONS

http://www.urbanbaby.com.au/epages/ecommm5000.sf/en_AU/?ObjectPath=/Shops/UrbanBaby/Products/ISASC/SubProducts/ISASC-0001, Animal Suction Clips, publication date unknown.
<http://www.edirectory.co.uk/pf/880/mia/pid/8494497>, Clear Suction Clip, publication date unknown.
<http://www.aircraftspruce.com/catalog/pspages/clips1.php>, Put-it Suction Clip, publication date unknown.
<http://www.aircraftspruce.com/catalog/avpages/rammounts.php>, RAM Mounting Systems, publication date unknown.
http://catalog.belkin.com/IWCatProductPage.process?Product_Id=262890, TuneDok for iPod Nano, publication date unknown.

* cited by examiner

Primary Examiner — Stella Reid

Assistant Examiner — Keli L Hill

(74) *Attorney, Agent, or Firm* — Barcelo, Harrison & Walker, LLP

(57) **CLAIM**

The ornamental design for a compact, portable, temporary mount for portable devices, as shown and described.

DESCRIPTION

FIG. 1 is a top, front and side perspective view of a compact, portable, temporary mount for portable devices, shown in a closed position, embodying our new design.

FIG. 2 is a top, front and side perspective view thereof, shown in an open position.

FIG. 3 is a top plan view thereof.

FIG. 4 is a bottom plan view thereof.

FIG. 5 is a side elevation view thereof.

FIG. 6 is an end elevation view thereof.

FIG. 7 is an alternate top, front and side perspective view thereof, shown in a closed position, with the upper suction cup detached; and,

FIG. 8 is an alternate top, front and side perspective view thereof, shown in an open position, with the upper suction cup detached.

The broken lines included in the drawings depict elements that are not part of the claimed design.

1 Claim, 4 Drawing Sheets

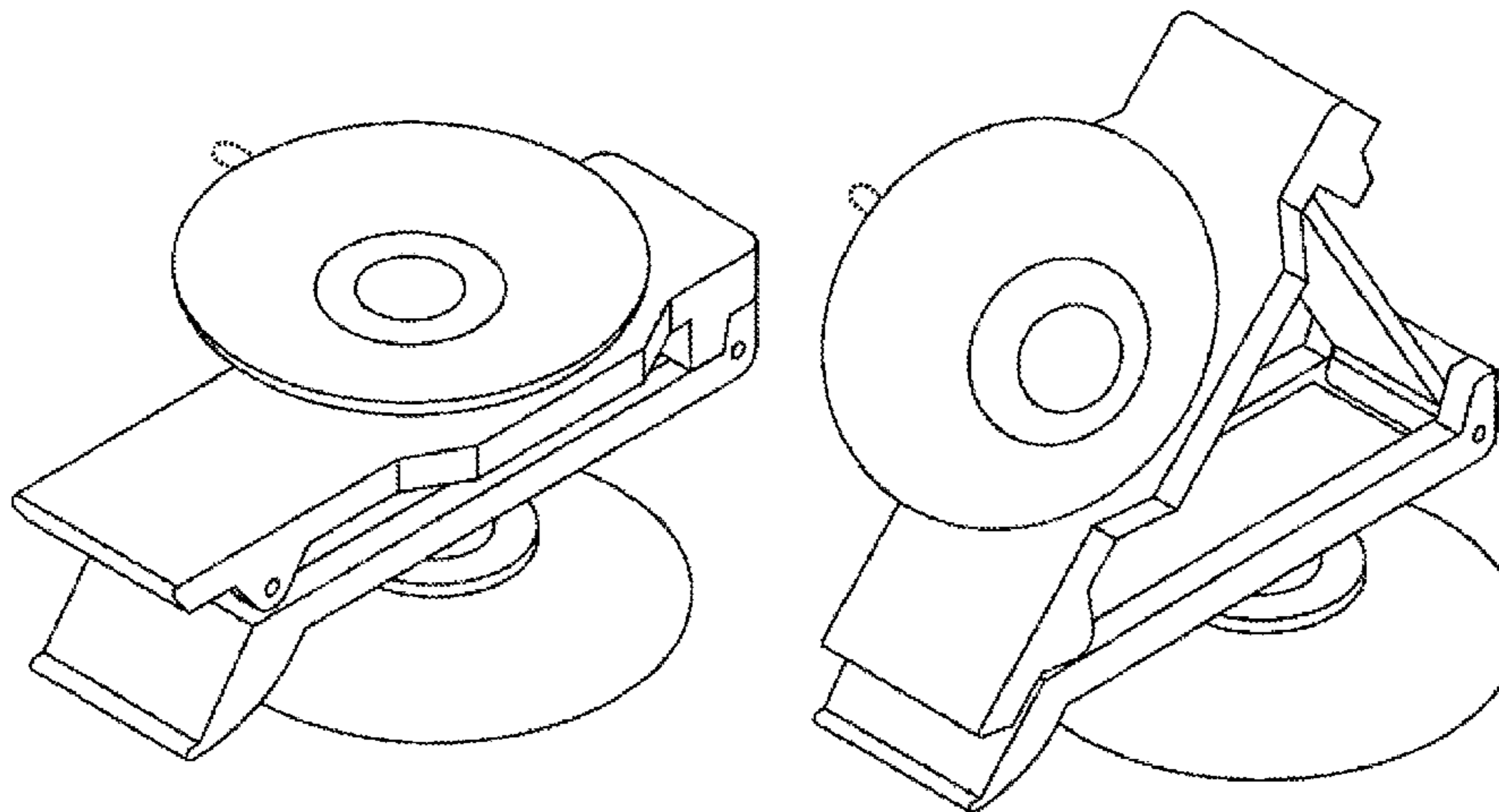


FIG. 1

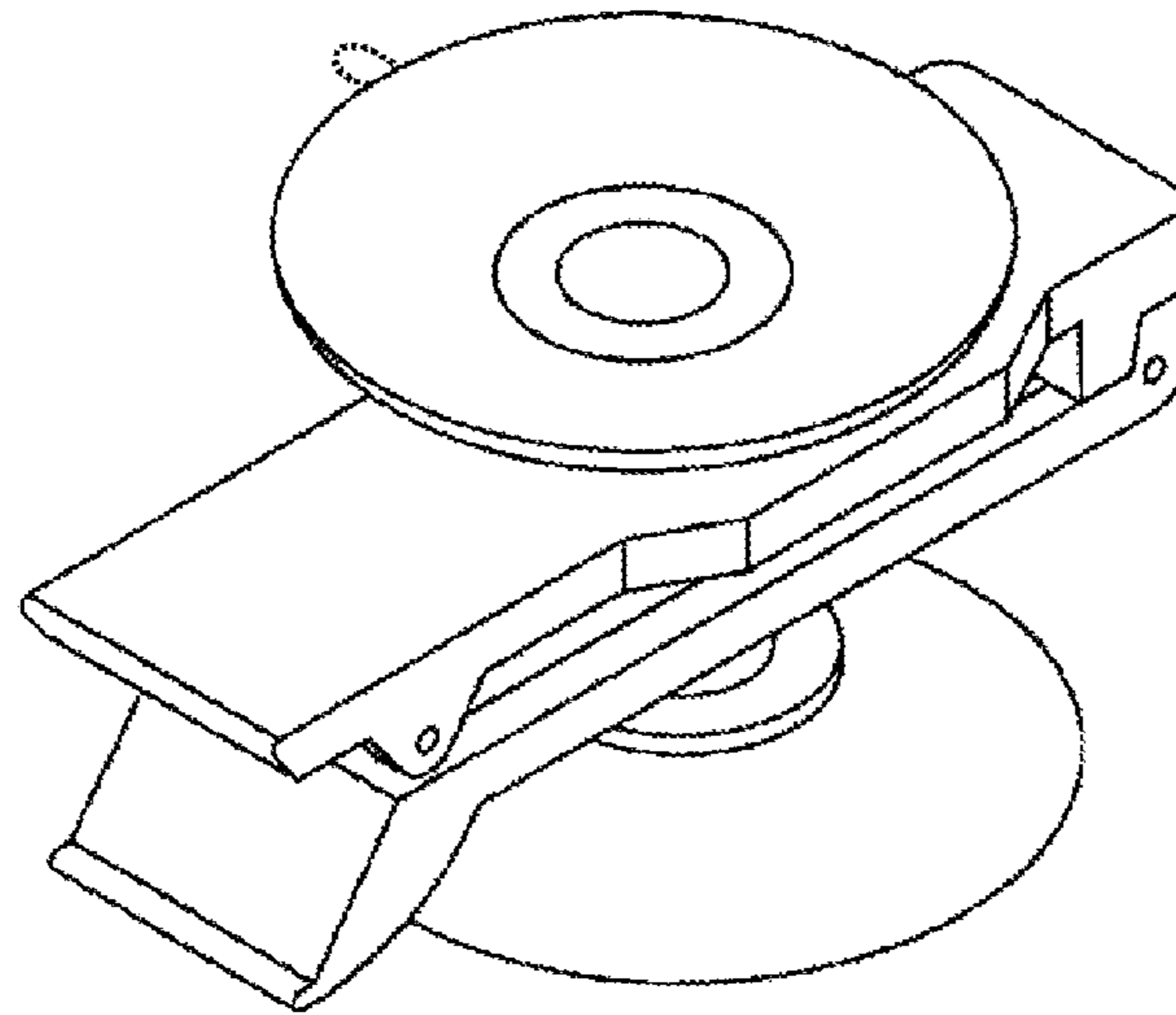
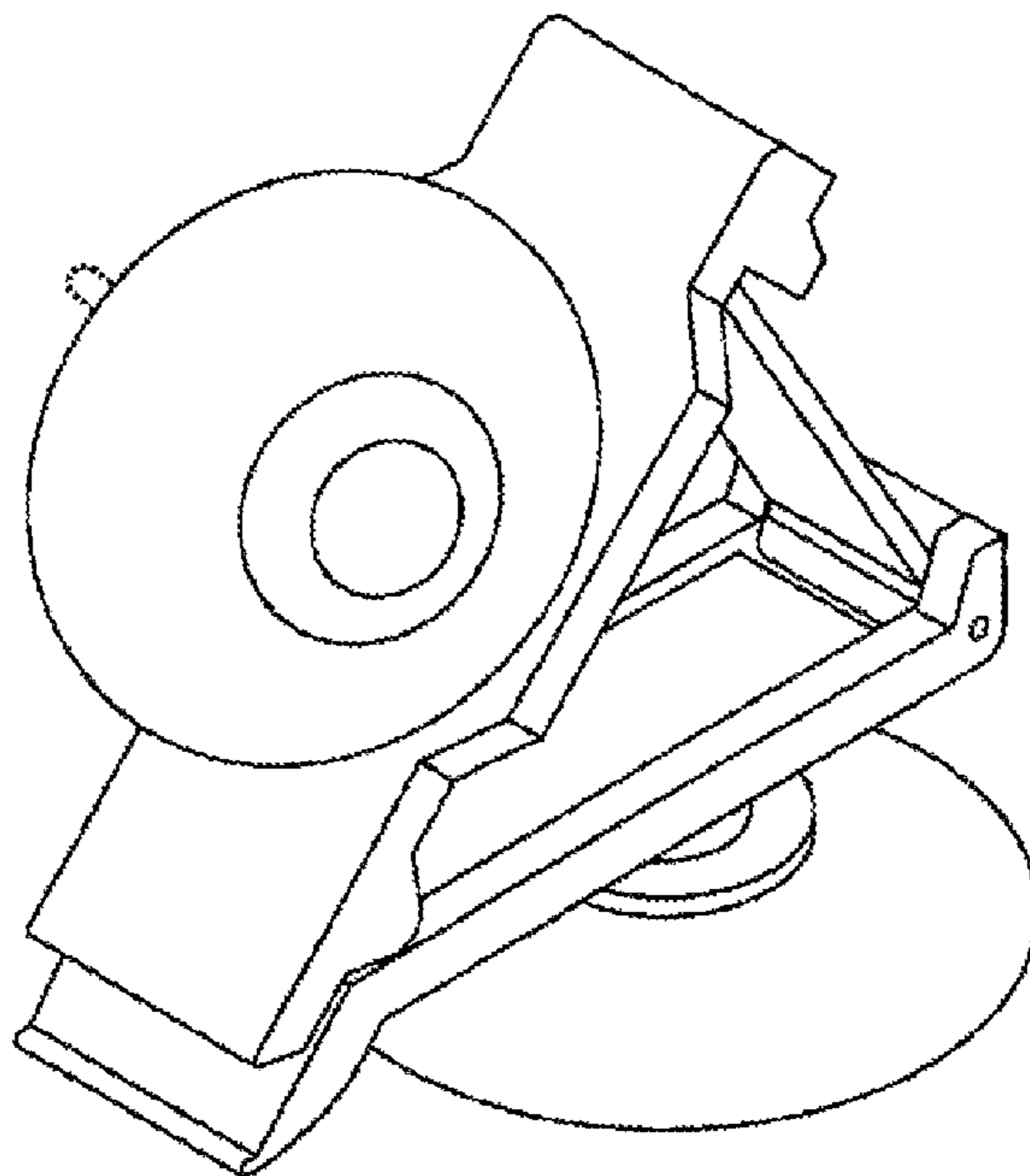


FIG. 2



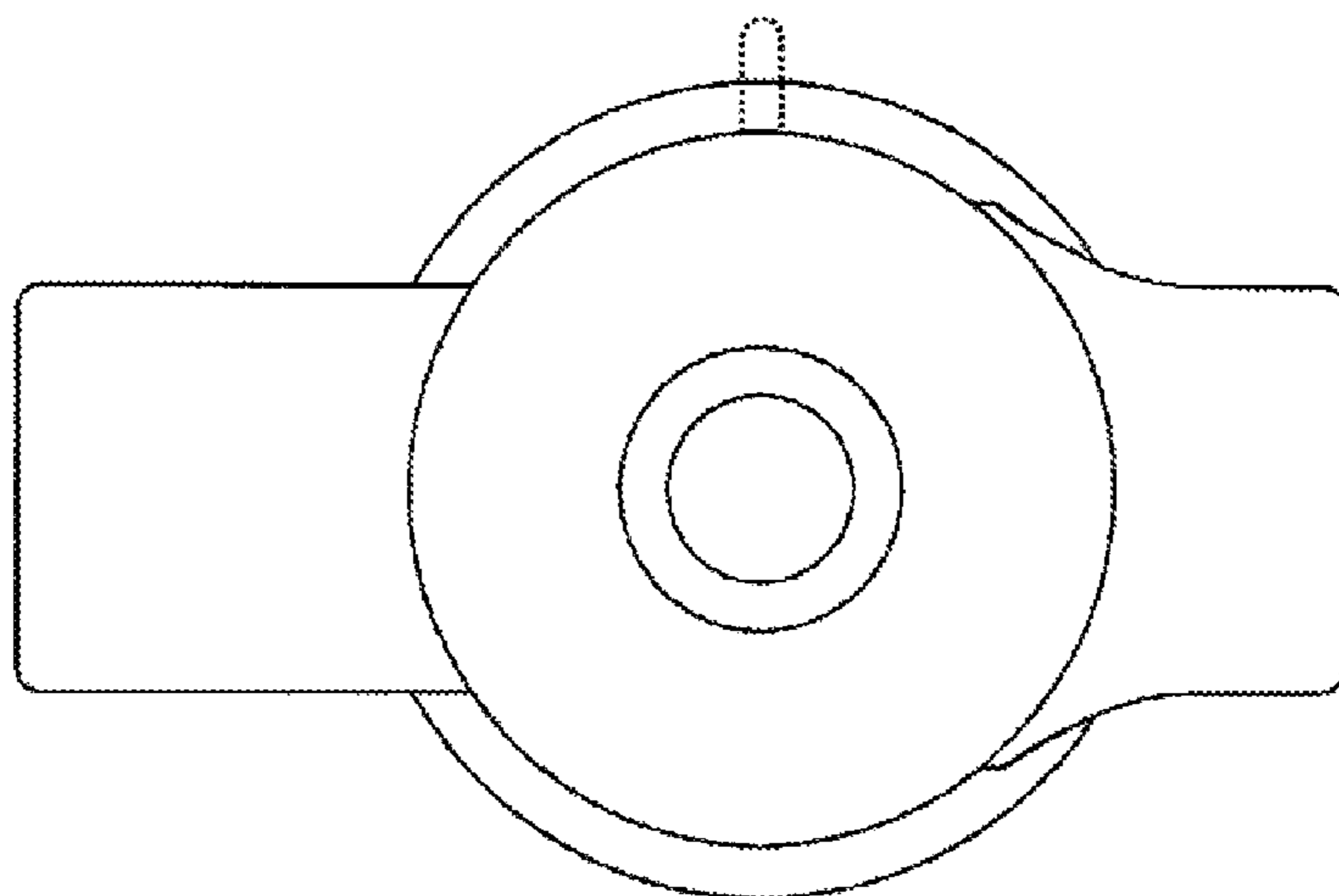


FIG. 3

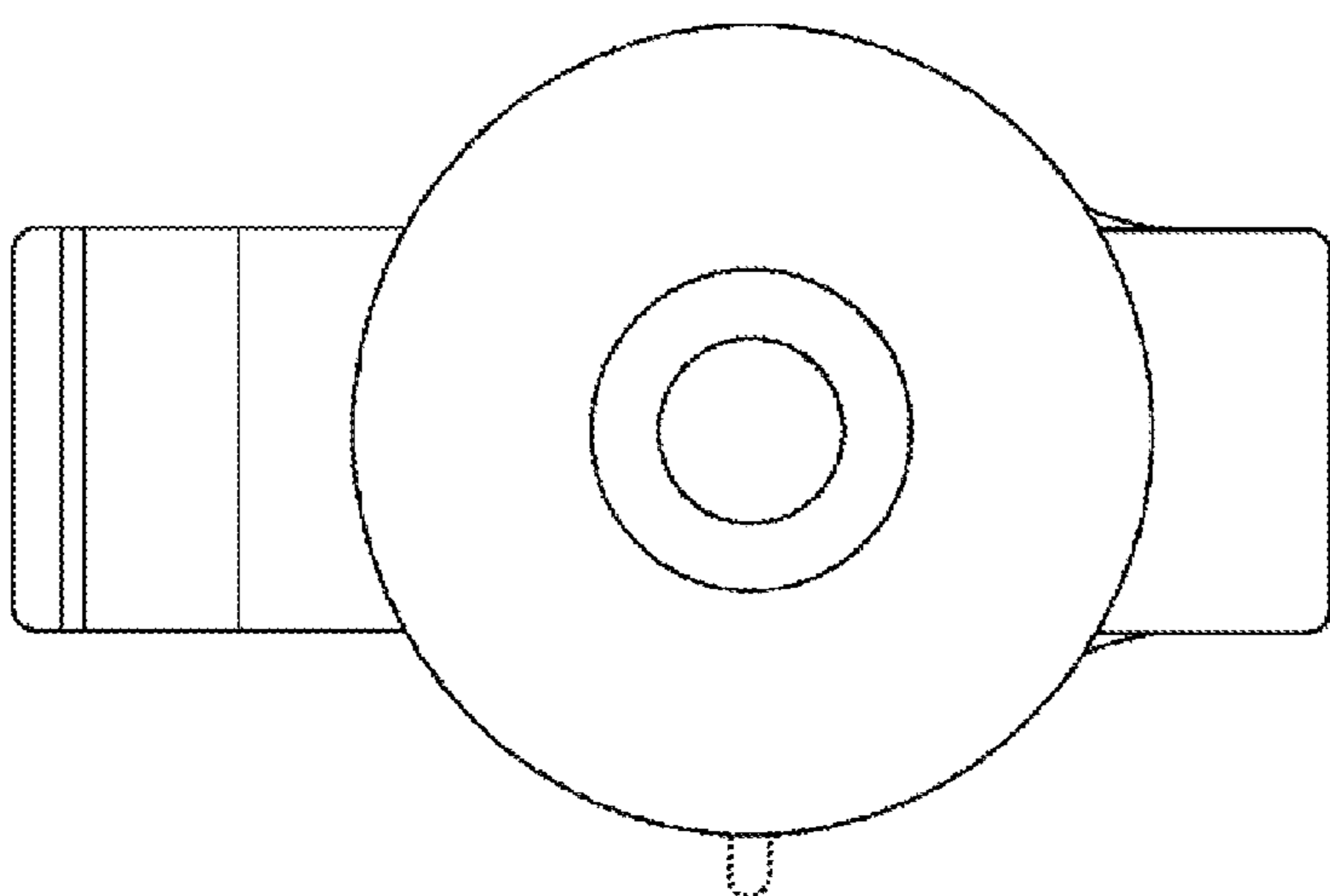


FIG. 4

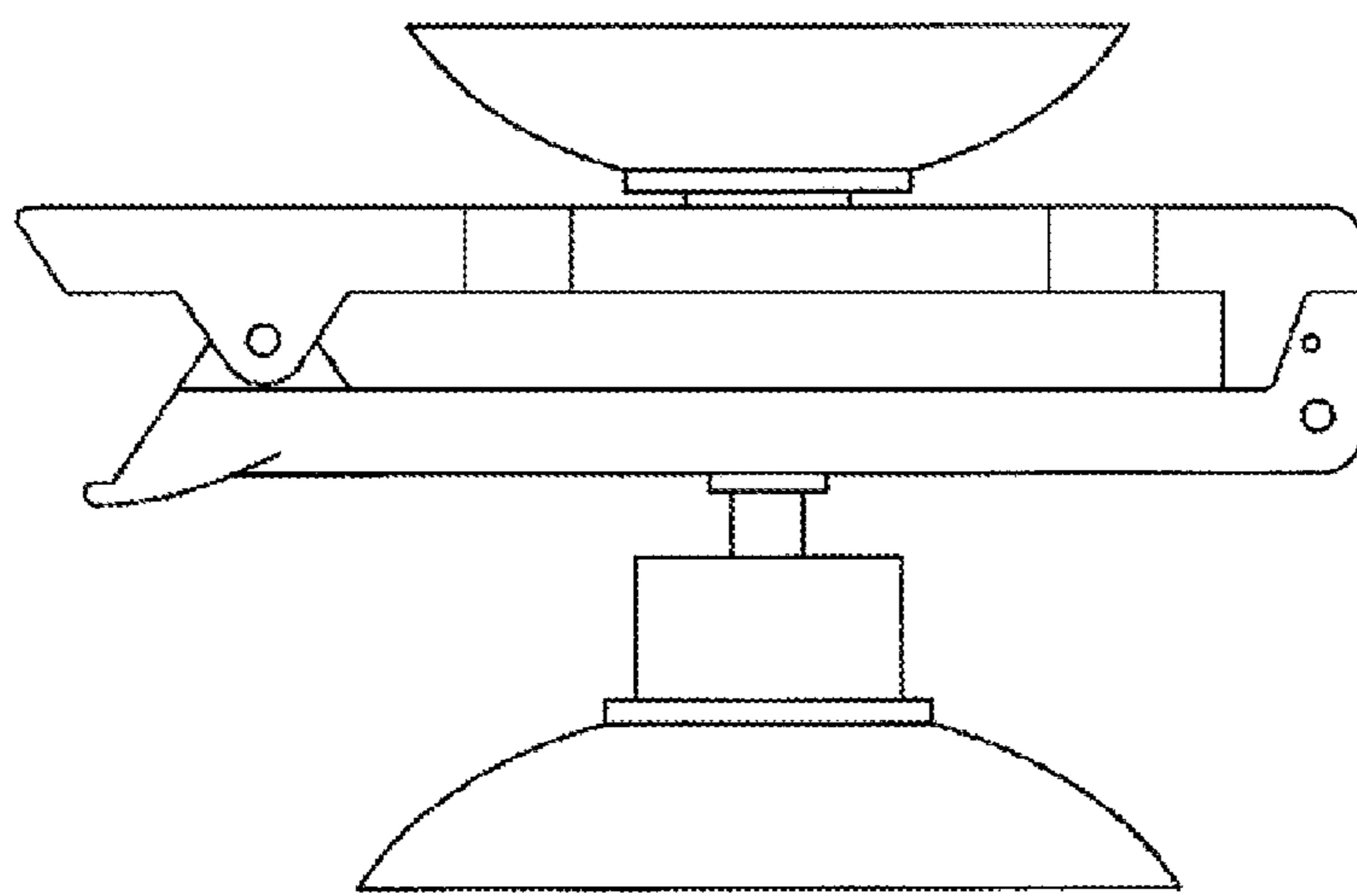


FIG. 5

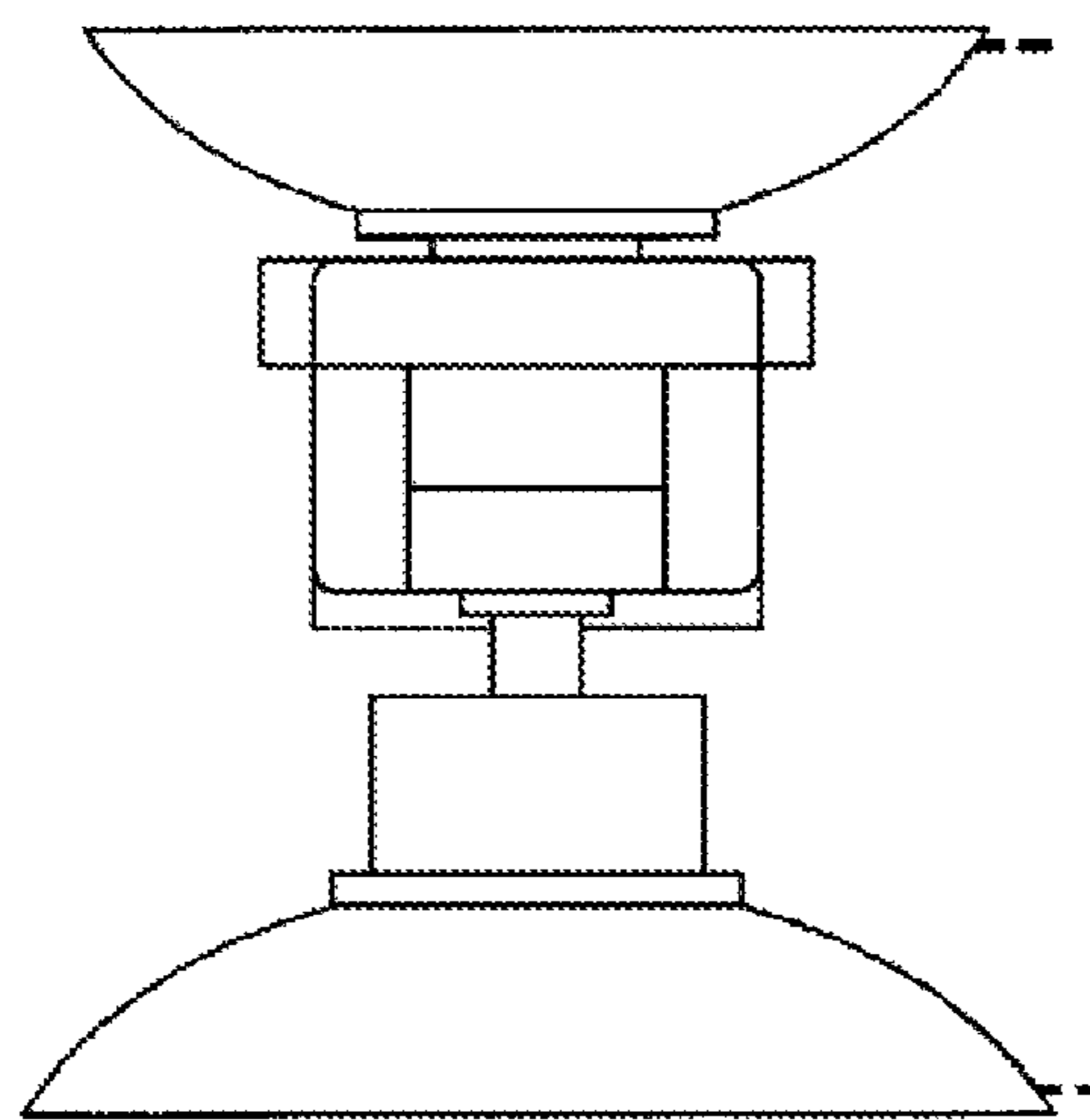


FIG. 6

