



US00D655688S

(12) **United States Design Patent**  
**Akana et al.**

(10) **Patent No.:** **US D655,688 S**  
(45) **Date of Patent:** **\*\* Mar. 13, 2012**

(54) **ELECTRONIC DEVICE**

(75) Inventors: **Jody Akana**, San Francisco, CA (US);  
**Bartley K. Andre**, Menlo Park, CA (US);  
**Jeremy Bataillou**, San Francisco, CA (US);  
**Daniel J. Coster**, San Francisco, CA (US);  
**Daniele De Iuliis**, San Francisco, CA (US);  
**Evans Hankey**, San Francisco, CA (US);  
**Richard P. Howarth**, San Francisco, CA (US);  
**Jonathan P. Ive**, San Francisco, CA (US);  
**Duncan Robert Kerr**, San Francisco, CA (US);  
**Shin Nishibori**, Portola Valley, CA (US);  
**Matthew Dean Rohrbach**, San Francisco, CA (US);  
**Peter Russell-Clarke**, San Francisco, CA (US);  
**Christopher J. Stringer**, Woodside, CA (US);  
**Eugene Antony Whang**, San Francisco, CA (US);  
**Rico Zorkendorfer**, San Francisco, CA (US)

(73) Assignee: **Apple Inc.**, Cupertino, CA (US)

(\*\*) Term: **14 Years**

(21) Appl. No.: **29/400,904**

(22) Filed: **Sep. 2, 2011**

**Related U.S. Application Data**

(60) Continuation of application No. 29/386,812, filed on Mar. 4, 2011, now Pat. No. Des. 644,624, which is a continuation of application No. 29/366,863, filed on Jul. 30, 2010, now Pat. No. Des. 634,297, which is a division of application No. 29/343,062, filed on Sep. 4, 2009, now Pat. No. Des. 622,696.

(51) **LOC (9) Cl.** ..... **14-03**

(52) **U.S. Cl.** ..... **D14/203.1; D14/496; D14/203.7**

(58) **Field of Classification Search** ..... D14/496,  
D14/401, 435, 474, 483, 217, 137, 138, 160,  
D14/168, 356, 203.1–203.8, 507, 144; 345/156,  
345/169, 173–179, 905; 715/727–729, 864;  
710/1, 5, 8; 713/1, 600; 455/1.1, 1.7, 73,  
455/344–347, 93, 95, 3.01–3.06, 550.1, 573.1;  
370/342–344; 369/1, 2, 6–12; 463/43–47;  
273/148 B; D16/208; 348/207.1, 207.11,  
348/207.99, 208.15, 373–376

See application file for complete search history.

(56) **References Cited**

U.S. PATENT DOCUMENTS

6,122,526 A \* 9/2000 Parulski et al. .... 455/556.1

(Continued)

*Primary Examiner* — Prabhakar Deshmukh

(74) *Attorney, Agent, or Firm* — Sterne, Kessler, Goldstein & Fox PLLC

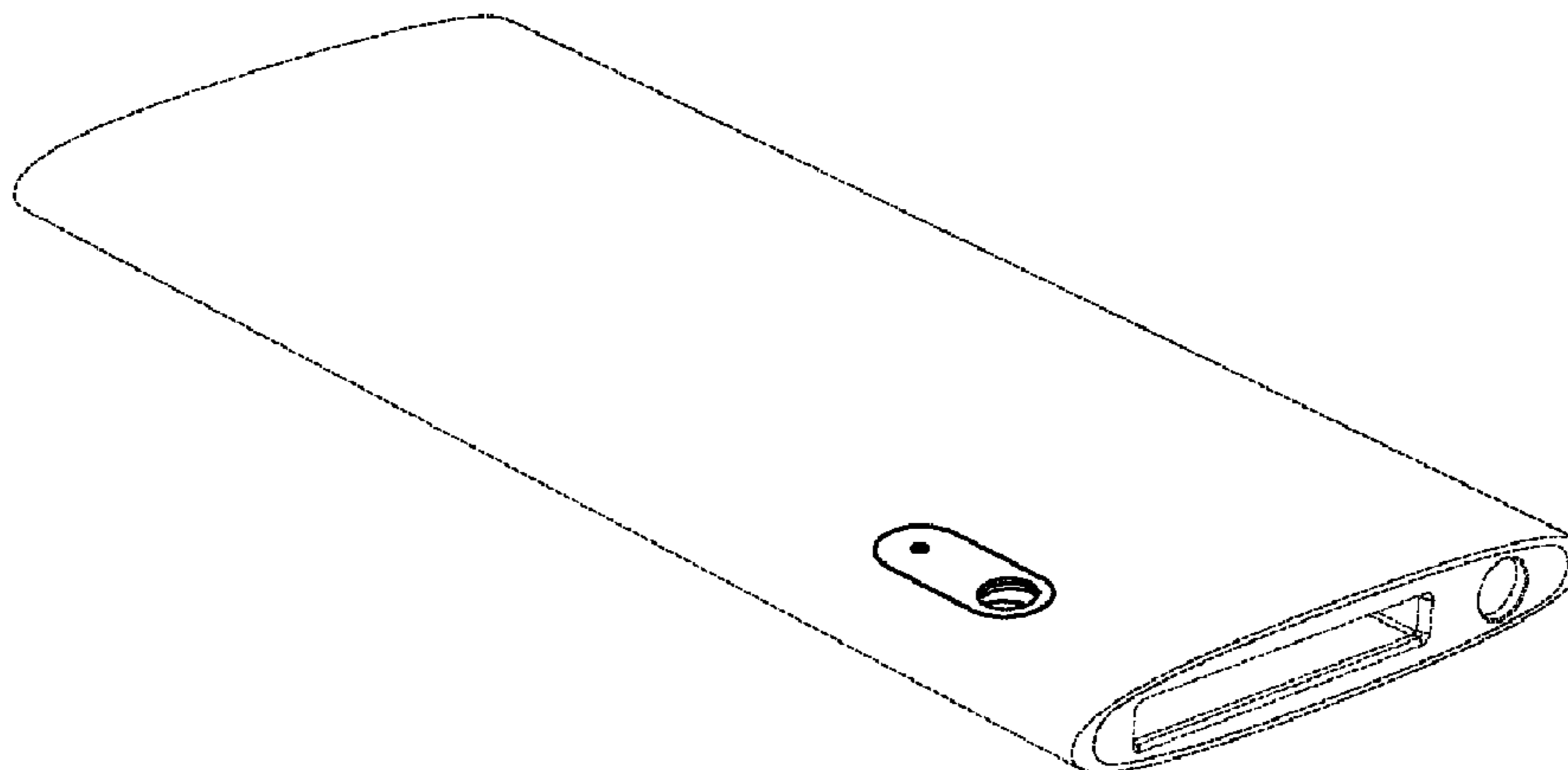
(57) **CLAIM**

The ornamental design for an electronic device, as shown and described.

**DESCRIPTION**

FIG. 1 is a bottom front perspective view of an electronic device showing our new design;  
FIG. 2 is a bottom rear perspective view thereof;  
FIG. 3 is front view thereof;  
FIG. 4 is rear view thereof;  
FIG. 5 is a top plan view thereof;  
FIG. 6 is a left side view thereof;  
FIG. 7 is a right side view thereof;  
FIG. 8 is bottom plan view thereof;  
FIG. 9 is a top rear perspective view thereof; and,  
FIG. 10 is a top front perspective view thereof.  
The broken lines in the Figures show portions of the electronic device which form no part of the claimed design.

**1 Claim, 5 Drawing Sheets**



# US D655,688 S

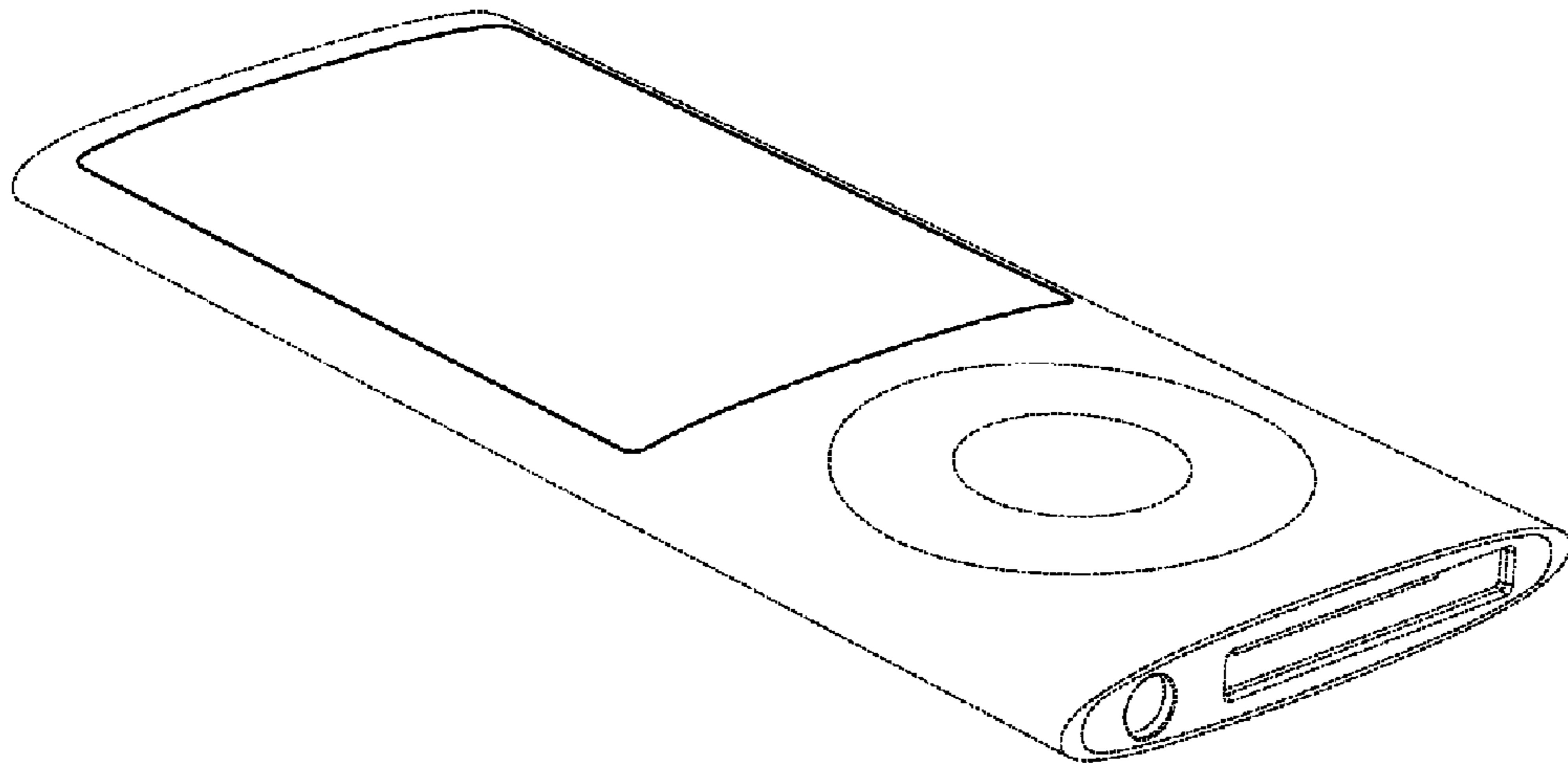
Page 2

---

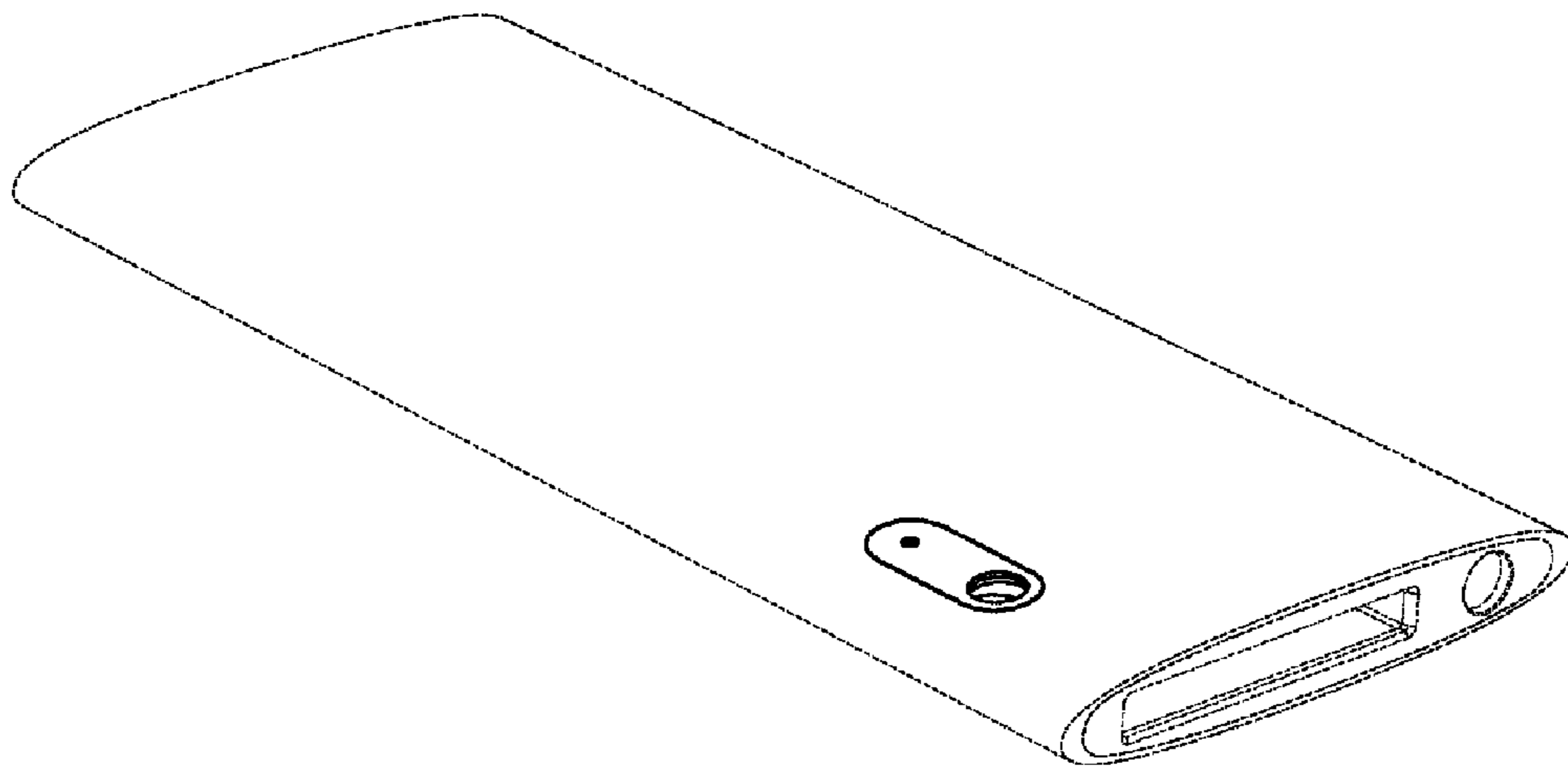
## U.S. PATENT DOCUMENTS

|                |         |                    |         |              |        |                   |           |
|----------------|---------|--------------------|---------|--------------|--------|-------------------|-----------|
| D473,207 S     | 4/2003  | Tanio              |         | D525,986 S   | 8/2006 | Kim               |           |
| 6,558,835 B1 * | 5/2003  | Kurusu et al. .... | 429/159 | D536,691 S   | 2/2007 | Park              |           |
| D481,684 S     | 11/2003 | Bomar              |         | D565,596 S   | 4/2008 | Kim               |           |
| D490,068 S     | 5/2004  | Chen               |         | D567,819 S   | 4/2008 | Devericks et al.  |           |
| D499,383 S     | 12/2004 | Bomar              |         | D570,346 S   | 6/2008 | Suk et al.        |           |
| D507,277 S     | 7/2005  | Sitoh              |         | D613,706 S   | 4/2010 | He                |           |
| D510,584 S     | 10/2005 | Tierney            |         | D622,696 S * | 8/2010 | Akana et al. .... | D14/203.7 |
| D511,342 S     | 11/2005 | Chien              |         | D634,297 S * | 3/2011 | Akana et al. .... | D14/203.1 |
| D516,579 S     | 3/2006  | Nakamura           |         | D635,123 S * | 3/2011 | Andre et al. .... | D14/203.3 |
| 7,013,164 B2 * | 3/2006  | Lin .....          | 455/557 | D644,624 S * | 9/2011 | Akana et al. .... | D14/203.1 |

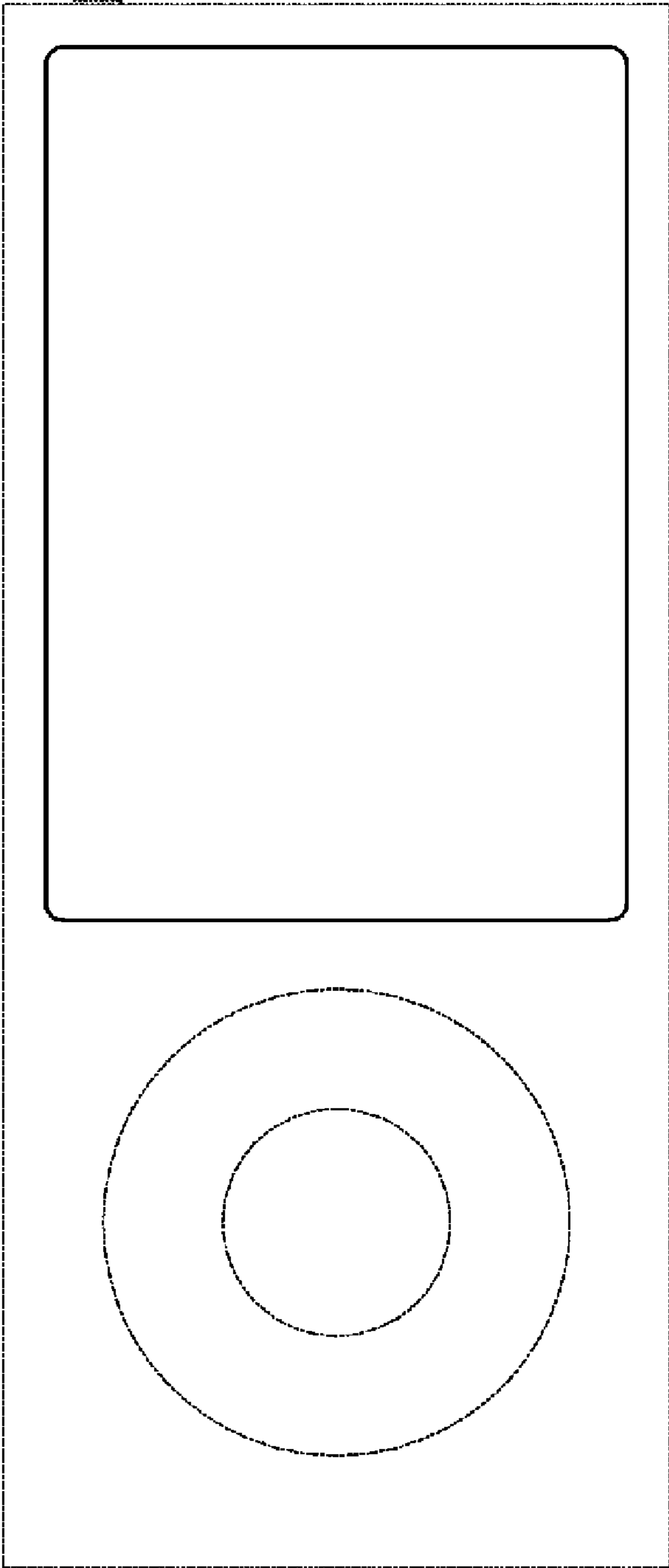
\* cited by examiner



**FIG. 1**



**FIG. 2**



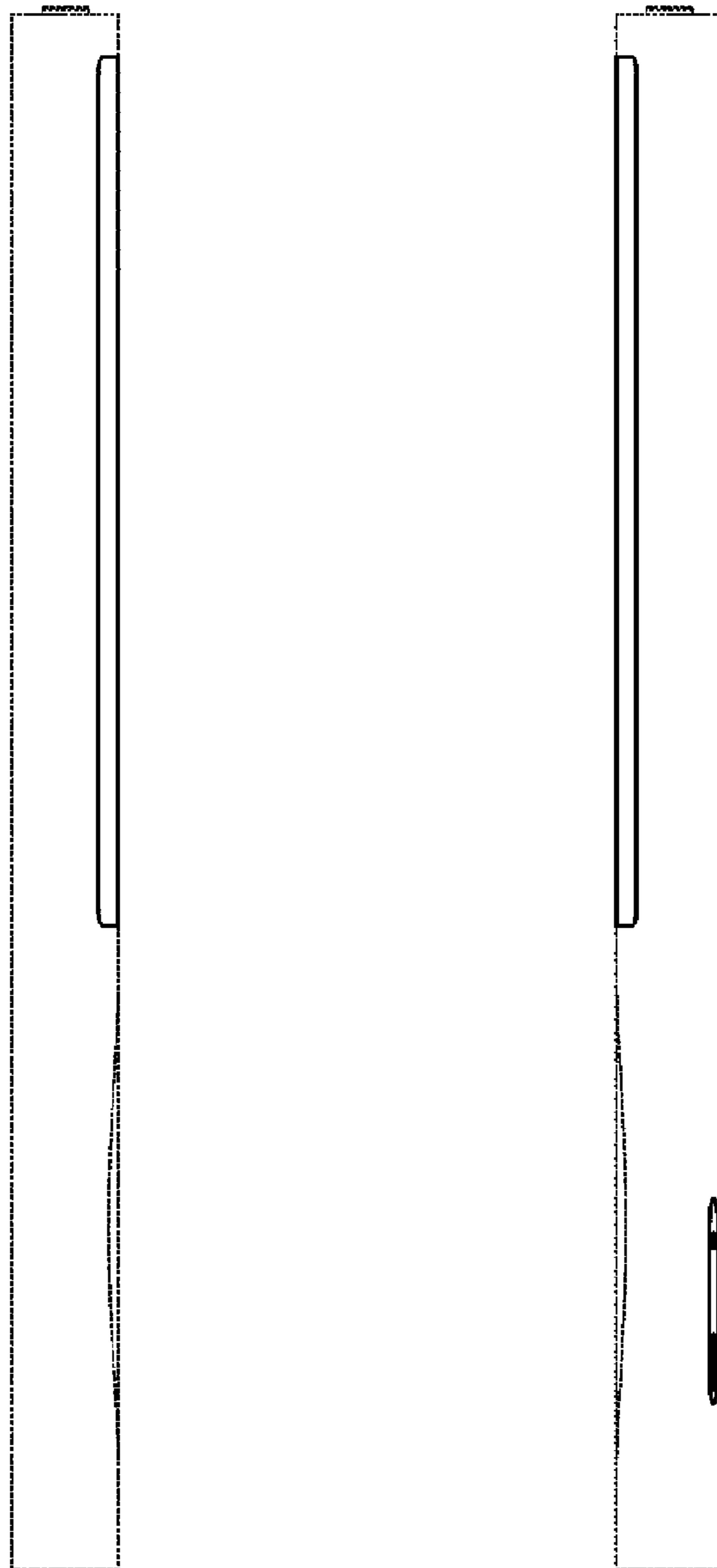
**FIG. 3**



**FIG. 4**

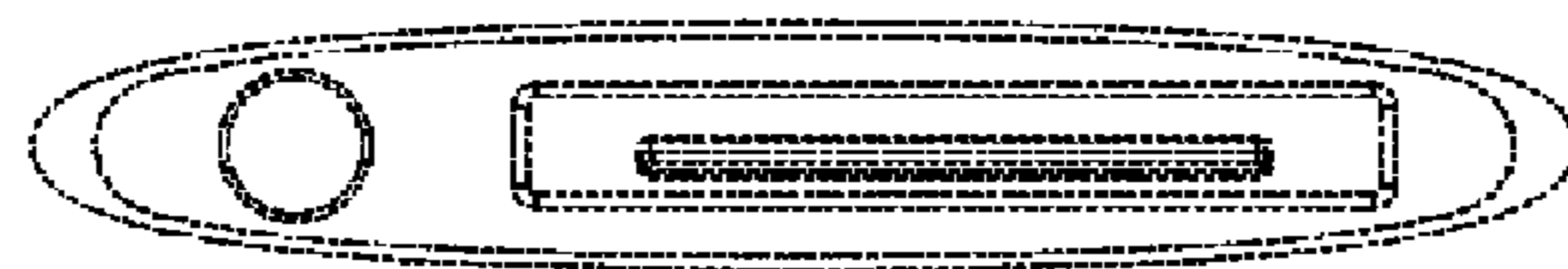


**FIG. 5**

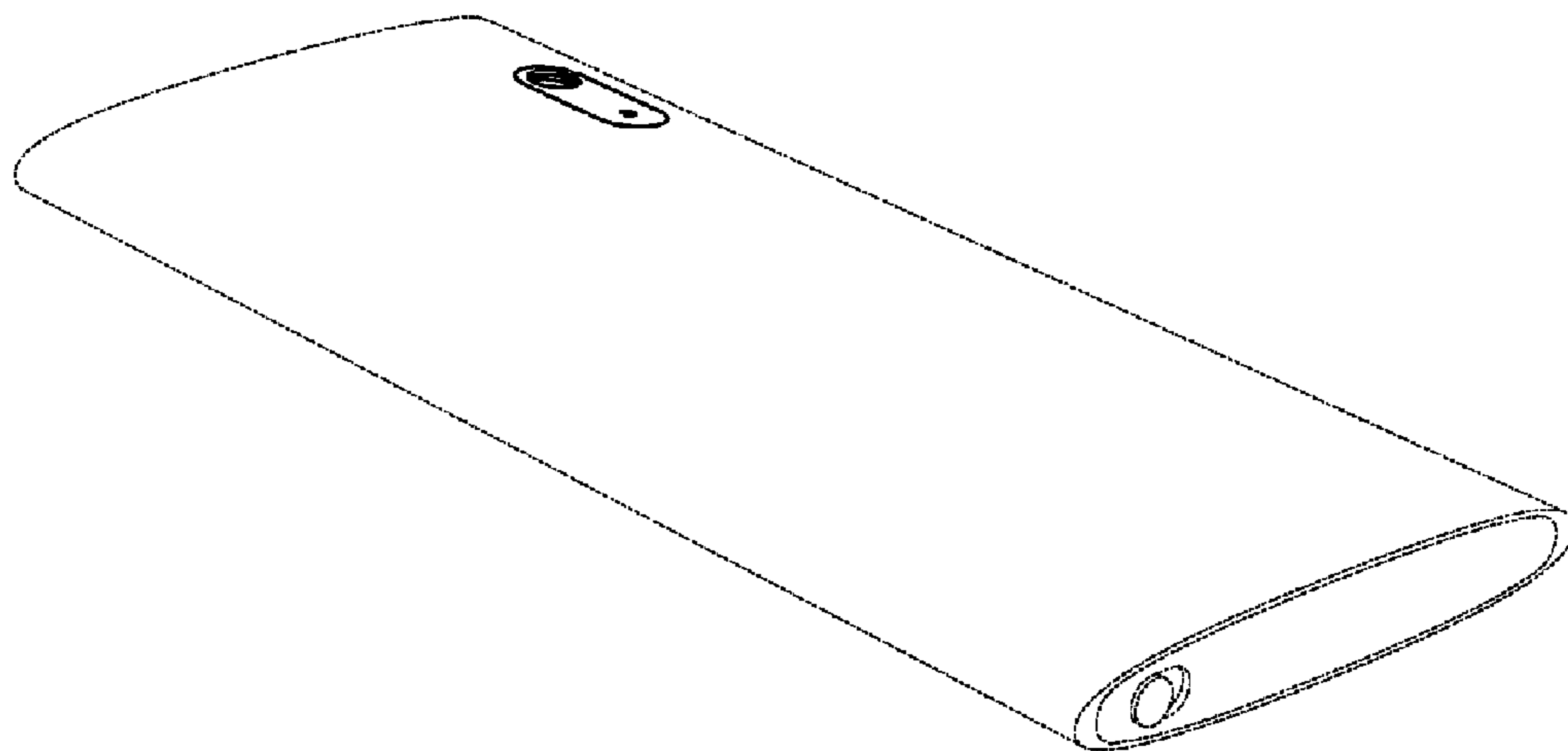


**FIG. 6**

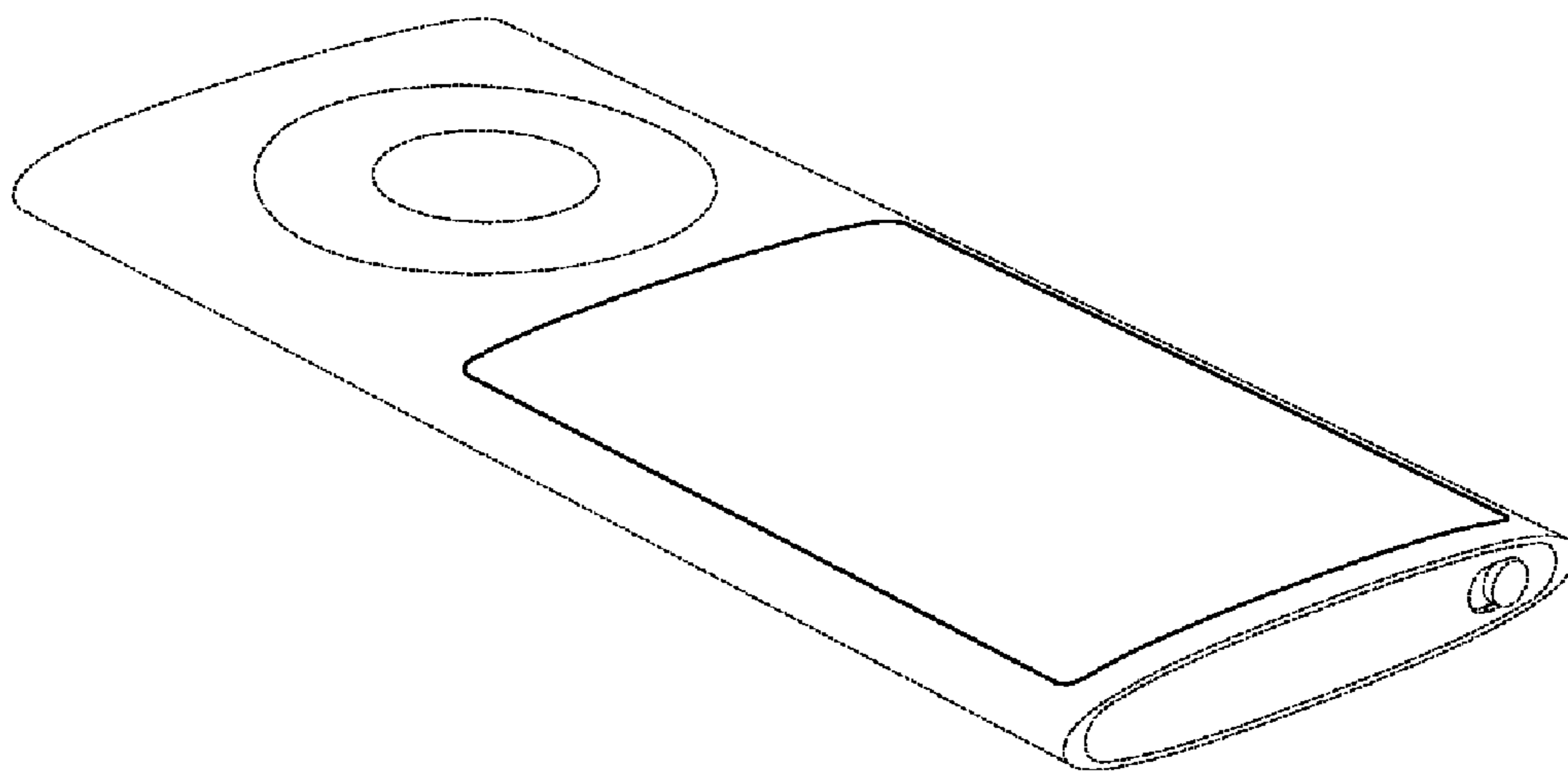
**FIG. 7**



**FIG. 8**



**FIG. 9**



**FIG. 10**