



US00D655686S

(12) **United States Design Patent**  
**Miu**

(10) **Patent No.:** **US D655,686 S**  
(45) **Date of Patent:** **\*\* Mar. 13, 2012**

(54) **ROUND SHAPED CLOCK WITH SPEAKER**

(75) Inventor: **Zhengxin Miu**, Shenzhen (CN)

(73) Assignee: **Shenzhen Adition Audio Science & Technology Co., Ltd.**, Shenzhen (JP)

(\*\*) Term: **14 Years**

(21) Appl. No.: **29/359,266**

(22) Filed: **Apr. 8, 2010**

(51) **LOC (9) Cl.** ..... **14-03**

(52) **U.S. Cl.** ..... **D14/170**

(58) **Field of Classification Search** ..... D14/137,  
D14/155, 168, 170, 171, 188, 189, 193-198,  
D14/203.1-203.8, 204, 208, 209.1, 210, 212,  
D14/214, 217, 496; D10/2; 312/7.1; 369/6-12;  
370/342-344; 455/90.1-90.3, 344-355  
See application file for complete search history.

(56) **References Cited**

**U.S. PATENT DOCUMENTS**

D536,665 S *	2/2007	Solland	.....	D13/108
D546,839 S *	7/2007	Hynecek et al.	.....	D14/496
D554,106 S *	10/2007	Gan et al.	.....	D14/214
D556,737 S *	12/2007	Oh	.....	D14/214
D574,849 S *	8/2008	Chen	.....	D14/496
D577,357 S *	9/2008	Poandl	.....	D14/216
D598,005 S *	8/2009	Amano	.....	D14/209.1
D606,044 S *	12/2009	Lee	.....	D14/217
D611,033 S *	3/2010	Ferber et al.	.....	D14/209.1
D611,931 S *	3/2010	Lee	.....	D14/217
D616,861 S *	6/2010	Lum et al.	.....	D14/188
D622,162 S *	8/2010	Yen et al.	.....	D10/2
D624,527 S *	9/2010	Ho et al.	.....	D14/209.1

D629,787 S *	12/2010	Lee	.....	D14/203.7
D632,279 S *	2/2011	Chow	.....	D14/209.1
D632,669 S *	2/2011	Chow	.....	D14/209.1
D633,468 S *	3/2011	Lee	.....	D14/203.7
D636,373 S *	4/2011	Miu	.....	D14/170

\* cited by examiner

*Primary Examiner* — Stella Reid  
*Assistant Examiner* — Keli L Hill

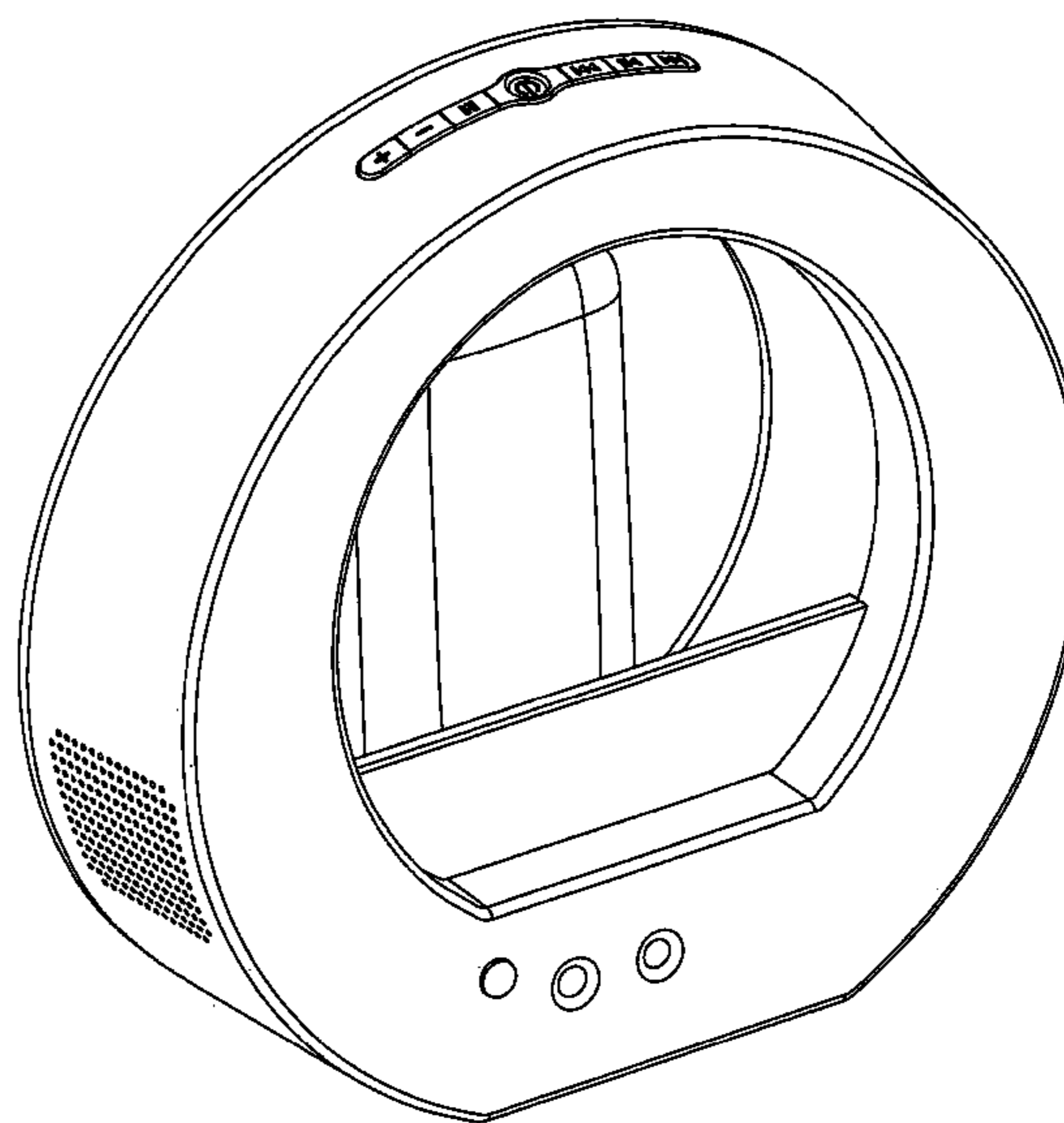
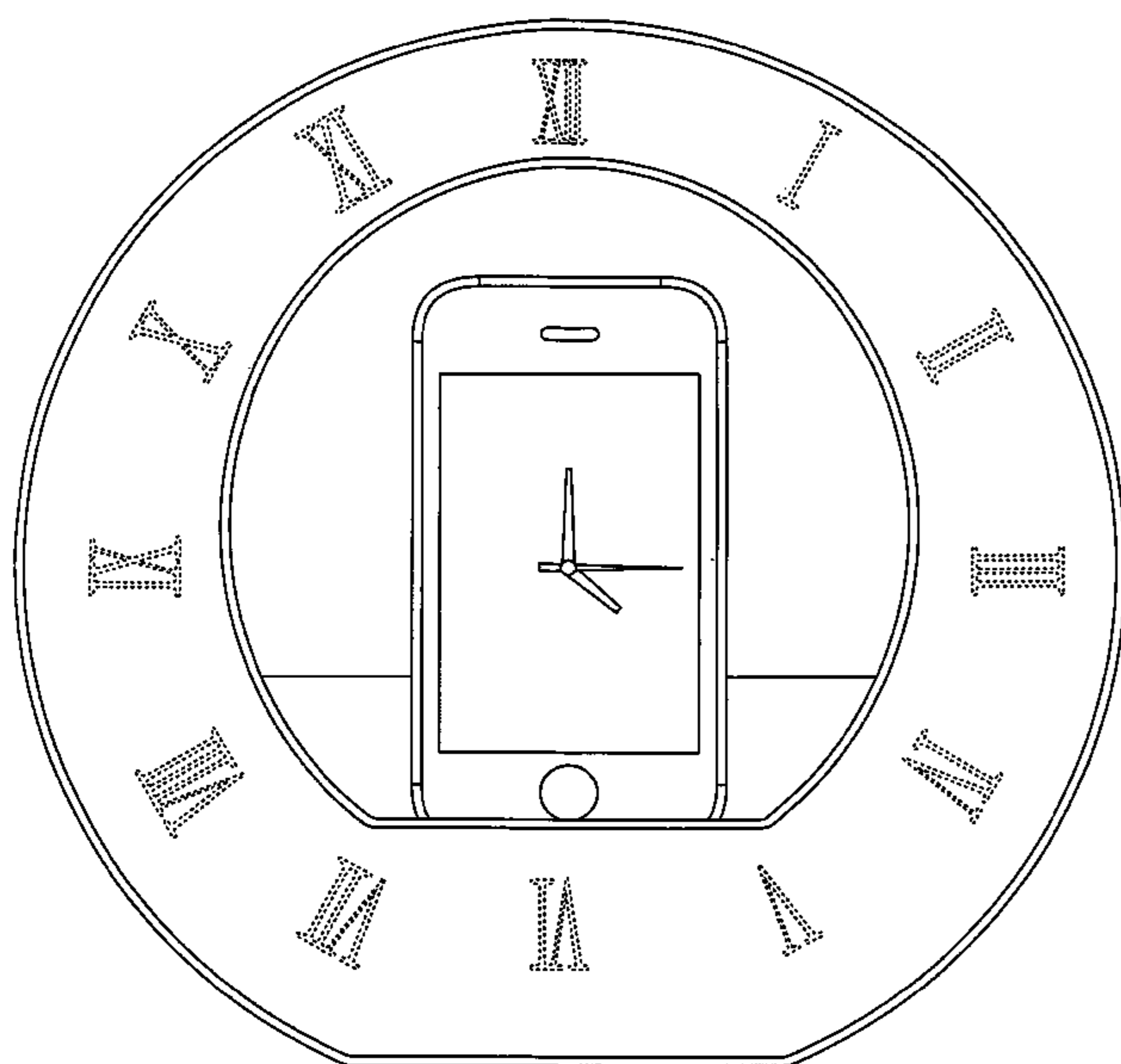
(57) **CLAIM**

The ornamental design for a round shaped clock with speaker, as shown and described..

**DESCRIPTION**

FIG. 1 is a front elevational view of a round shaped clock with speaker showing my new design;  
FIG. 2 is a rear elevational view thereof;  
FIG. 3 is a left side view thereof;  
FIG. 4 is a right side view thereof;  
FIG. 5 is a top plan view thereof;  
FIG. 6 is a bottom plan view thereof;  
FIG. 7 is a right rear perspective view thereof;  
FIG. 8 is a right front perspective view thereof, shown with the clock detached from the main body;  
FIG. 9 is an alternate right rear perspective view thereof, shown with the clock detached from the main body.  
The broken lines shown are included for the purpose of illustrating the unclaimed portions of the article and form no part of the claim.

**1 Claim, 7 Drawing Sheets**



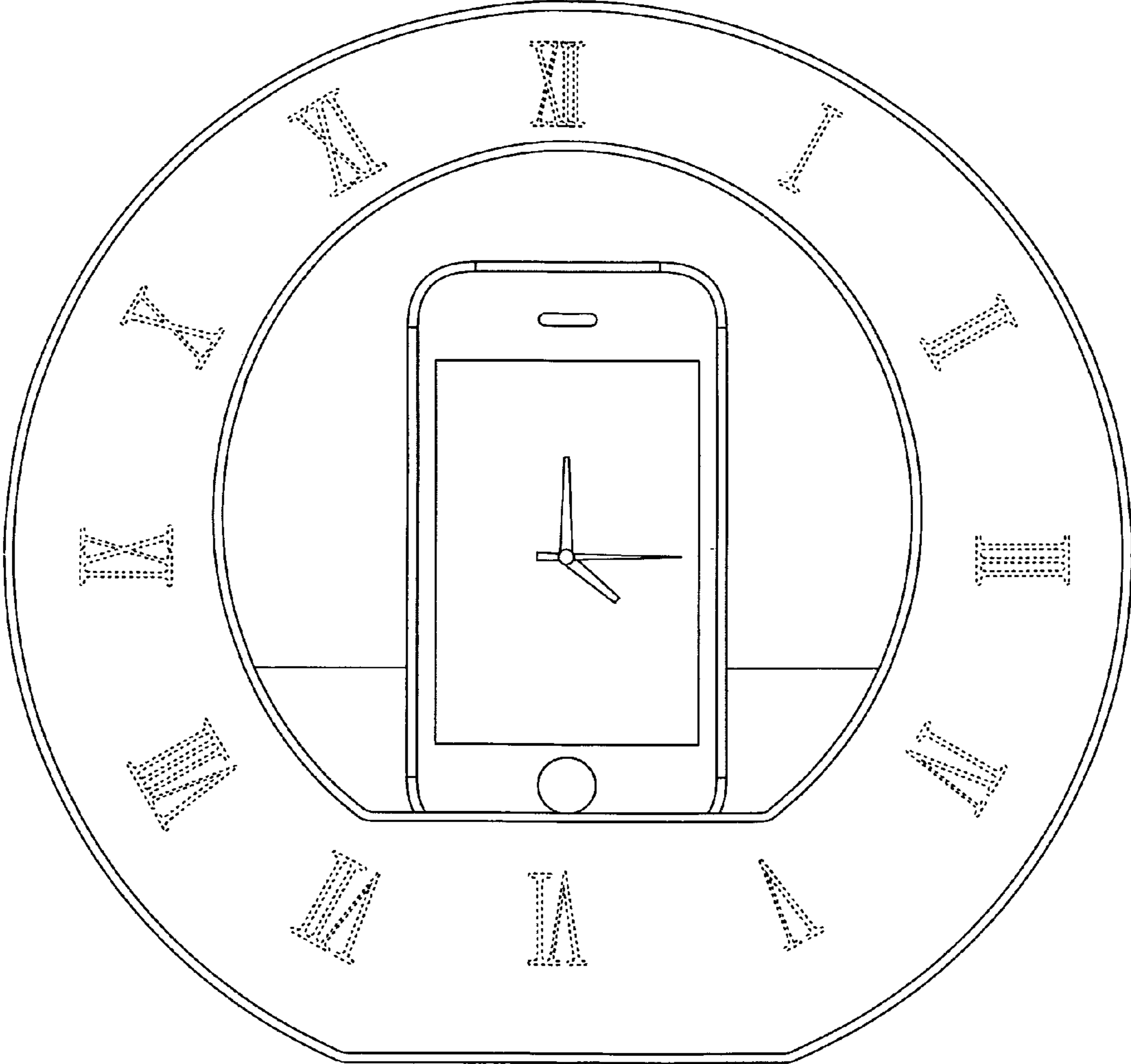


FIG. 1

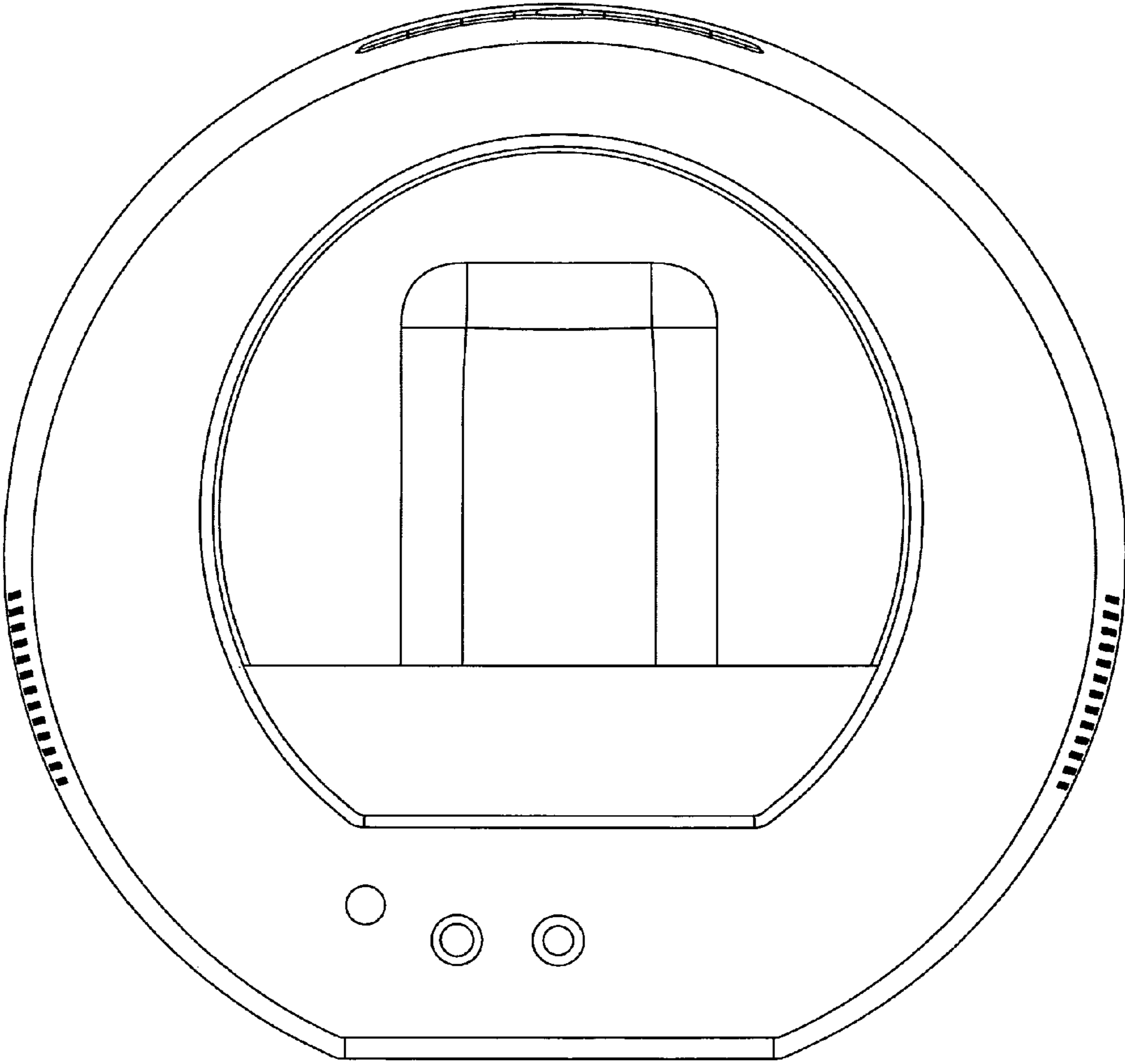


FIG. 2

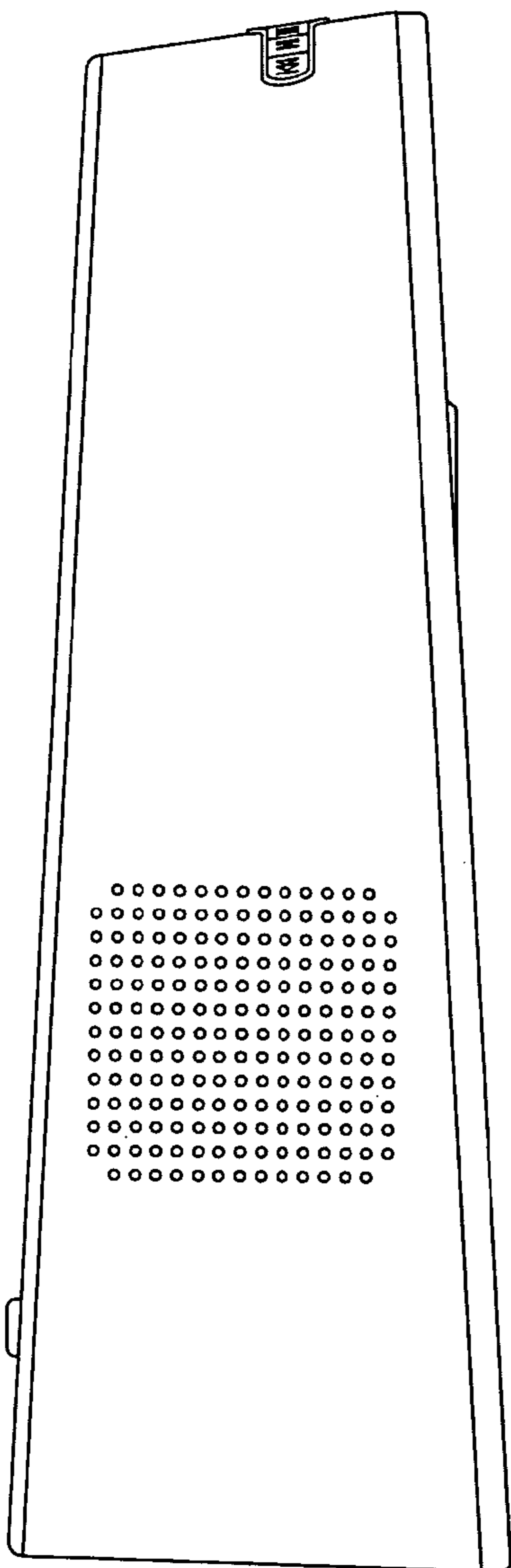


FIG. 3

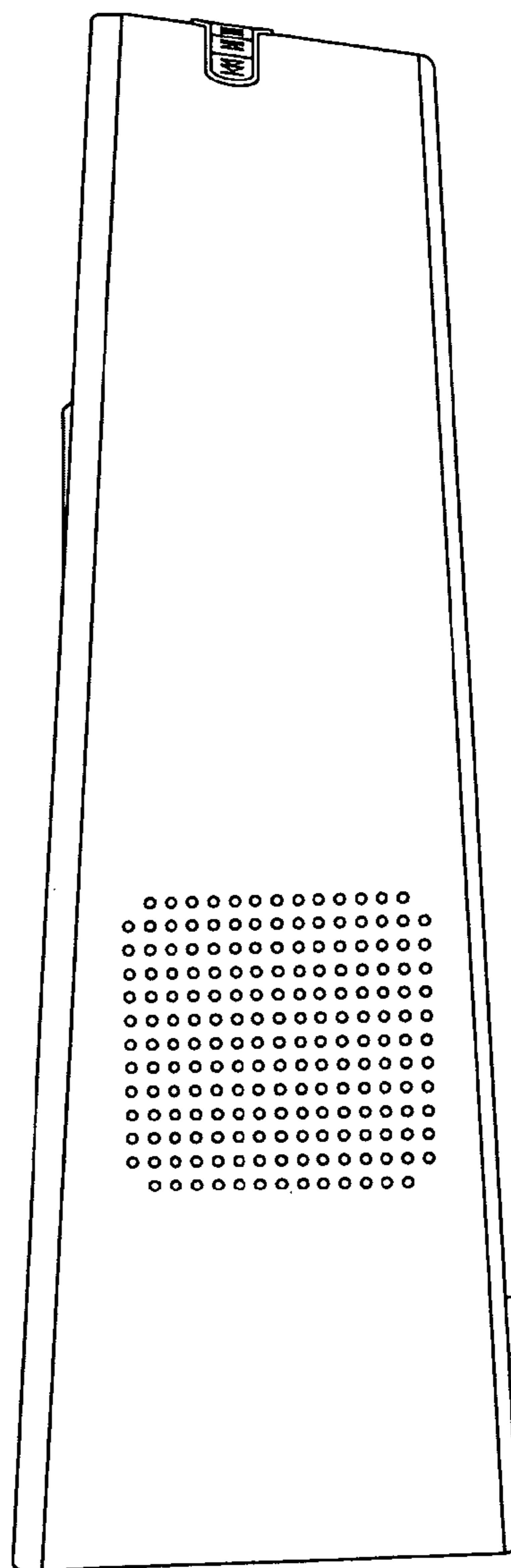


FIG. 4

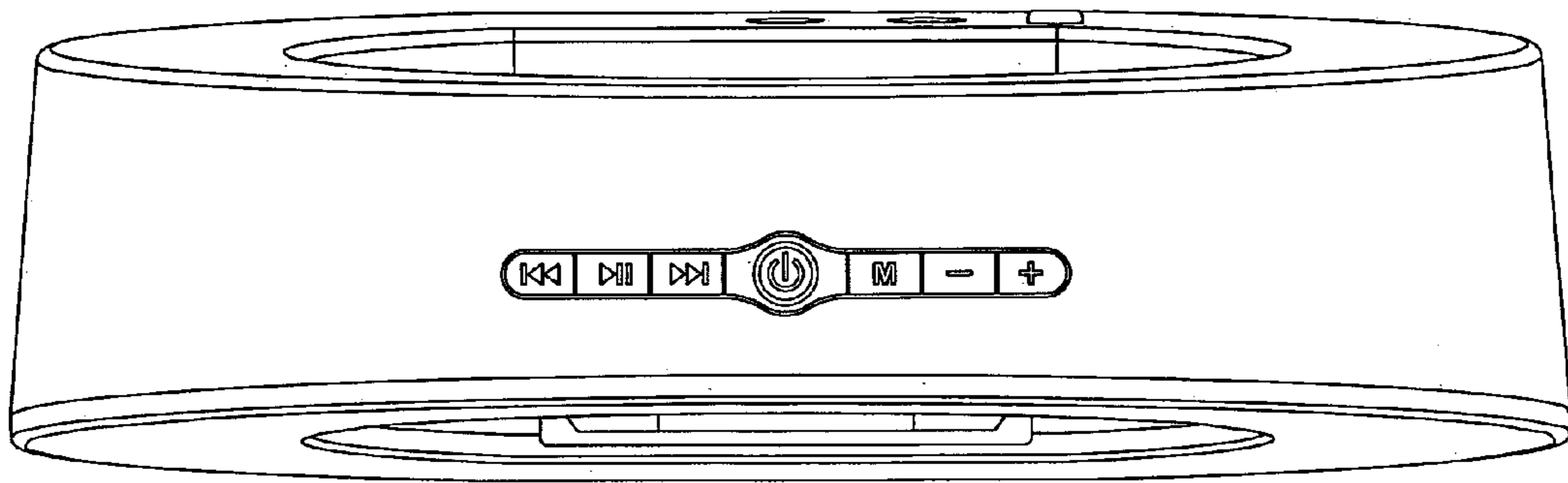


FIG. 5

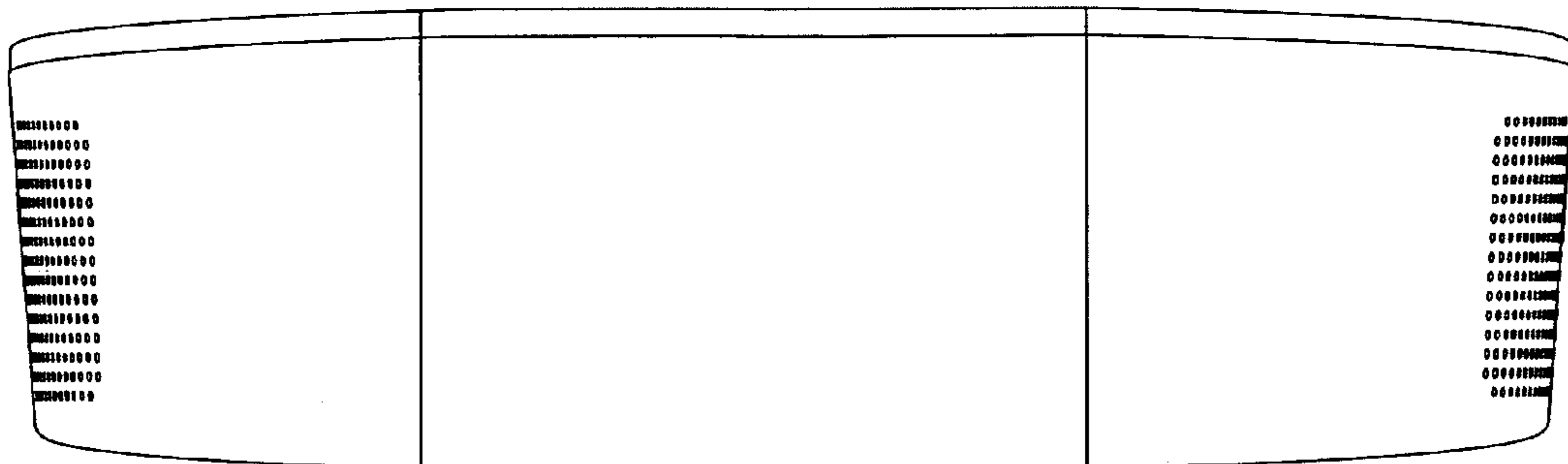


FIG. 6



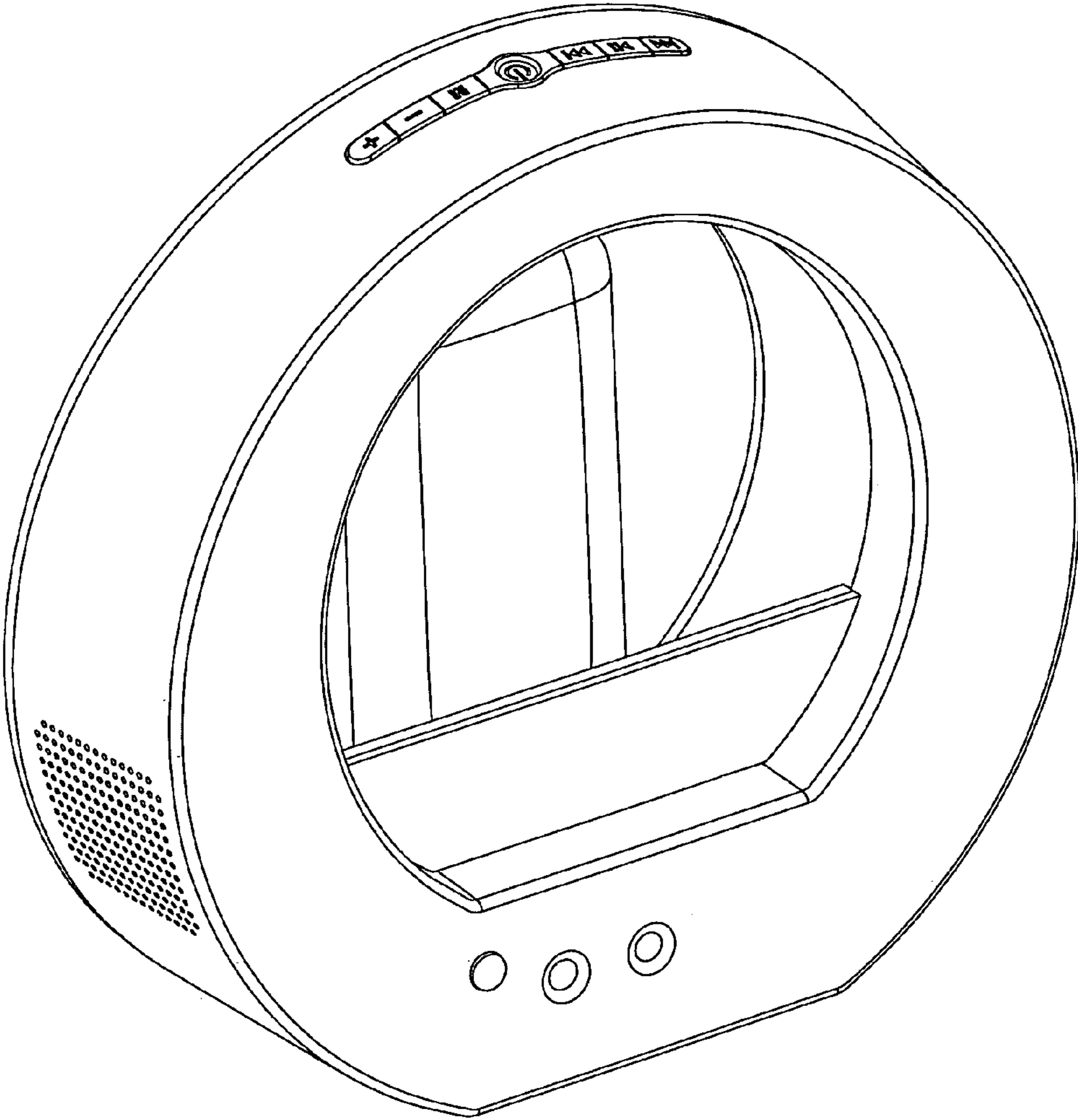


FIG. 7

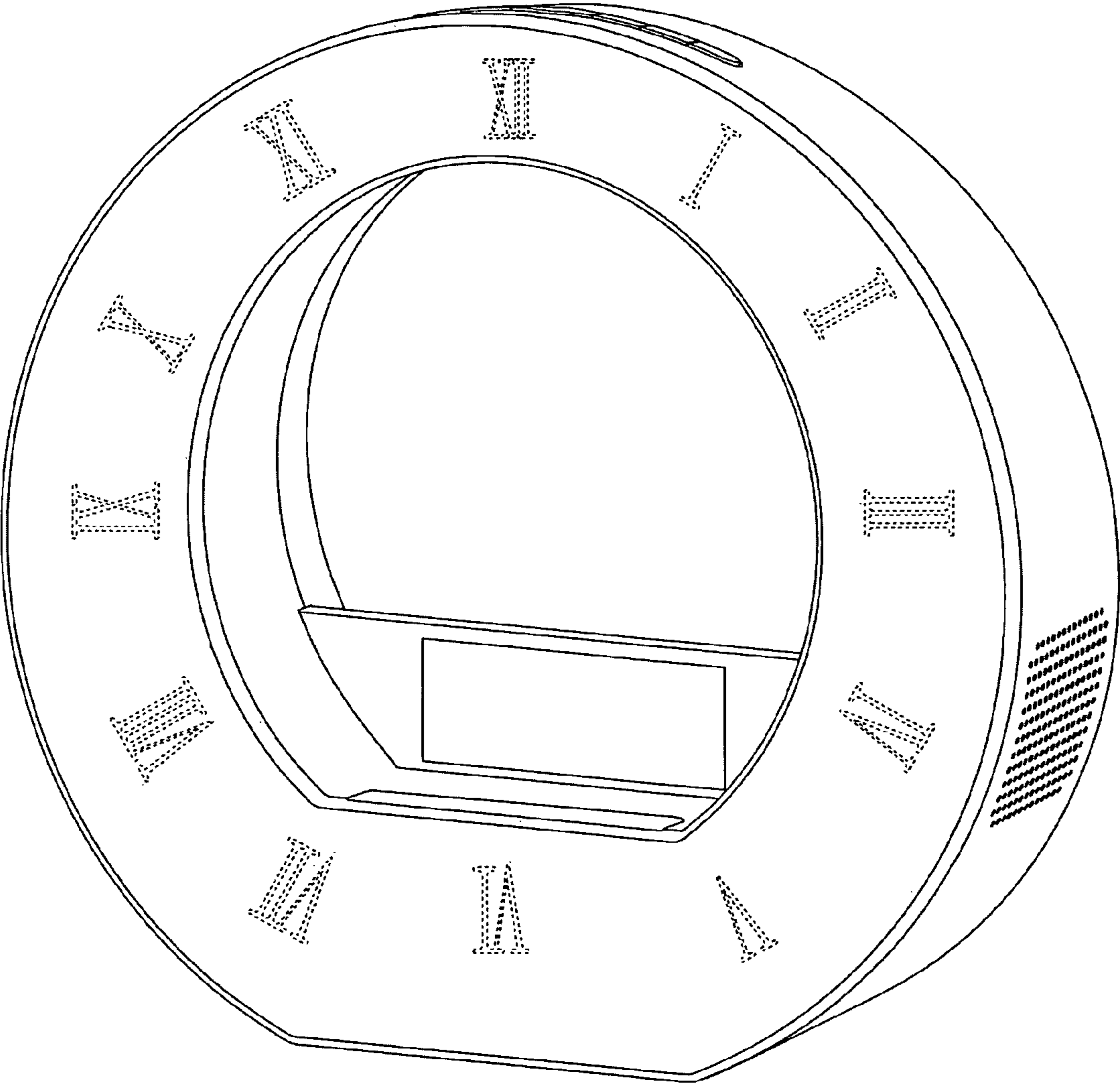


FIG. 8

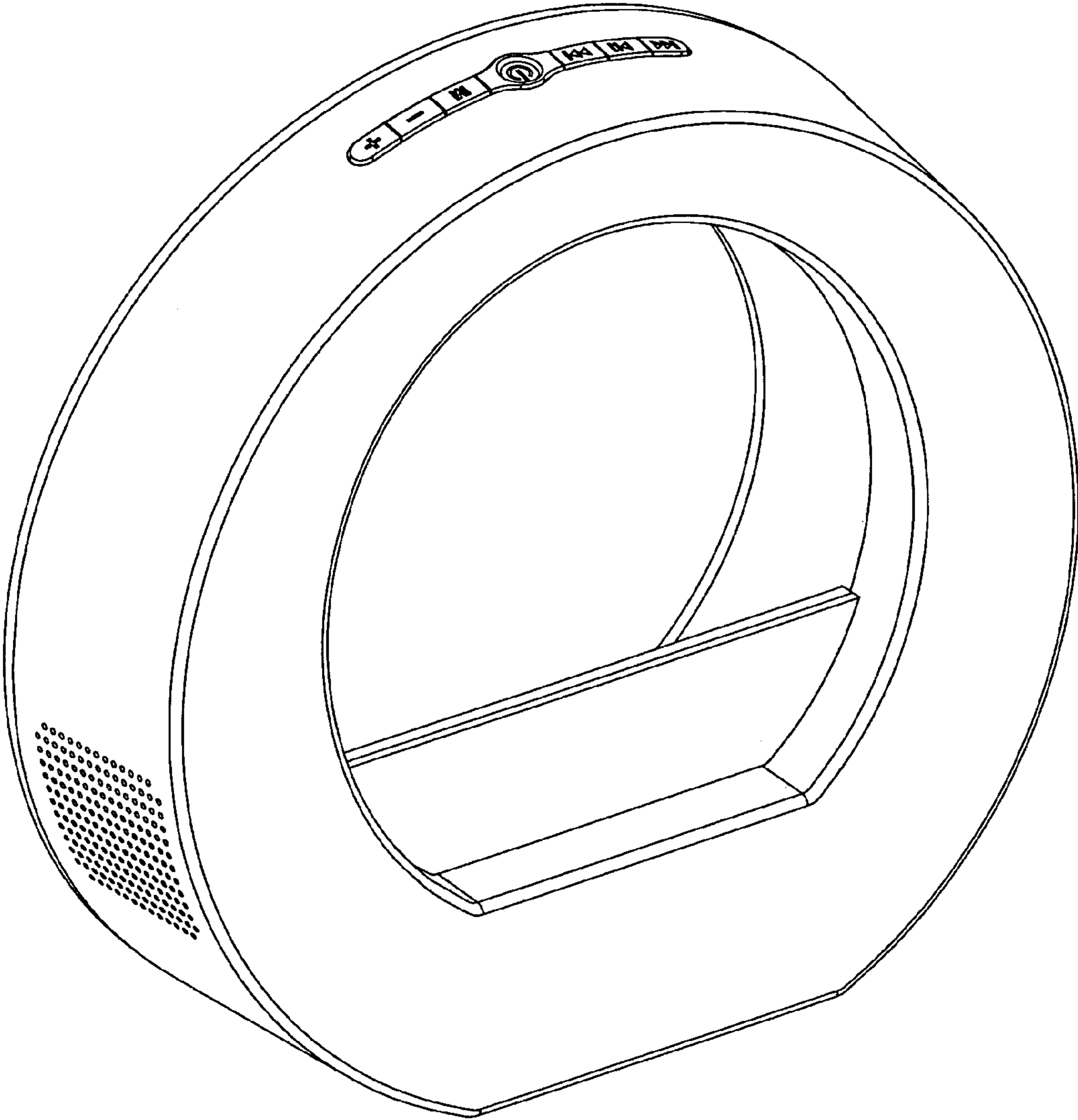


FIG. 9