



US00D655685S

(12) **United States Design Patent**
Daniel

(10) **Patent No.:** **US D655,685 S**
(45) **Date of Patent:** **** Mar. 13, 2012**

(54) **COMMUNICATION DEVICE FOR TRANSMITTING CODED MESSAGES**

(75) Inventor: **Isaac S. Daniel**, Miramar, FL (US)

(73) Assignee: **F3M3 Companies, Inc.**, Miramar, FL (US)

(**) Term: **14 Years**

(21) Appl. No.: **29/397,352**

(22) Filed: **Jul. 14, 2011**

(51) **LOC (9) Cl.** **14-03**

(52) **U.S. Cl.** **D14/138 AA; D14/346**

(58) **Field of Classification Search** D14/138 AA, D14/138 AC, 138 R, 138 AD, 138 AB, 496, D14/341, 345, 346, 203.1, 203.4, 203.7, 218, D14/137, 144, 147, 247, 455; D13/184; 455/575.1, 575.3, 575.4, 556.2; 379/433.01, 379/433.04, 433.11, 433.12, 433.13; D21/517
See application file for complete search history.

(56) **References Cited**

U.S. PATENT DOCUMENTS

- D410,046 S * 5/1999 Fletcher D21/517
- D529,909 S * 10/2006 Daw et al. D14/346
- D548,218 S * 8/2007 Hong et al. D14/138 AA
- D550,665 S * 9/2007 Griffin et al. D14/346
- D555,648 S * 11/2007 Griffin D14/346
- D559,223 S * 1/2008 Kim et al. D14/138 AA
- D566,086 S * 4/2008 Hong et al. D14/138 AA
- D566,094 S * 4/2008 Kim et al. D14/138 AA
- D585,889 S * 2/2009 Rak et al. D14/346
- D587,263 S * 2/2009 Rak et al. D14/346
- D593,555 S * 6/2009 Corley et al. D14/346
- D600,229 S * 9/2009 Kangasmaa D14/138 AA
- D601,529 S * 10/2009 Rouger D14/138 AA
- D603,832 S * 11/2009 Ho D14/138 AA
- D606,538 S * 12/2009 Ferrari et al. D14/346

- D606,540 S * 12/2009 Liao et al. D14/346
- D610,141 S * 2/2010 Griffin et al. D14/346
- D612,376 S * 3/2010 Cebe D14/346
- D618,195 S * 6/2010 Behling D14/138 AA
- D623,185 S * 9/2010 Corley et al. D14/346
- D627,756 S * 11/2010 Nuovo et al. D14/138 AA
- D628,976 S * 12/2010 Yang D14/138 AA
- D630,200 S * 1/2011 Ruohonen et al. D14/248
- D643,396 S * 8/2011 Hou D14/138 AA
- D648,305 S * 11/2011 Chen D14/138 AA
- 2006/0209032 A1 * 9/2006 Chiang et al. 345/169

OTHER PUBLICATIONS

T-Mobile Dash 3G telephone, announced Mar. 2009, [online], [site visited Nov. 1, 2011]. Available from Internet, <URL: <http://www.gsmarena.com>>.*

HTC Snap telephone, announced Mar. 2009, [online], [site visited Nov. 1, 2011]. Available from Internet, <URL: <http://www.gsmarena.com>>.*

(Continued)

Primary Examiner — Jeffrey D Asch

(74) *Attorney, Agent, or Firm* — Carol N. Green, Esq.

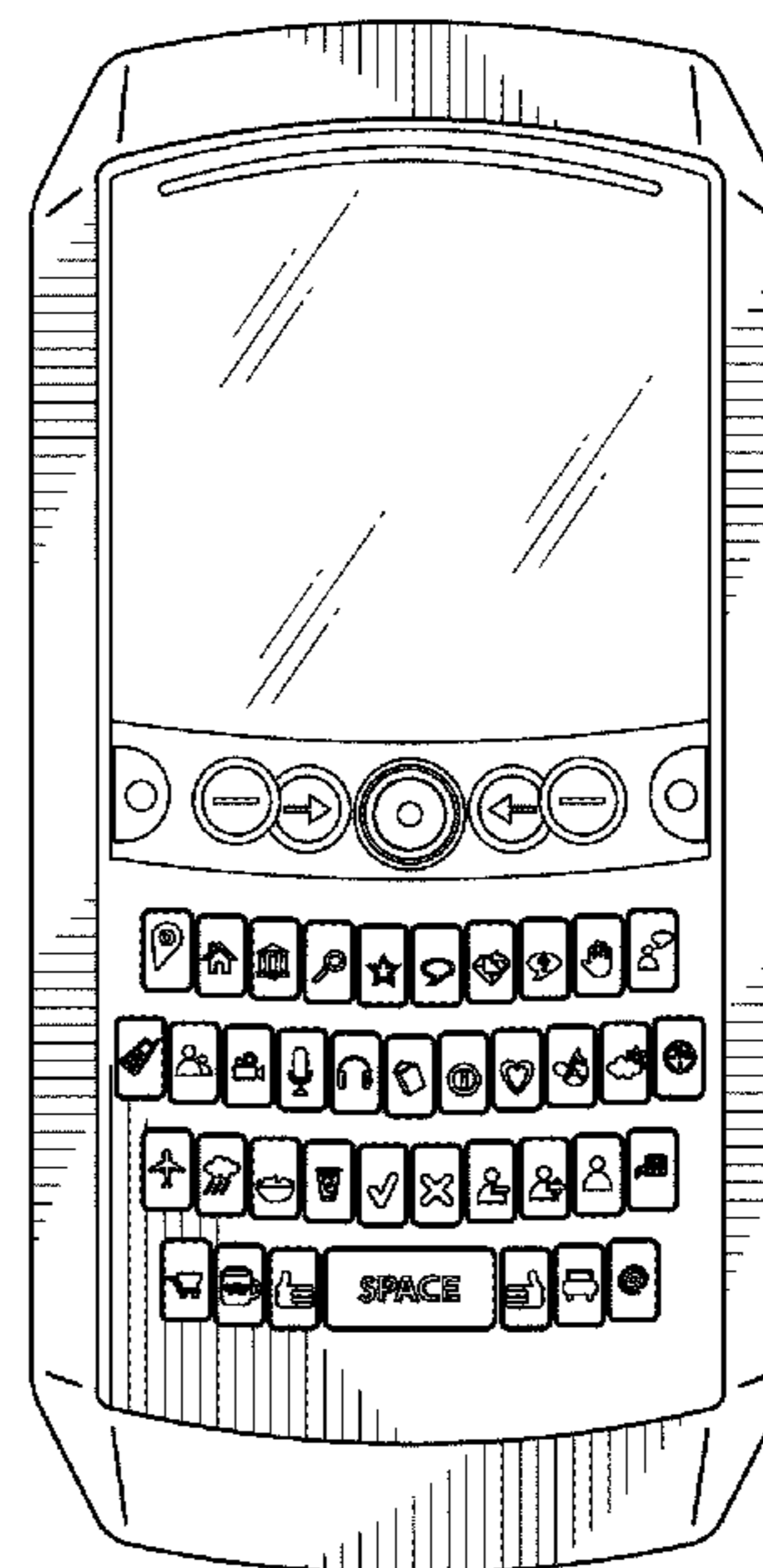
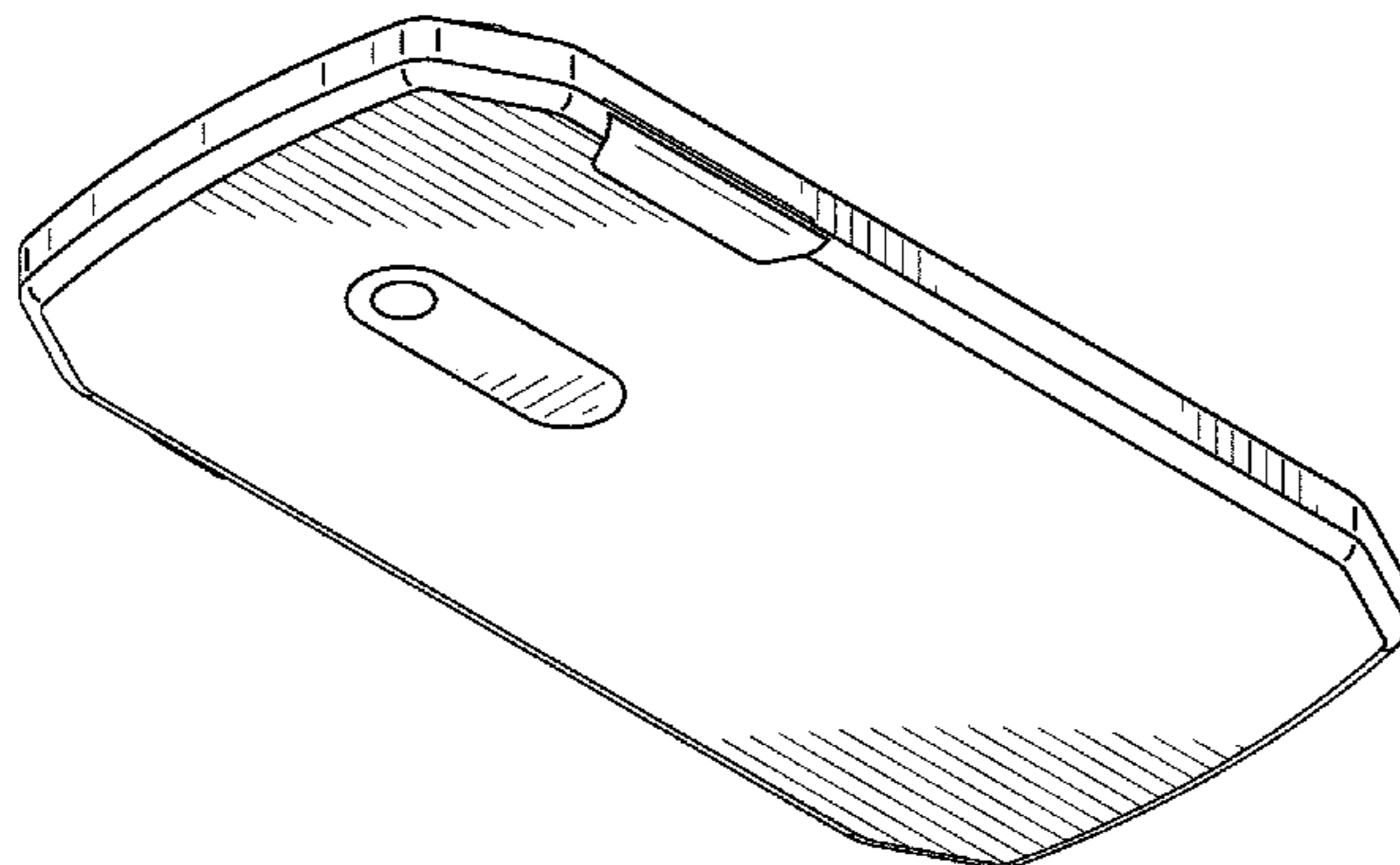
(57) **CLAIM**

The ornamental design for a communication device for transmitting coded messages, as shown and described.

DESCRIPTION

FIG. 1 is a top perspective view of the invention.
FIG. 2 is a bottom perspective view of the invention.
FIG. 3 is a bottom plan view of the invention.
FIG. 4 is a top plan view of the invention.
FIG. 5 is a left elevation view of the invention.
FIG. 6 is a right side view of the invention.
FIG. 7 is a front view of the invention; and,
FIG. 8 is a back view of the invention.

1 Claim, 3 Drawing Sheets



OTHER PUBLICATIONS

Micromax Q50 telephone, announced 2010, [online], [site visited Nov. 1, 2011]. Available from Internet, <URL: <http://www.gsmarena.com>>.*

Spice QT-68 telephone, announced 2010, [online], [site visited Nov. 1, 2011]. Available from Internet, <URL: <http://www.gsmarena.com>>.*

Spice QT-58 telephone, announced 2010, [online], [site visited Nov. 1, 2011]. Available from Internet, <URL: <http://www.gsmarena.com>>.*

Samsung M580 Replenish telephone, announced Apr. 2011, [online], [site visited Nov. 1, 2011]. Available from Internet, <URL: <http://www.gsmarena.com>>.*

Nokia E71 telephone, announced Jun. 2008, [online], [site visited Nov. 1, 2011]. Available from Internet, <URL: <http://www.gsmarena.com>>.*

Nokia E72 telephone, announced Jun. 2009, [online], [site visited Nov. 1, 2011]. Available from Internet, <URL: <http://www.gsmarena.com>>.*

* cited by examiner

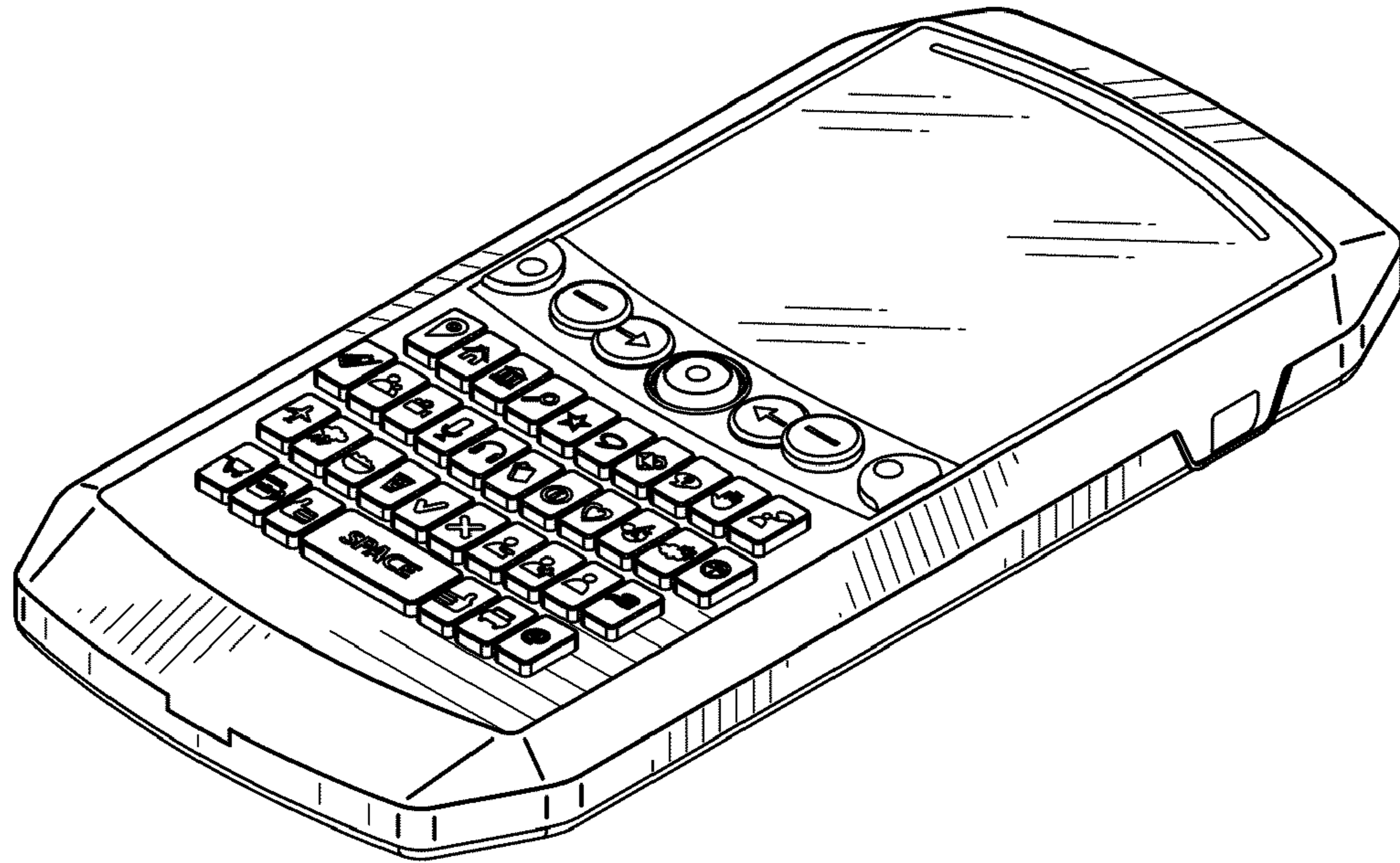


FIG. 1

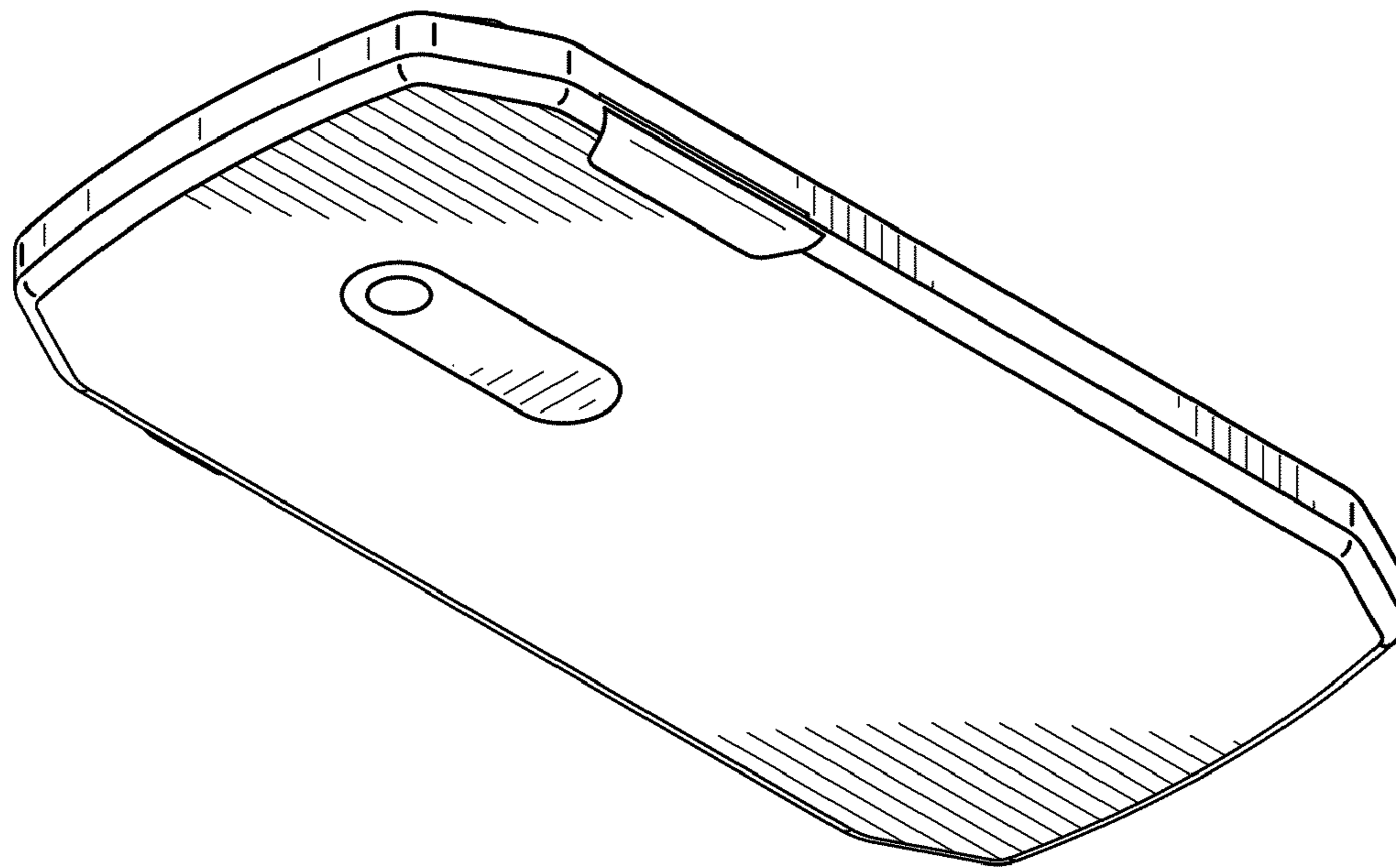


FIG. 2

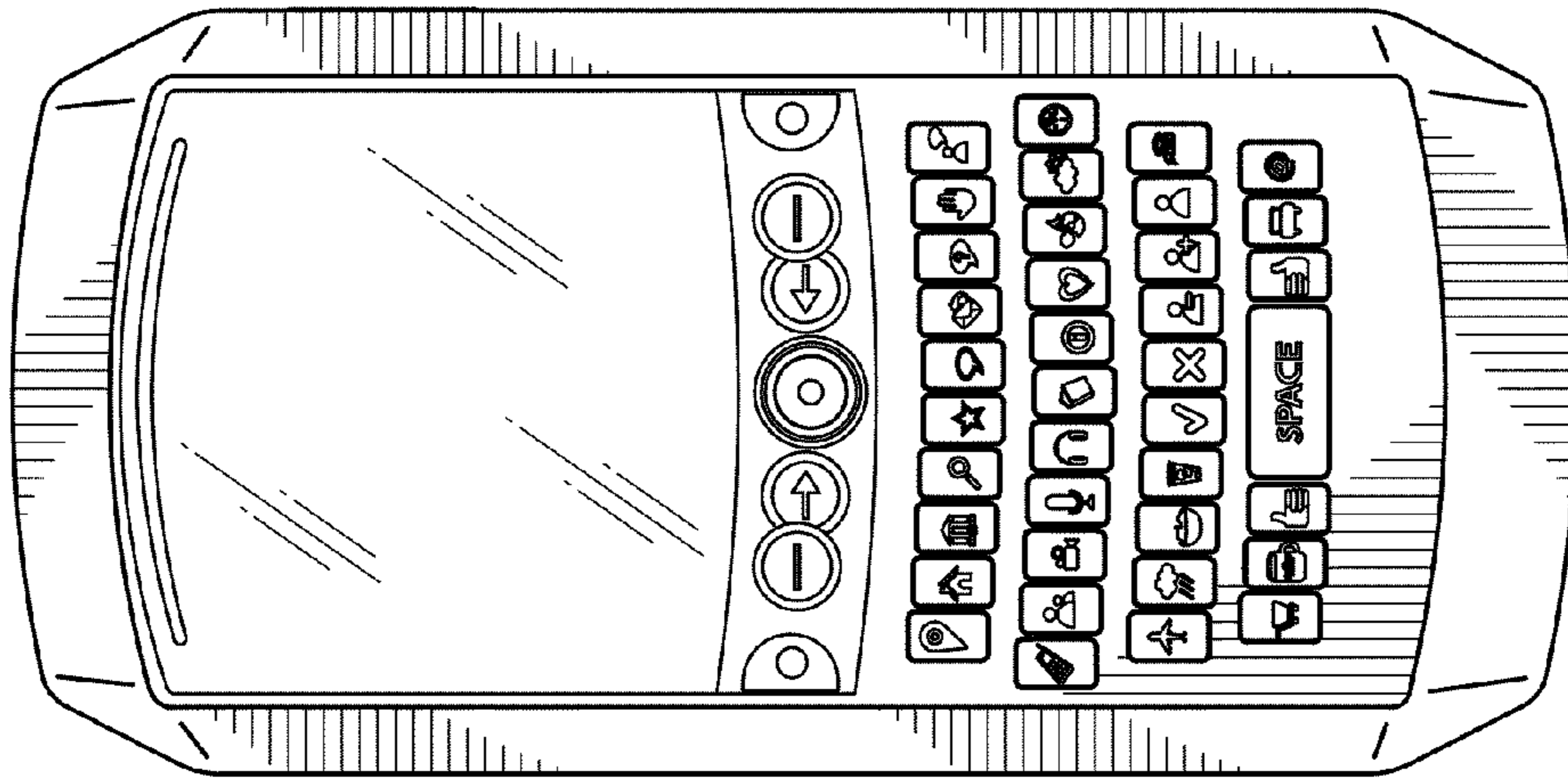


FIG. 4

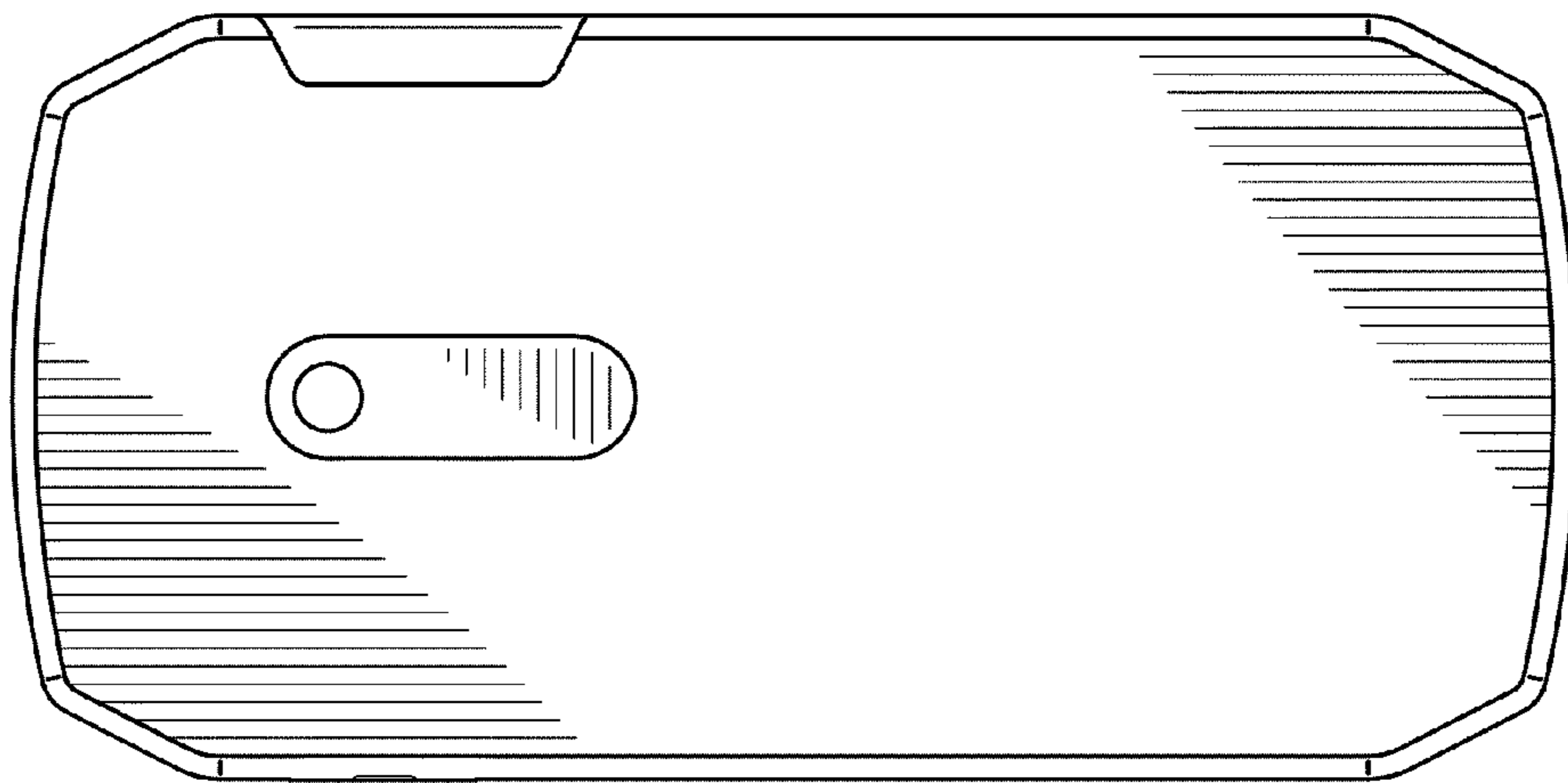


FIG. 3

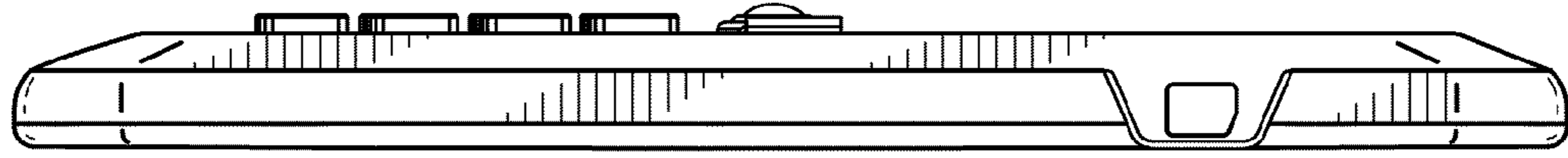


FIG. 5

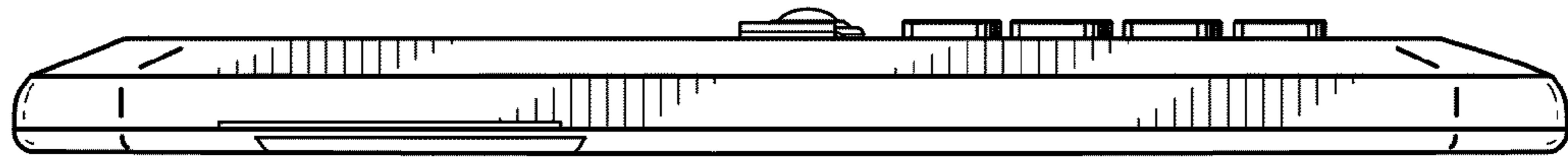


FIG. 6

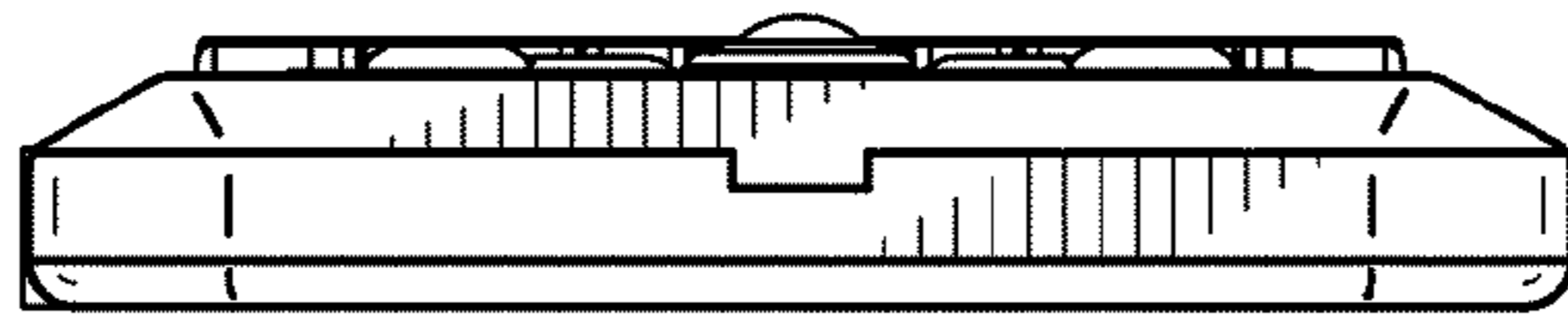


FIG. 7

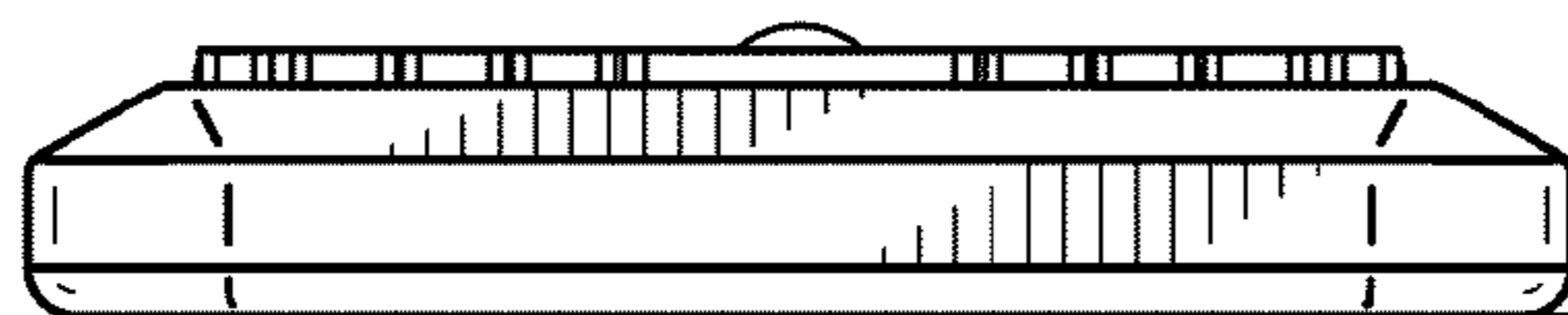


FIG. 8