



US00D655684S

(12) **United States Design Patent**
Kim et al.

(10) **Patent No.:** **US D655,684 S**
(45) **Date of Patent:** **** Mar. 13, 2012**

(54) **LCD TELEVISION RECEIVER**

(56) **References Cited**

(75) Inventors: **Tae Uk Kim**, Seoul (KR); **Hyun Byung Cha**, Seoul (KR); **Jin Kim**, Seoul (KR); **Yong Joon Hwang**, Seoul (KR); **Jeong Rok Lee**, Seoul (KR)

U.S. PATENT DOCUMENTS

D494,165	S	*	8/2004	Yokota	D14/341
D535,953	S	*	1/2007	Fujii	D14/126
D547,740	S	*	7/2007	Otani	D14/126
D564,993	S	*	3/2008	Lee	D14/126
D585,401	S	*	1/2009	Otani	D14/134
D597,974	S	*	8/2009	Iseki	D14/126
D598,405	S	*	8/2009	Kuramashi	D14/126
D609,661	S	*	2/2010	VanDuyn et al.	D14/126
D610,562	S	*	2/2010	Chien	D14/126
D619,553	S	*	7/2010	Katsumata	D14/126
D623,620	S	*	9/2010	Kim et al.	D14/126

(73) Assignee: **LG Electronics Inc.**, Seoul (KR)

(**) Term: **14 Years**

(21) Appl. No.: **29/363,020**

(22) Filed: **Jun. 3, 2010**

(30) **Foreign Application Priority Data**

Dec. 4, 2009 (KR) 30-2009-0053584

(51) **LOC (9) Cl.** **14-03**

(52) **U.S. Cl.** **D14/126**

(58) **Field of Classification Search** D14/125-134,
D14/239, 371, 136, 374-377, 440, 450, 448,
D14/336, 342; 312/7.2; 348/836, 838, 180,
348/184, 325, 739; 341/12; 248/917-924,
248/465; 345/104, 133, 156, 168, 87, 173;
720/605, 669, 600, 655; 369/99, 197; 455/344,
455/347; D21/329, 515, 577, 622, 333, 433,
D21/448, 452, 450, 331; D6/477, 479, 300;
273/148 B; 446/484, 175, 356; D10/15,
D10/26

See application file for complete search history.

* cited by examiner

Primary Examiner — Raphael Barkai

(74) *Attorney, Agent, or Firm* — Morgan, Lewis & Bockius LLP

(57) **CLAIM**

We claim the ornamental design for an LCD television receiver, as shown and described.

DESCRIPTION

FIG. 1 is a perspective view of an LCD television receiver showing my new design:

FIG. 2 is a front elevation view thereof;

FIG. 3 is a rear elevation view thereof;

FIG. 4 is a left-side elevation view thereof;

FIG. 5 is a right-side elevation view thereof;

FIG. 6 is a top plan view thereof; and,

FIG. 7 is a bottom plan view thereof.

1 Claim, 5 Drawing Sheets

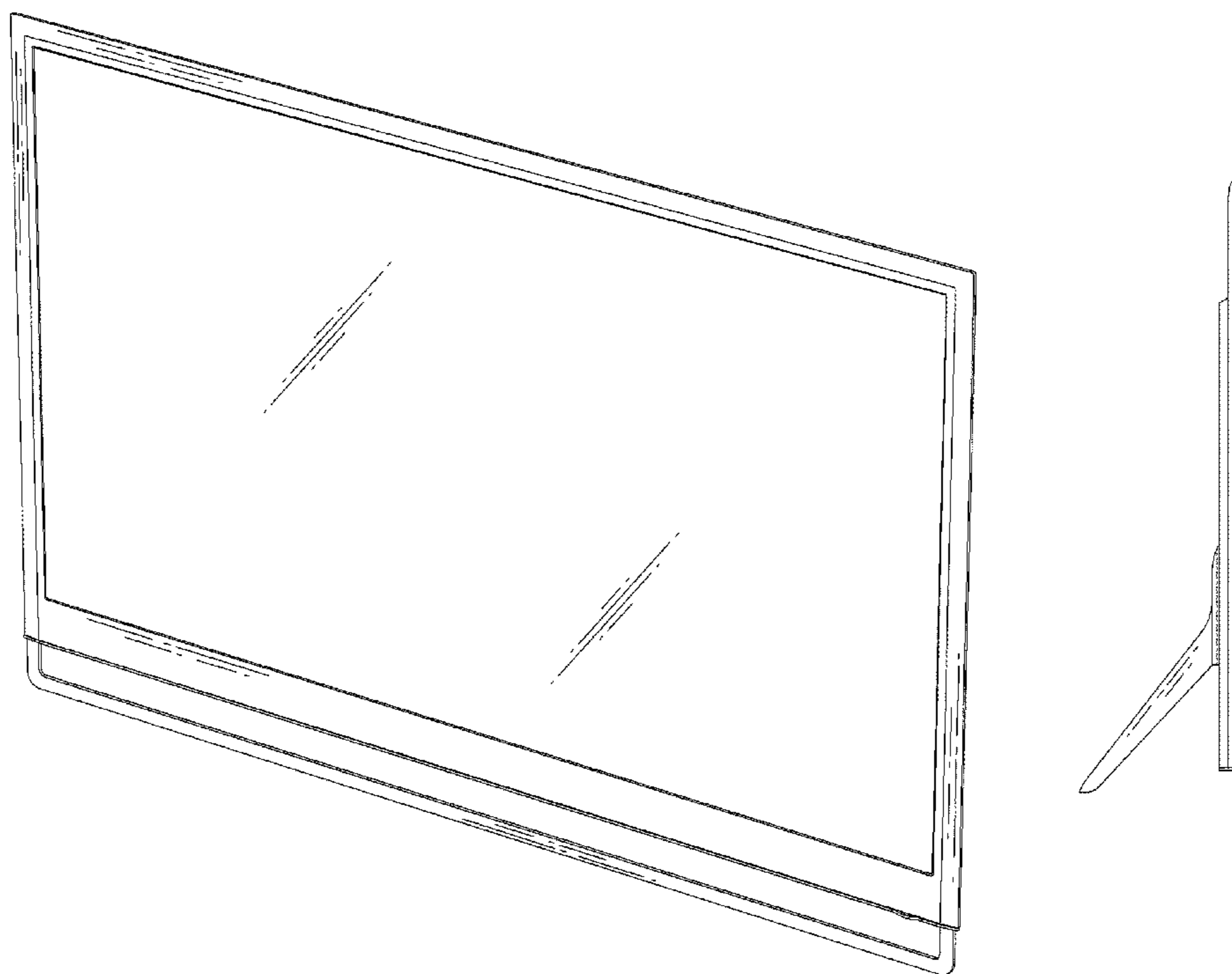


FIG. 1

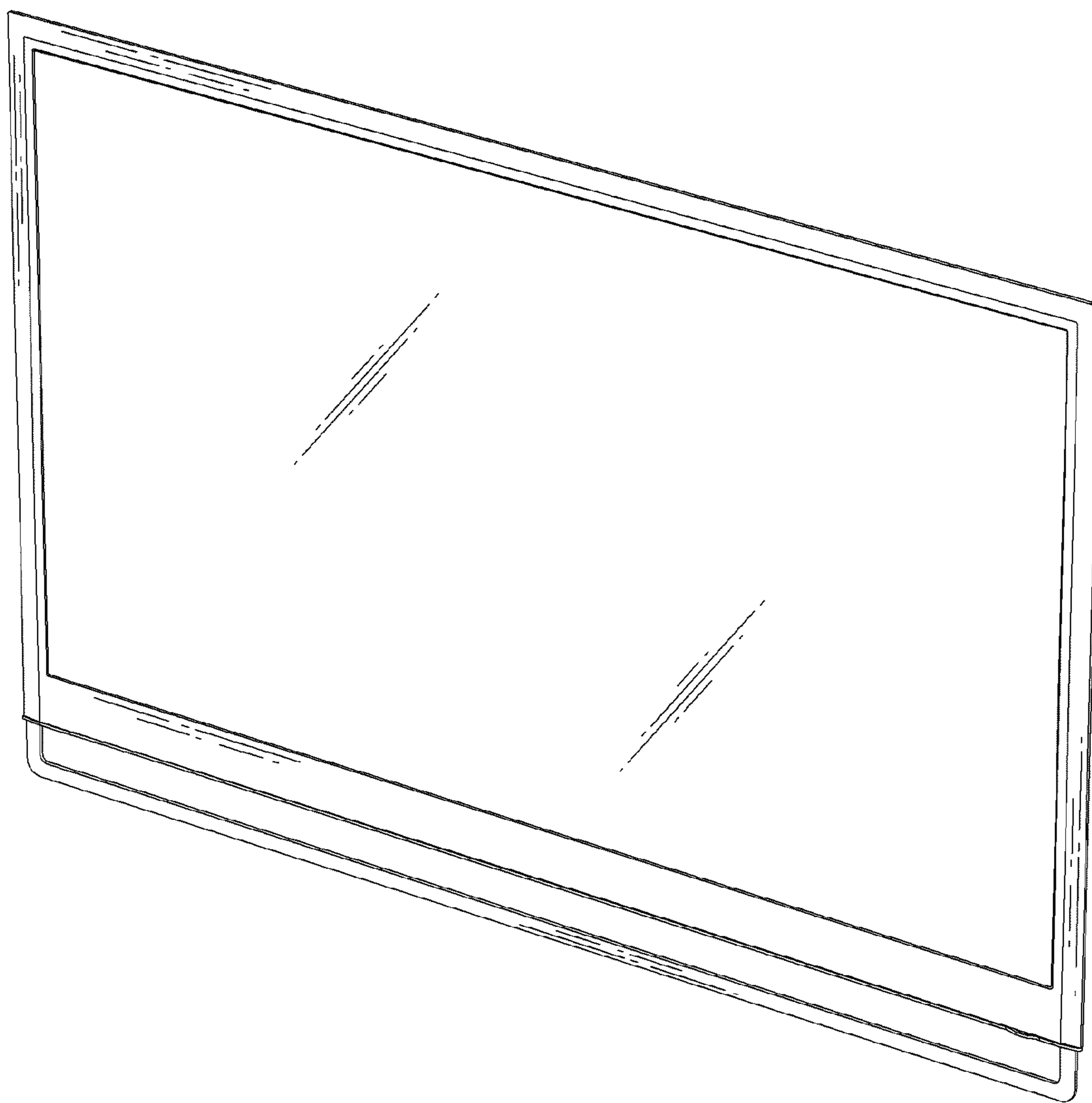


FIG. 2

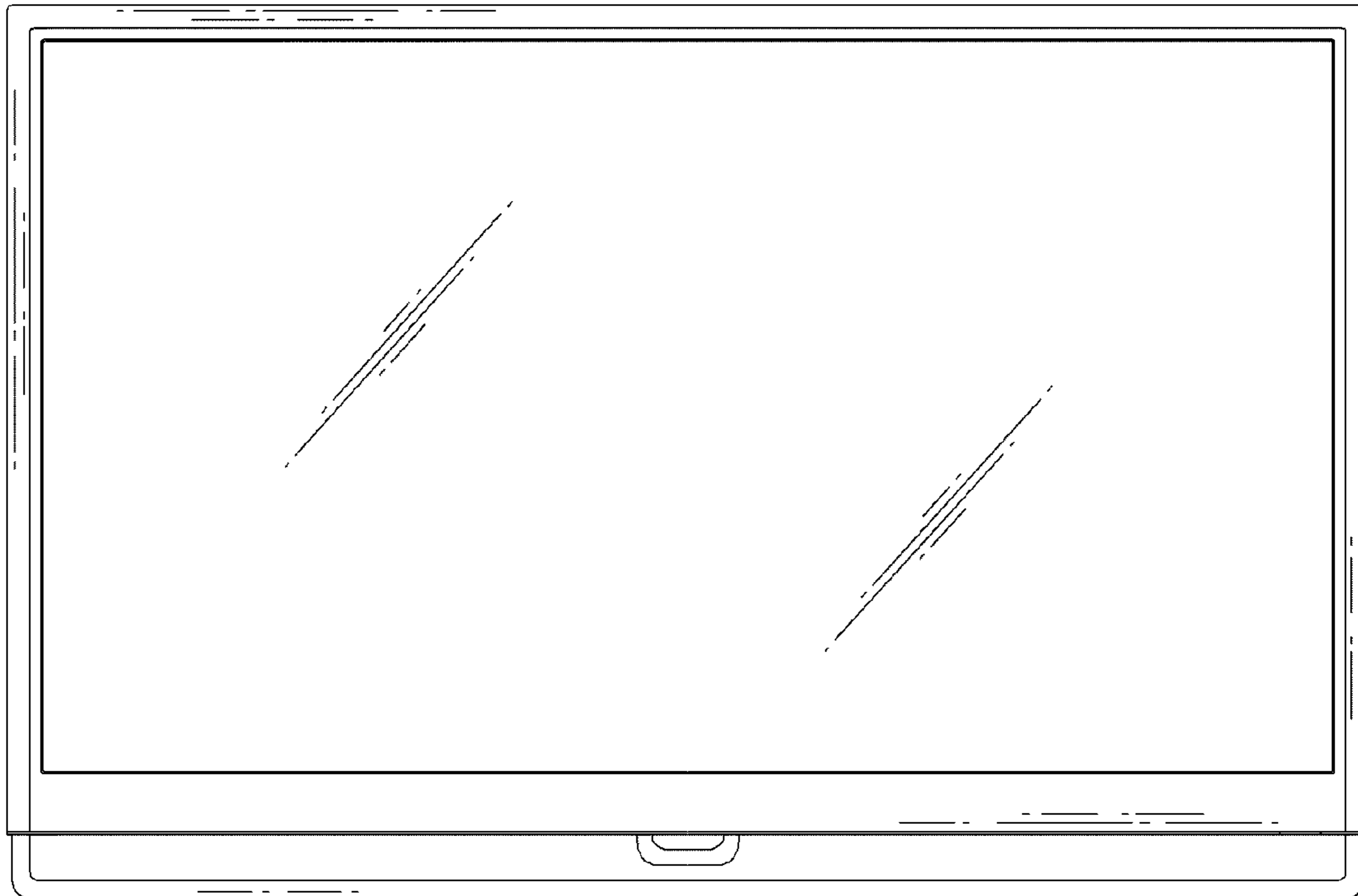


FIG. 3

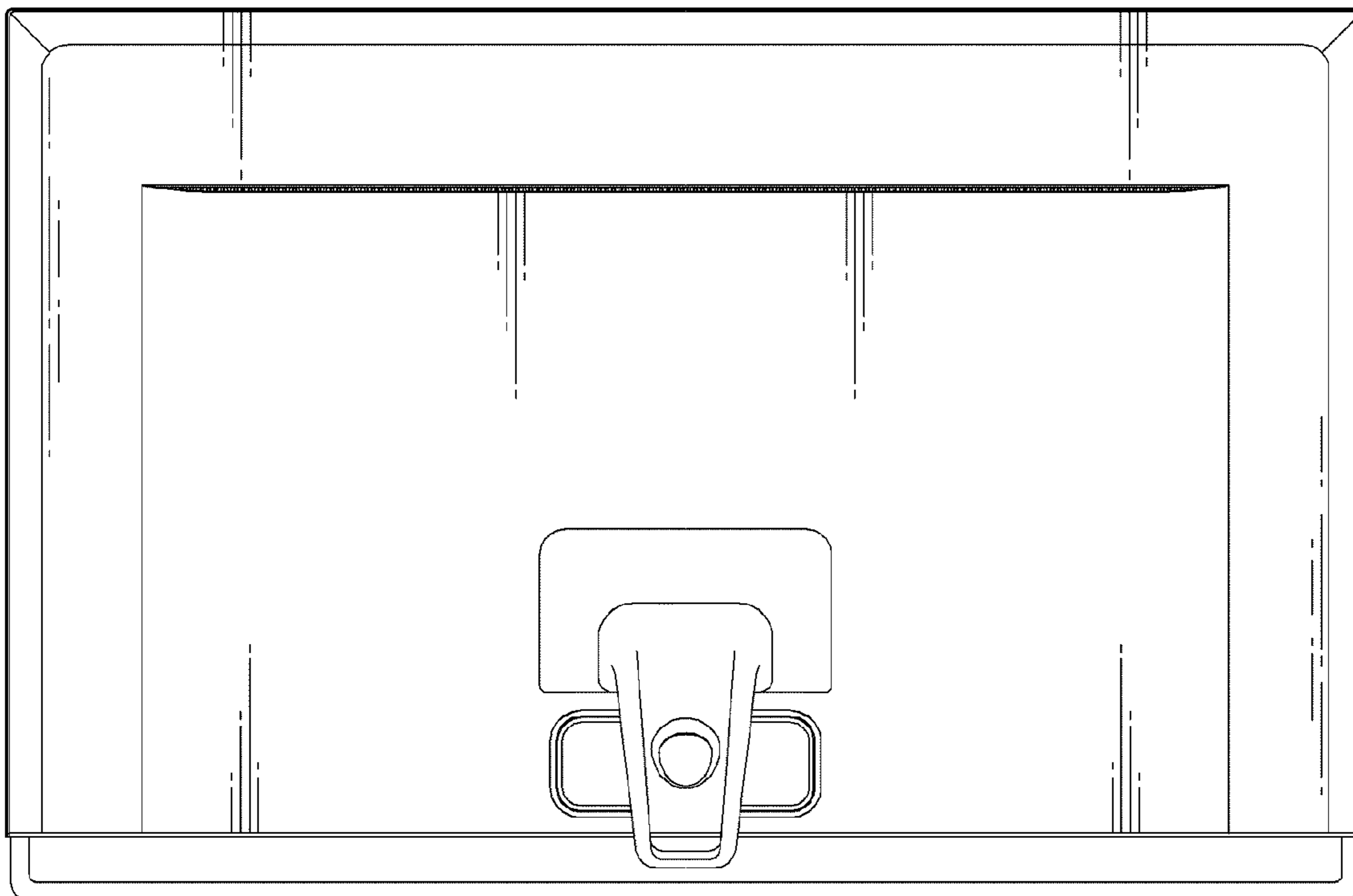


FIG. 4

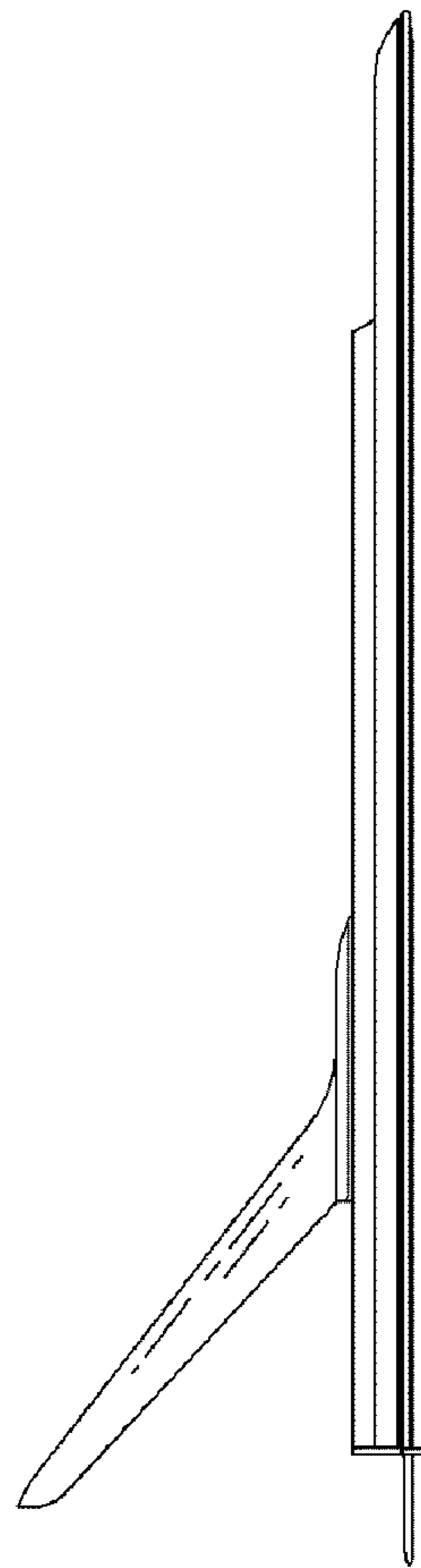


FIG. 5

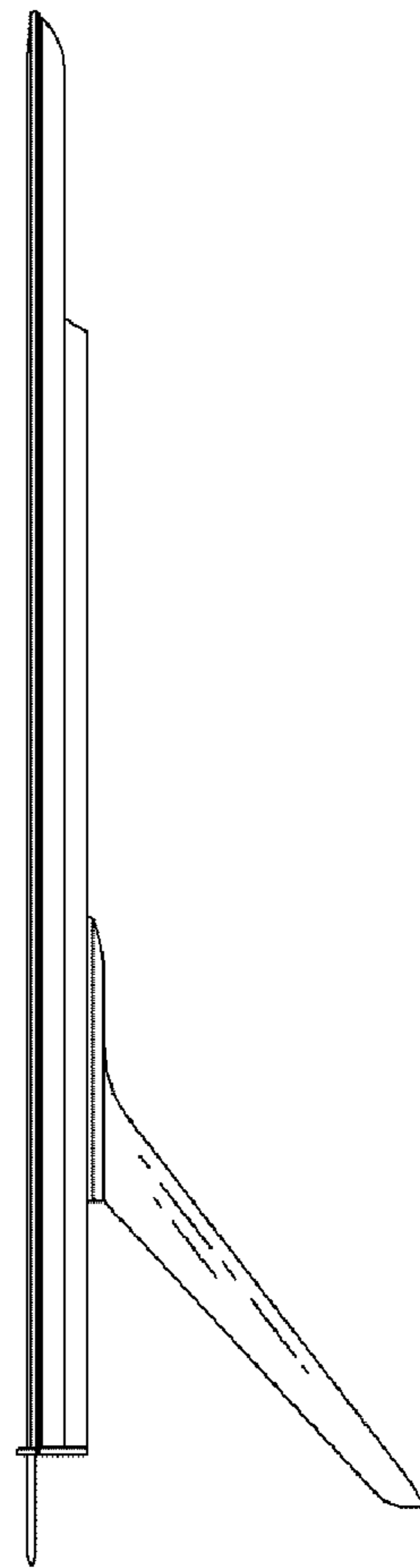


FIG. 6

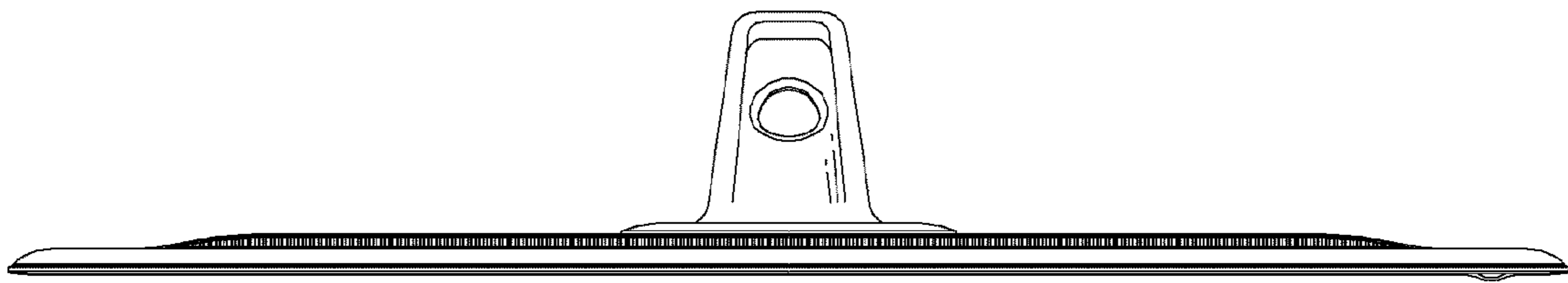


FIG. 7

