

US00D655683S

(12) **United States Design Patent**  
**Katsunuma**

(10) **Patent No.:** **US D655,683 S**  
(45) **Date of Patent:** **\*\* Mar. 13, 2012**

- (54) **TELEVISION RECEIVER**
- (75) Inventor: **Jun Katsunuma**, Tokyo (JP)
- (73) Assignee: **Sony Corporation**, Tokyo (JP)
- (\*\*) Term: **14 Years**
- (21) Appl. No.: **29/311,148**
- (22) Filed: **Jan. 5, 2009**

(58) **Field of Classification Search** ..... D14/125–134,  
D14/239, 371, 136, 374–377, 440, 450, 448,  
D14/336, 342; 312/7.2; 348/836, 838, 180,  
348/184, 325, 739; 341/12; 248/917–924,  
248/465; 345/104, 133, 156, 168, 87, 173;  
720/605, 669, 600, 655; 369/99, 197; D21/329,  
D21/515, 577, 622, 333, 433, 448, 452, 450,  
D21/331; D6/477, 479, 300; 273/148 B;  
446/484, 175, 356; D10/15, 26  
See application file for complete search history.

**Related U.S. Application Data**

- (63) Continuation-in-part of application No. 29/300,719,  
filed on Apr. 30, 2008.

**Foreign Application Priority Data**

- (30)
 

Nov. 2, 2007	(JP)	.....	D2007-030479
Nov. 2, 2007	(JP)	.....	D2007-030480
Nov. 2, 2007	(JP)	.....	D2007-030481
Nov. 2, 2007	(JP)	.....	D2007-030482
Dec. 26, 2007	(JP)	.....	D2007-035618
Dec. 26, 2007	(JP)	.....	D2007-035619
Dec. 26, 2007	(JP)	.....	D2007-035620
Dec. 26, 2007	(JP)	.....	D2007-035621
Dec. 28, 2007	(JP)	.....	D2007-036207
Dec. 28, 2007	(JP)	.....	D2007-036209
Jul. 4, 2008	(JP)	.....	D2008-017360
Jul. 4, 2008	(JP)	.....	D2008-017361
Jul. 4, 2008	(JP)	.....	D2008-017362
Jul. 4, 2008	(JP)	.....	D2008-017363
Jul. 4, 2008	(JP)	.....	D2008-017364
Jul. 4, 2008	(JP)	.....	D2008-017365
Jul. 4, 2008	(JP)	.....	D2008-017366
Jul. 4, 2008	(JP)	.....	D2008-017367
Jul. 4, 2008	(JP)	.....	D2008-017368
Jul. 4, 2008	(JP)	.....	D2008-017369
Jul. 4, 2008	(JP)	.....	D2008-017370
Jul. 4, 2008	(JP)	.....	D2008-017371

- (51) **LOC (9) Cl.** ..... **14-03**
- (52) **U.S. Cl.** ..... **D14/126**

(56) **References Cited**

**U.S. PATENT DOCUMENTS**

D475,356 S	6/2003	Niitsu	
D488,451 S	4/2004	Niitsu	
D500,991 S	1/2005	Niitsu	
D539,766 S *	4/2007	Kita	..... D14/126
D549,673 S *	8/2007	Niitsu	..... D14/126
D552,570 S	10/2007	Niitsu	
D560,625 S	1/2008	Niitsu	
D569,816 S *	5/2008	Fujiki	..... D14/126
D571,745 S	6/2008	Fujiki	
D591,250 S *	4/2009	Yoshimura	..... D14/126

\* cited by examiner

*Primary Examiner* — Raphael Barkai

(74) *Attorney, Agent, or Firm* — Rader, Fishman & Grauer  
PLLC

(57) **CLAIM**

The ornamental design for a television receiver, as shown and described.

**DESCRIPTION**

FIG. 1 is a perspective view of a television receiver showing my new design;  
FIG. 2 is a front elevational view thereof;  
FIG. 3 is a rear elevational view thereof;  
FIG. 4 is a partially enlarged view thereof, taken along lines 4-4 and 4'-4' of FIG. 1; and,  
FIG. 5 is a partially enlarged view thereof take along lines 5-5 and 5'-5' of FIG. 1.  
The portions shown as even broken lines are for illustrative purpose only and form no part of the claimed design. The dot-dash broken lines define the boundaries of, but are not included in, the claimed design.

**1 Claim, 5 Drawing Sheets**

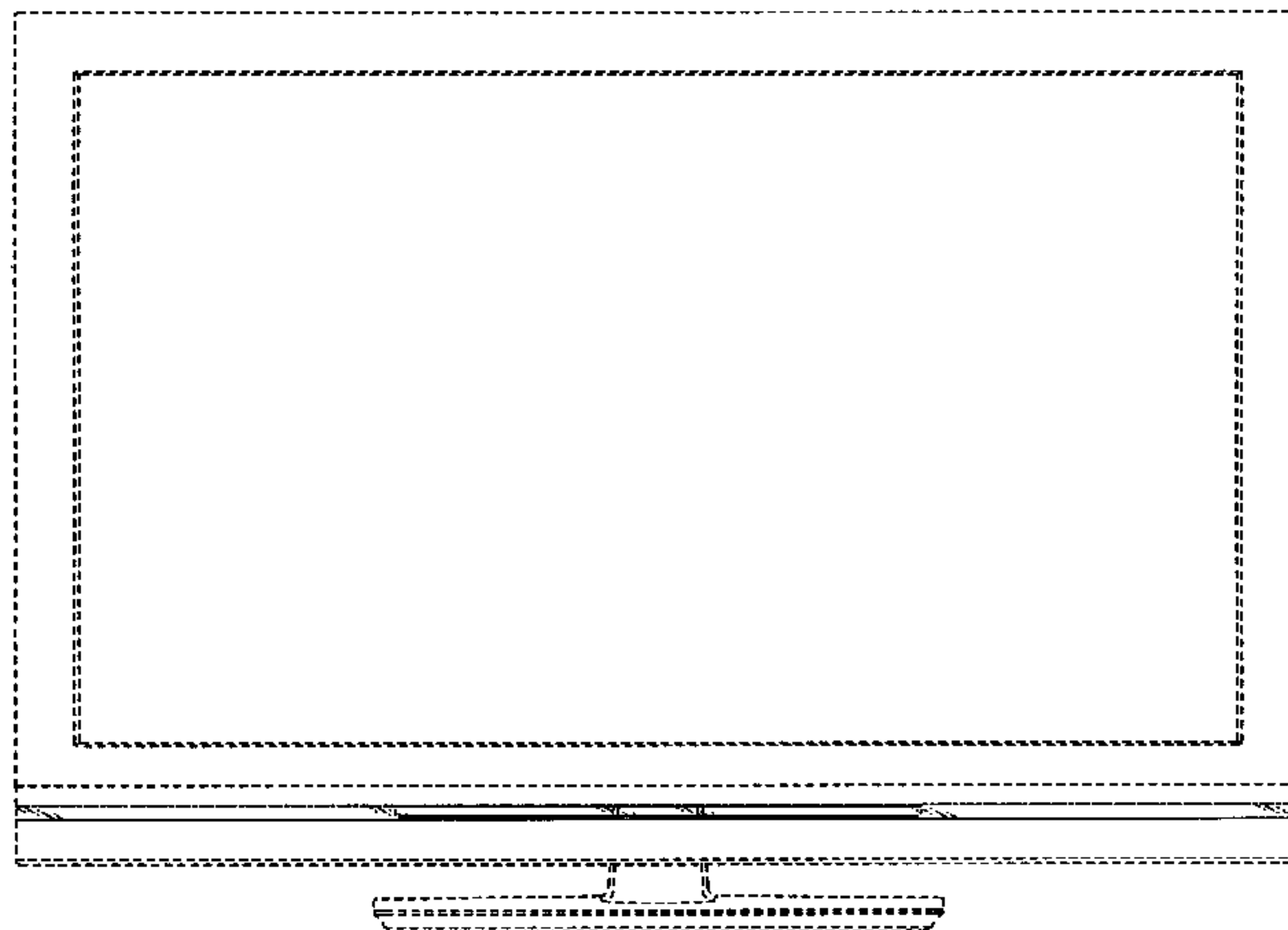
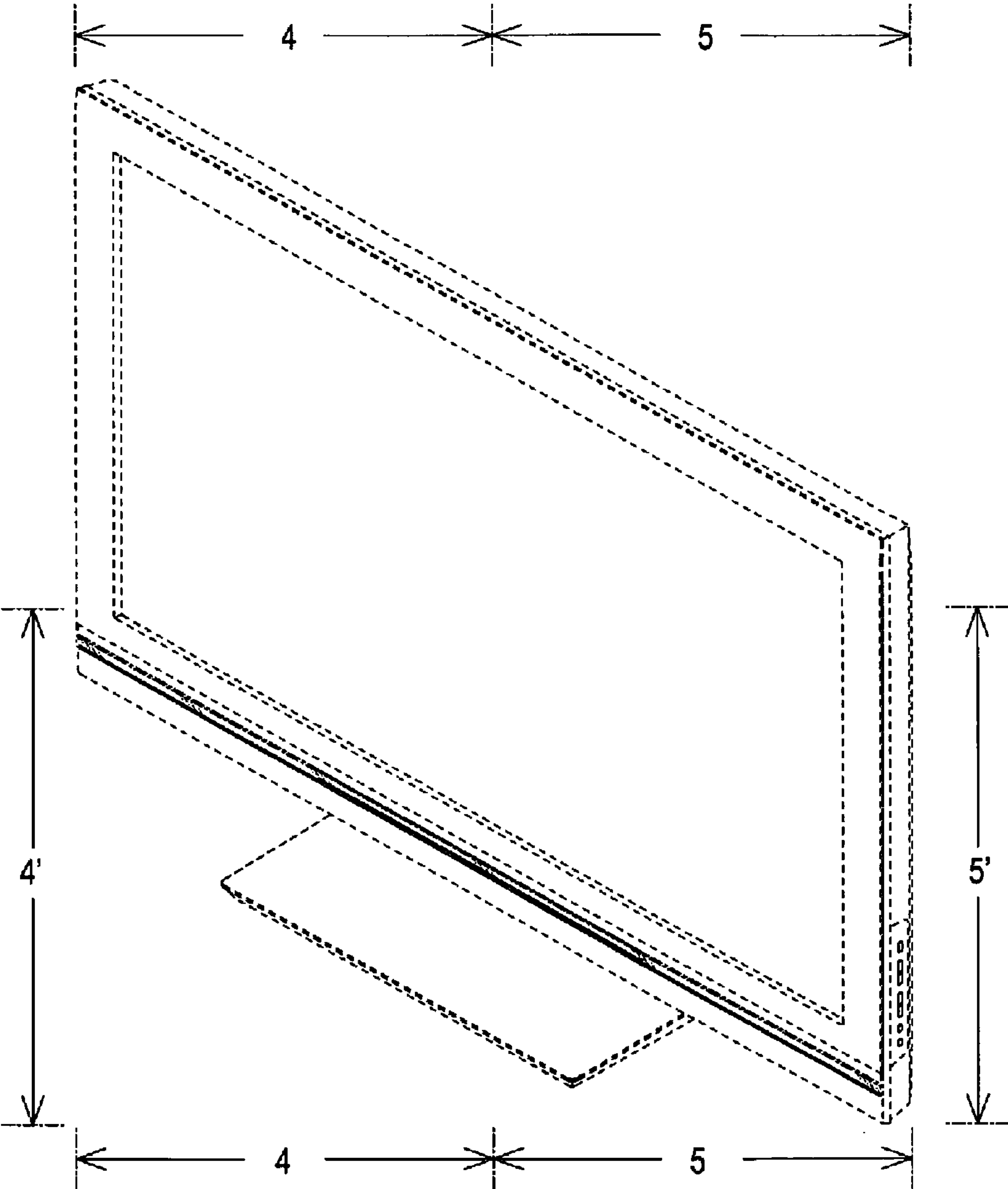


Fig.1



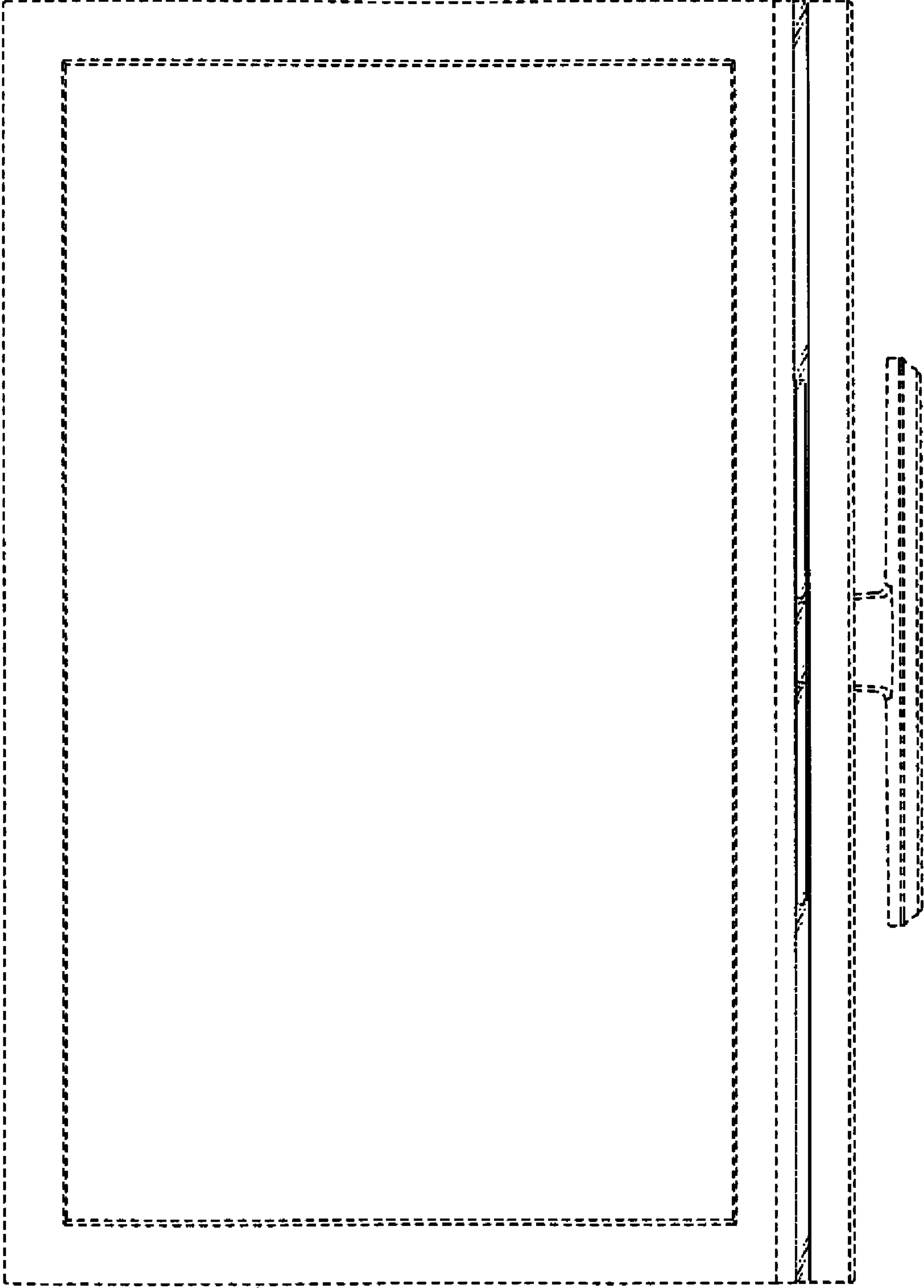


Fig.2

Fig.3

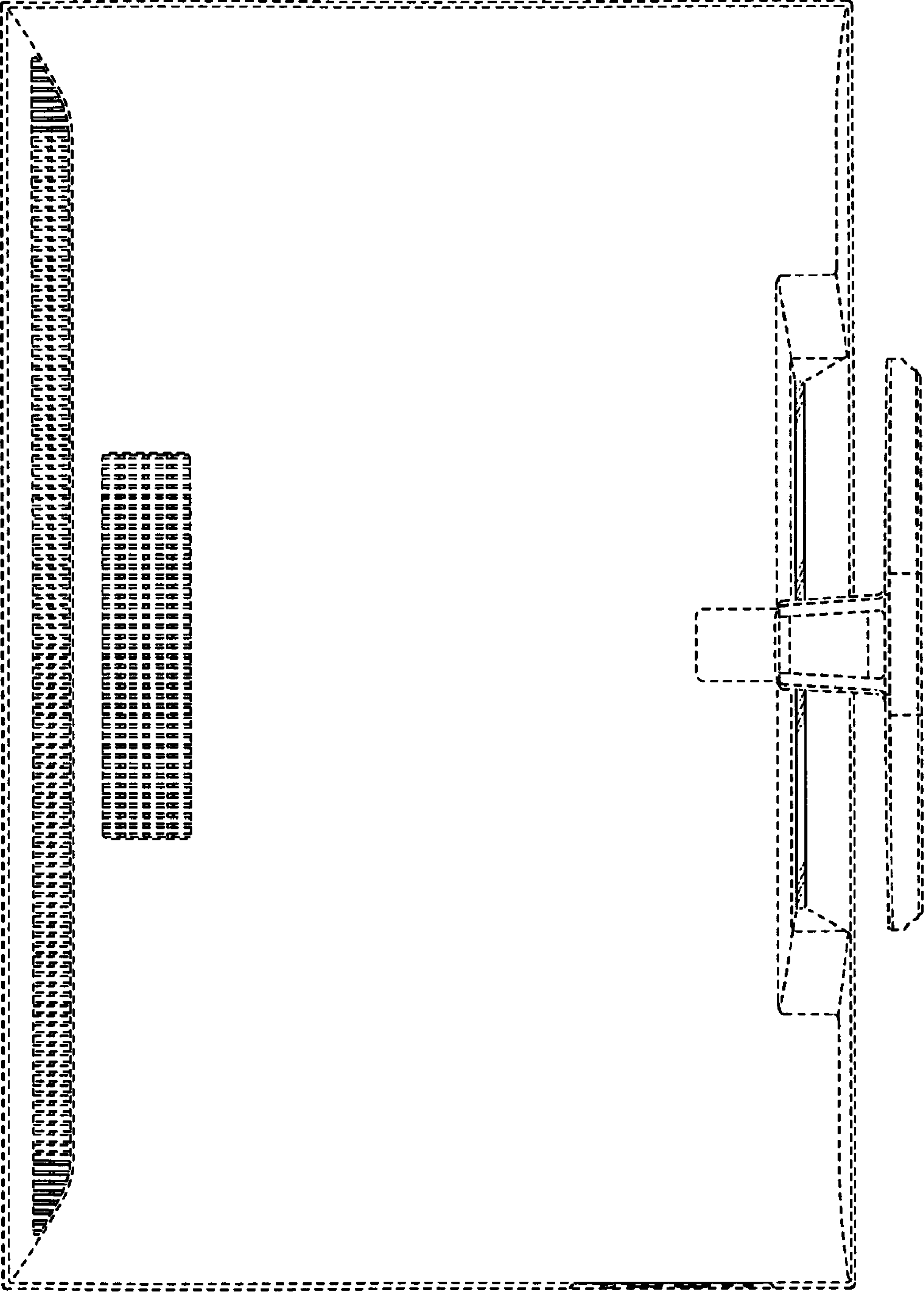


Fig.4

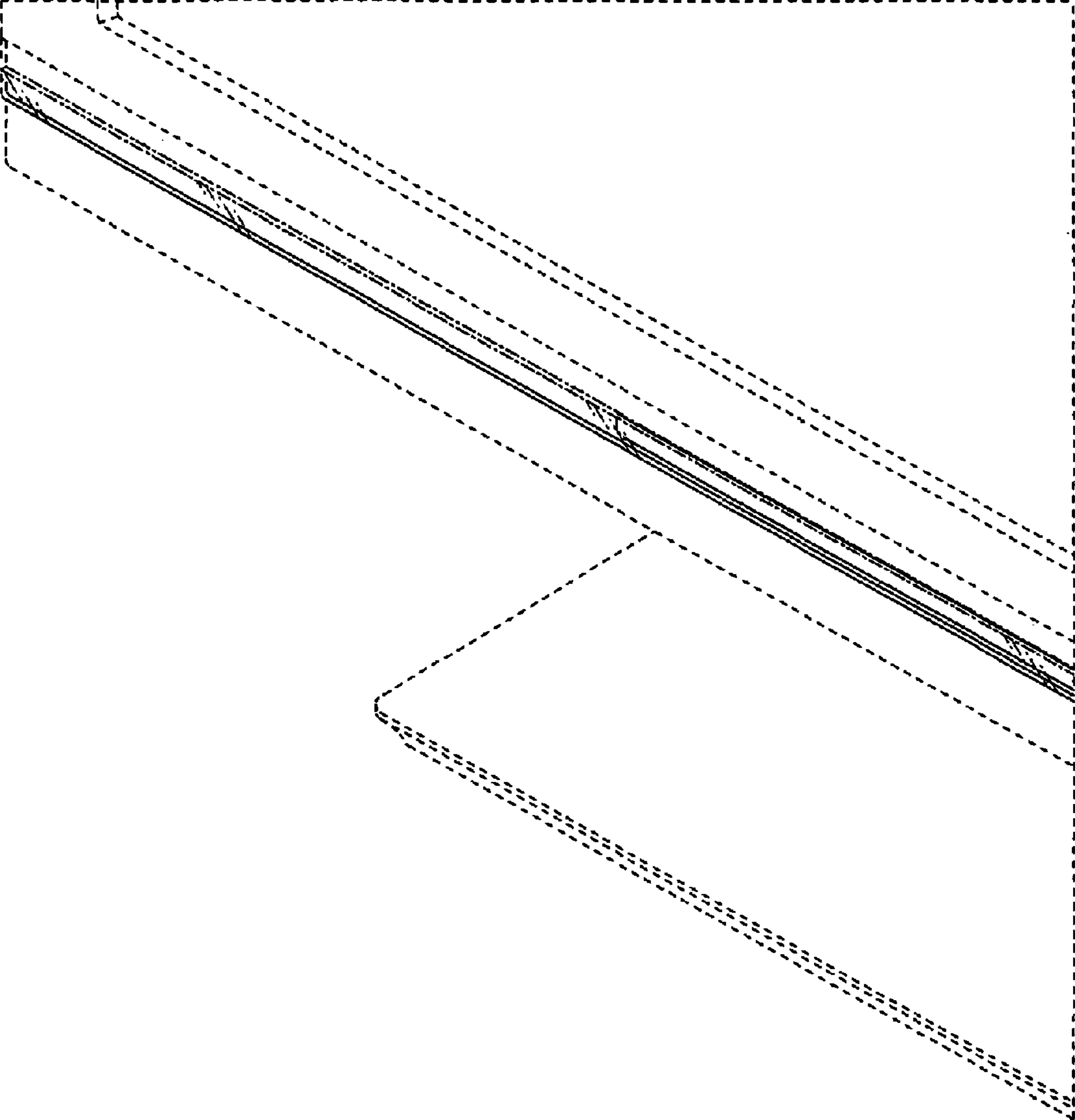




Fig.5

