

US00D655681S

(12) **United States Design Patent**
Shiraki

(10) **Patent No.:** **US D655,681 S**

(45) **Date of Patent:** **** Mar. 13, 2012**

(54) **FUSE**

(75) Inventor: **Takashi Shiraki**, Yokkaichi (JP)

(73) Assignee: **Sumitomo Wiring Systems, Ltd.**,
Mie-ken (JP)

(**) Term: **14 Years**

(21) Appl. No.: **29/365,922**

(22) Filed: **Jul. 16, 2010**

(30) **Foreign Application Priority Data**

Jun. 7, 2010 (JP) 2010-014015

(51) **LOC (9) Cl.** **13-03**

(52) **U.S. Cl.** **D13/161**

(58) **Field of Classification Search** D13/133,
D13/146, 147, 153, 154, 160, 161, 184, 199;
439/606, 638, 668, 669, 701, 740; D3/215,
D3/218; D14/188, 226, 251, 256, 496, 217,
D14/223

See application file for complete search history.

(56) **References Cited**

U.S. PATENT DOCUMENTS

D56,907 S *	1/1921	Bissell	D13/161
D406,111 S *	2/1999	Awbrey	D13/178
6,956,177 B2 *	10/2005	Tanaka	200/61.54
D550,631 S *	9/2007	Murakami	D13/161

* cited by examiner

Primary Examiner — Thomas Johannes

(74) *Attorney, Agent, or Firm* — Fish & Richardson P.C.

(57) **CLAIM**

The ornamental design for a fuse, as shown and described.

DESCRIPTION

FIG. 1 is a front perspective view of a fuse showing my new design;

FIG. 2 is a rear perspective view thereof;

FIG. 3 is a front view thereof;

FIG. 4 is a rear view thereof;

FIG. 5 is a top plan view thereof;

FIG. 6 is a bottom plan view thereof;

FIG. 7 is a right side view thereof; and,

FIG. 8 is a left side view thereof.

The broken line portion of the figure drawings is included to show unclaimed subject matter only and forms no part of the claimed design.

1 Claim, 8 Drawing Sheets

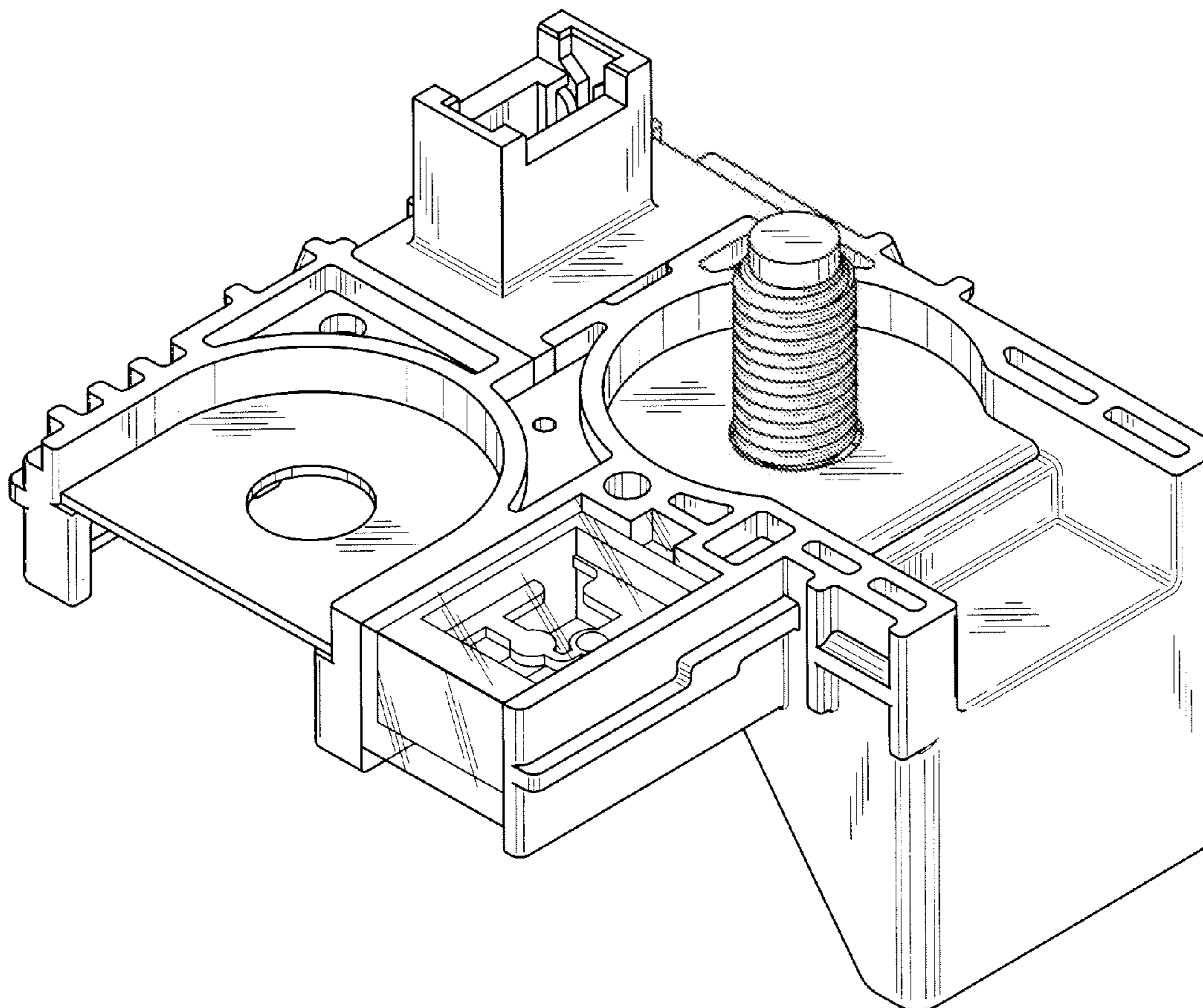


Fig. 1

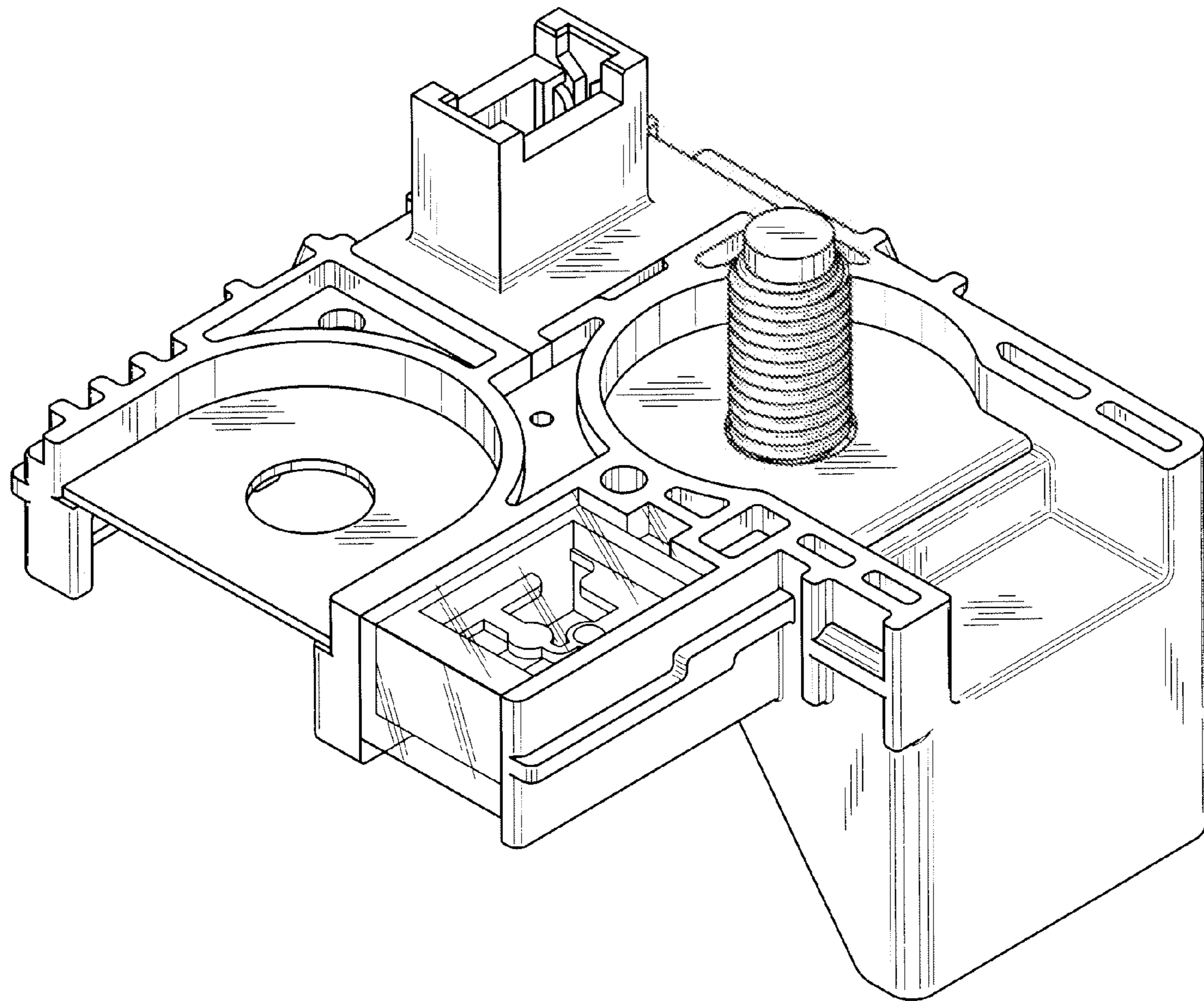


Fig. 2

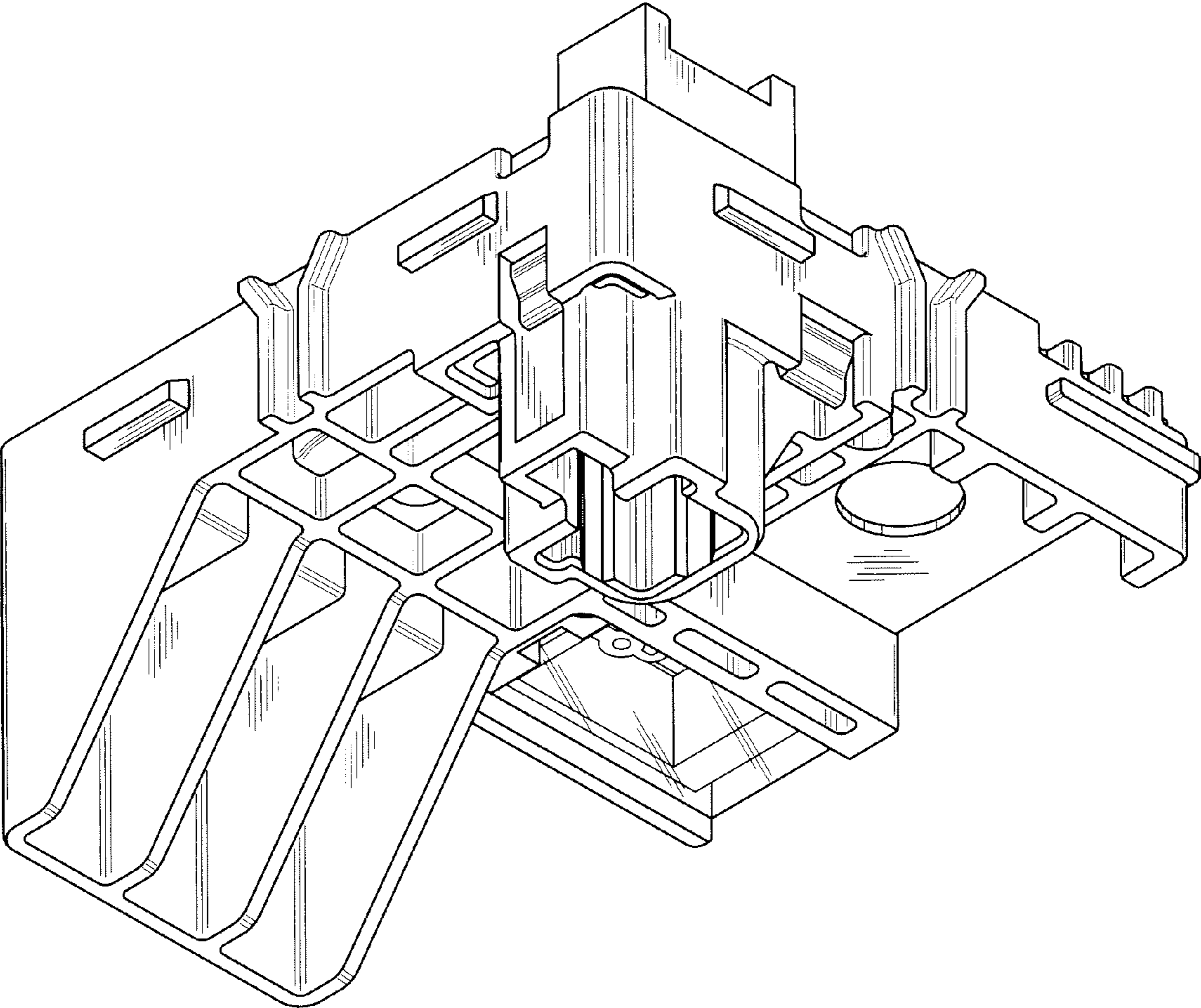


Fig. 3

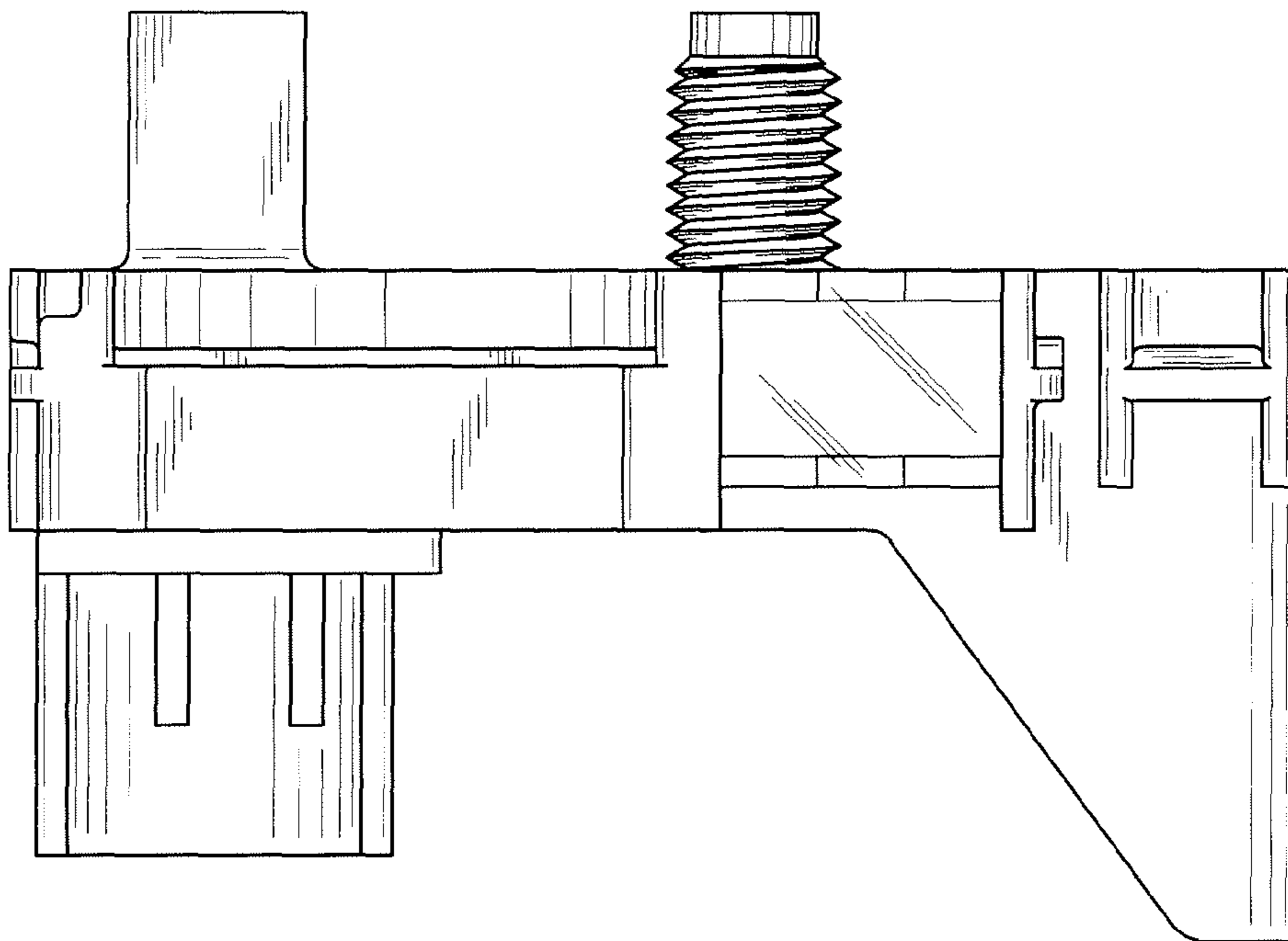


Fig. 4

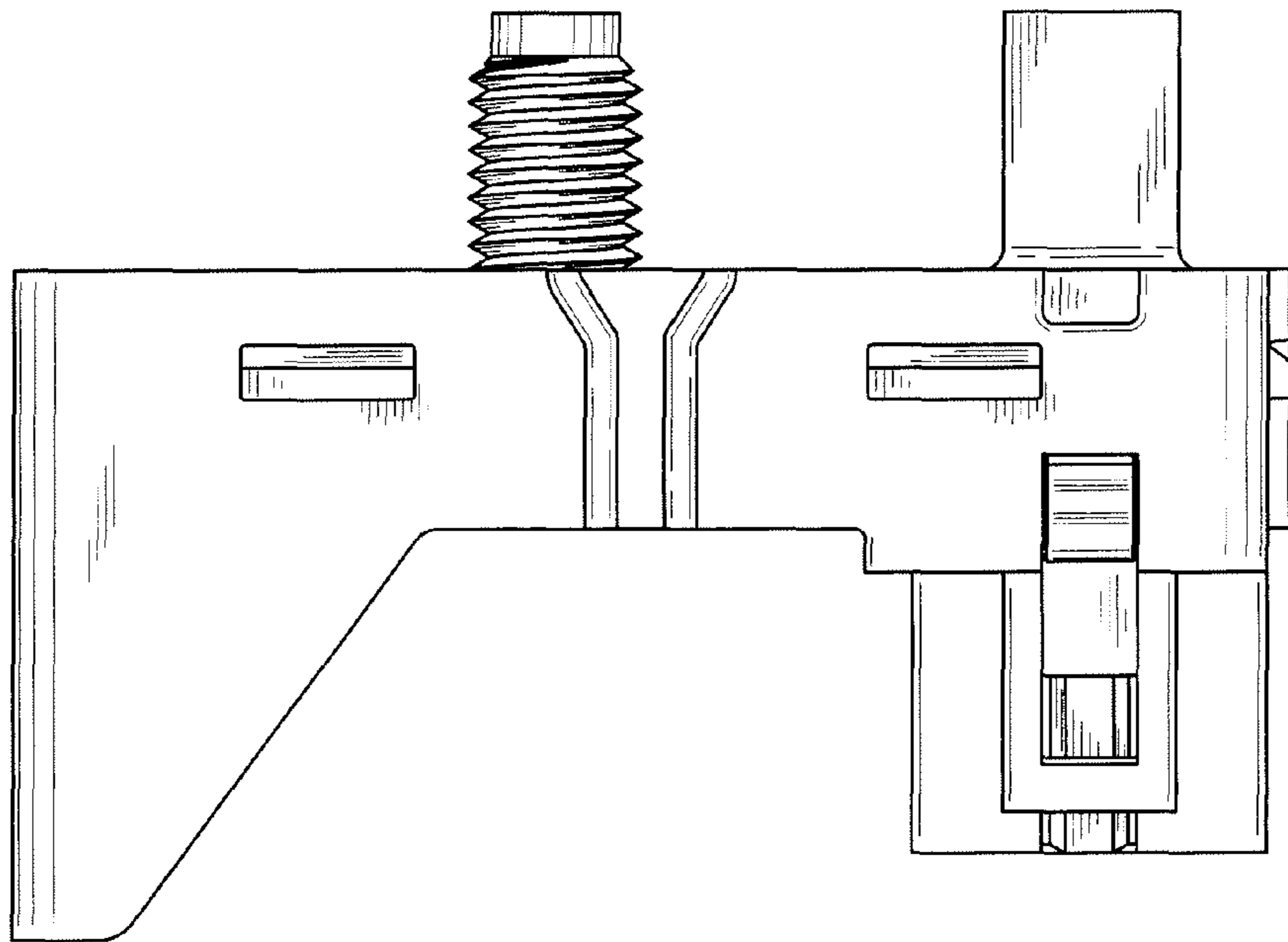


Fig. 5

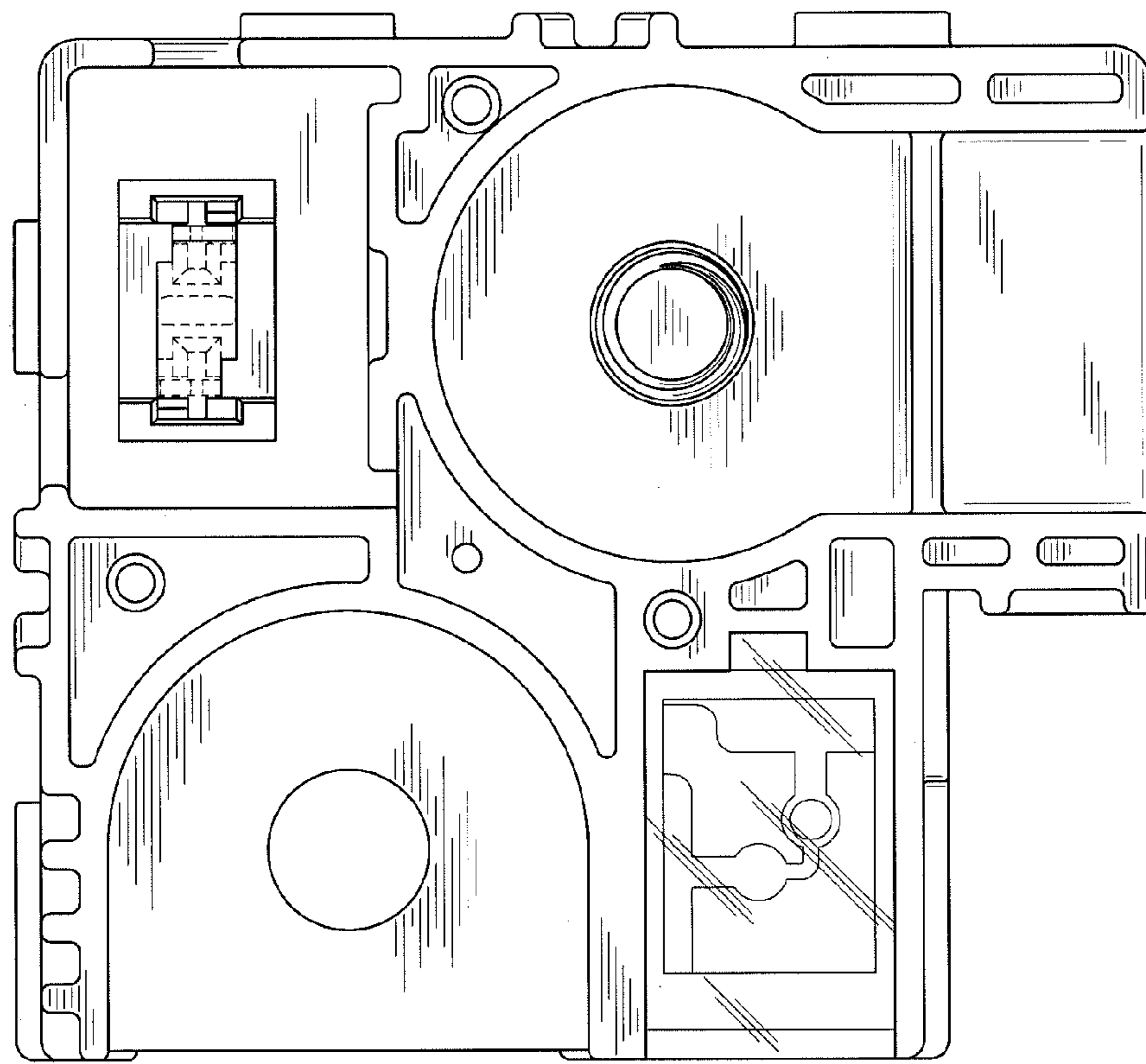


Fig. 6

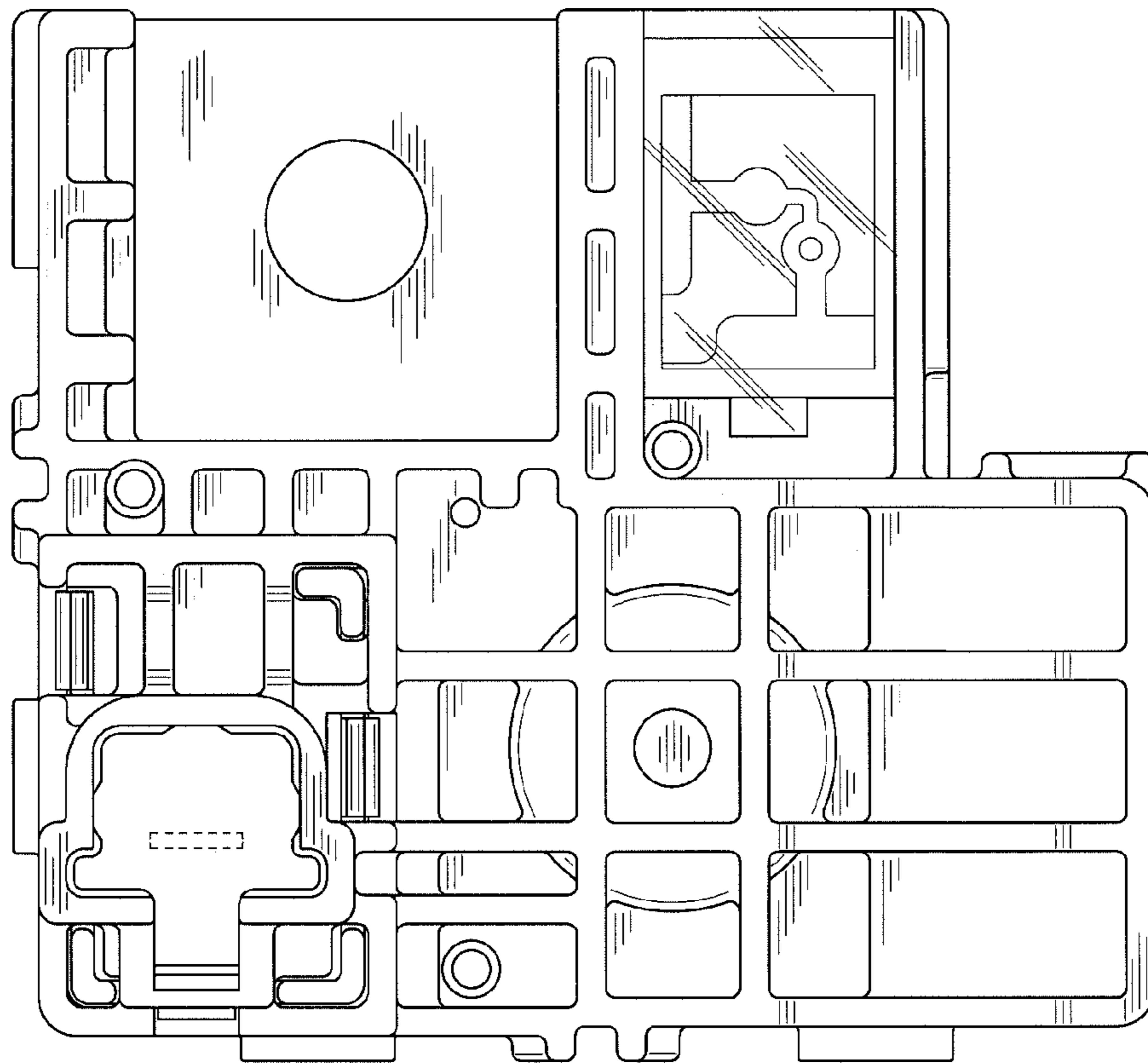


Fig. 7

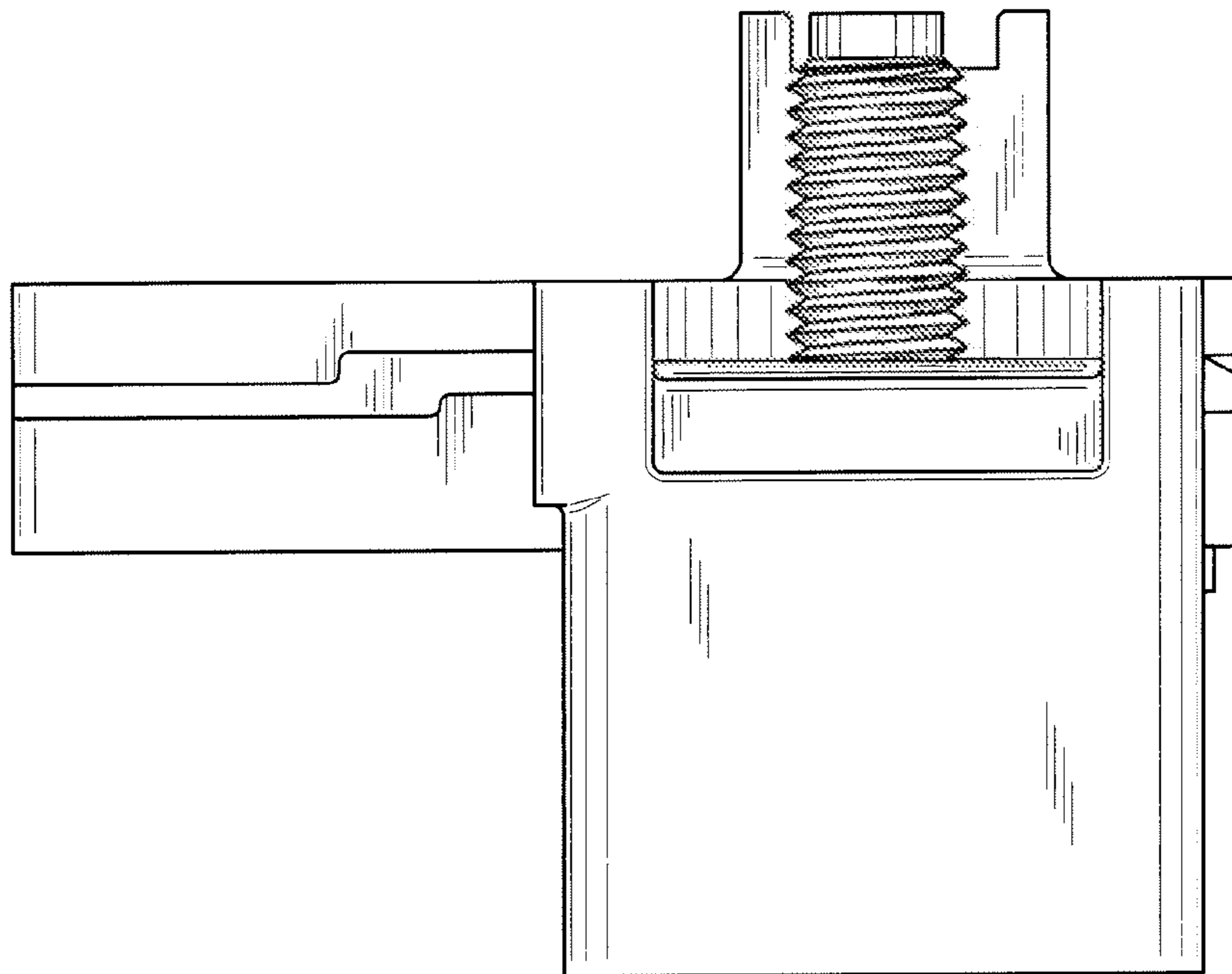


Fig. 8

