

US00D655679S

(12) **United States Design Patent**
Li et al.

(10) **Patent No.:** **US D655,679 S**
(45) **Date of Patent:** **** Mar. 13, 2012**

(54) **RECEPTACLE CONNECTOR**

(75) Inventors: **Yong-Quan Li**, Guang-Dong (CN);
Zhu-Rui Liu, Guang-Dong (CN);
Jui-Ming Chang, New Taipei (TW)

(73) Assignee: **Cheng Uei Precision Industry Co., Ltd.**, New Taipei (TW)

(**) Term: **14 Years**

(21) Appl. No.: **29/400,313**

(22) Filed: **Aug. 25, 2011**

(51) **LOC (9) Cl.** **13-03**

(52) **U.S. Cl.** **D13/147**

(58) **Field of Classification Search** D13/147,
D13/154, 184, 199; 439/79, 108, 378, 567,
439/607.01, 607.04, 607.05, 607.17, 607.25,
439/607.34, 607.41, 607.53, 668, 680
See application file for complete search history.

(56) **References Cited**

U.S. PATENT DOCUMENTS

D391,551 S * 3/1998 Ono D13/147
D478,551 S * 8/2003 Zhang et al. D13/147
D618,622 S * 6/2010 Chiang et al. D13/147

D635,926 S * 4/2011 Yu D13/147
D639,247 S * 6/2011 Xie et al. D13/147
D641,706 S * 7/2011 Li et al. D13/147

* cited by examiner

Primary Examiner — Daniel Bui

(74) *Attorney, Agent, or Firm* — Cheng-Ju Chiang

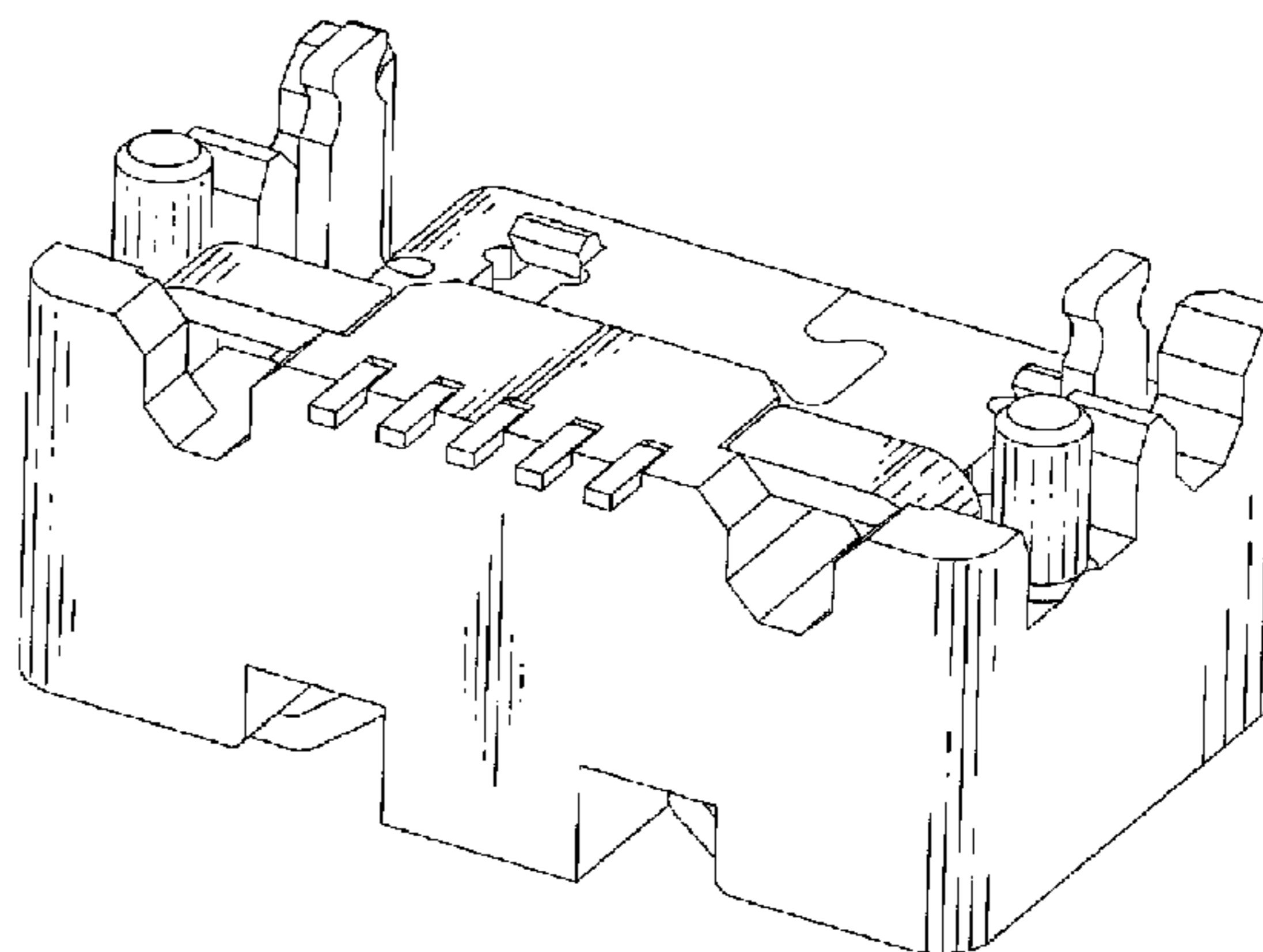
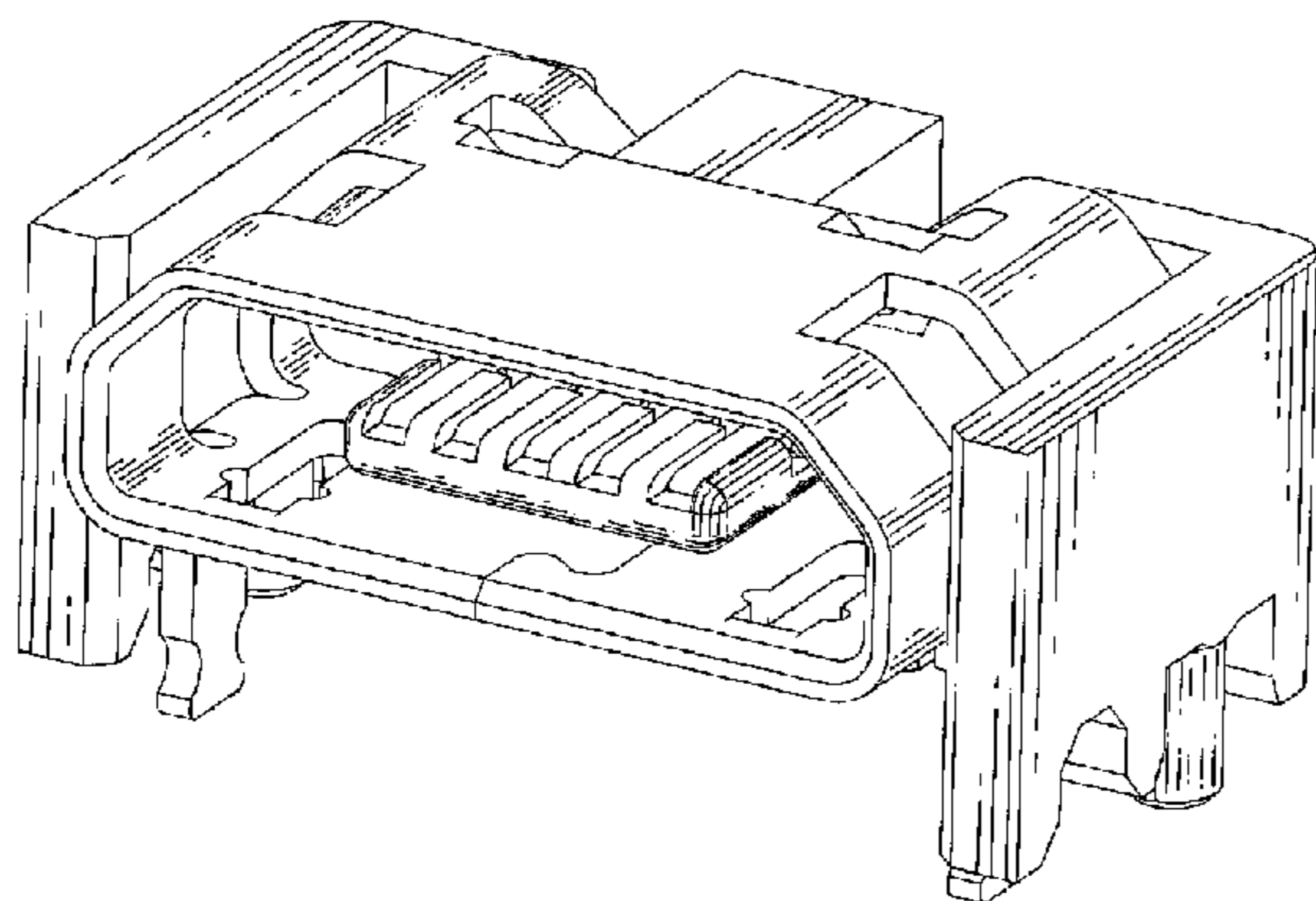
(57) **CLAIM**

The ornamental design for a receptacle connector, as shown and described.

DESCRIPTION

FIG. 1 is a perspective view of a receptacle connector showing our new design;
FIG. 2 is a front elevational view thereof;
FIG. 3 is a rear elevational view thereof;
FIG. 4 is a left side elevational view thereof;
FIG. 5 is a right side elevational view thereof;
FIG. 6 is a top plan view thereof;
FIG. 7 is a bottom plan view thereof; and,
FIG. 8 is another perspective view of the receptacle connector showing our new design.
The broken line portion of the figure drawings is included to show unclaimed subject matter only and forms no part of the claimed design.

1 Claim, 8 Drawing Sheets



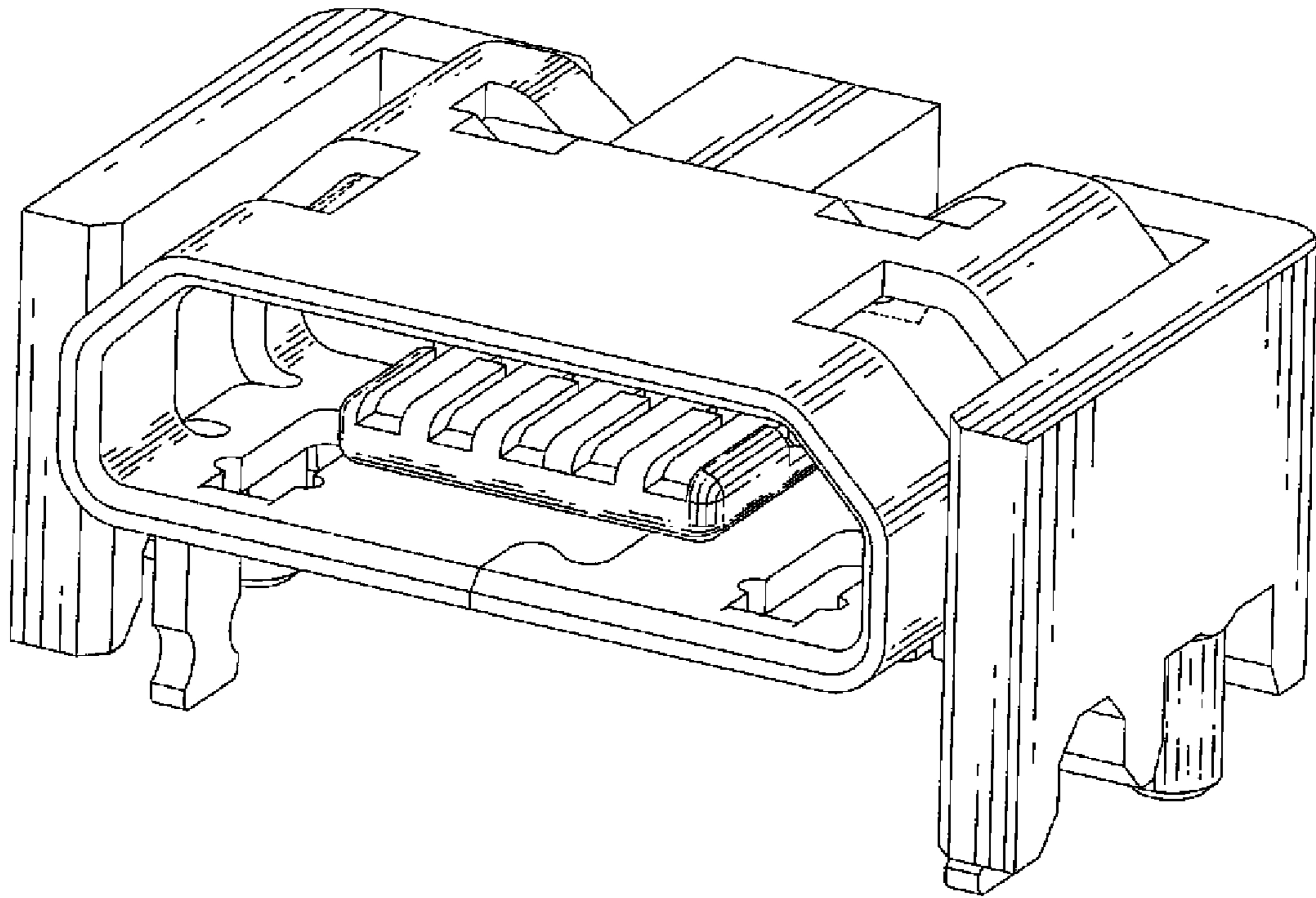


FIG. 1

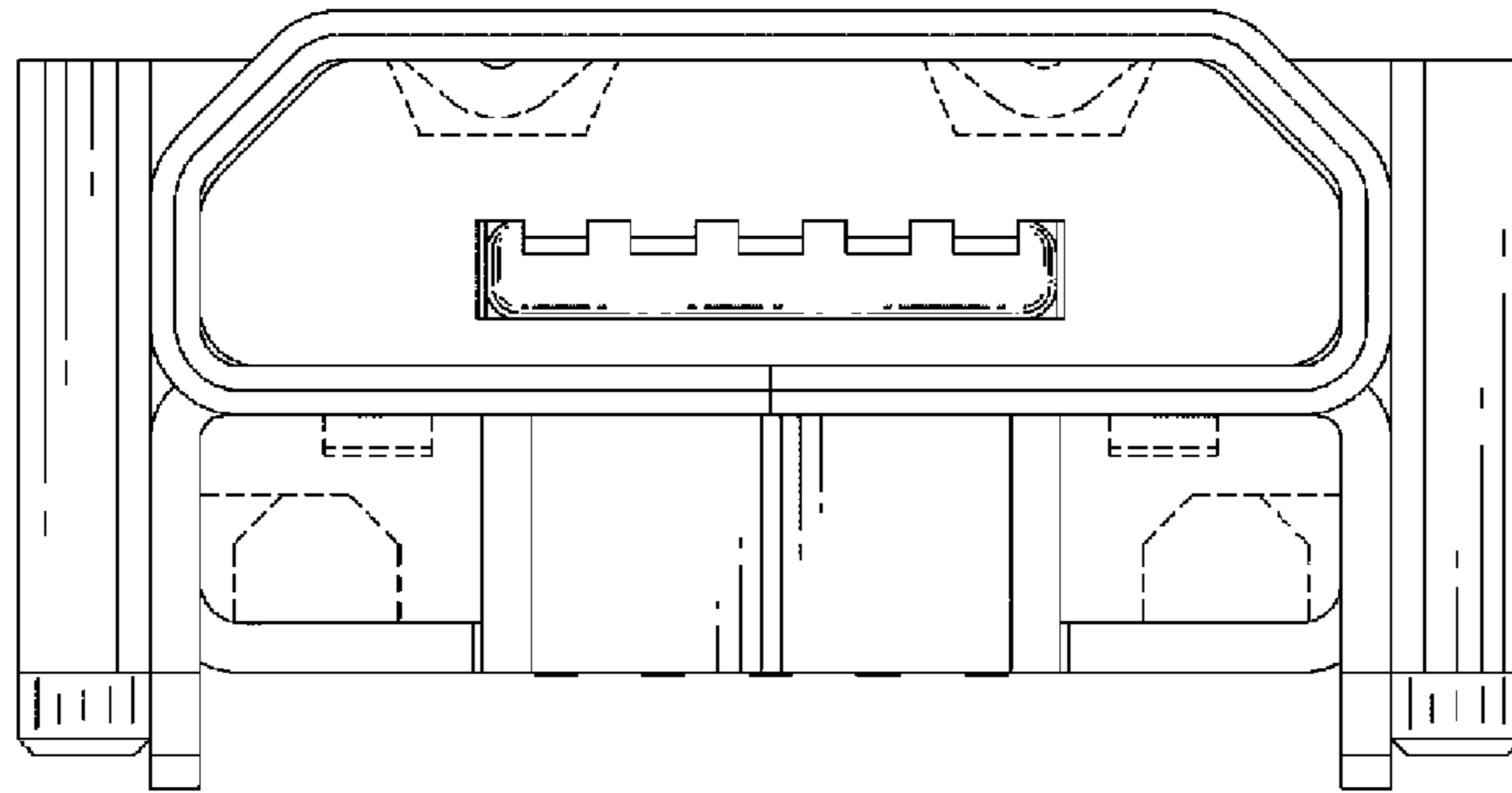


FIG. 2

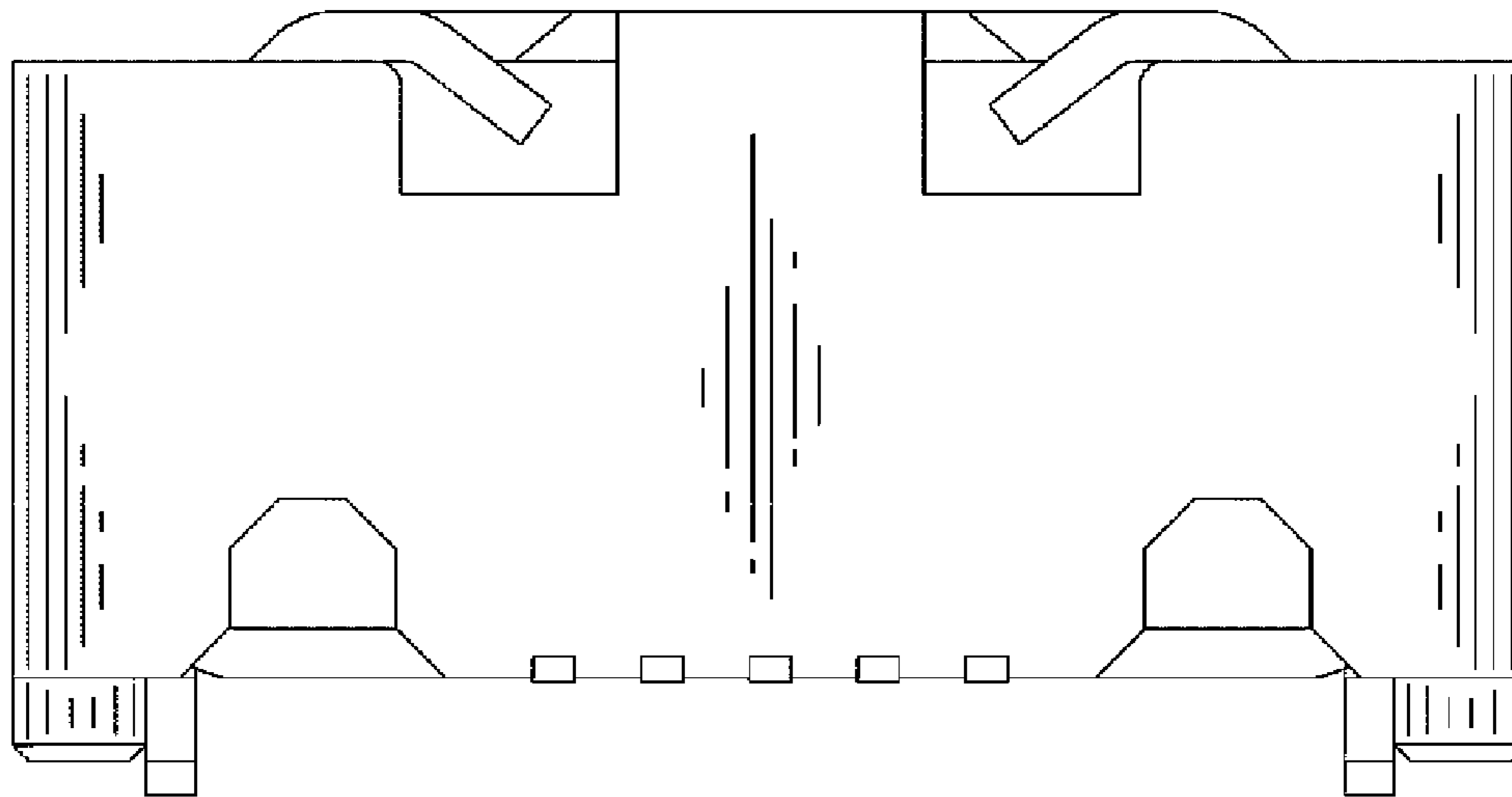


FIG. 3

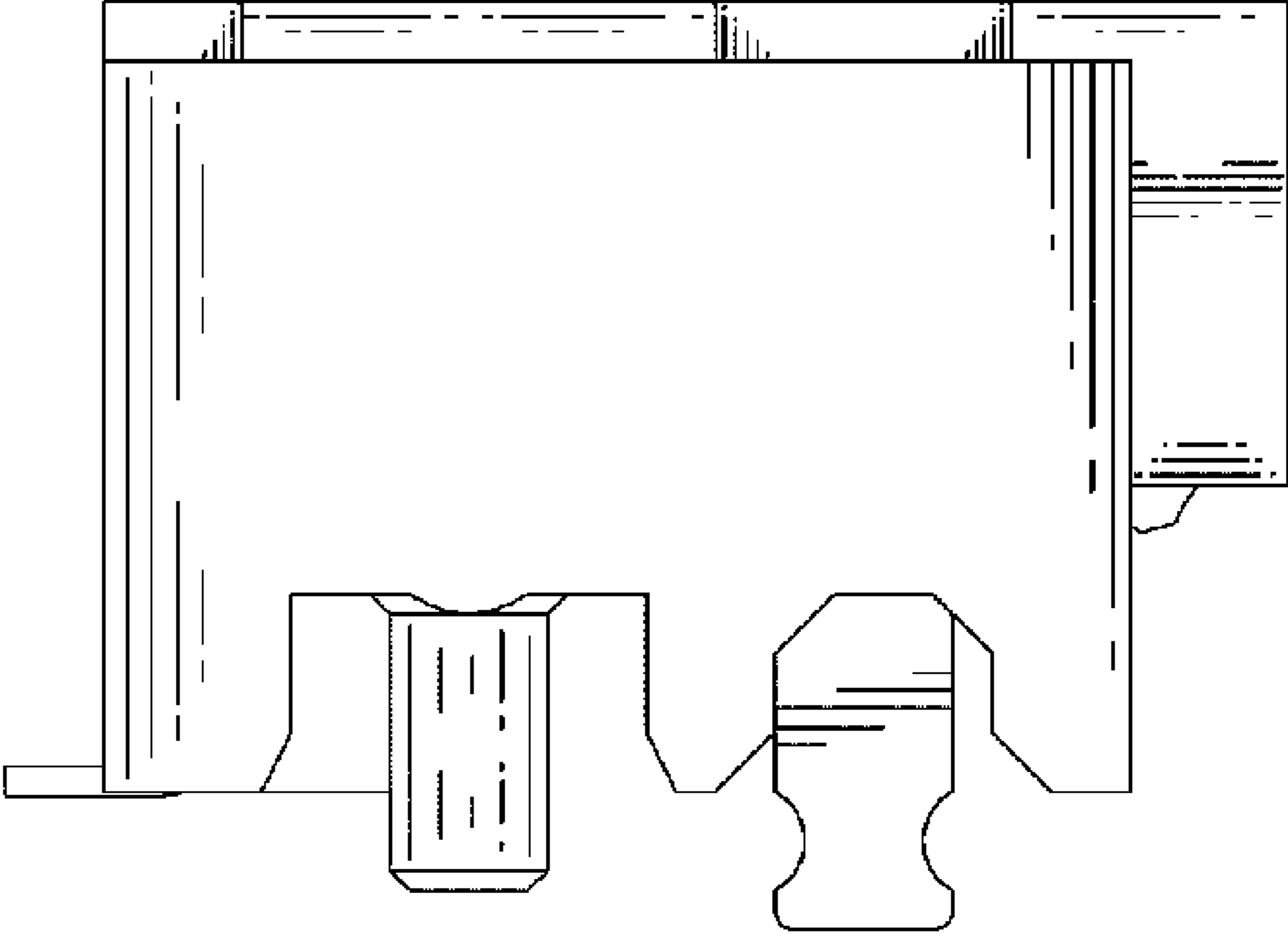


FIG. 4

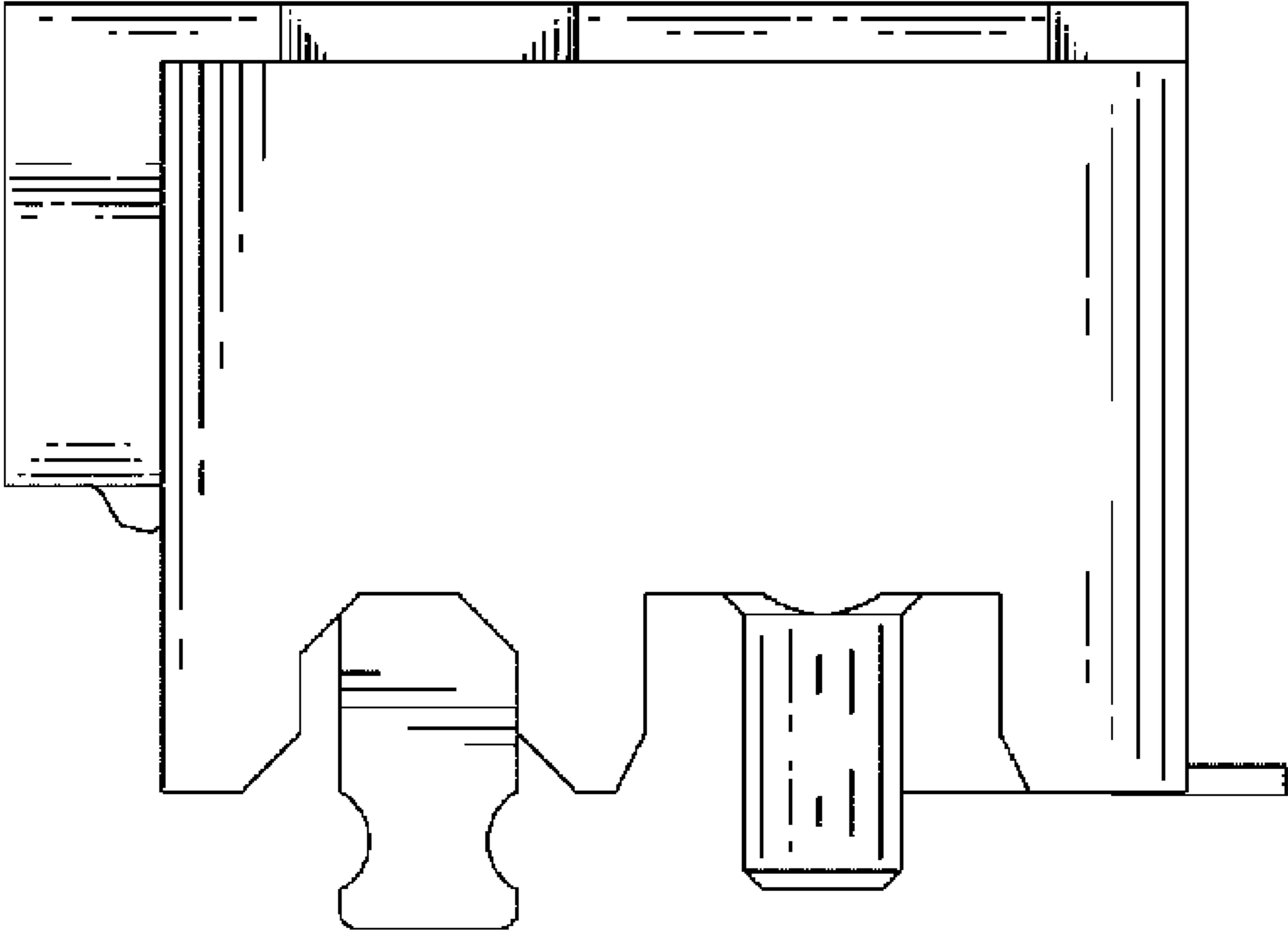


FIG. 5

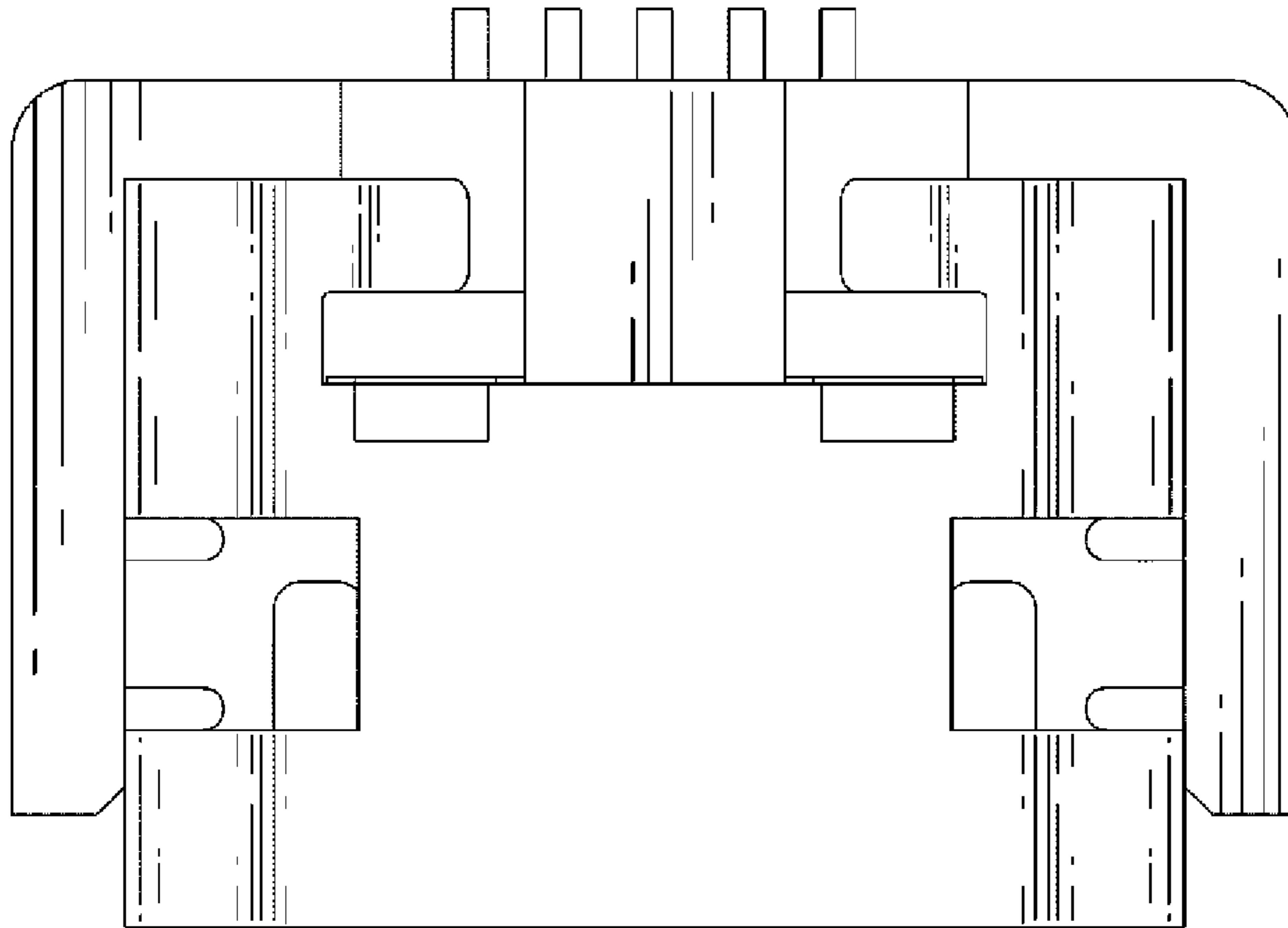


FIG. 6

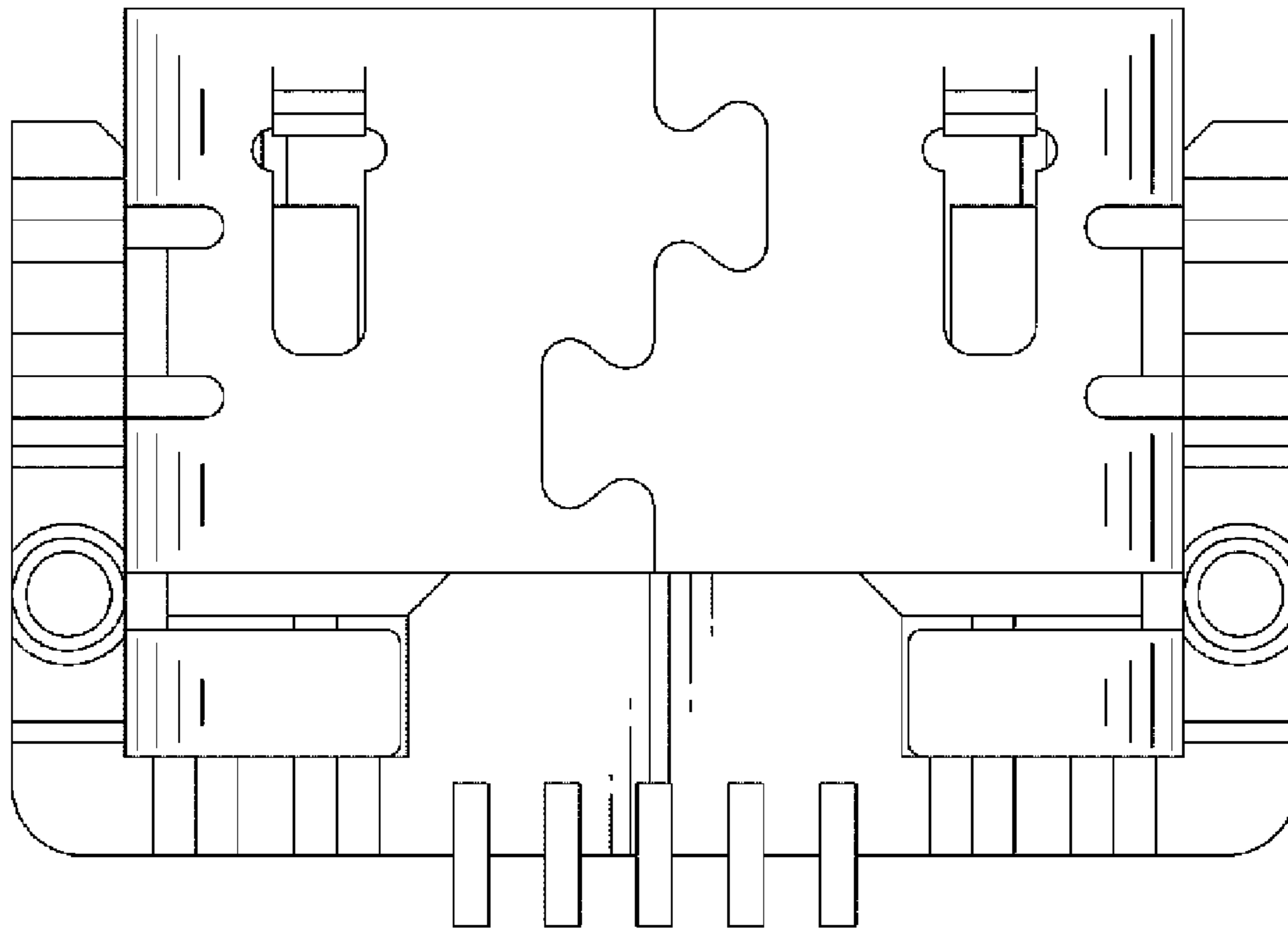


FIG. 7

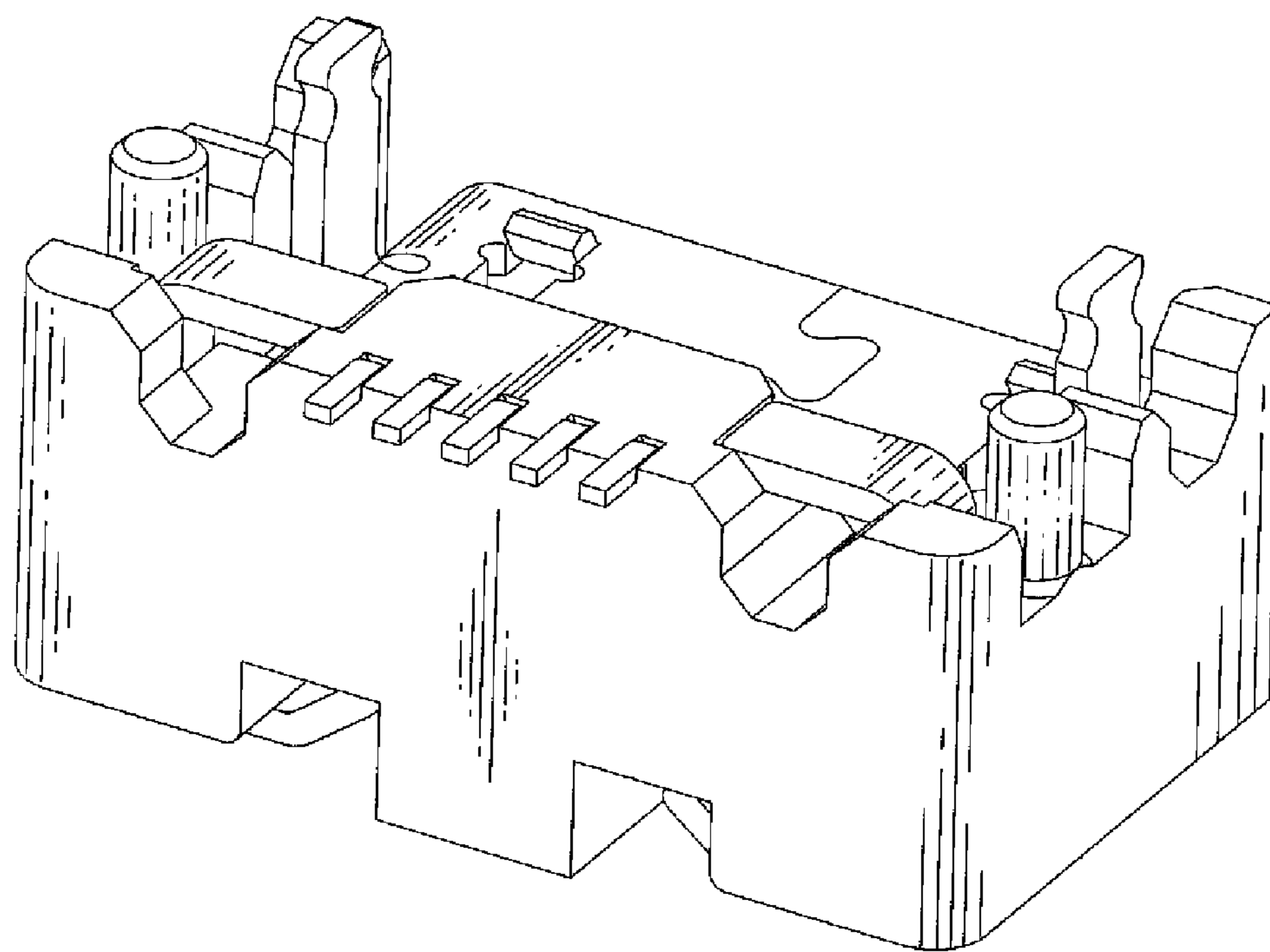


FIG. 8