

US00D655678S

(12) **United States Design Patent**
Kobayashi et al.

(10) **Patent No.:** **US D655,678 S**
(45) **Date of Patent:** **** Mar. 13, 2012**

(54) **ELECTRICAL CONNECTOR**

- (75) Inventors: **Hideto Kobayashi**, Isesaki (JP);
Takayuki Nagata, Yao (JP)
- (73) Assignee: **Hosiden Corporation**, Yao-shi (JP)
- (**) Term: **14 Years**
- (21) Appl. No.: **29/389,443**
- (22) Filed: **Apr. 12, 2011**

(30) **Foreign Application Priority Data**

- Nov. 11, 2010 (JP) 2010-027113
- Nov. 11, 2010 (JP) 2010-027114
- Nov. 11, 2010 (JP) 2010-027115

- (51) **LOC (9) Cl.** **13-03**
- (52) **U.S. Cl.** **D13/147**
- (58) **Field of Classification Search** D13/147,
D13/154, 184, 199; 439/79, 108, 378, 567,
439/607.01, 607.04, 607.05, 607.17, 607.25,
439/607.34, 607.41, 607.53, 668, 680
See application file for complete search history.

(56) **References Cited**

U.S. PATENT DOCUMENTS

- D465,459 S * 11/2002 Zhu et al. D13/147
- D584,688 S * 1/2009 Sasada et al. D13/133
- D605,132 S * 12/2009 Tanaka et al. D13/147
- D605,134 S * 12/2009 Tanaka et al. D13/147

FOREIGN PATENT DOCUMENTS

- JP D1405402 1/2011
- * cited by examiner

Primary Examiner — Daniel Bui
(74) *Attorney, Agent, or Firm* — Rankin, Hill & Clark LLP

(57) **CLAIM**

The ornamental design for an electrical connector, as shown and described.

DESCRIPTION

FIG. 1 is a front, right side and top perspective view of an electrical connector showing our new design;
 FIG. 2 is a front, left side and bottom perspective view thereof;
 FIG. 3 is a front elevation view of the electrical connector thereof;
 FIG. 4 is a rear elevation view thereof;
 FIG. 5 is a left side view thereof, a right side view being a mirror image thereof;
 FIG. 6 is a top plan view thereof; and,
 FIG. 7 is a bottom plan view thereof.
 The broken lines shown in FIG. 3 are included for the purpose of illustrating unclaimed environment and form no part of the claimed design.

1 Claim, 4 Drawing Sheets

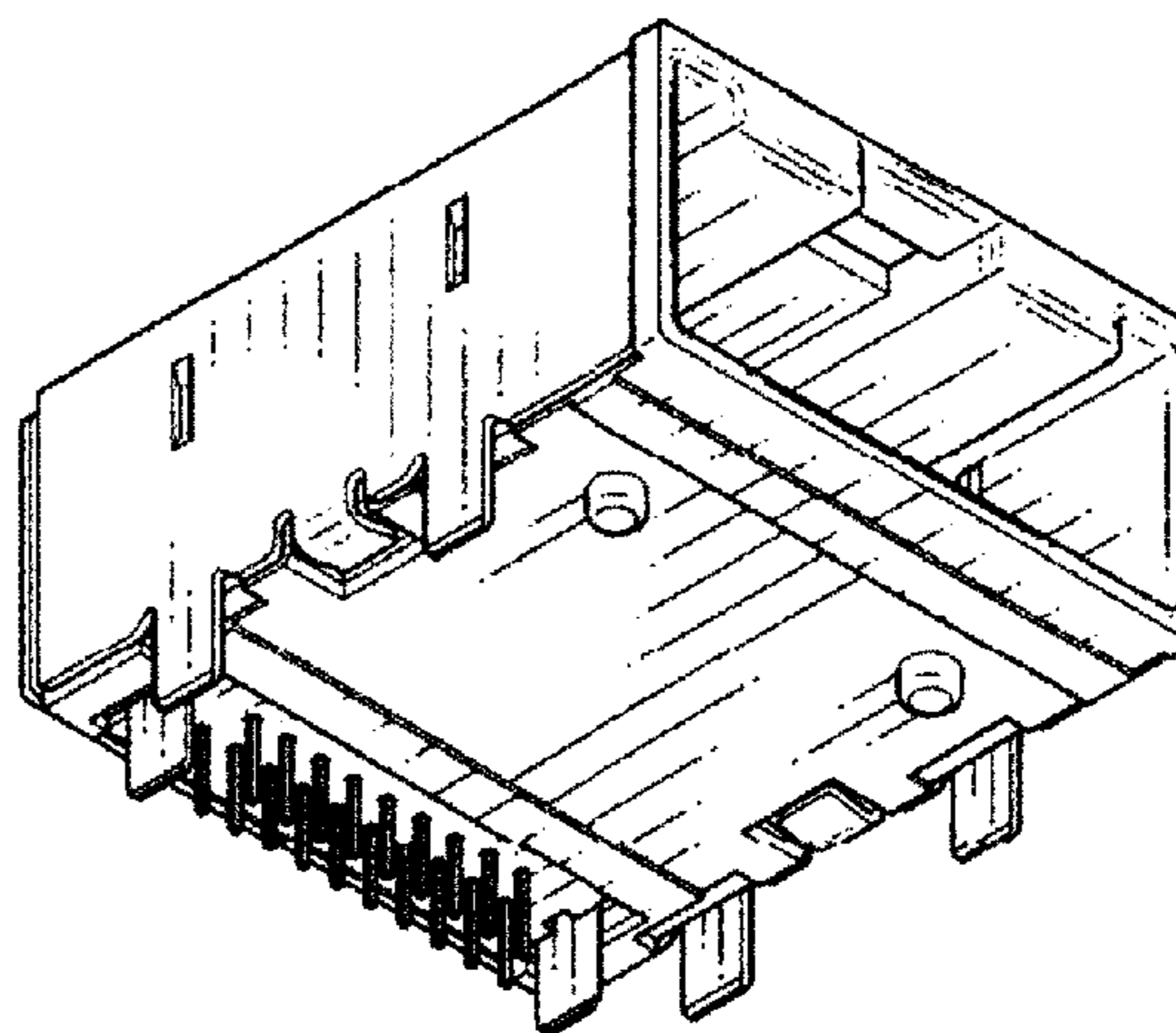
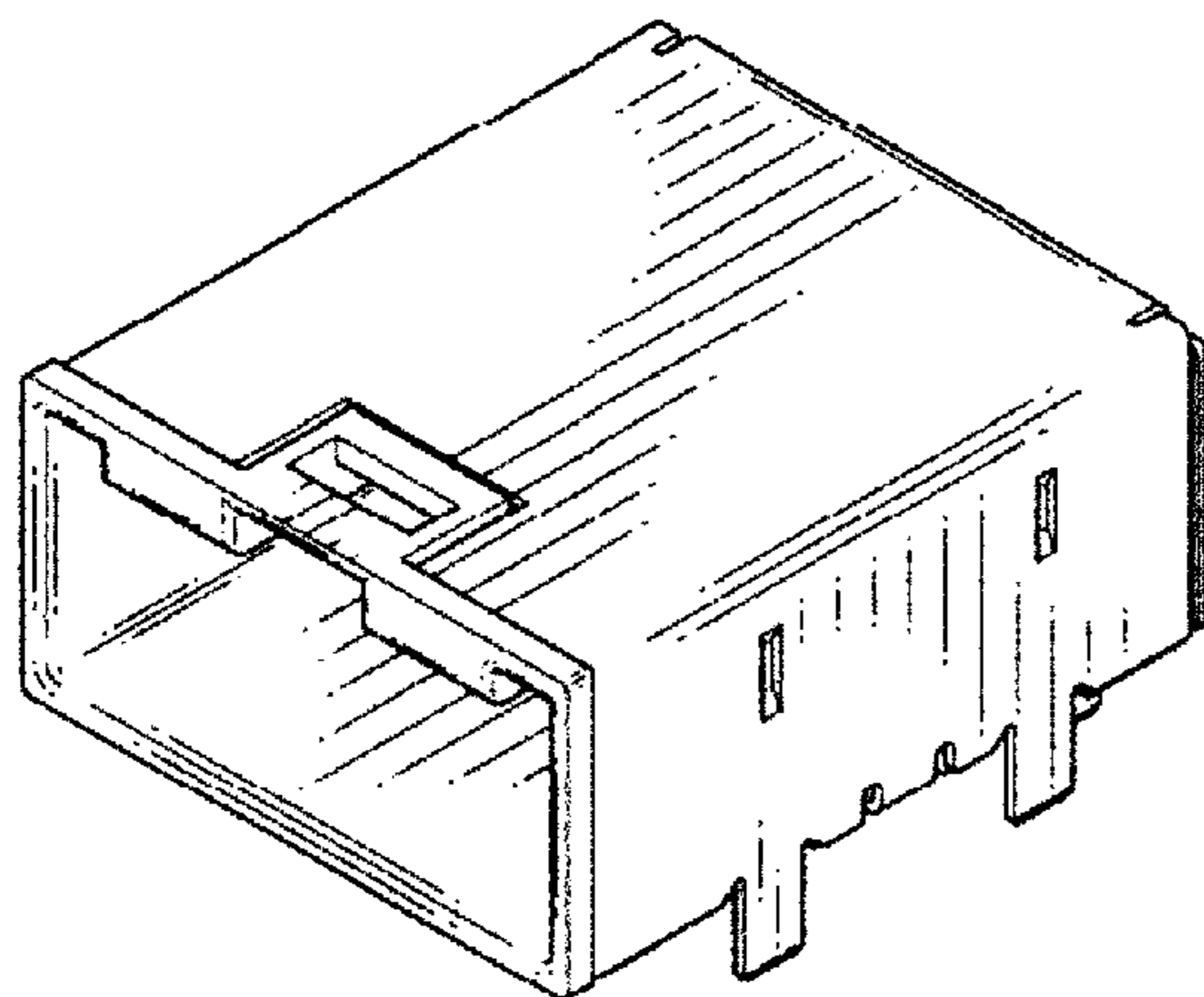


Fig. 1

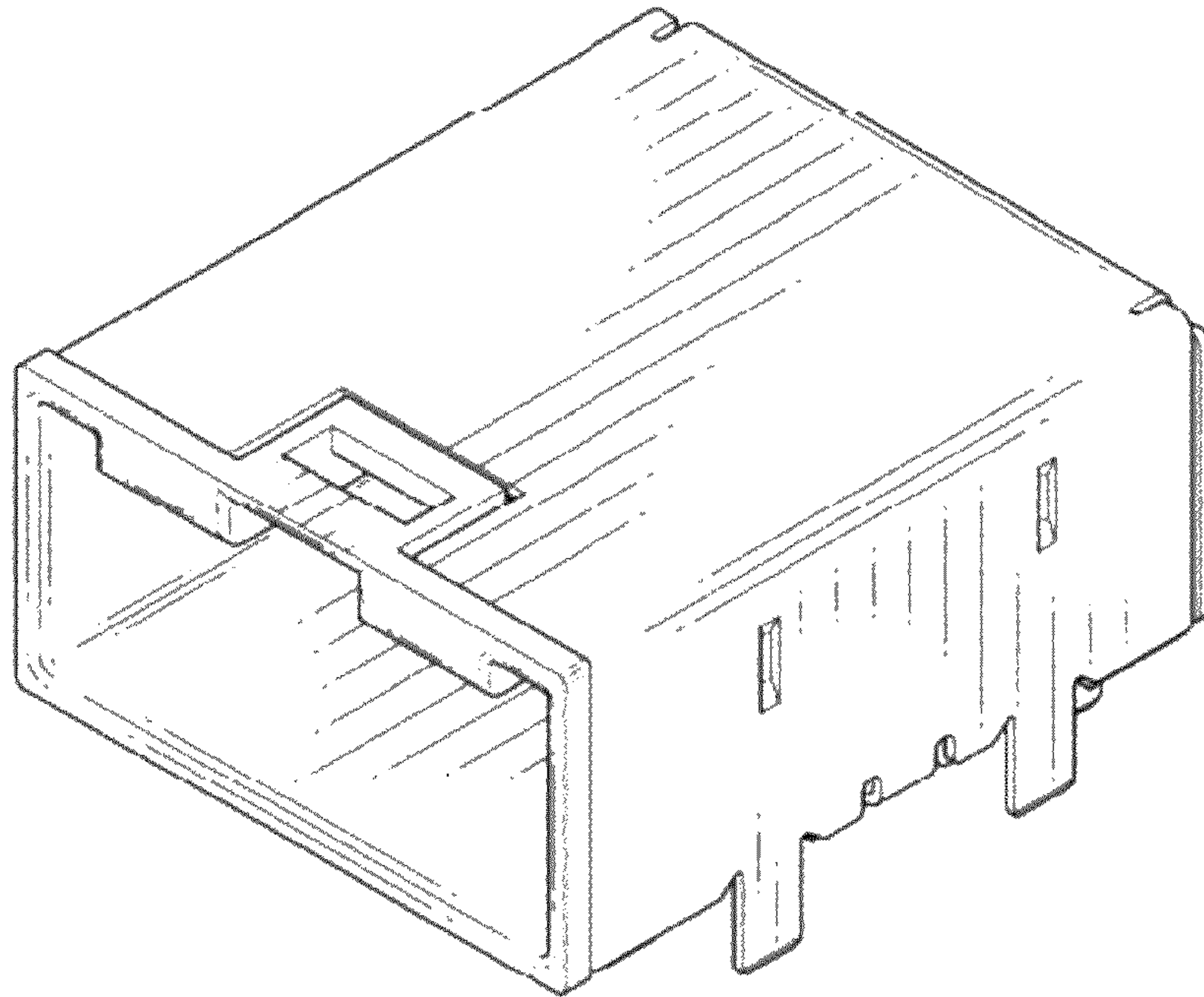


Fig. 2

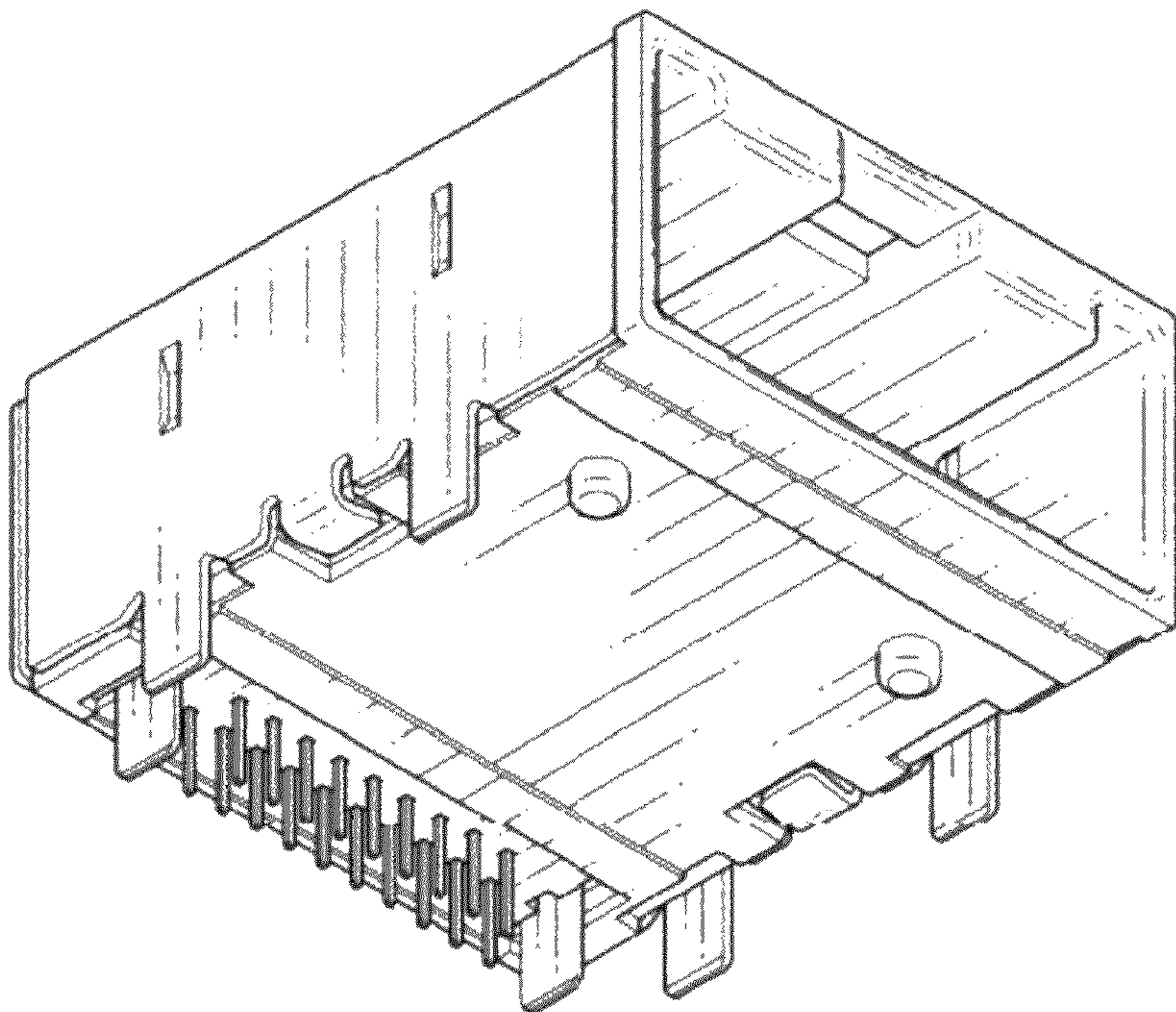


Fig. 3

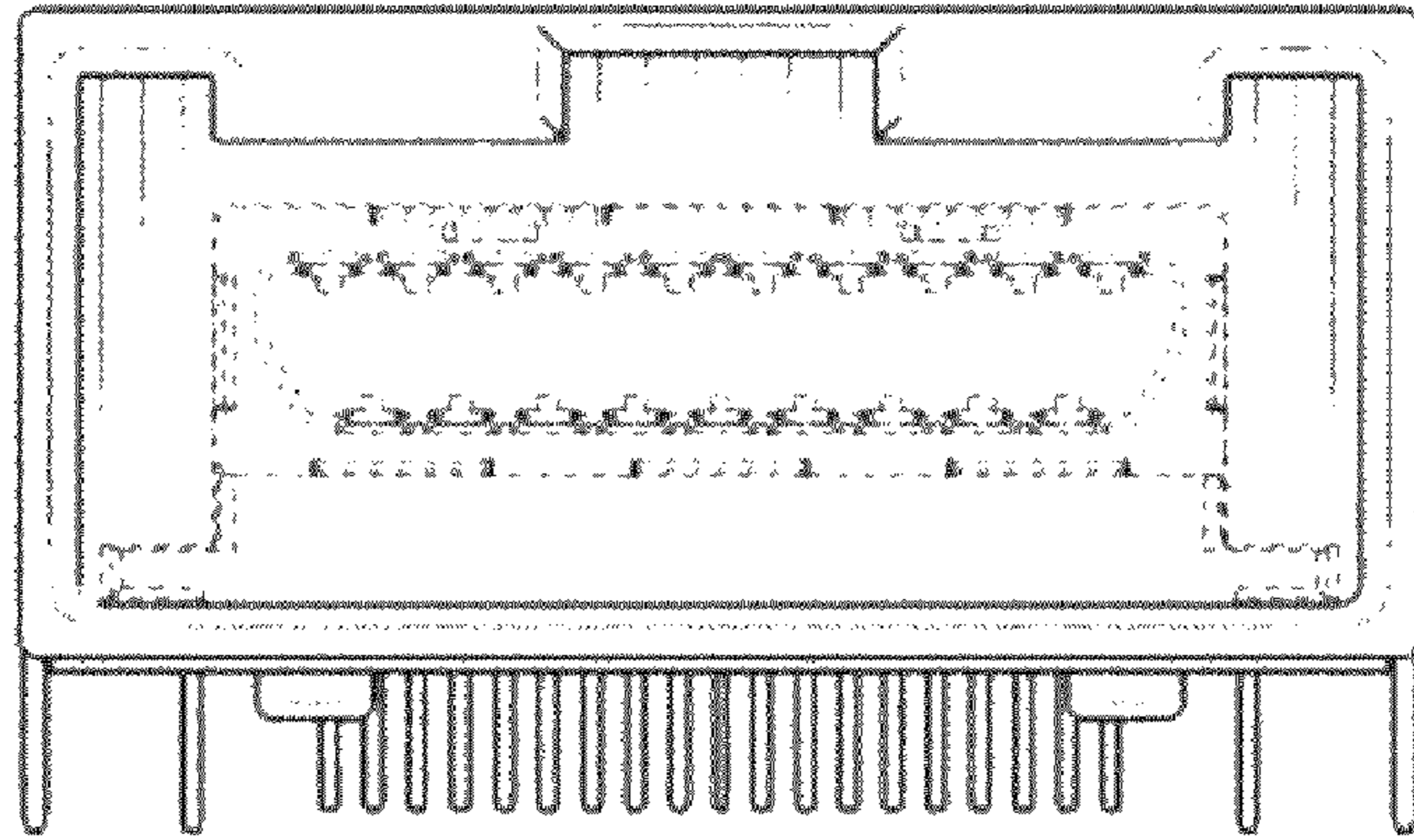


Fig. 4

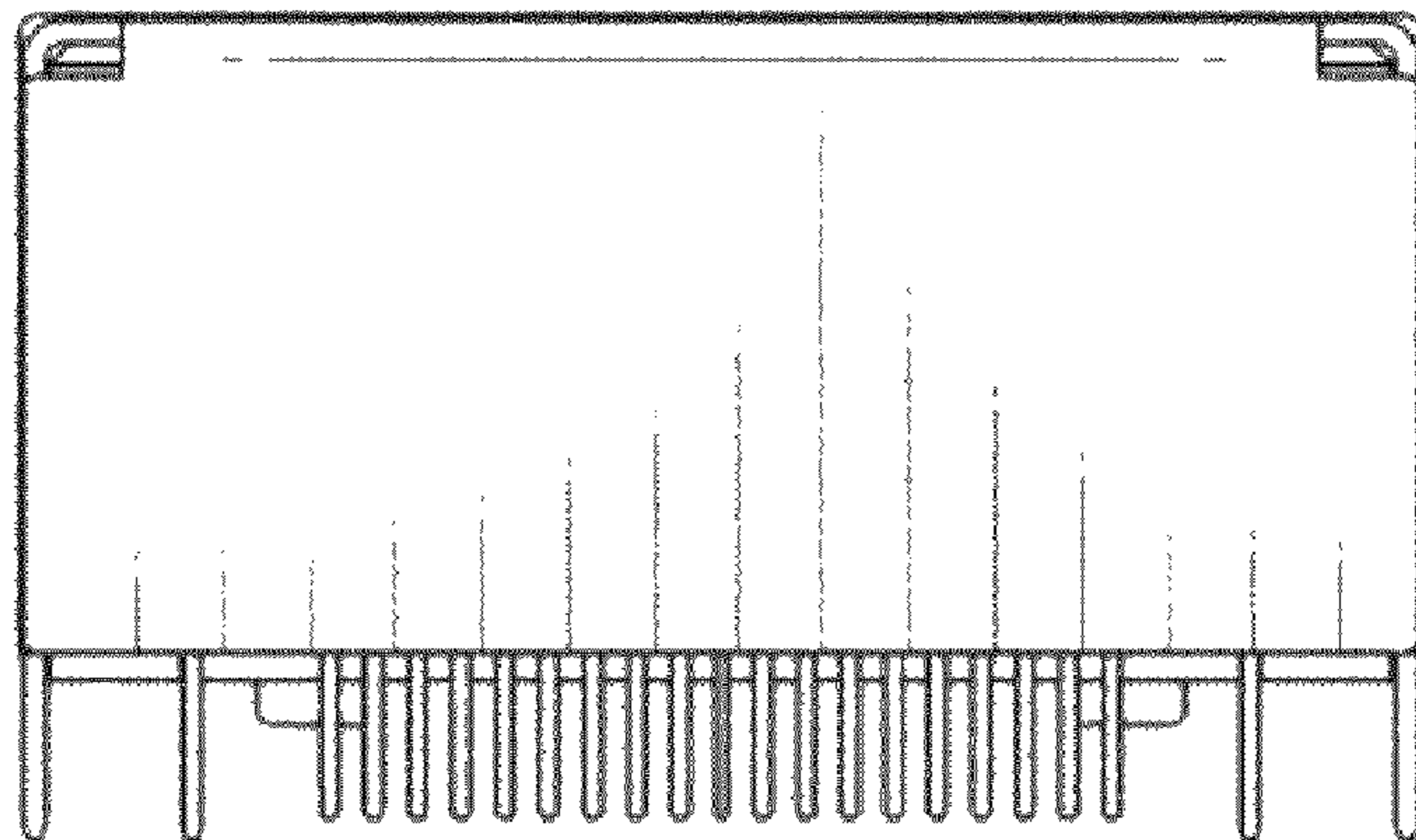


Fig. 5

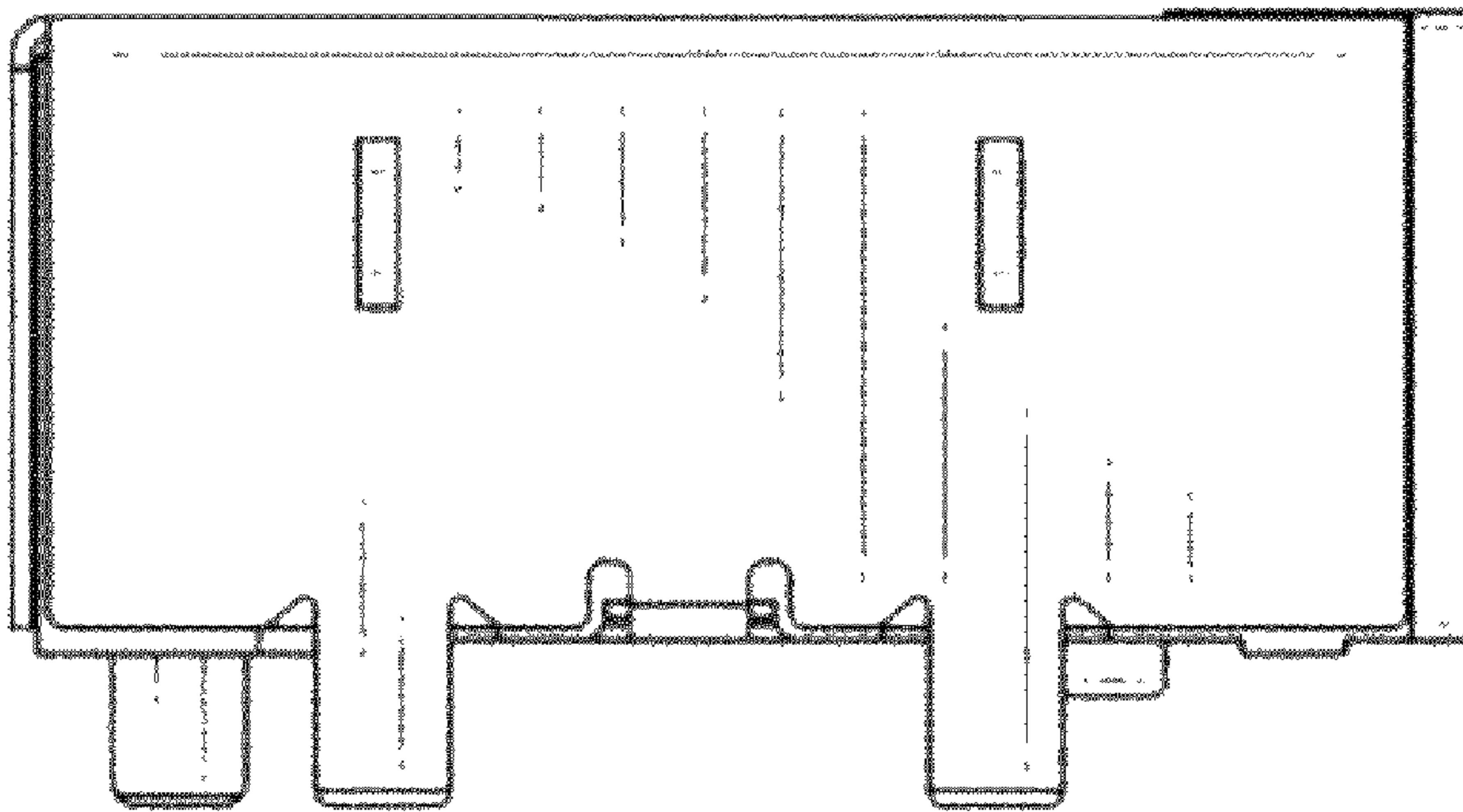


Fig. 6

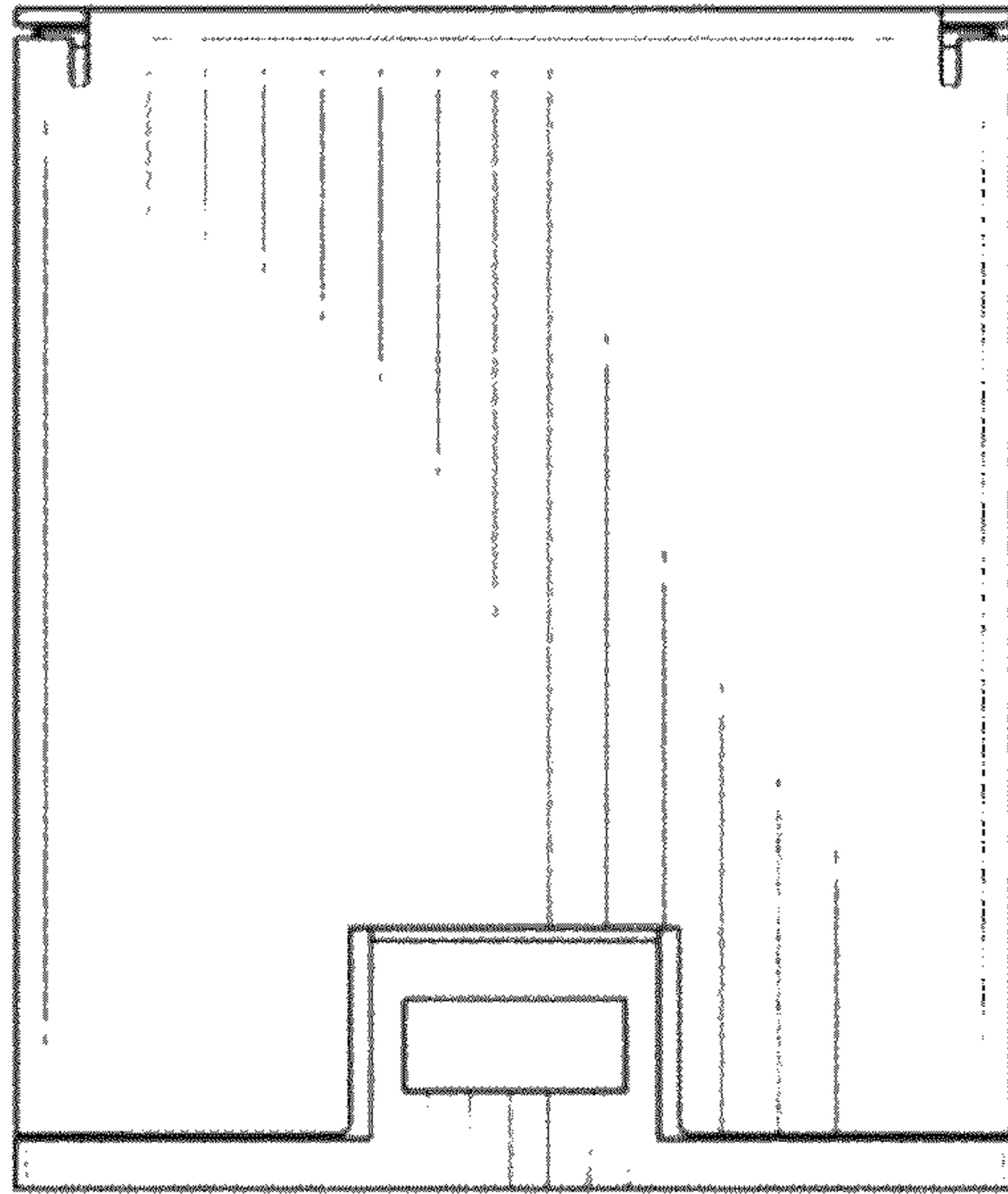


Fig. 7

