

US00D655677S

(12) **United States Design Patent**
Gouhl et al.

(10) **Patent No.:** **US D655,677 S**
(45) **Date of Patent:** **** Mar. 13, 2012**

- (54) **MODULAR MALE CONNECTOR**
- (75) Inventors: **Erik Jeffrey Gouhl**, Fayetteville, GA (US); **Shi Qiang Yuan**, Shang Hai (CN); **Darron Kirby Lacey**, Peachtree, GA (US)
- (73) Assignee: **Cooper Technologies Company**, Houston, TX (US)
- (**) Term: **14 Years**
- (21) Appl. No.: **29/385,606**
- (22) Filed: **Feb. 16, 2011**

Related U.S. Application Data

- (62) Division of application No. 29/351,064, filed on Nov. 30, 2009.
- (51) **LOC (9) Cl.** **13-03**
- (52) **U.S. Cl.** **D13/146**
- (58) **Field of Classification Search** D13/133, D13/146, 147, 154, 156, 184; 439/266, 345, 439/350, 352, 357, 358, 595, 660, 680, 682, 439/752

See application file for complete search history.

(56) **References Cited**

U.S. PATENT DOCUMENTS

3,325,769 A	6/1967	Travis
D210,533 S	3/1968	Pauza
D36,746 S	2/1996	Becker
D38,162 S	7/1997	Ashida
D412,312 S	7/1999	Myers
D425,869 S	5/2000	Yokomizo et al.
D479,199 S	9/2003	Jones et al.
D479,826 S	9/2003	Verfuierth et al.
D531,959 S	11/2006	Kondas
D531,960 S	11/2006	Kondas
D539,743 S	4/2007	Langer et al.
D543,149 S	5/2007	Huang et al.
D543,505 S	5/2007	Wang
D544,845 S	6/2007	Askeland et al.
D552,036 S	10/2007	Holland
D553,087 S	10/2007	Ashida et al.

D555,594 S	11/2007	So
D556,102 S	11/2007	Horner et al.
D556,133 S	11/2007	Wang
D556,140 S	11/2007	Sakamoto
D556,142 S	11/2007	Kudo et al.
D558,145 S	12/2007	Stavoe et al.
D559,182 S	1/2008	Rector, III et al.
D559,187 S	1/2008	Hayashi
D559,189 S	1/2008	Arai et al.
D559,785 S	1/2008	Tosetti
D560,167 S	1/2008	Malis et al.
D560,168 S	1/2008	McCoy
D560,610 S	1/2008	McCoy
D560,613 S	1/2008	McEvoy et al.
D560,614 S	1/2008	McEvoy et al.
D561,101 S	2/2008	Sakamoto
D561,103 S	2/2008	Grant
D561,104 S	2/2008	Sakamoto
D561,107 S	2/2008	Cuff et al.
D561,108 S	2/2008	Cuff et al.
D561,111 S	2/2008	Howard
D561,698 S	2/2008	Cuff et al.
D562,242 S	2/2008	Yang
D562,248 S	2/2008	Howerton et al.
D562,769 S	2/2008	Ashida et al.

(Continued)

Primary Examiner — Daniel Bui
(74) *Attorney, Agent, or Firm* — King & Spalding LLP

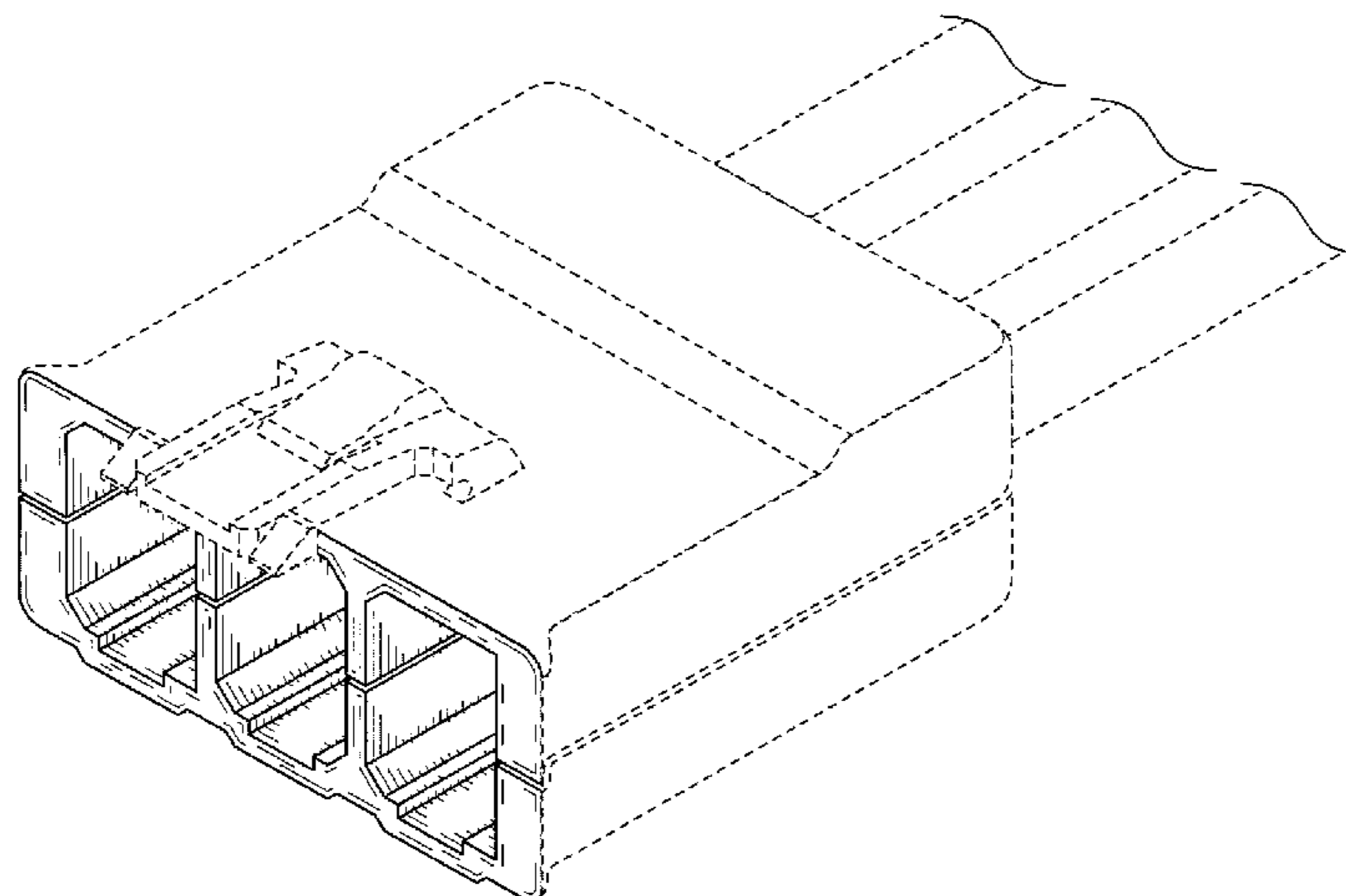
(57) **CLAIM**

The ornamental design for a modular male connector, as shown and described.

DESCRIPTION

FIG. 1 is a perspective view of a modular male connector, showing our new design;
FIG. 2 is a front elevation view thereof;
FIG. 3 is a left-side elevation view thereof;
FIG. 4 is a right-side elevation view thereof;
FIG. 5 is a top plan view thereof; and,
FIG. 6 is a bottom plan view thereof.
The broken line shown in the figure drawings is included for the purpose of illustrating environment and forms no part of the claimed design.

1 Claim, 3 Drawing Sheets



US D655,677 S

Page 2

U.S. PATENT DOCUMENTS

D562,775 S	2/2008	Cuff et al.	D564,963 S	3/2008	Sakamoto
D563,877 S	3/2008	Grant	D564,968 S	3/2008	Sakamoto
D563,878 S	3/2008	Grant	D565,981 S	4/2008	Radecke et al.
D563,879 S	3/2008	Grant	D570,783 S	6/2008	So
D563,880 S	3/2008	Grant	D573,079 S	7/2008	Huet
D563,883 S	3/2008	Dever	D573,106 S	7/2008	Shu et al.
D563,884 S	3/2008	Dever	D574,329 S	8/2008	So
D563,885 S	3/2008	Dever	D574,772 S	8/2008	Sutter
D563,886 S	3/2008	Dever	D574,773 S	8/2008	Sutter
D563,887 S	3/2008	Dever	D574,786 S	8/2008	Askeland et al.
D563,888 S	3/2008	Dever	D575,234 S	8/2008	Zayas
D564,452 S	3/2008	Kudo	D575,237 S	8/2008	Shiga et al.
D564,453 S	3/2008	Kudo	D575,742 S	8/2008	Scherer et al.
D564,962 S	3/2008	Chen et al.	D581,366 S	11/2008	Knepper
			D609,191 S	2/2010	Feldvoss et al.
			2004/0214464 A1	10/2004	Fukushima et al.

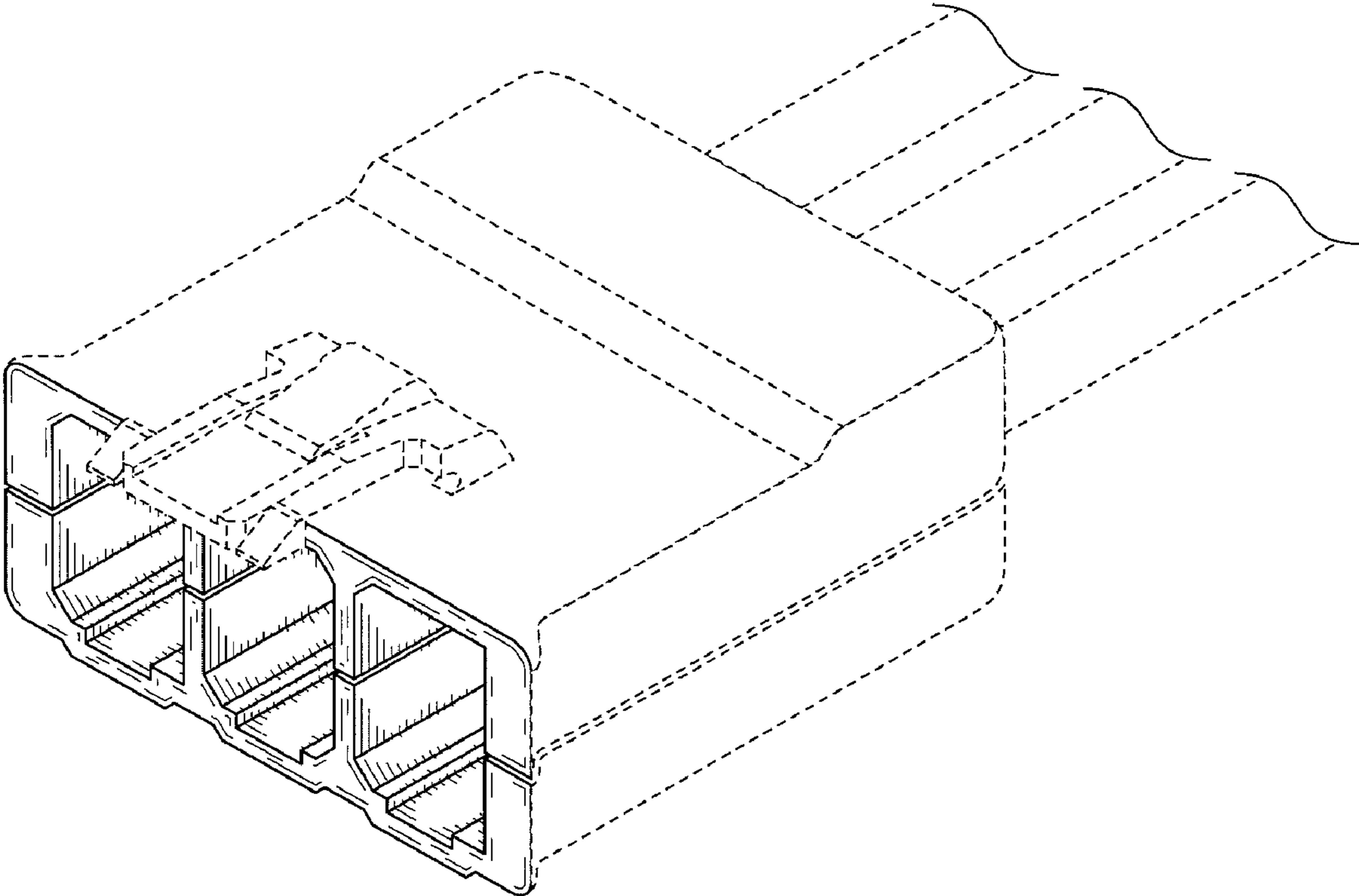


FIG. 1

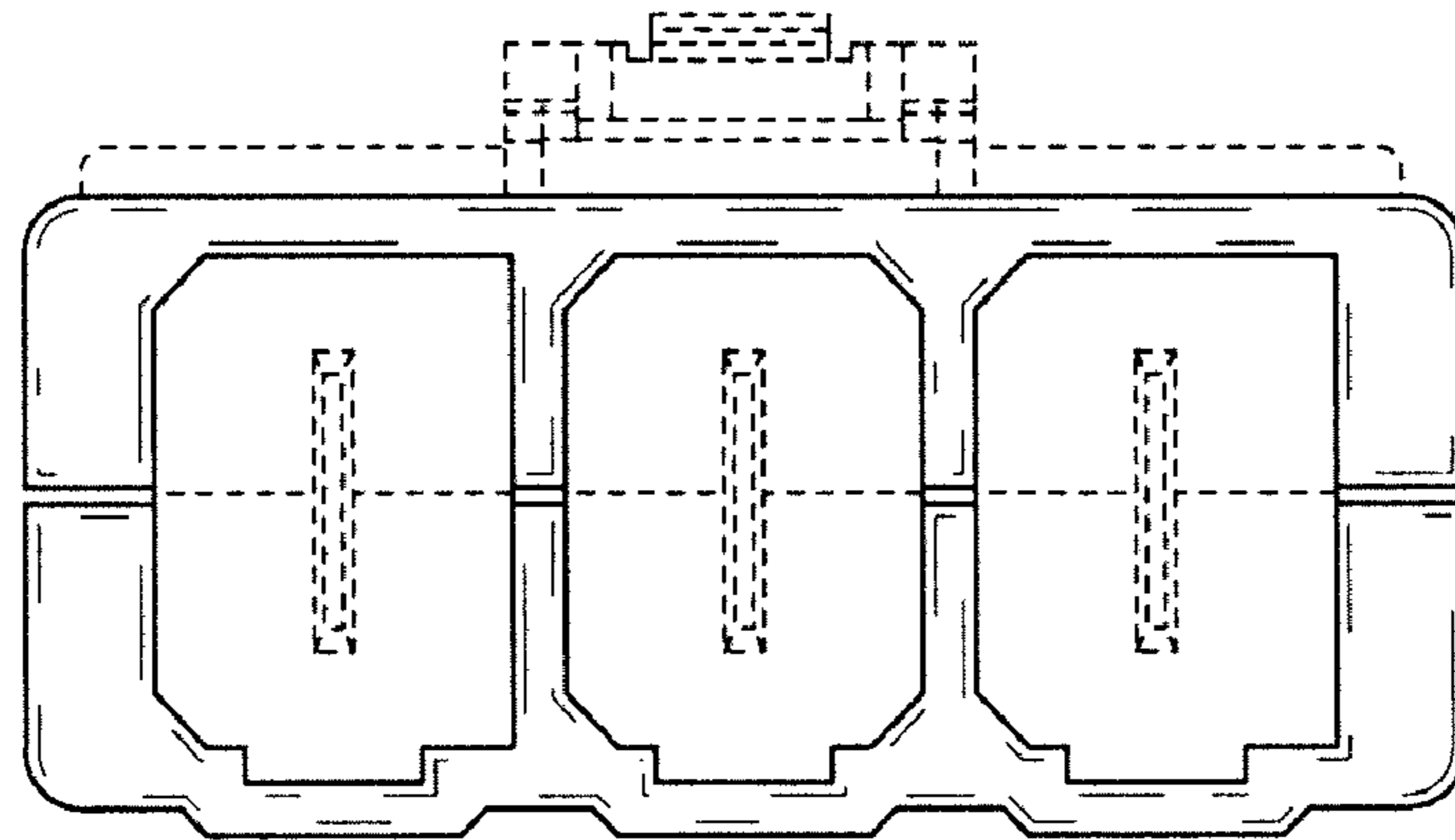


FIG. 2

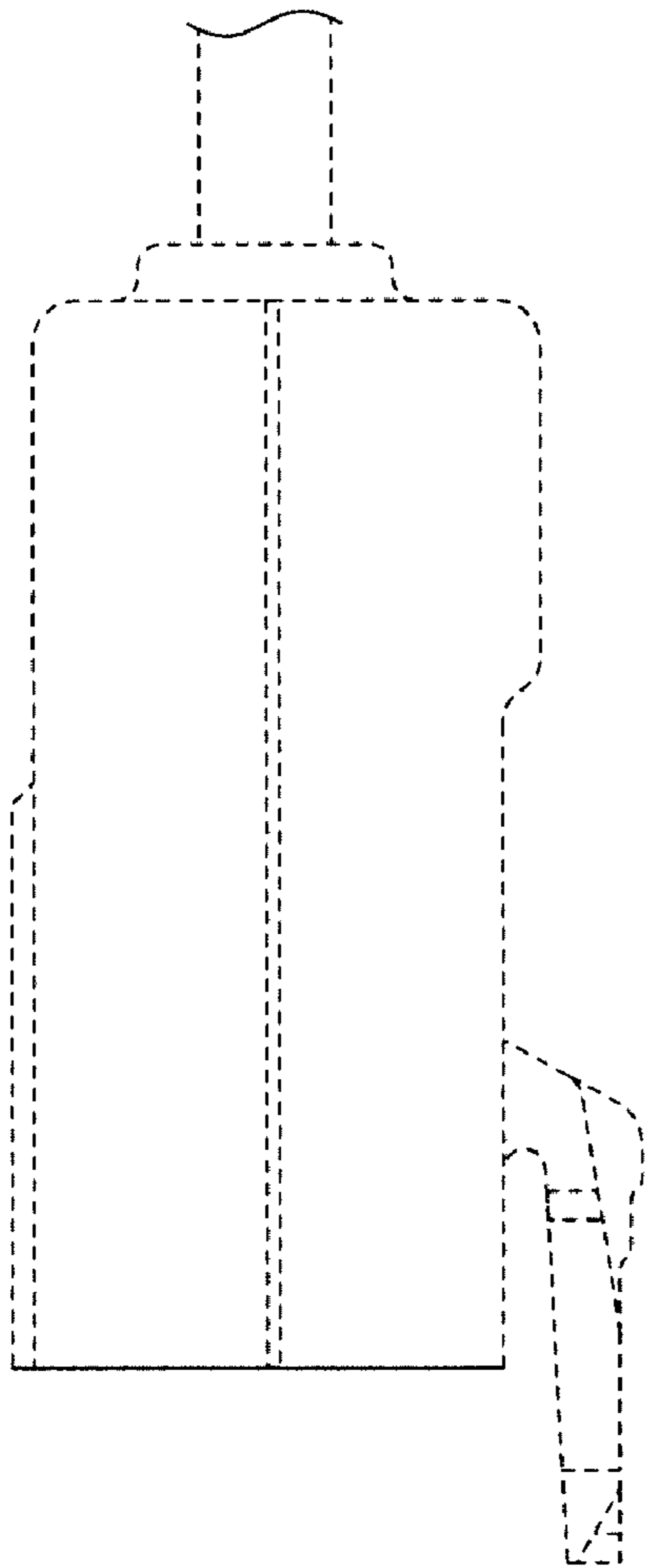


FIG. 3

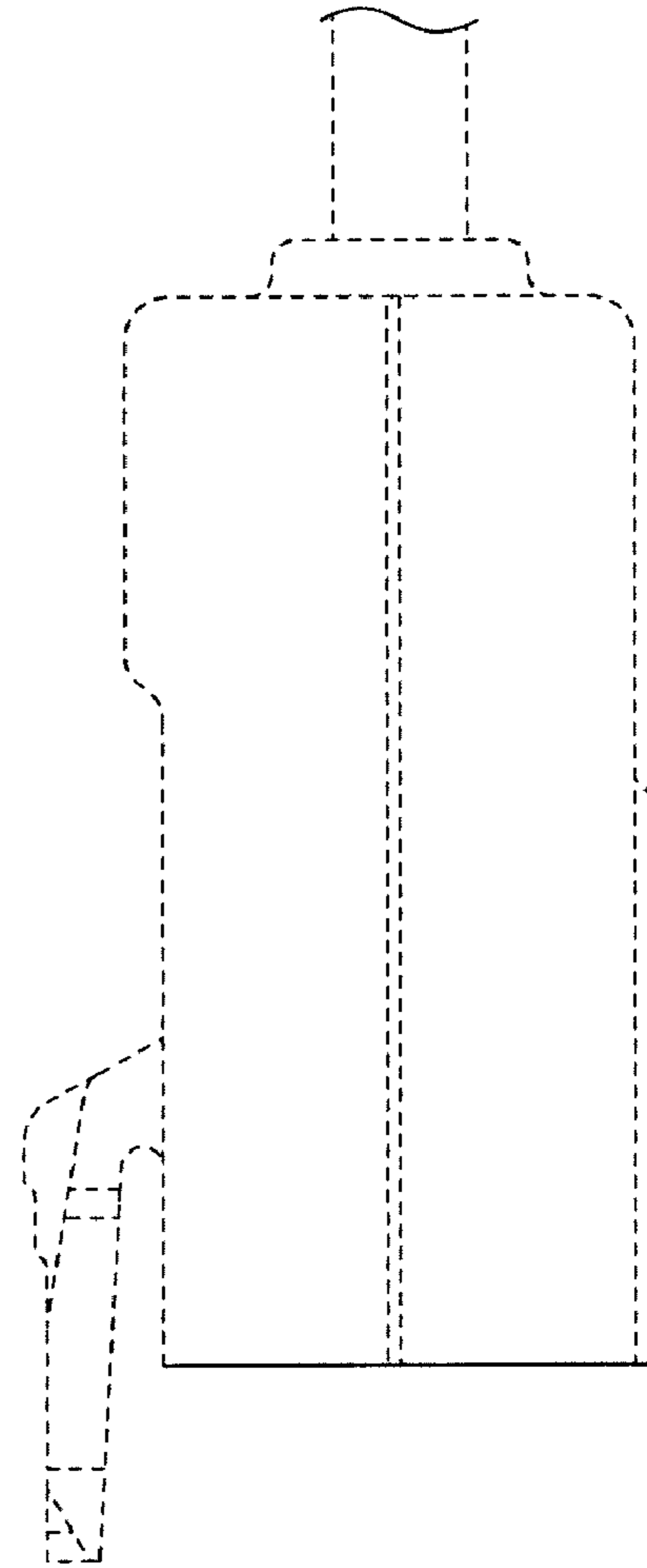


FIG. 4

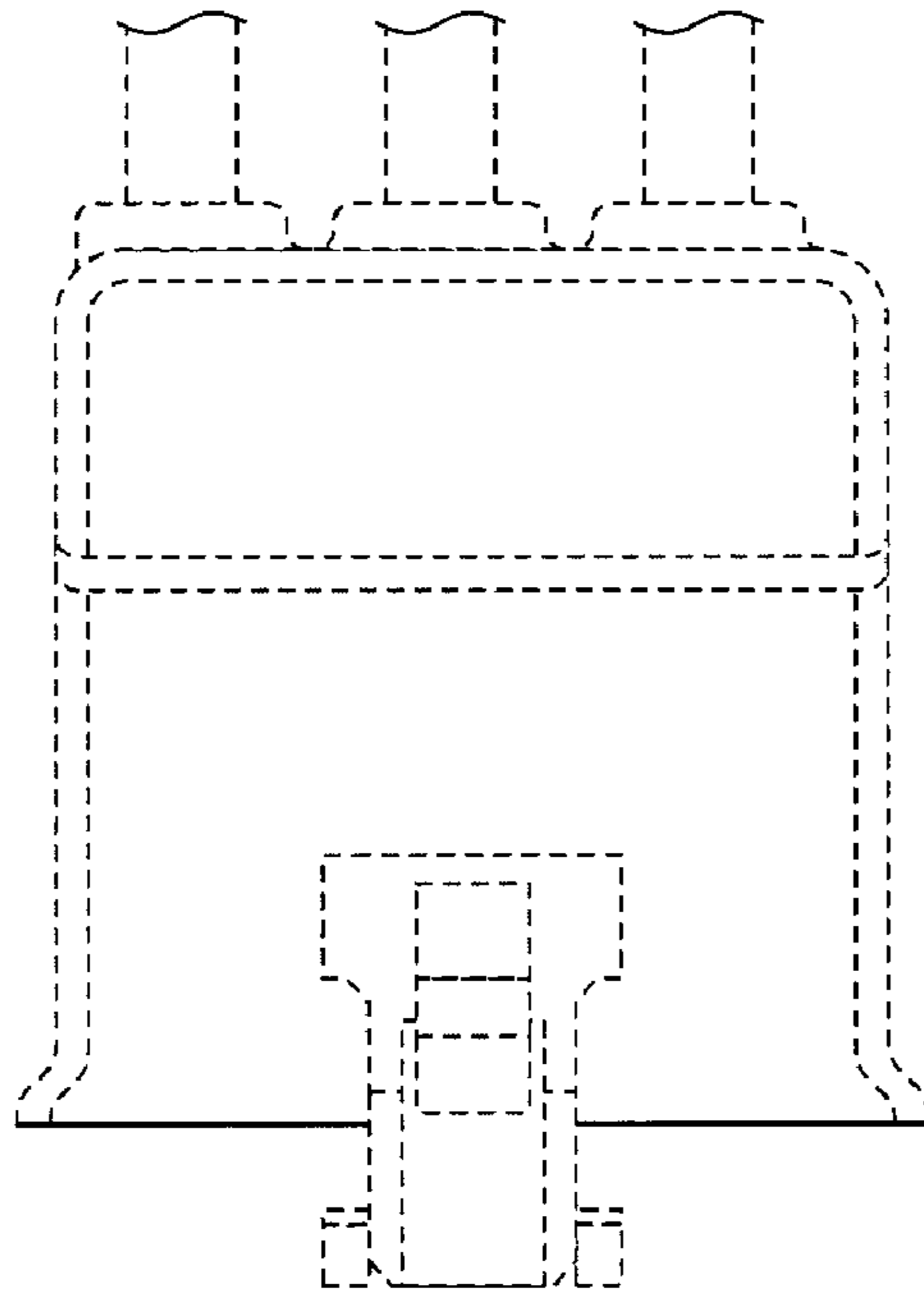


FIG. 5

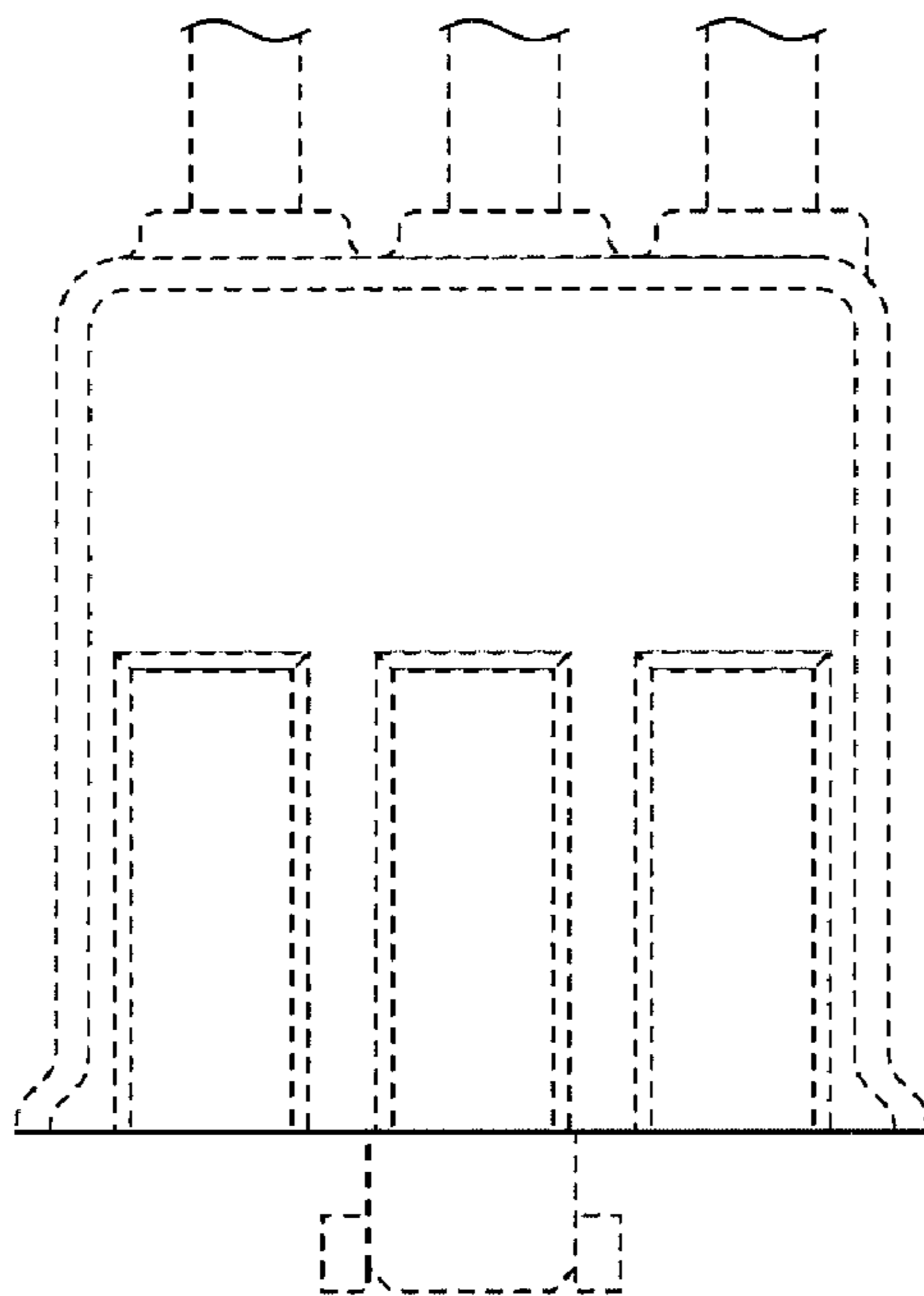


FIG. 6