



US00D655675S

(12) **United States Design Patent**  
**Shioiri et al.**

(10) **Patent No.:** **US D655,675 S**  
(45) **Date of Patent:** **\*\* \*Mar. 13, 2012**

(54) **ELECTRIC MOTOR**

(75) Inventors: **Mitsuaki Shioiri**, Nagano Prefecture (JP); **Syougo Yoda**, Nagano Prefecture (JP); **Akio Miyahara**, Nagano Prefecture (JP); **Ikuo Takeshita**, Nagano Prefecture (JP)

(73) Assignee: **Sanyo Denki Co., Ltd.**, Tokyo (JP)

(\*) Notice: This patent is subject to a terminal disclaimer.

(\*\*) Term: **14 Years**

(21) Appl. No.: **29/394,723**

(22) Filed: **Jun. 21, 2011**

(30) **Foreign Application Priority Data**

Dec. 22, 2010 (JP) ..... 2010-030712

(51) **LOC (9) Cl.** ..... **13-01**

(52) **U.S. Cl.** ..... **D13/112**

(58) **Field of Classification Search** ..... D13/112, D13/113, 114, 122, 199; D15/3, 5, 199; 74/606 R, 609; 310/10, 40 R, 42, 51, 52, 310/58, 64, 71, 80, 83, 85, 88, 89, 91, 109, 310/236, 239, 254; 318/245, 255; 322/16, 322/39; 361/688, 704, 709; 29/596-598

See application file for complete search history.

(56) **References Cited**

**U.S. PATENT DOCUMENTS**

D194,910 S \* 4/1963 Lindt et al. .... D13/112  
D203,182 S \* 12/1965 Otto ..... D13/114  
D213,563 S \* 3/1969 Mabuchi ..... D13/112  
D287,715 S \* 1/1987 Pittman et al. .... D13/112  
D306,009 S \* 2/1990 Mintz et al. .... D13/112  
4,933,582 A \* 6/1990 Hata et al. .... 310/154.14

4,988,905 A \* 1/1991 Tolmie, Jr. .... 310/68 B  
D336,890 S \* 6/1993 Hirose et al. .... D13/112  
D424,516 S \* 5/2000 Friedrichsen ..... D13/112  
D457,492 S \* 5/2002 Kim ..... D13/110  
6,717,302 B2 \* 4/2004 Kolloff et al. .... 310/71  
D557,210 S \* 12/2007 Liu ..... D13/112  
D597,943 S \* 8/2009 Lin et al. .... D13/112  
D601,958 S \* 10/2009 Huan et al. .... D13/112  
7,687,945 B2 \* 3/2010 Matin et al. .... 310/64

**OTHER PUBLICATIONS**

“Design News”, a Cahners Publication, published in the U.S. May 9, 1994, vol. 49-9, five pages.

\* cited by examiner

*Primary Examiner* — Derrick Holland

(74) *Attorney, Agent, or Firm* — Rankin, Hill & Clark LLP

(57) **CLAIM**

We claim the ornamental design for an electric motor, as shown and described.

**DESCRIPTION**

FIG. 1 is a front side elevation view of an electric motor embodying our design;

FIG. 2 is a rear side elevation view thereof;

FIG. 3 is a right side elevation view thereof;

FIG. 4 is a left side elevation view thereof;

FIG. 5 is a top plan view thereof;

FIG. 6 is a bottom plan view thereof;

FIG. 7 is a cross sectional view as taken along 7-7 line in FIG. 4, omitting the interior mechanism; and,

FIG. 8 is a perspective view of the electric motor.

The broken lines shown represent unclaimed subject matter and form no part of the claim. Where broken lines abut a claimed surface it is understood that those broken lines represent an unclaimed boundary between claimed and unclaimed surfaces. None of the broken lines form any part of the claimed design.

**1 Claim, 8 Drawing Sheets**

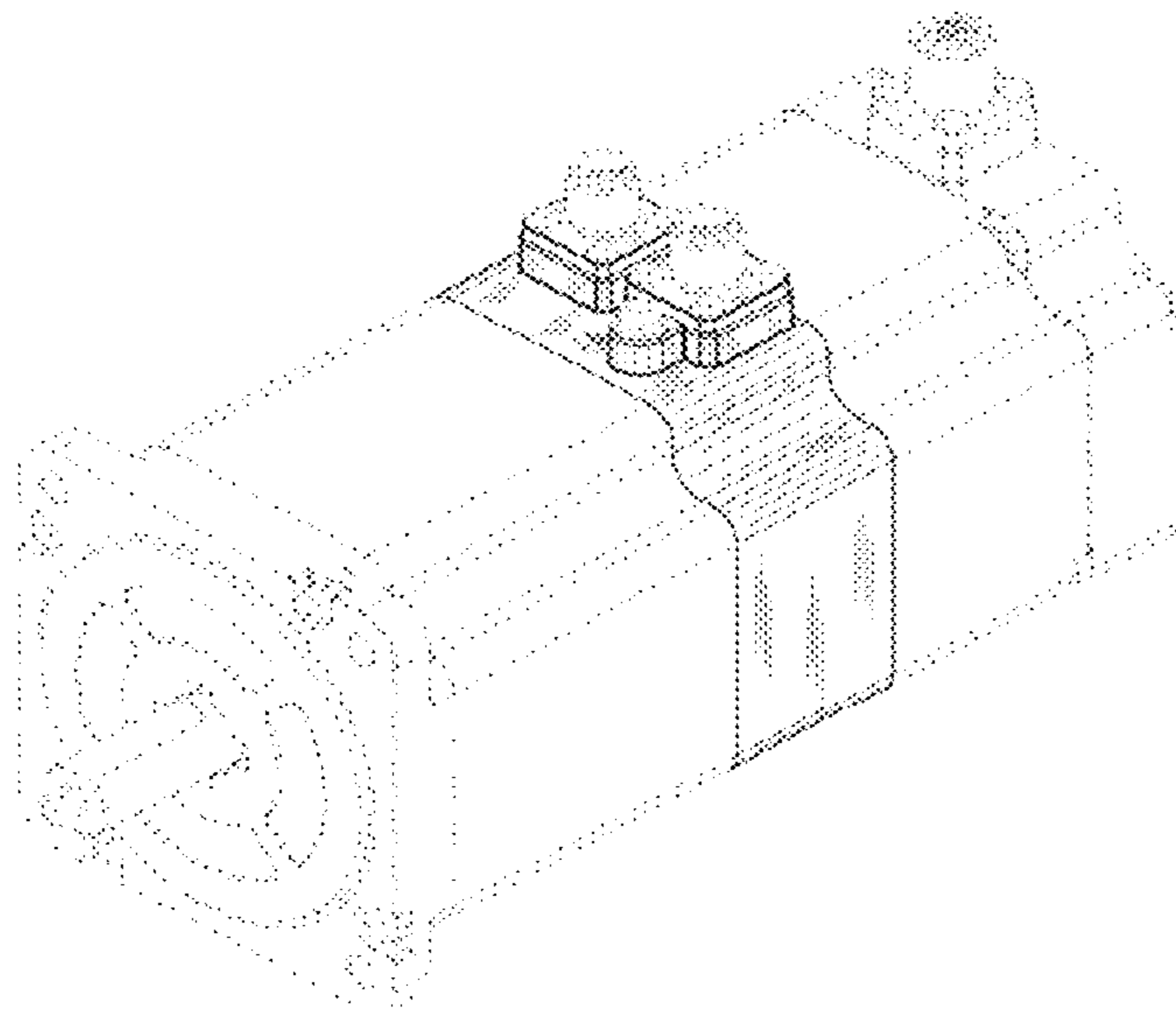


FIG. 1

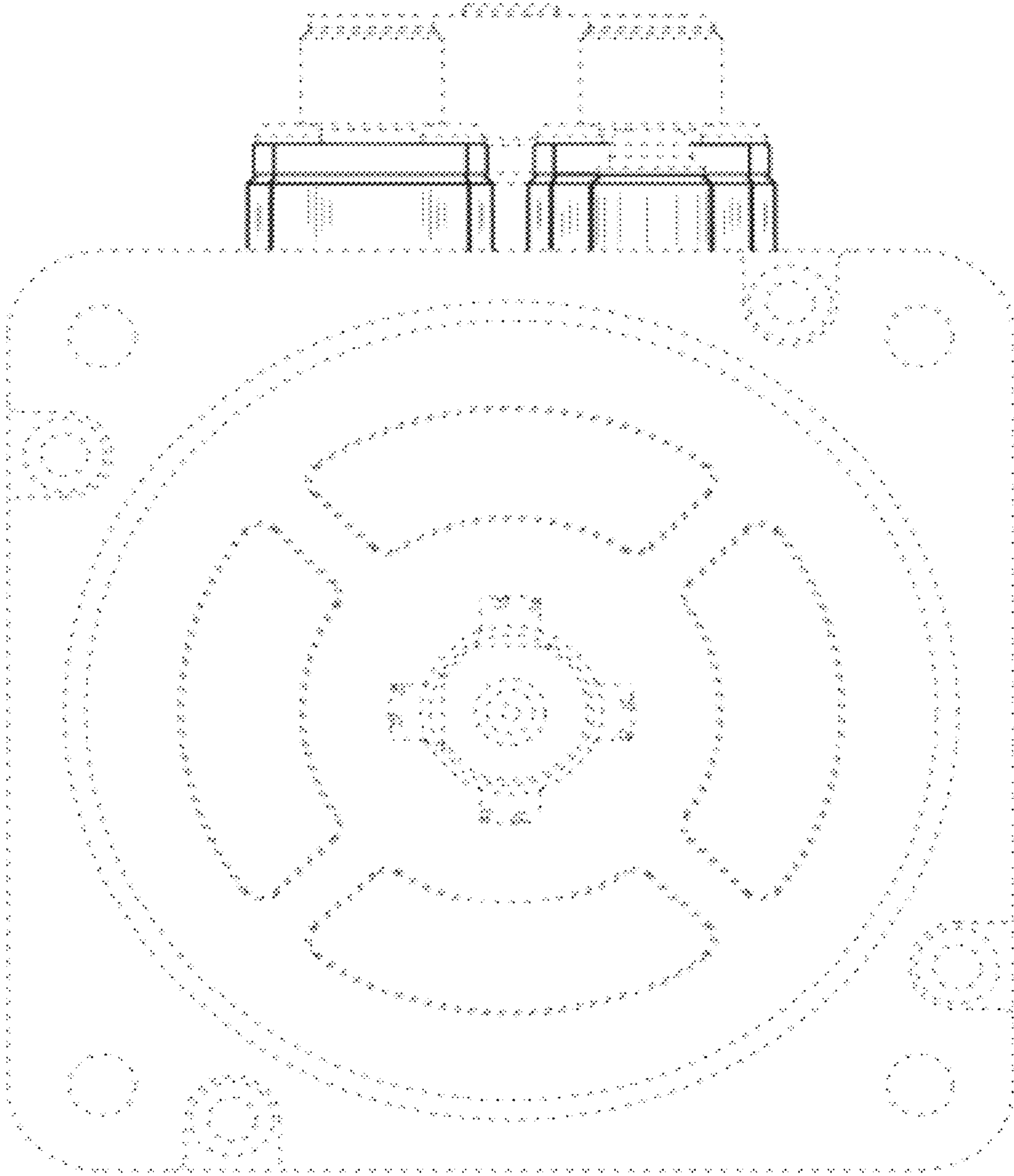


FIG.2

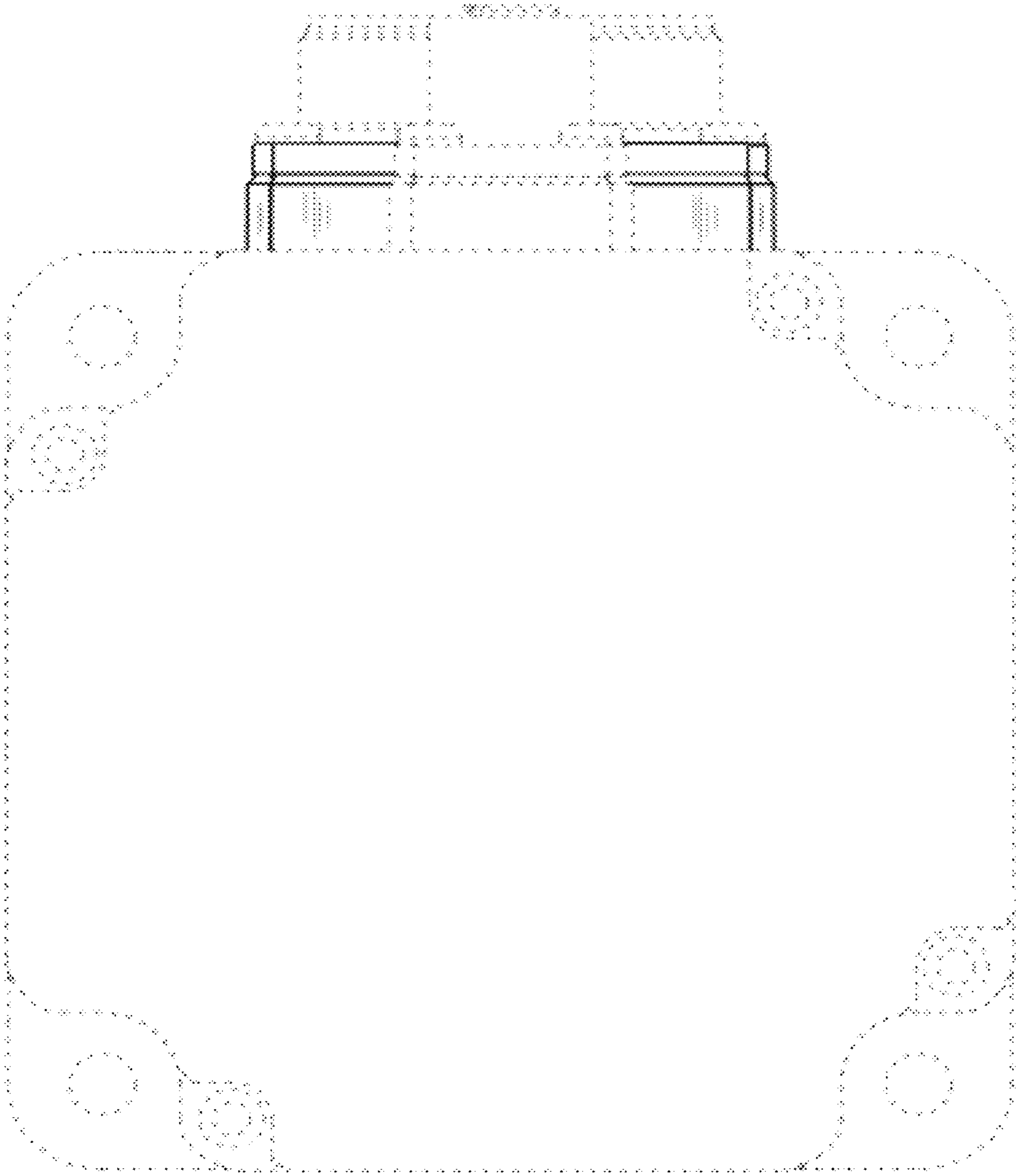


FIG. 3

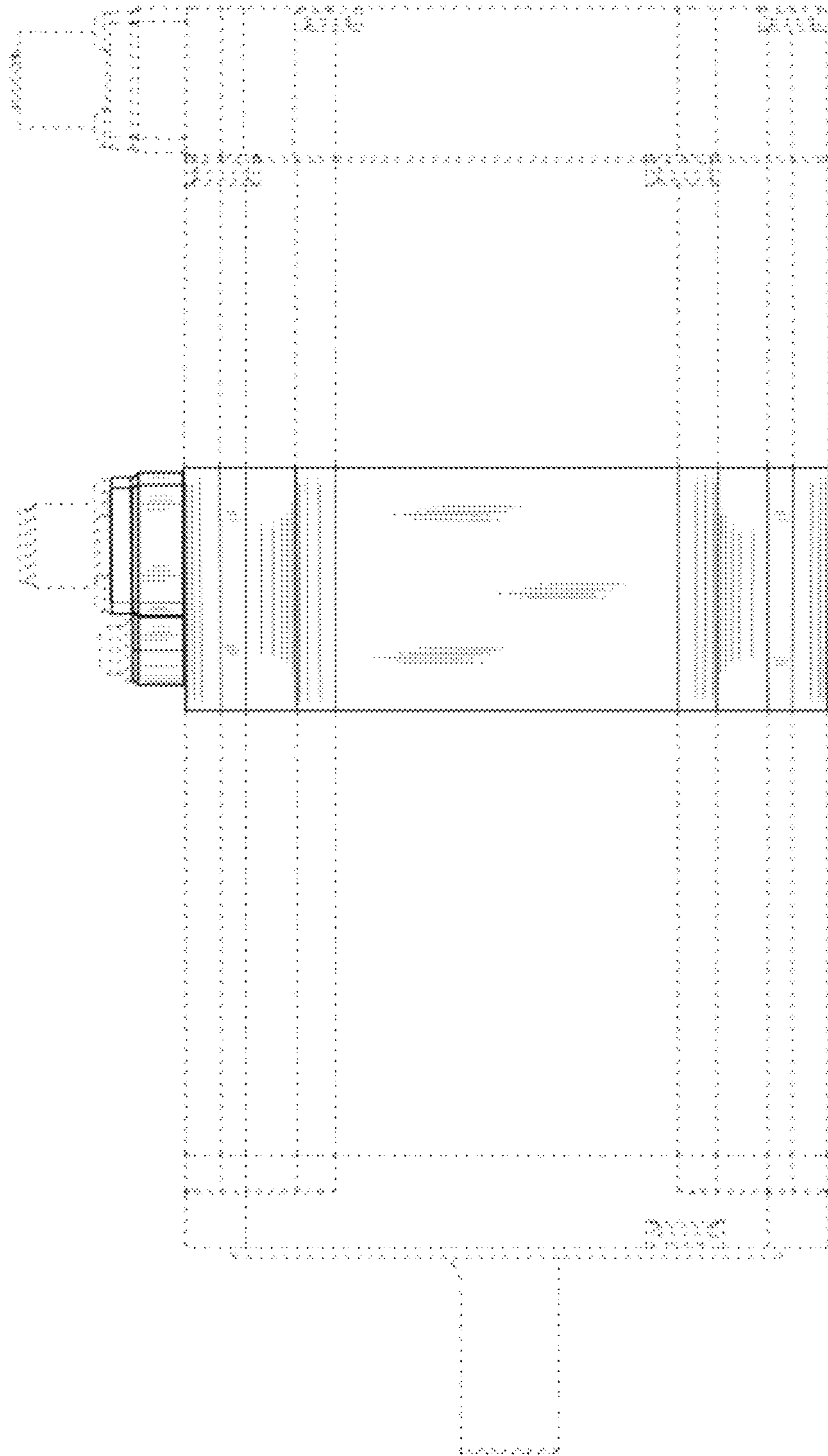


FIG. 4

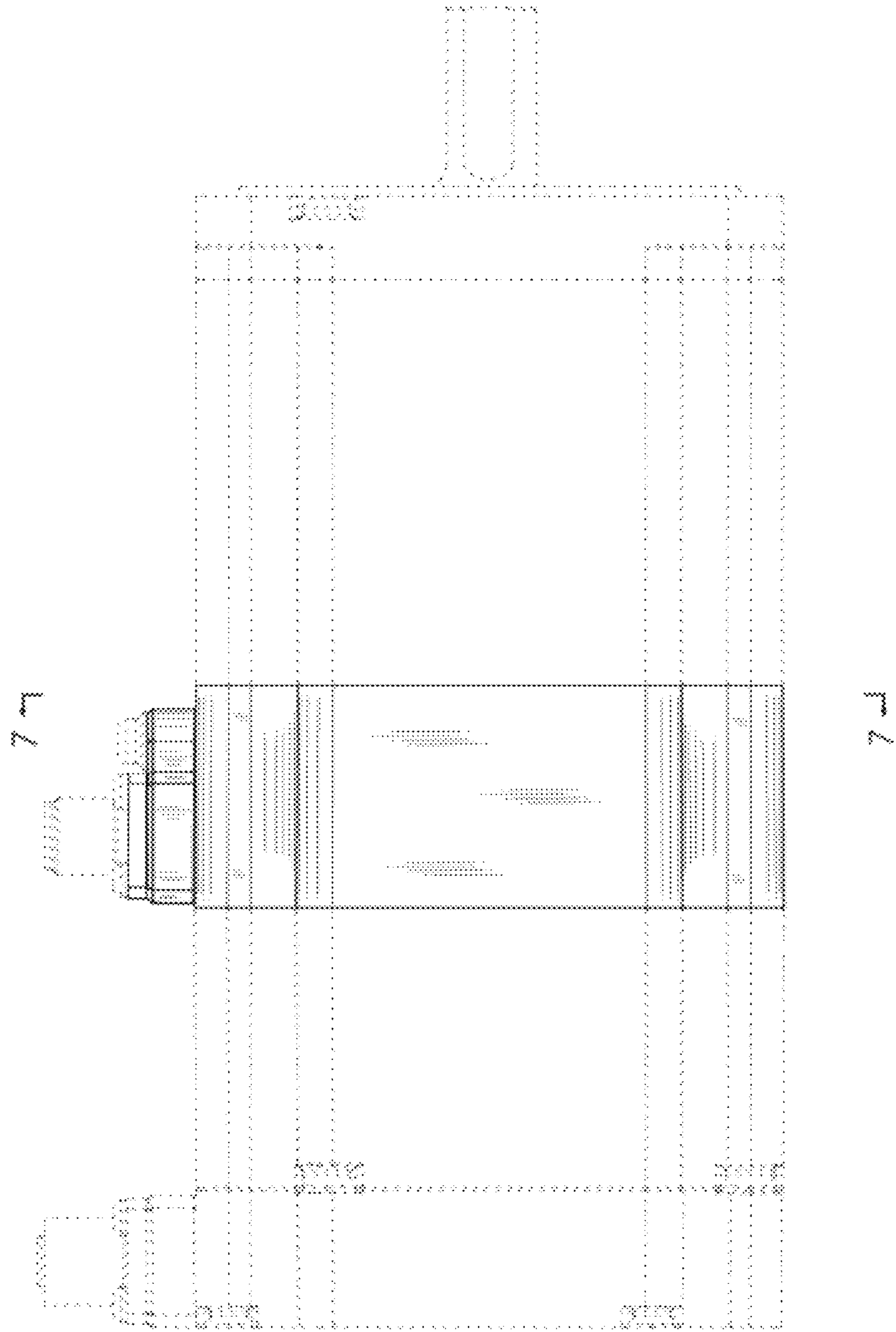


FIG. 5

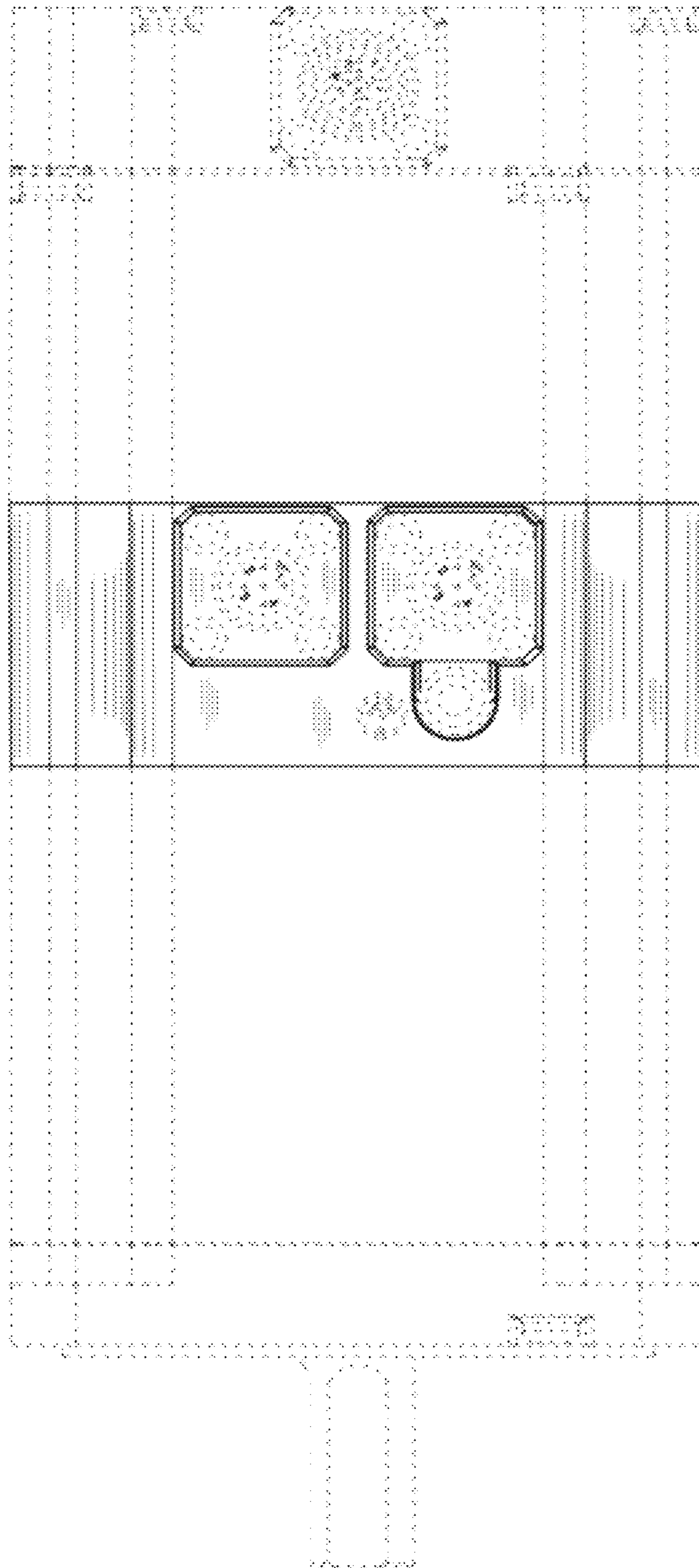


FIG. 6

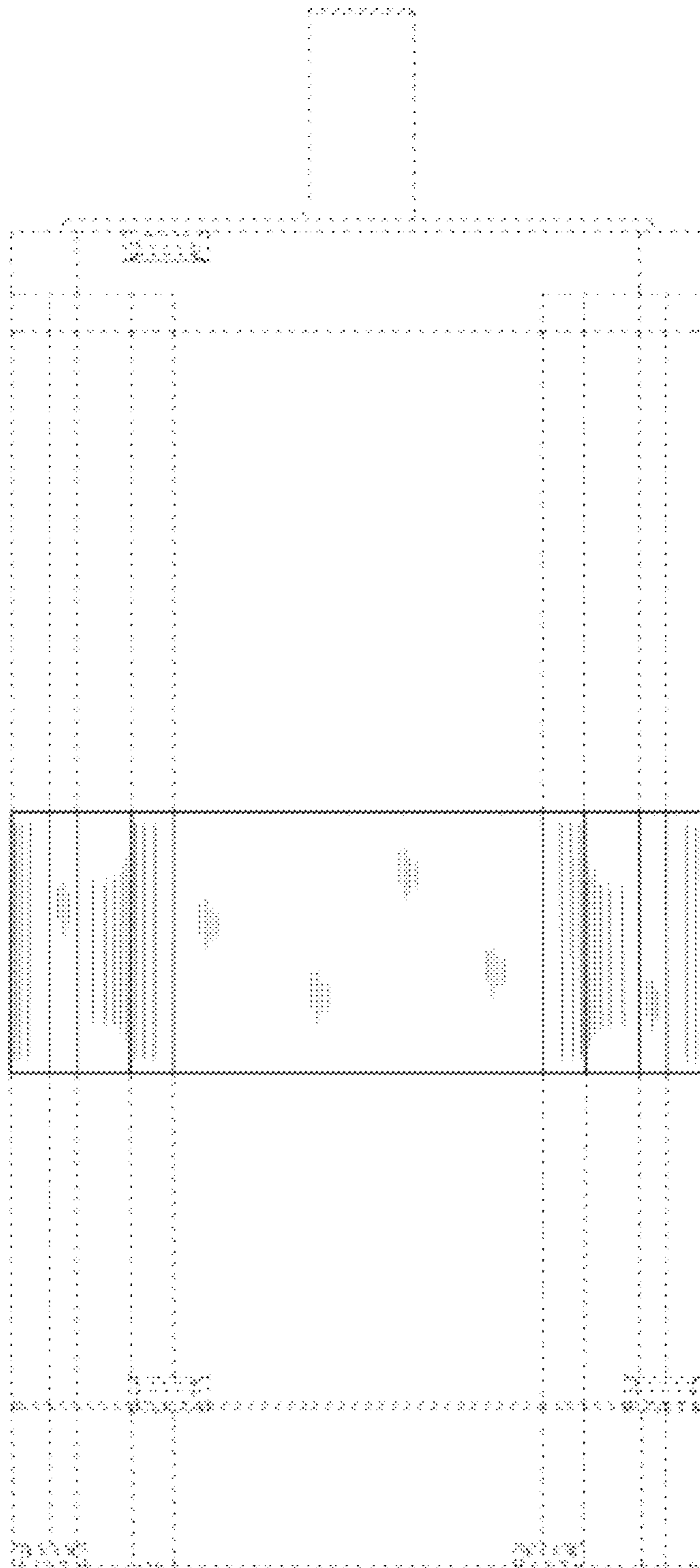


FIG. 7

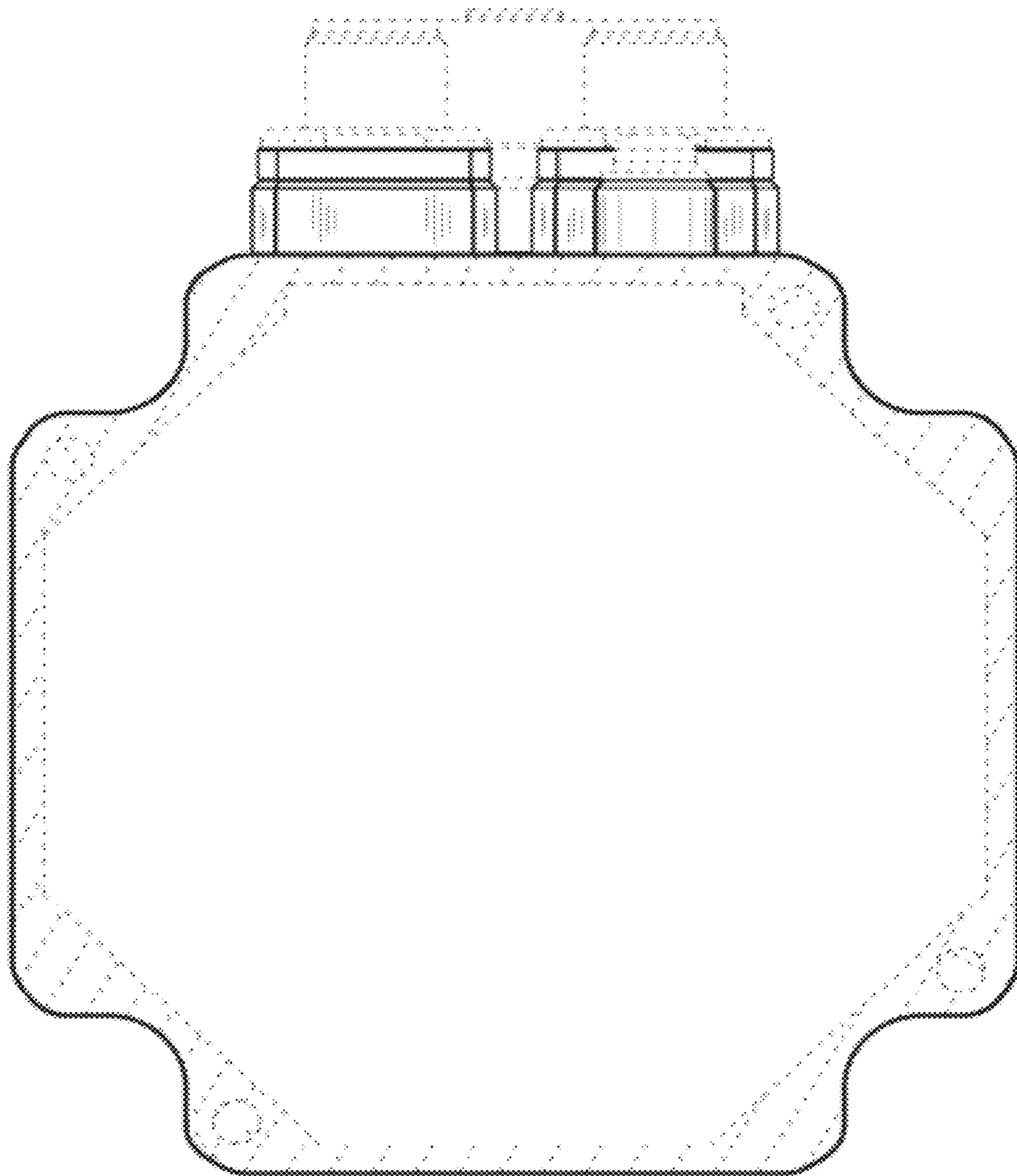




FIG. 8

