



US00D655673S

(12) **United States Design Patent**
Masui

(10) **Patent No.:** **US D655,673 S**

(45) **Date of Patent:** **** Mar. 13, 2012**

(54) **BATTERY**

(75) Inventor: **Kirio Masui**, Tokyo (JP)

(73) Assignee: **Sony Corporation**, Tokyo (JP)

(**) Term: **14 Years**

(21) Appl. No.: **29/371,466**

(22) Filed: **Mar. 9, 2011**

(30) **Foreign Application Priority Data**

Dec. 10, 2010 (JP) D2010-029434

(51) **LOC (9) Cl.** **13-02**

(52) **U.S. Cl.** **D13/103**

(58) **Field of Classification Search** D13/102-106,
D13/110, 118-119, 184, 199; 429/96-100,
429/163, 176

See application file for complete search history.

(56) **References Cited**

U.S. PATENT DOCUMENTS

D320,649 S *	10/1991	Fleming	D23/386
D422,263 S *	4/2000	Waldner	D13/103
D440,201 S *	4/2001	Huynh et al.	D13/103
D442,549 S *	5/2001	Sasaoka	D13/119
D471,558 S	3/2003	Wada		
D478,866 S *	8/2003	Nakai	D13/103
D479,192 S *	9/2003	Fujihara et al.	D13/103
D479,193 S *	9/2003	Fujihara et al.	D13/103
D484,095 S *	12/2003	Stacey	D13/110

D532,363 S	11/2006	Morisawa		
D539,277 S *	3/2007	Okada et al.	D14/248
D625,263 S	10/2010	Takuma		
D630,162 S *	1/2011	Bullen	D13/102
D637,157 S *	5/2011	Andre et al.	D13/119
D642,515 S *	8/2011	Crawford et al.	D13/102

FOREIGN PATENT DOCUMENTS

JP	D1104695 S	3/2004
JP	D1231992 S	3/2005
JP	D1233260 S	3/2005

* cited by examiner

Primary Examiner — Rosemary K Tarcza

(74) *Attorney, Agent, or Firm* — Rader, Fishman & Grauer PLLC

(57) **CLAIM**

The ornamental design for a battery, as shown and described.

DESCRIPTION

FIG. 1 is a perspective view of a battery showing my new design;

FIG. 2 is a rear elevational view thereof;

FIG. 3 is a front elevational view thereof;

FIG. 4 is a left side elevational view thereof;

FIG. 5 is a right side elevational view thereof; and,

FIG. 6 is a top plan view thereof.

Portions in broken lines are for illustrative purposes only and form no part of the claimed design.

1 Claim, 4 Drawing Sheets

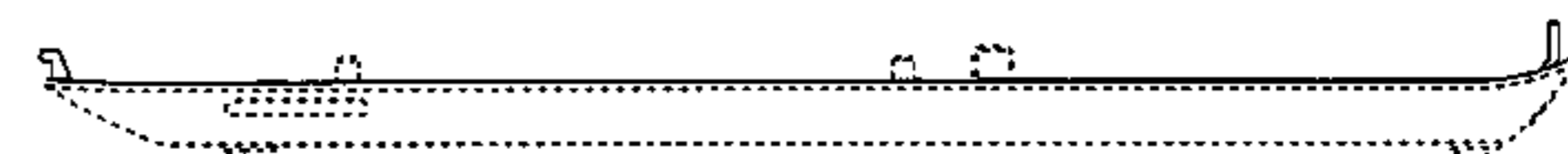
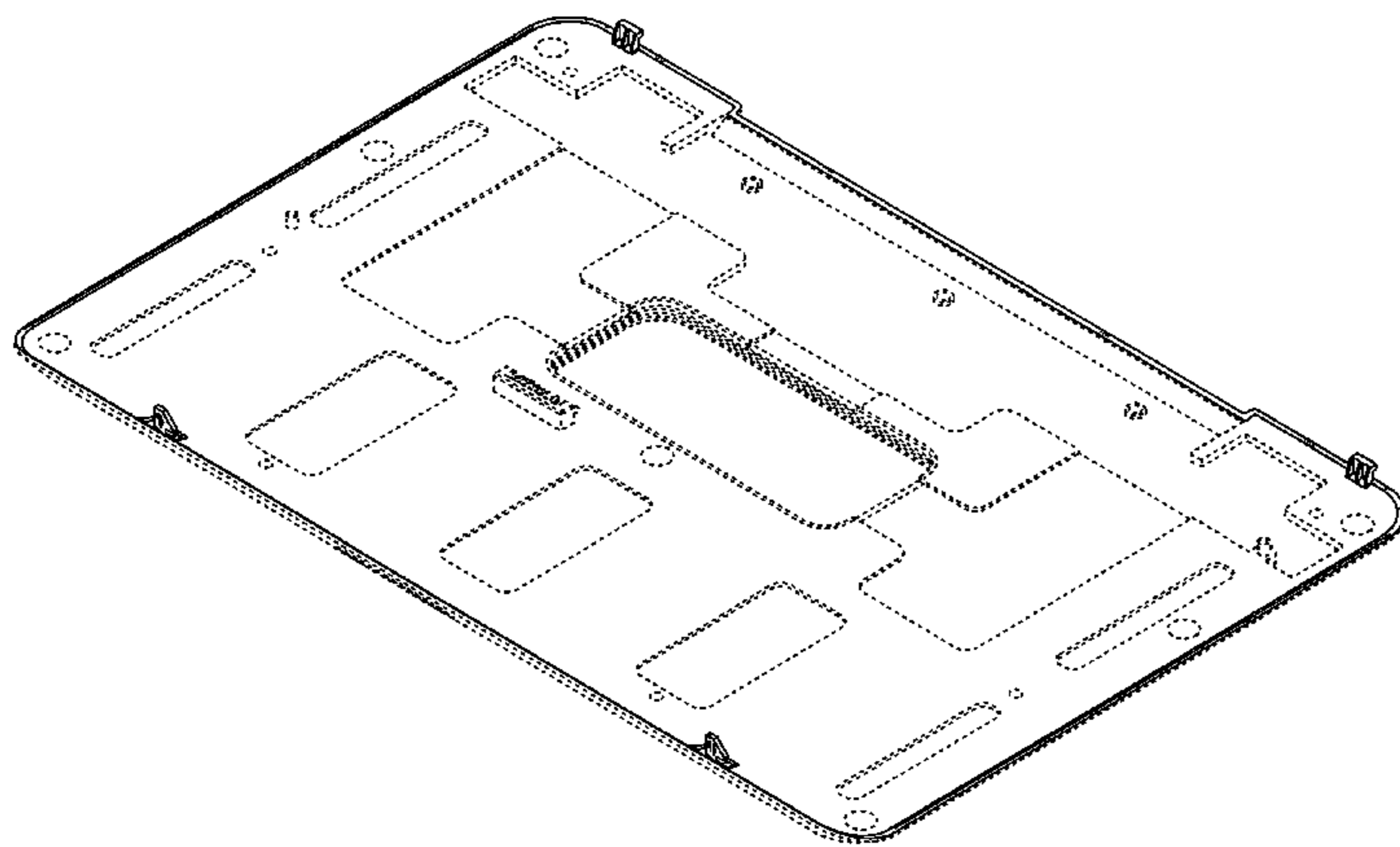


FIG.1

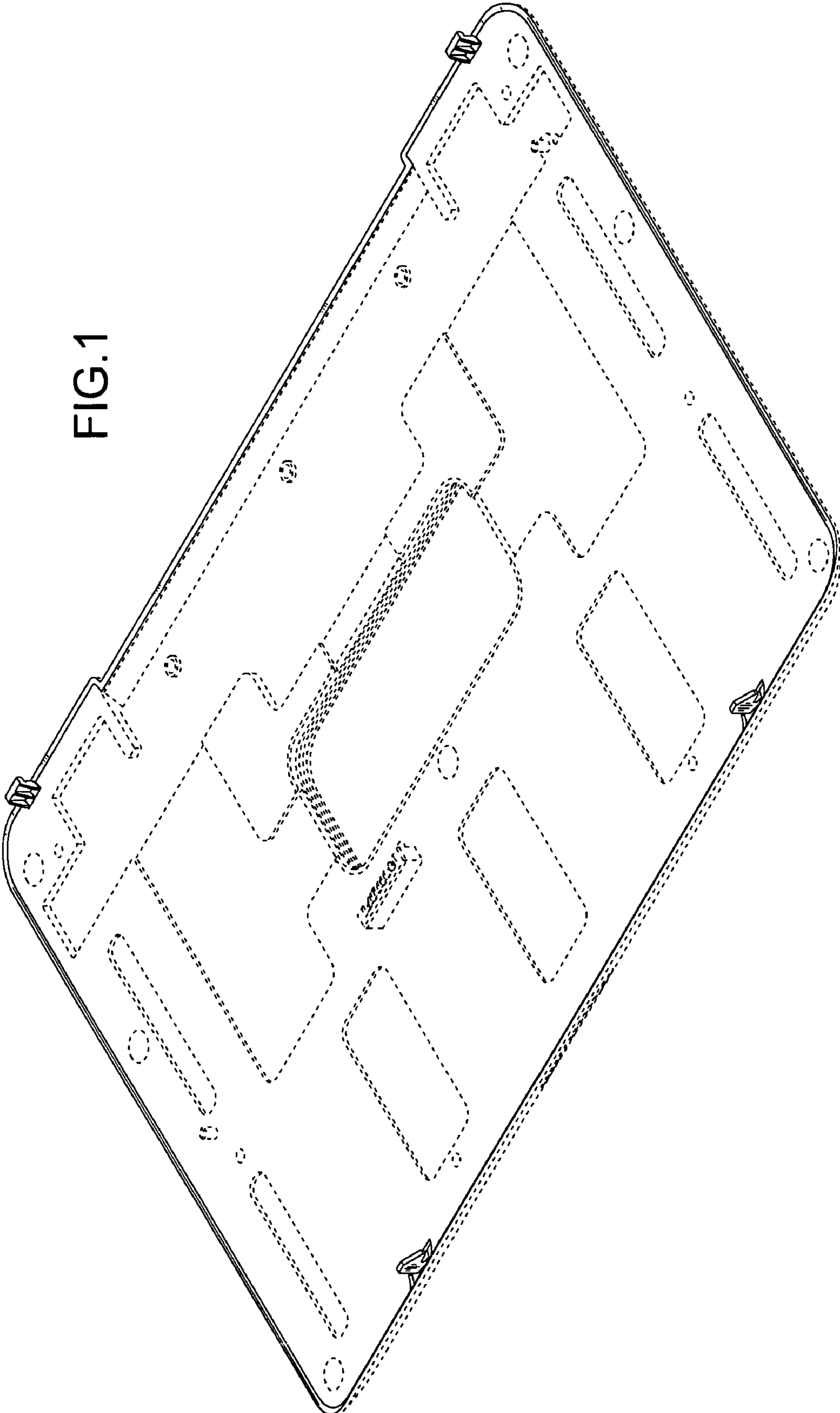


FIG.2

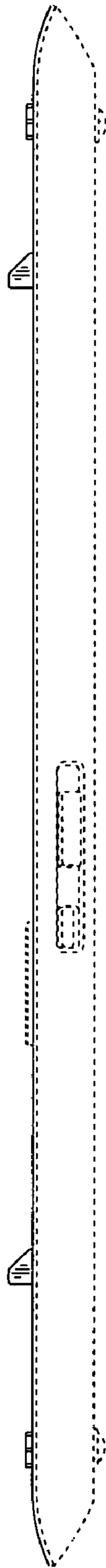


FIG.3

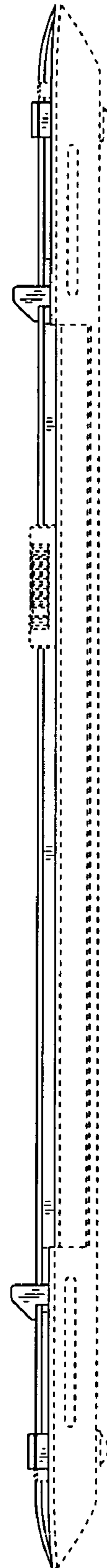


FIG.4

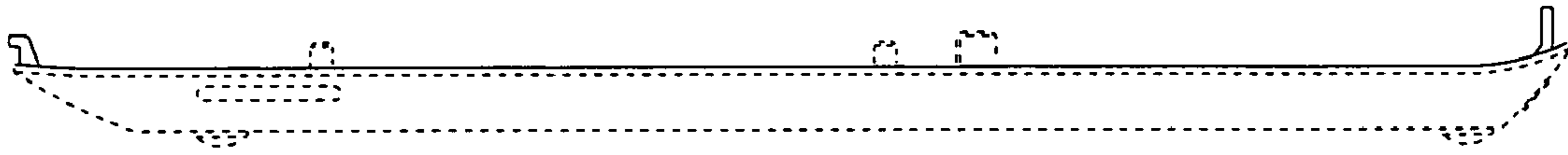


FIG.5

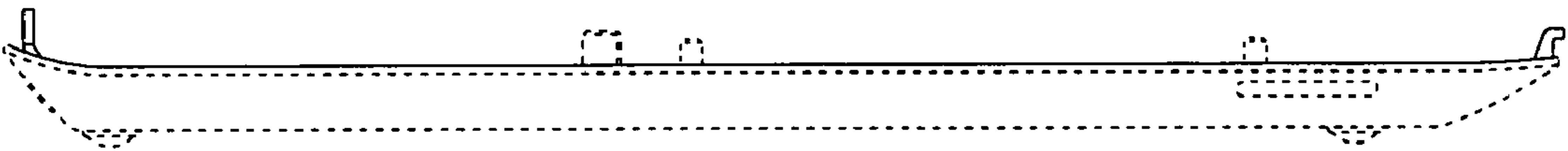


FIG.6

