



US00D655671S

(12) **United States Design Patent**
Yasunaga

(10) **Patent No.:** **US D655,671 S**
(45) **Date of Patent:** **** Mar. 13, 2012**

(54) **AUTOMOBILE TIRE**

(75) Inventor: **Toshikazu Yasunaga**, Osaka (JP)

(73) Assignee: **Toyo Tire & Rubber Co., Ltd.**,
Osaka-shi, Osaka (JP)

(**) Term: **14 Years**

(21) Appl. No.: **29/404,527**

(22) Filed: **Oct. 21, 2011**

(30) **Foreign Application Priority Data**

Jul. 4, 2011 (JP) 2011-015295

(51) **LOC (9) Cl.** **12-15**

(52) **U.S. Cl.** **D12/605**

(58) **Field of Classification Search** D12/500-503,
D12/544, 579, 600-605; 152/523-524, DIG. 12,
152/555; D7/588, 396.4-396.5
See application file for complete search history.

(56) **References Cited**

U.S. PATENT DOCUMENTS

D452,203 S *	12/2001	Kajikawa	D12/605
D569,336 S *	5/2008	Onoe	D12/605
D593,486 S *	6/2009	Yonetsu	D12/605
D596,117 S *	7/2009	Yonetsu	D12/605
D597,025 S *	7/2009	Fujita	D12/605
D600,199 S *	9/2009	Ibaraki	D12/605
D647,474 S *	10/2011	Takahashi	D12/605

FOREIGN PATENT DOCUMENTS

JP	1334784 S	6/2008
JP	1367792 S	8/2009

* cited by examiner

Primary Examiner — Stacia Cadmus

(74) *Attorney, Agent, or Firm* — Westerman, Hattori,
Daniels & Adrian, LLP

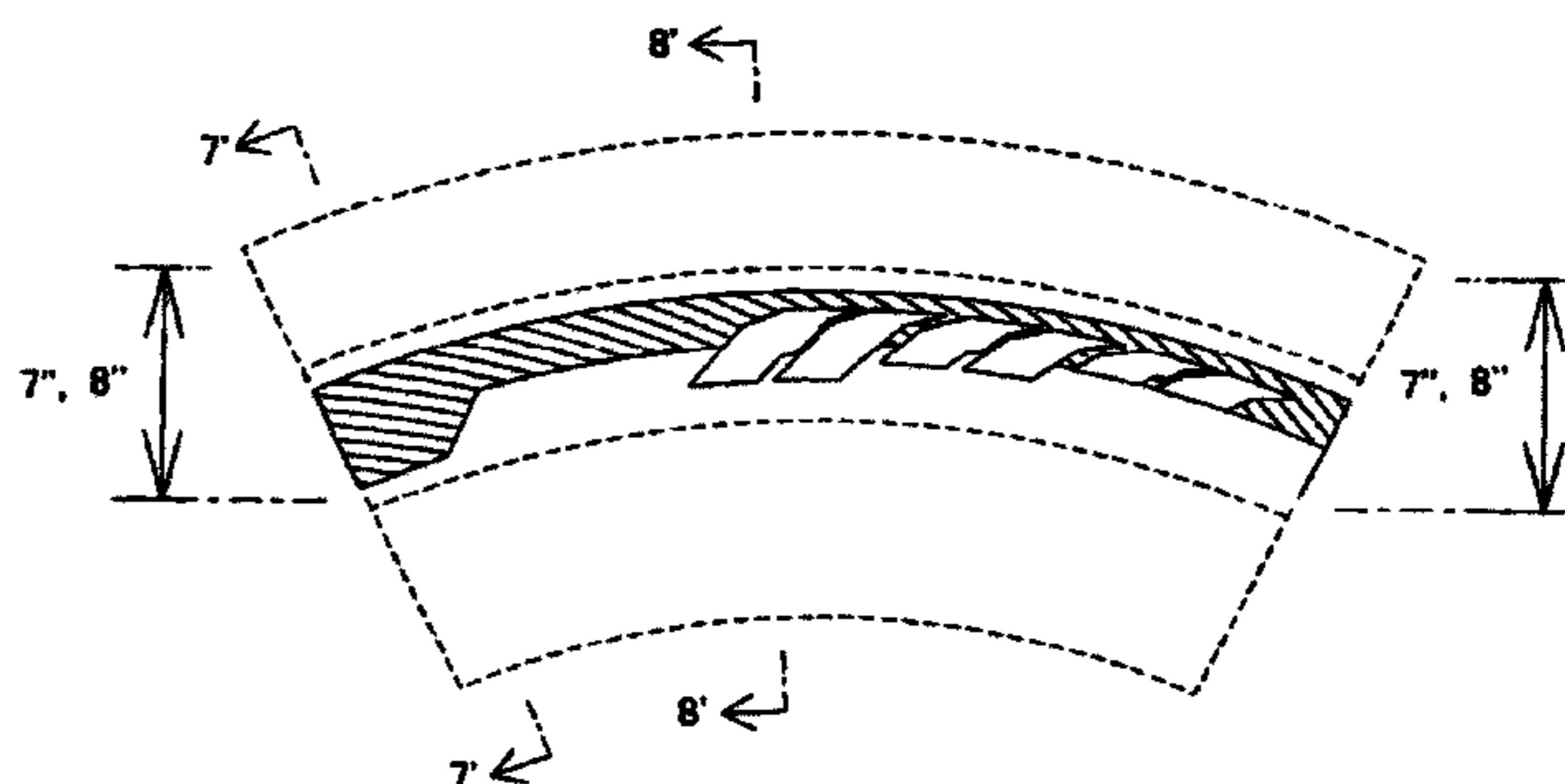
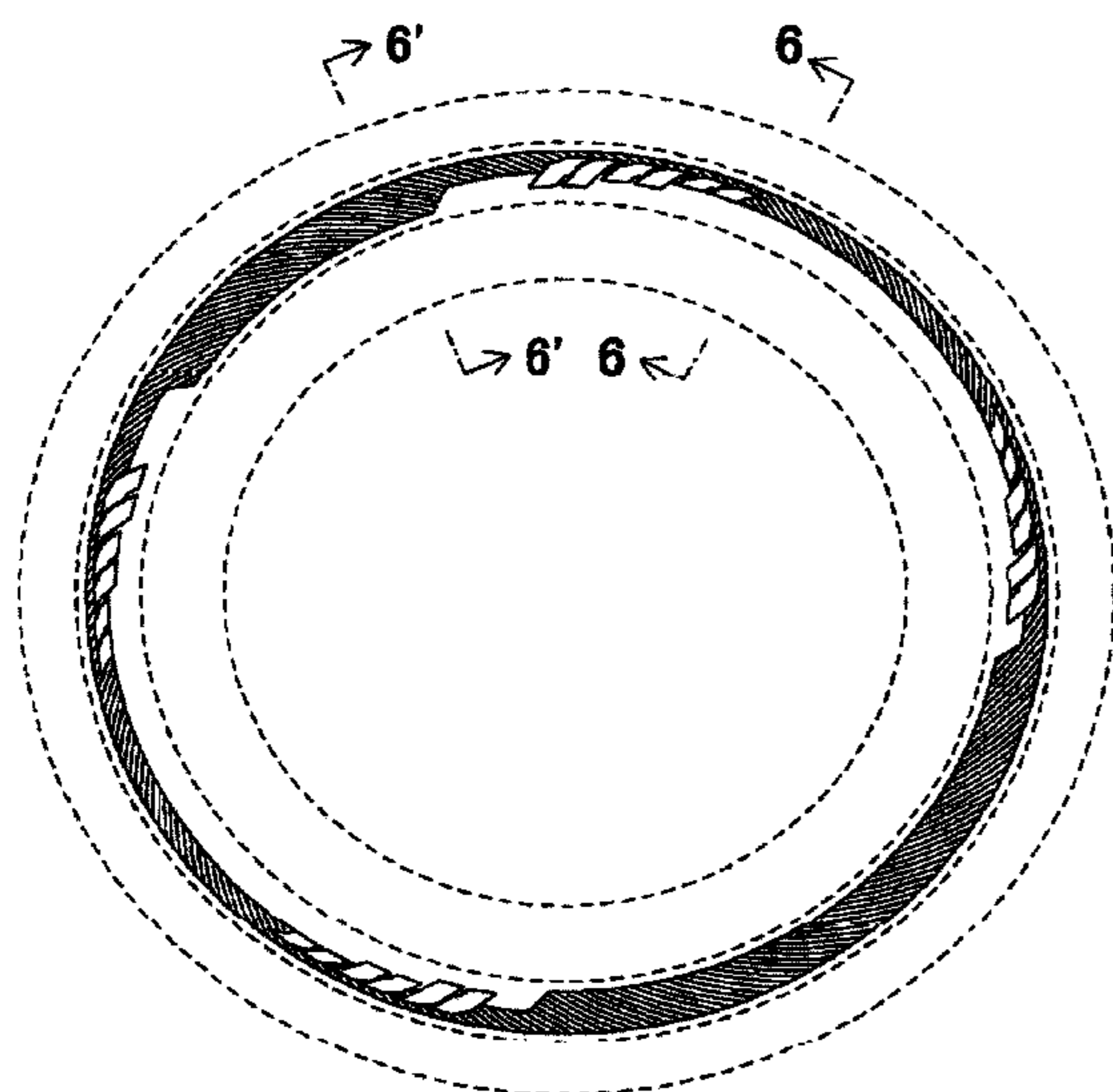
(57) **CLAIM**

The ornamental design for an automobile tire, as shown and described.

DESCRIPTION

FIG. 1 is a front elevational view of an automobile tire showing my new design;
 FIG. 2 is a rear elevational view thereof;
 FIG. 3 is a left-side view thereof;
 FIG. 4 is a top plan view thereof;
 FIG. 5 is a perspective view thereof;
 FIG. 6 is an enlarged view along the line 6'-6' and the line 6-6 in FIG. 1 thereof;
 FIG. 7 is an enlarged cross-sectional view along the line 7'-7' in FIG. 6, in the area designated by 7-7 in FIG. 4 and "7"-7" in FIG. 6 thereof; and,
 FIG. 8 is an enlarged cross-sectional view along line 8'-8' in FIG. 6, in the area designated by 8-8 in FIG. 4 and "8"-8" in FIG. 6.
 The broken lines illustrate environmental structure and form no part of the claimed design.

1 Claim, 8 Drawing Sheets



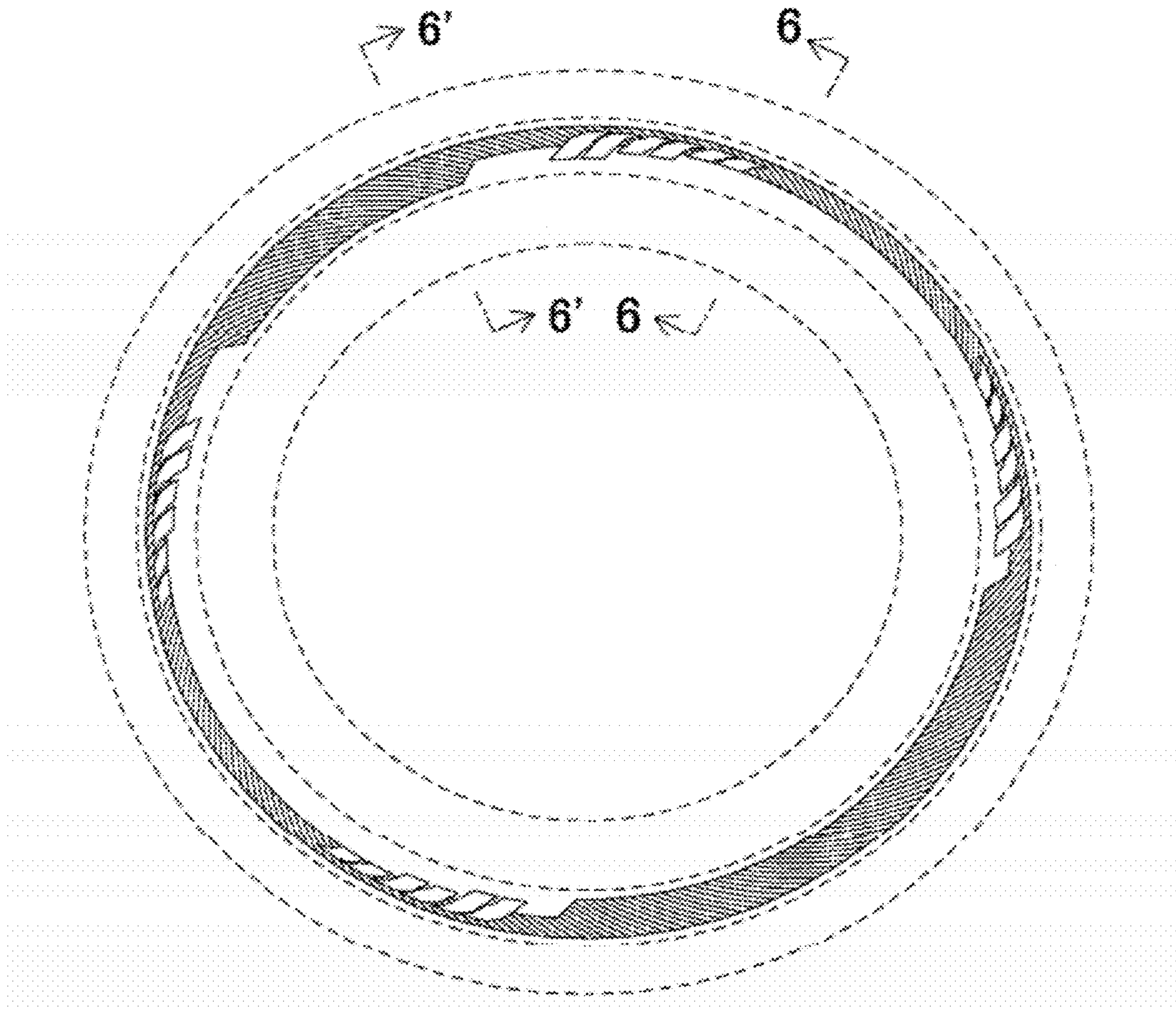


FIG. 1

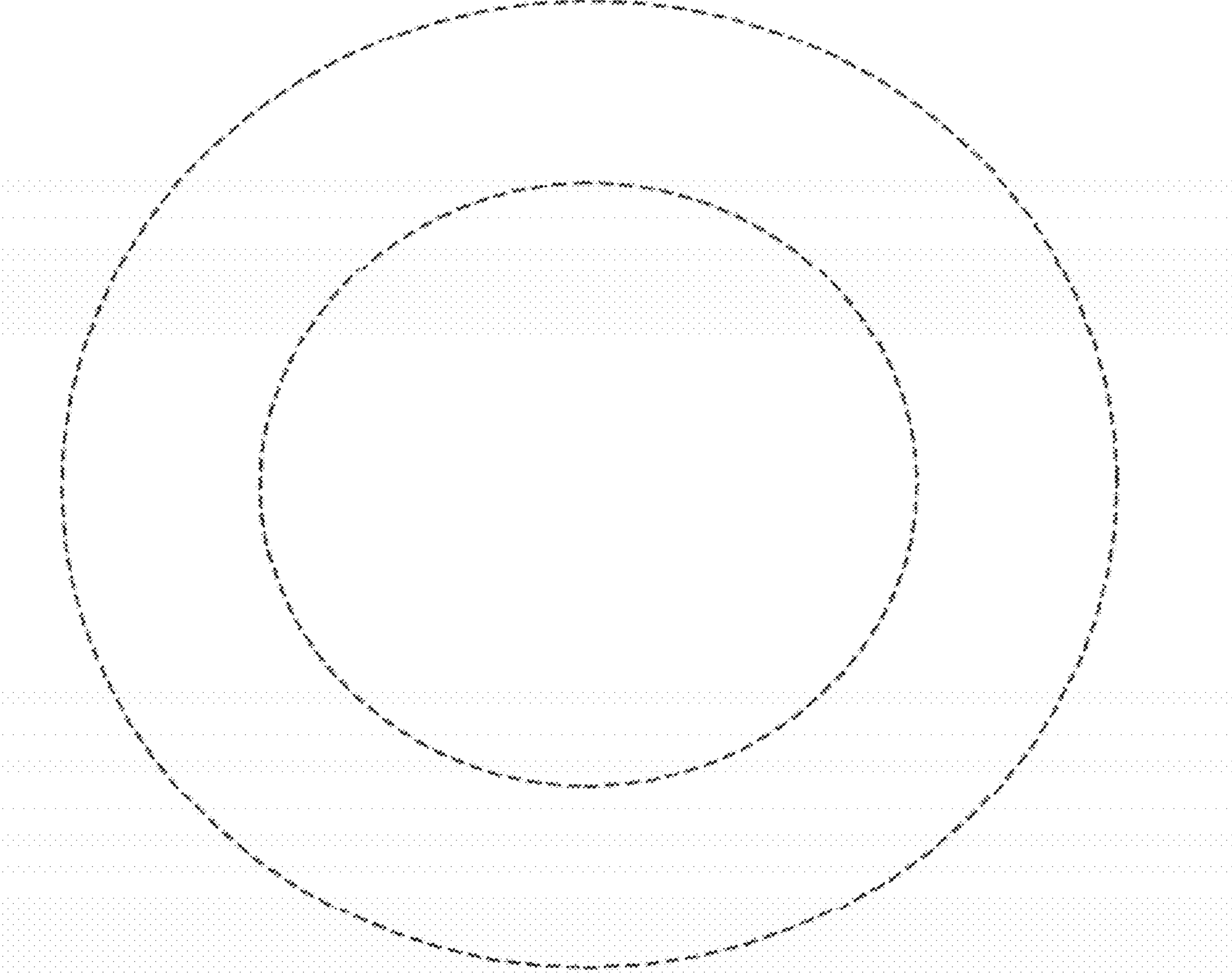


FIG.2

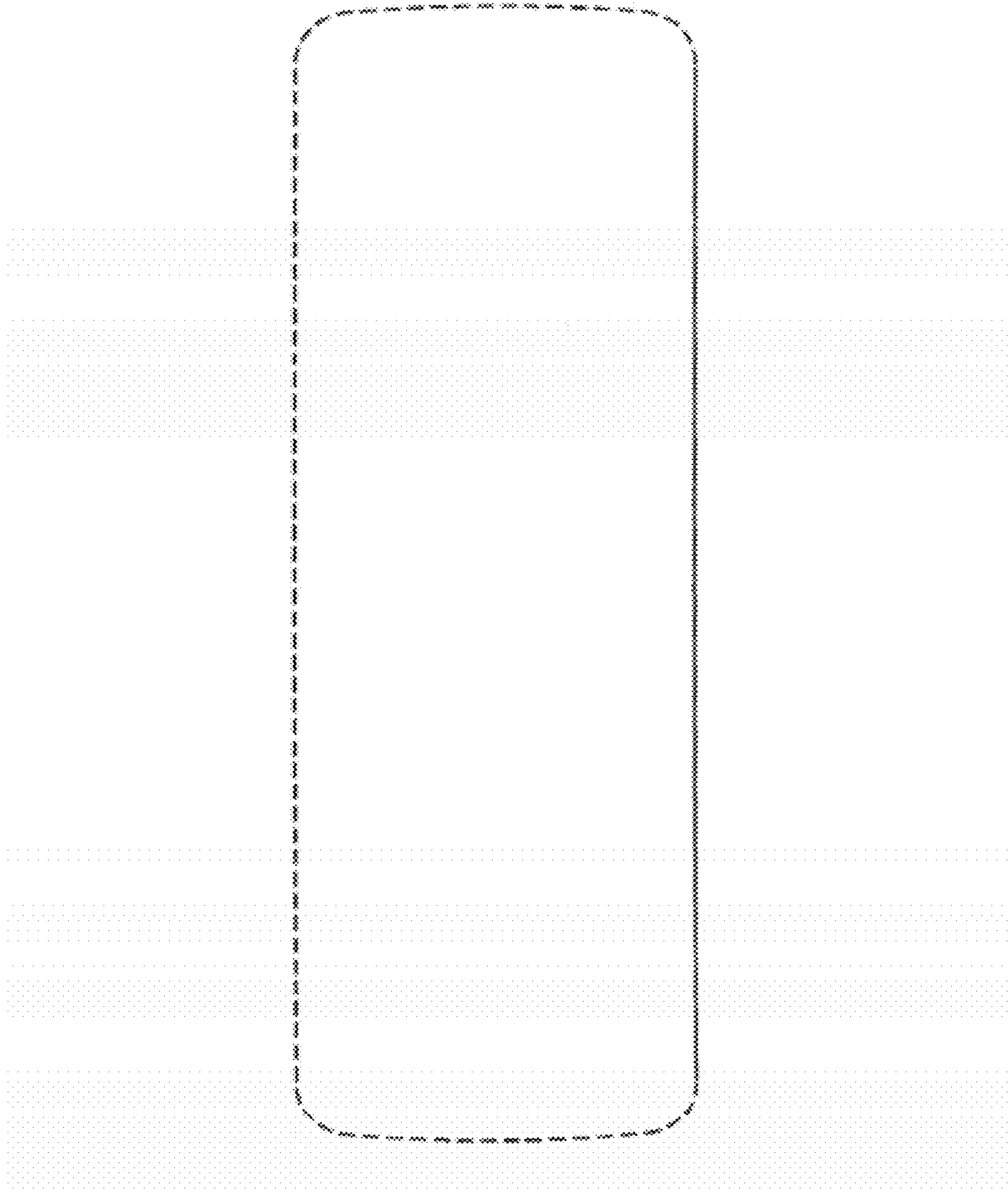


FIG.3



FIG. 4

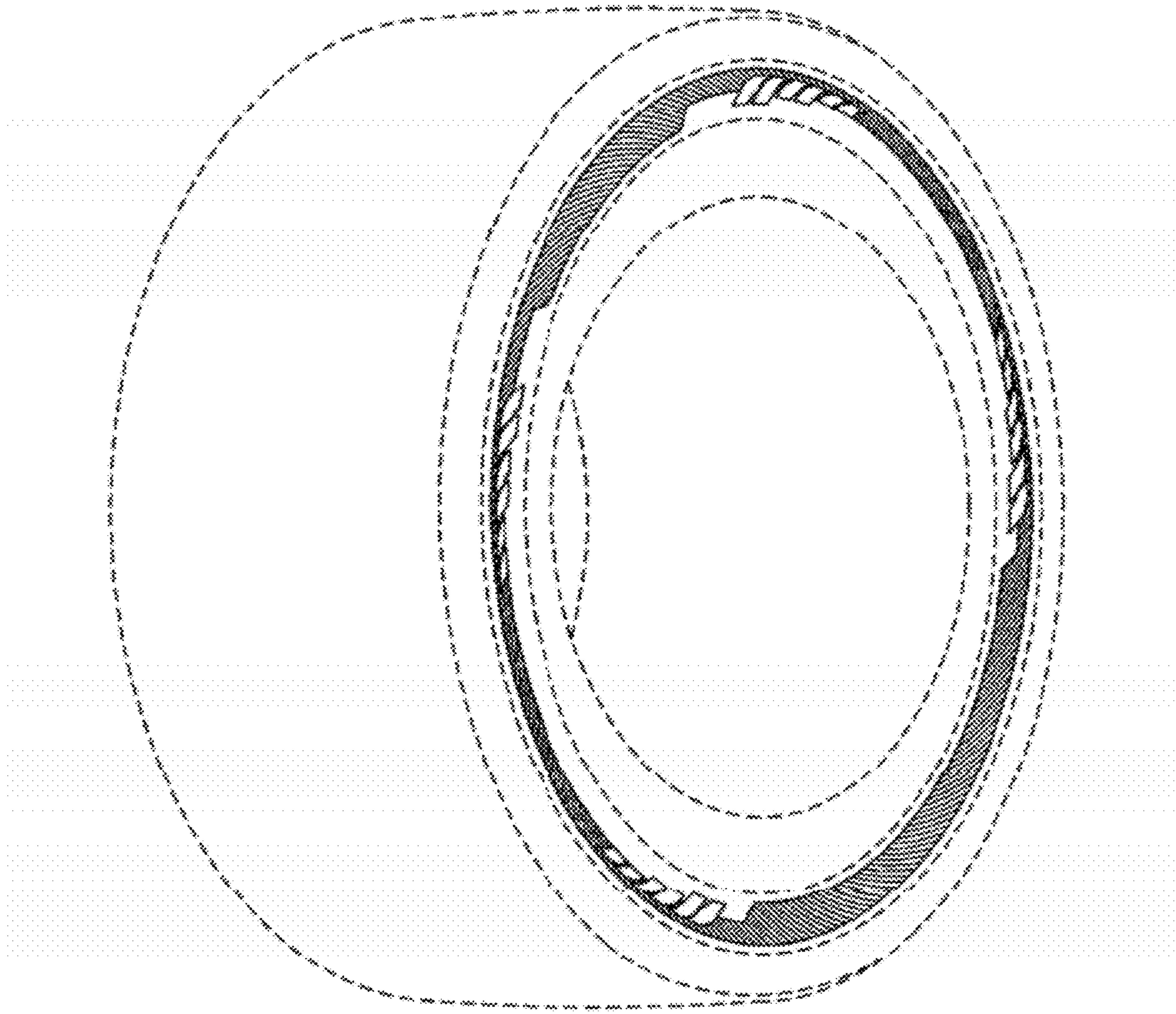


FIG. 5

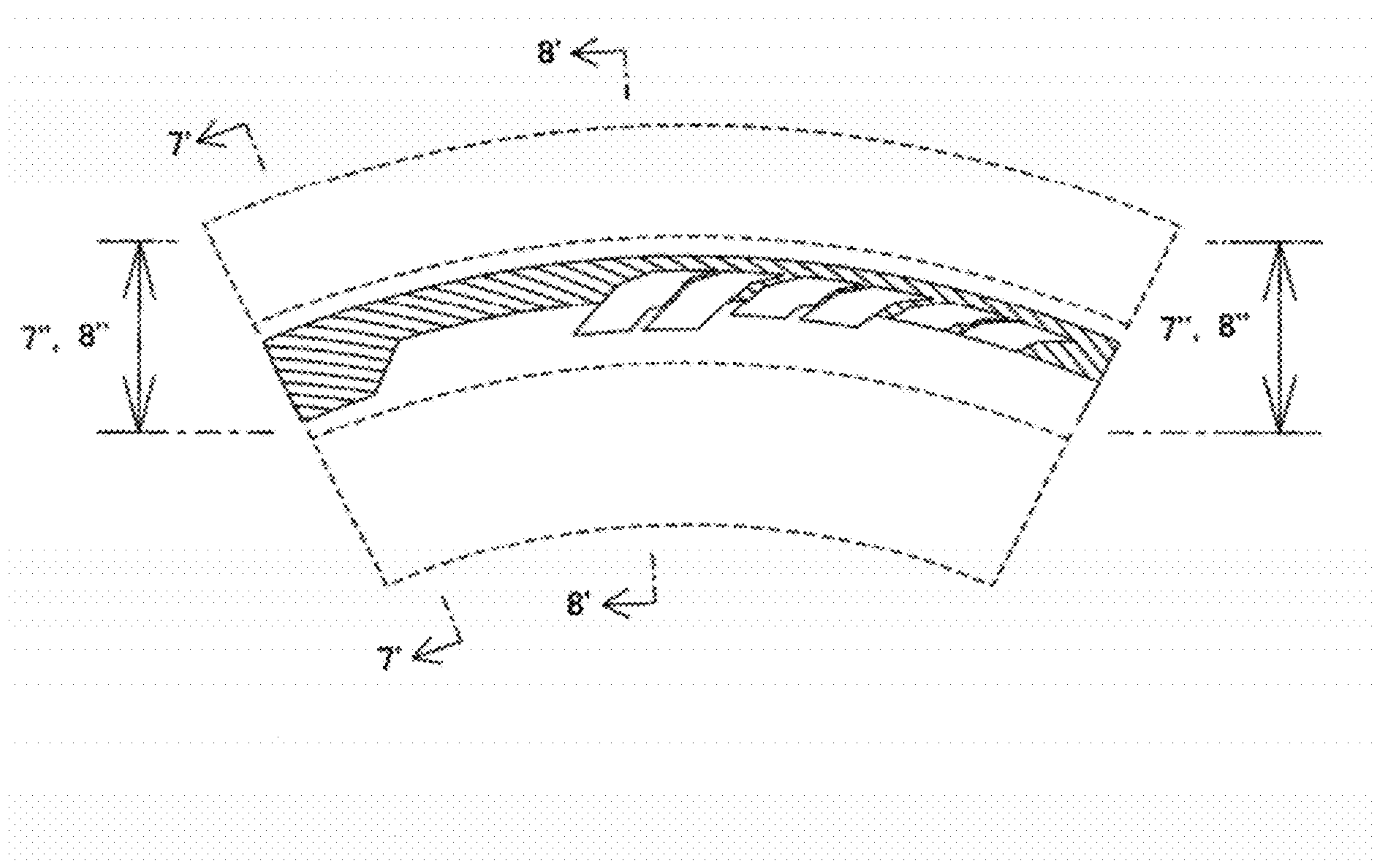
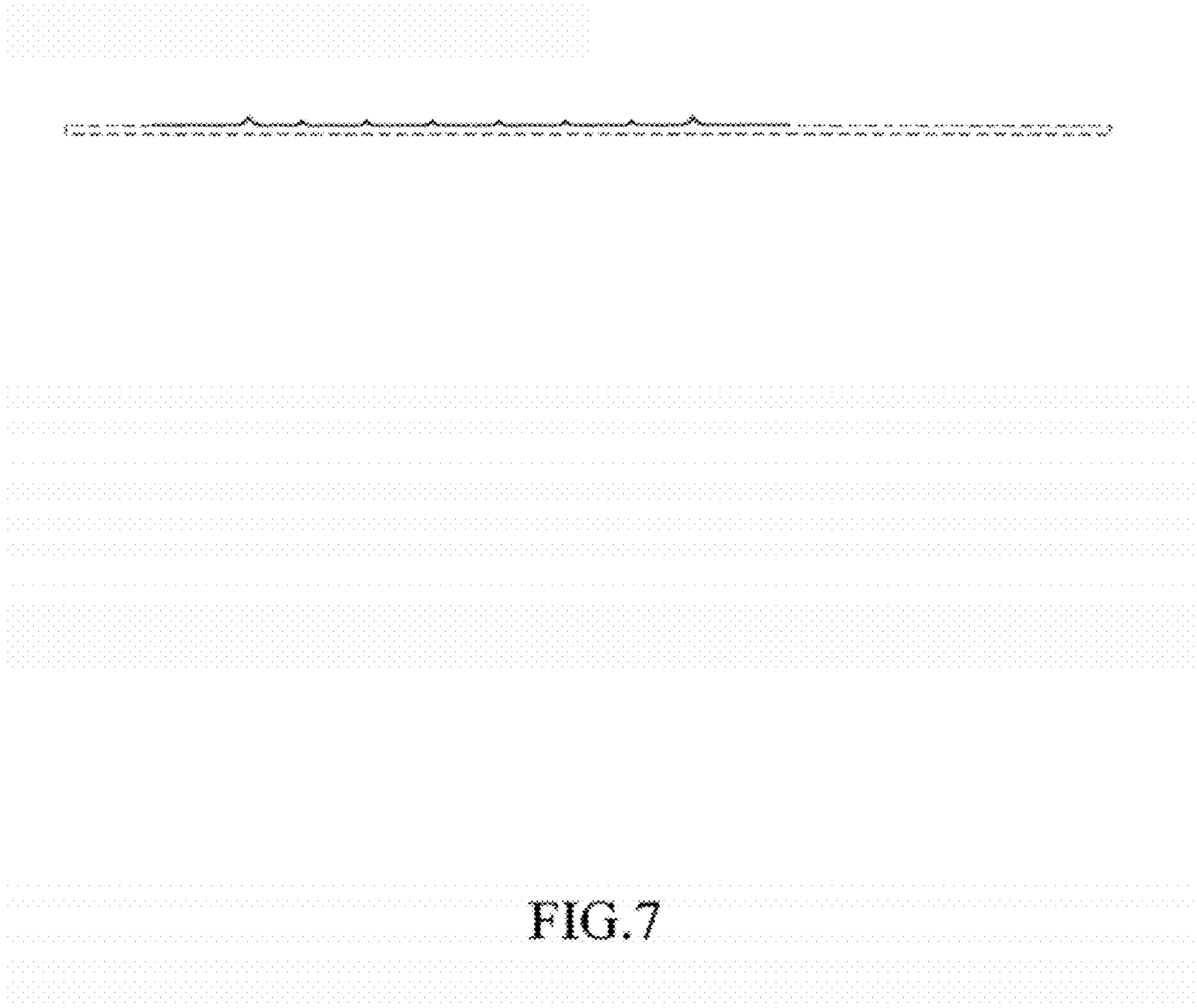


FIG.6



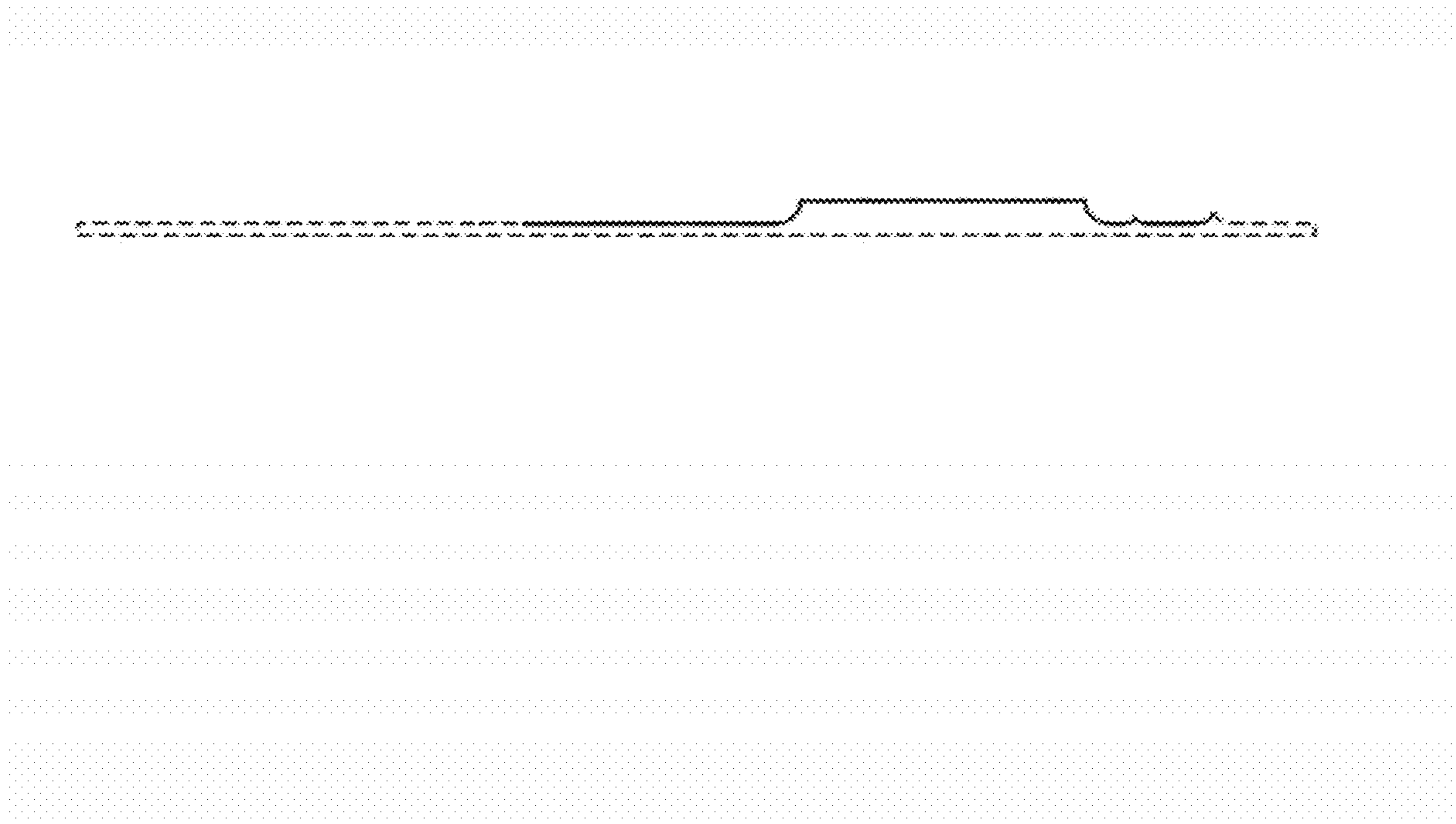


FIG. 8