



US00D655670S

(12) **United States Design Patent**
Zhao

(10) **Patent No.:** **US D655,670 S**

(45) **Date of Patent:** **** Mar. 13, 2012**

(54) **TIRE TREAD**

(75) Inventor: **John Zhao**, Monterey Park, CA (US)

(73) Assignee: **Dcenti Tire Inc.**, Irwindale, CA (US)

(**) Term: **14 Years**

(21) Appl. No.: **29/400,509**

(22) Filed: **Aug. 29, 2011**

(51) **LOC (9) Cl.** **12-15**

(52) **U.S. Cl.** **D12/550; D12/556**

(58) **Field of Classification Search** D12/533,
D12/546-567, 581-582, 584-585, 586, 590-591,
D12/900-901; 152/209.1-209.28, 455
See application file for complete search history.

(56) **References Cited**

U.S. PATENT DOCUMENTS

D333,644 S *	3/1993	Kawabata et al.	D12/550
D370,440 S *	6/1996	Kuwajima et al.	D12/550
D396,674 S *	8/1998	Lassan et al.	D12/550
D471,147 S *	3/2003	Kuwajima	D12/550
D486,442 S *	2/2004	Kuwajima	D12/556
D490,362 S *	5/2004	Salvan et al.	D12/550
D511,739 S *	11/2005	Yamane et al.	D12/550
D525,191 S *	7/2006	Okubo	D12/550

D562,219 S *	2/2008	Oh	D12/550
D582,840 S *	12/2008	Bombardier et al.	D12/550
D583,304 S *	12/2008	Heinen et al.	D12/550
D590,326 S *	4/2009	Lee et al.	D12/550
D614,565 S *	4/2010	Bombardier et al.	D12/550

* cited by examiner

Primary Examiner — Stacia Cadmus

(74) *Attorney, Agent, or Firm* — Dariush G. Adli; Adli Law Group P.C.

(57) **CLAIM**

I claim the ornamental design for a tire tread, as shown and described.

DESCRIPTION

FIG. 1 is perspective view of the tire tread showing a new design, it being understood that the pattern repeats uniformly throughout the circumference of the tread; FIG. 2 is a front elevational view thereof; FIG. 3 is a side elevational view thereof; and, FIG. 4 is an enlarged fragmentary perspective view. In the drawings, the broken line defining the sidewall and inner bead and the peripheral boundary between the tire tread and the sidewall are for illustrative purposes only and form no part of the claimed design.

1 Claim, 4 Drawing Sheets

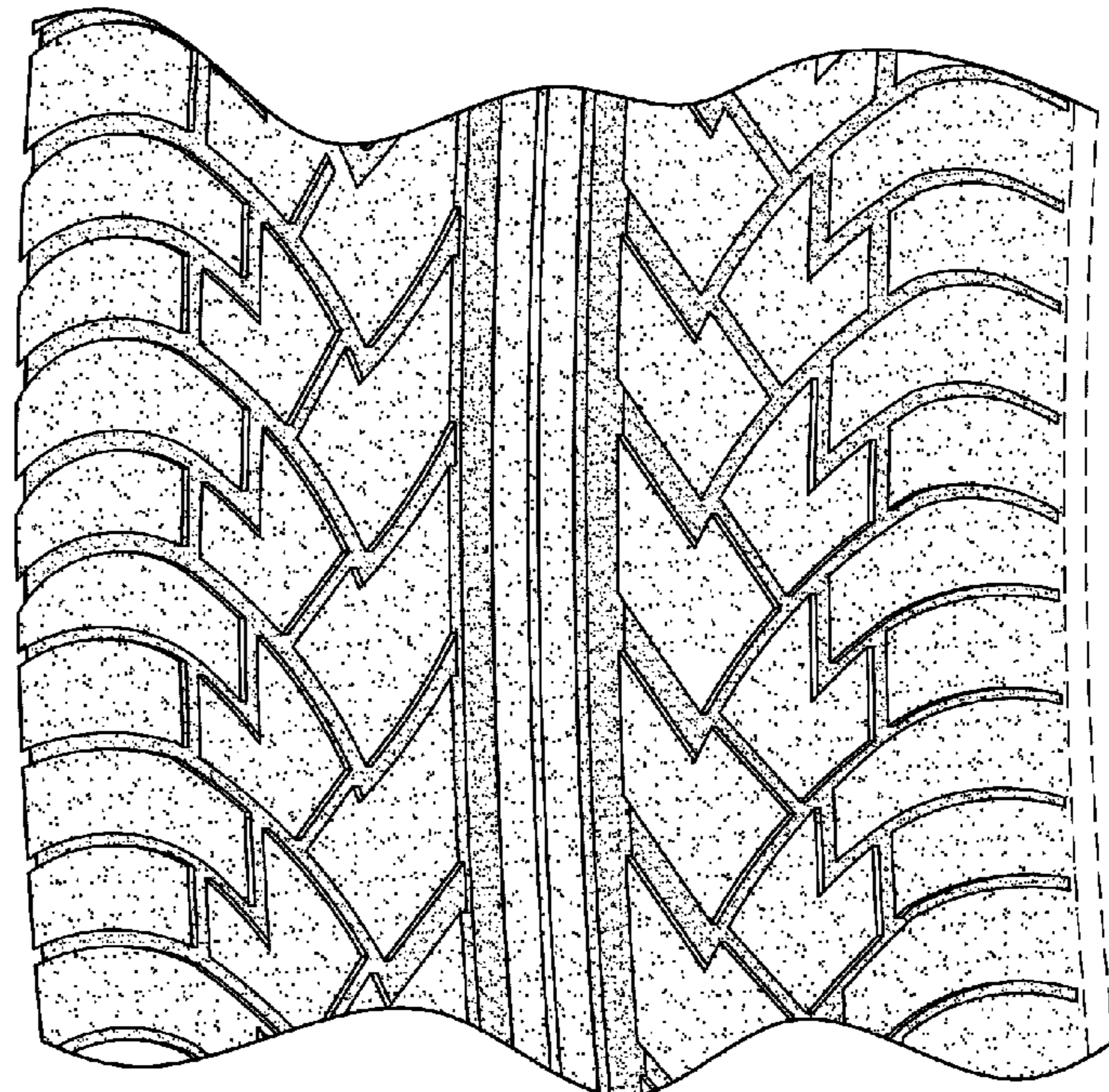
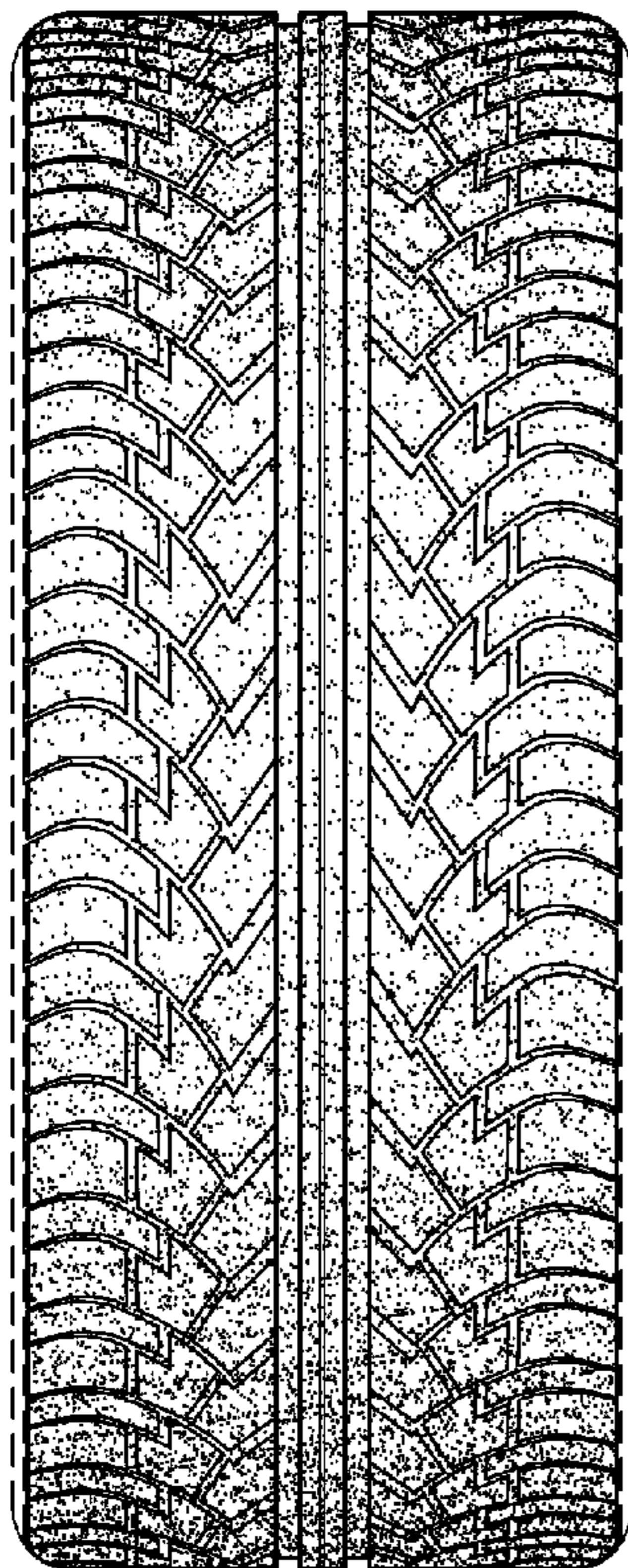


FIG. 1

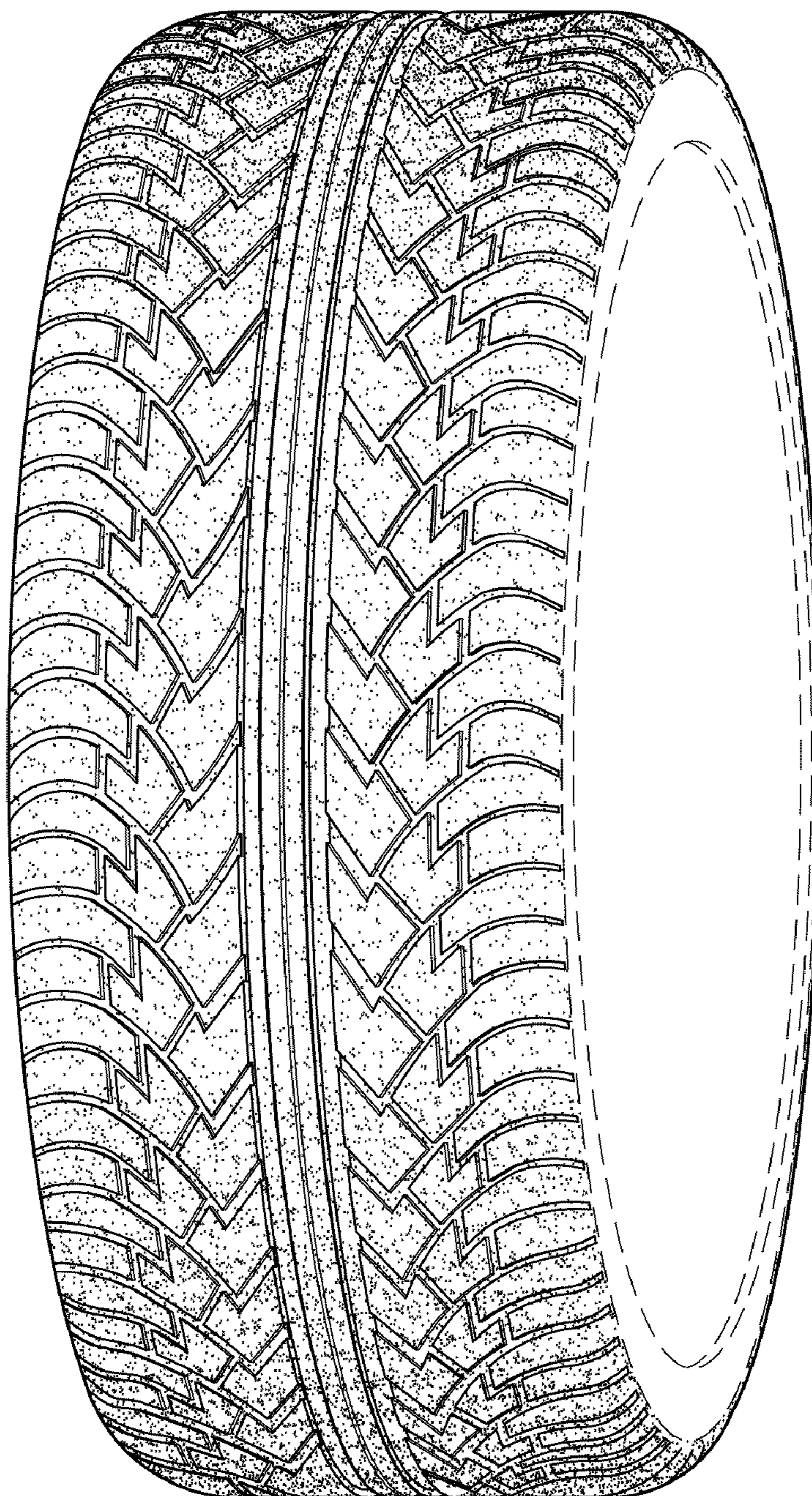


FIG. 2

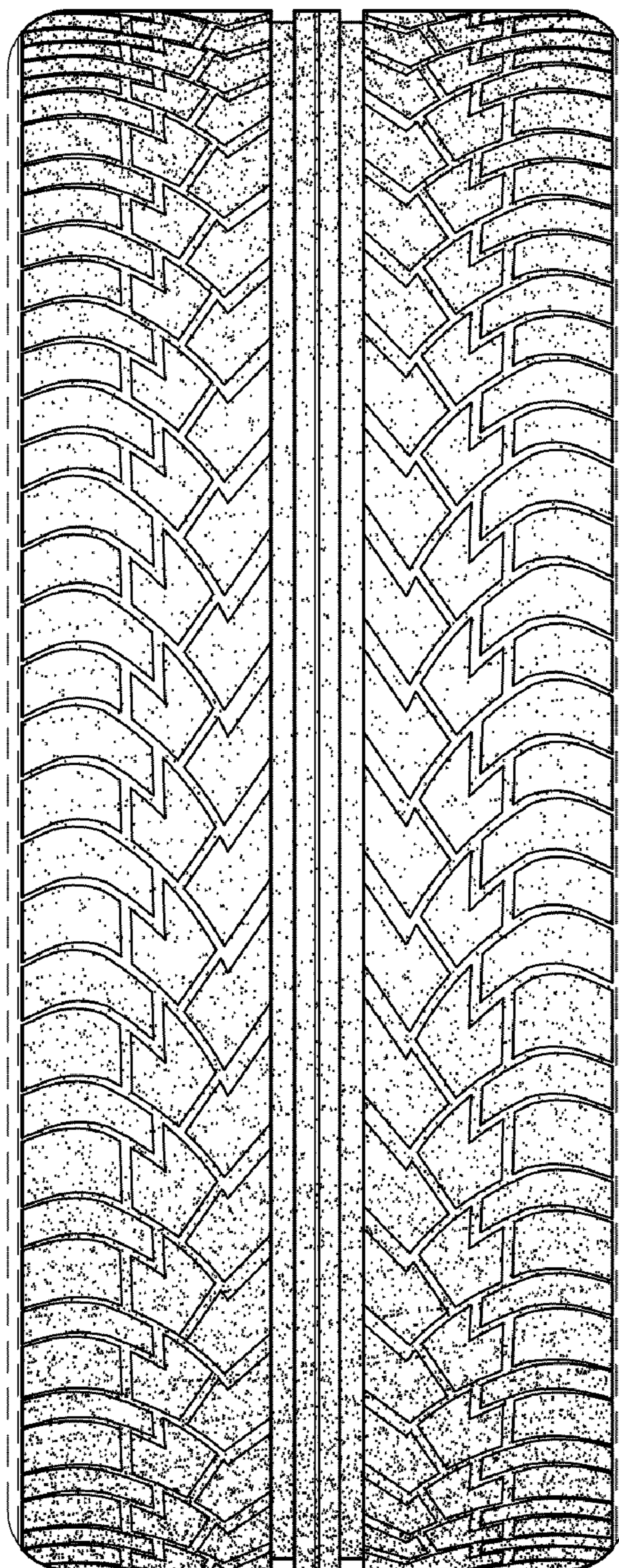


FIG. 3

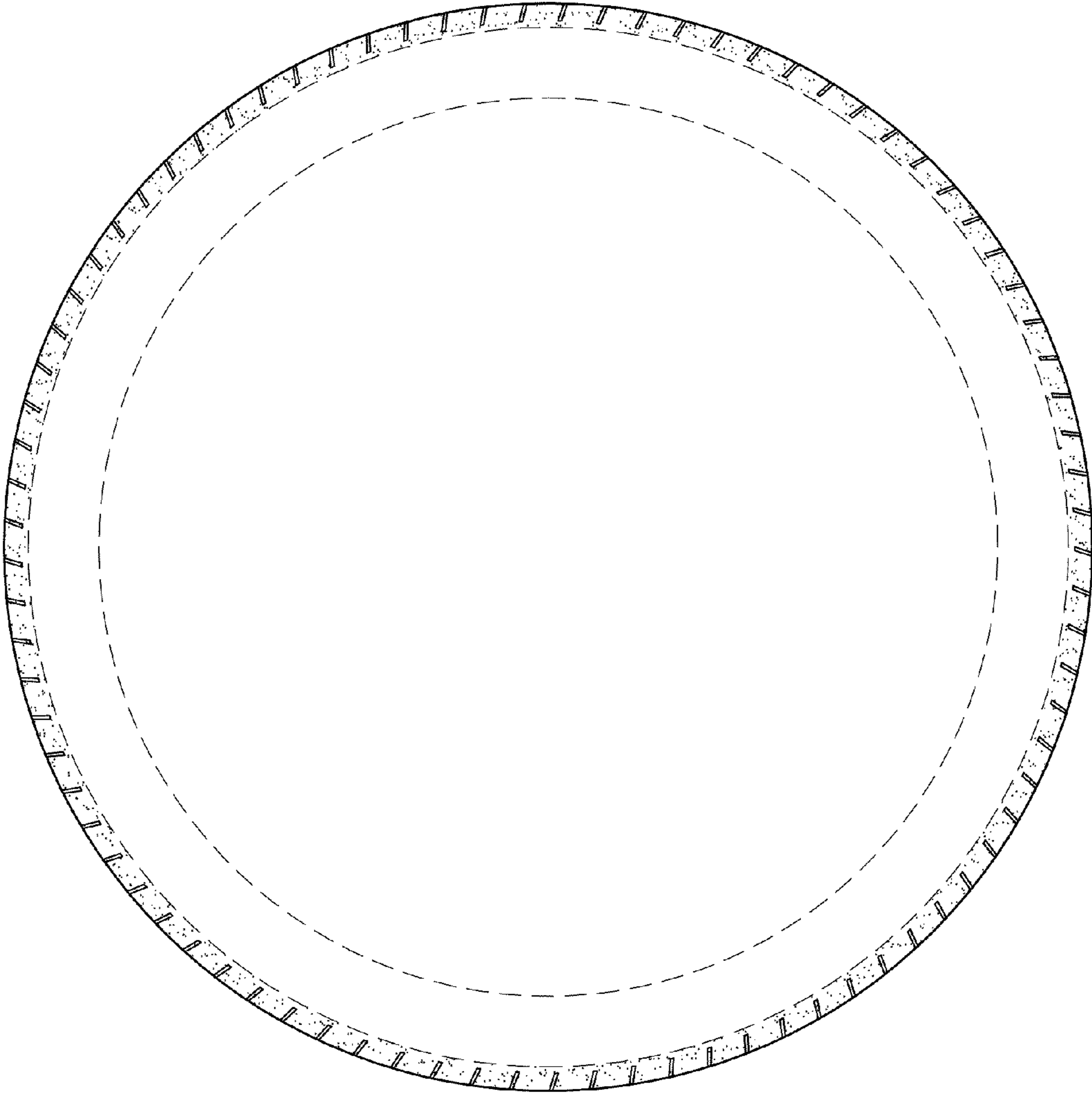


FIG. 4

