



US00D655669S

(12) **United States Design Patent**  
**Matijevich**

(10) **Patent No.:** **US D655,669 S**  
(45) **Date of Patent:** **\*\* Mar. 13, 2012**

- (54) **TRUCK CRADLE ASSEMBLY**
- (76) Inventor: **Tony Matijevich**, Chino, CA (US)
- (\*\*) Term: **14 Years**
- (21) Appl. No.: **29/378,315**
- (22) Filed: **Nov. 2, 2010**
- (51) **LOC (9) Cl.** ..... **12-06**
- (52) **U.S. Cl.** ..... **D12/223**
- (58) **Field of Classification Search** ..... D8/380,  
D8/373, 354, 356, 394-396; D12/223, 400,  
D12/408, 411, 420; 248/200, 300, 65, 674  
See application file for complete search history.

D623,576 S \* 9/2010 Lemieux ..... D12/223  
 7,918,433 B2 \* 4/2011 Melton et al. .... 248/674  
 D639,150 S \* 6/2011 Olson et al. .... D8/380

\* cited by examiner

*Primary Examiner* — Cynthia M Chin  
*Assistant Examiner* — Sheryl Lane  
 (74) *Attorney, Agent, or Firm* — Hani Z. Sayed; Rutan & Tucker, LLP

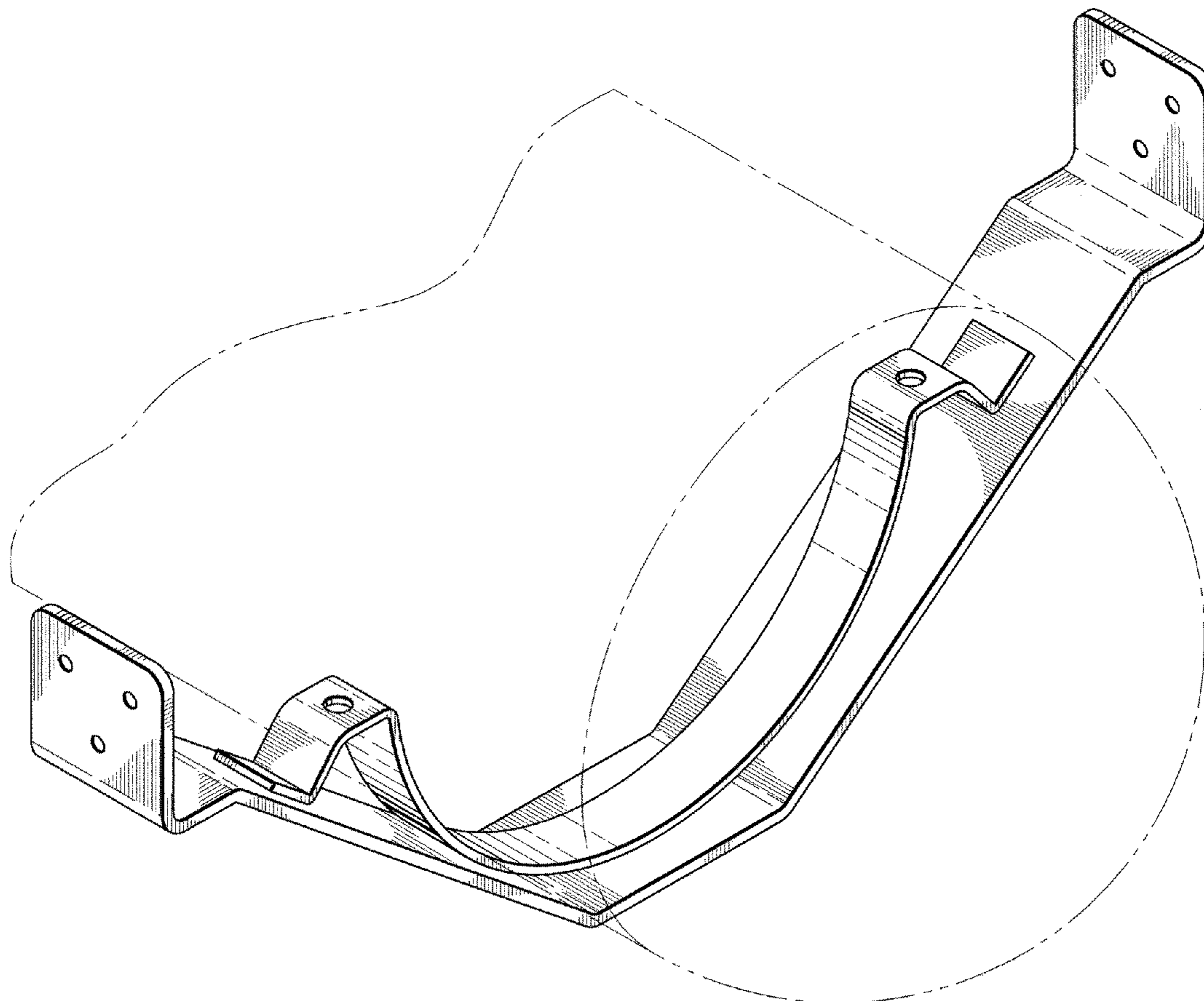
(57) **CLAIM**  
 The ornamental design for a truck cradle assembly, as shown and described.

**DESCRIPTION**

FIG. 1 is a top, front left side perspective view of a truck cradle assembly showing my new design;  
 FIG. 2 is a rear elevation view;  
 FIG. 3 is a top plan view;  
 FIG. 4 is a bottom plan view; and,  
 FIG. 5 is a left side elevation view.  
 The broken lines are included for the purpose of illustrating environment and form no part of the claimed design.

**1 Claim, 3 Drawing Sheets**

- (56) **References Cited**
- U.S. PATENT DOCUMENTS
- D244,748 S \* 6/1977 Canterbury ..... D8/380
- D265,285 S \* 7/1982 Englert, Jr. .... D8/354
- D360,544 S \* 7/1995 Gauthier ..... D6/411
- D445,668 S \* 7/2001 Hills, Sr. .... D8/354
- D523,803 S \* 6/2006 Smith et al. .... D12/223
- D597,921 S \* 8/2009 Krug ..... D12/223
- D608,619 S \* 1/2010 Gulbrandsen et al. .... D8/354



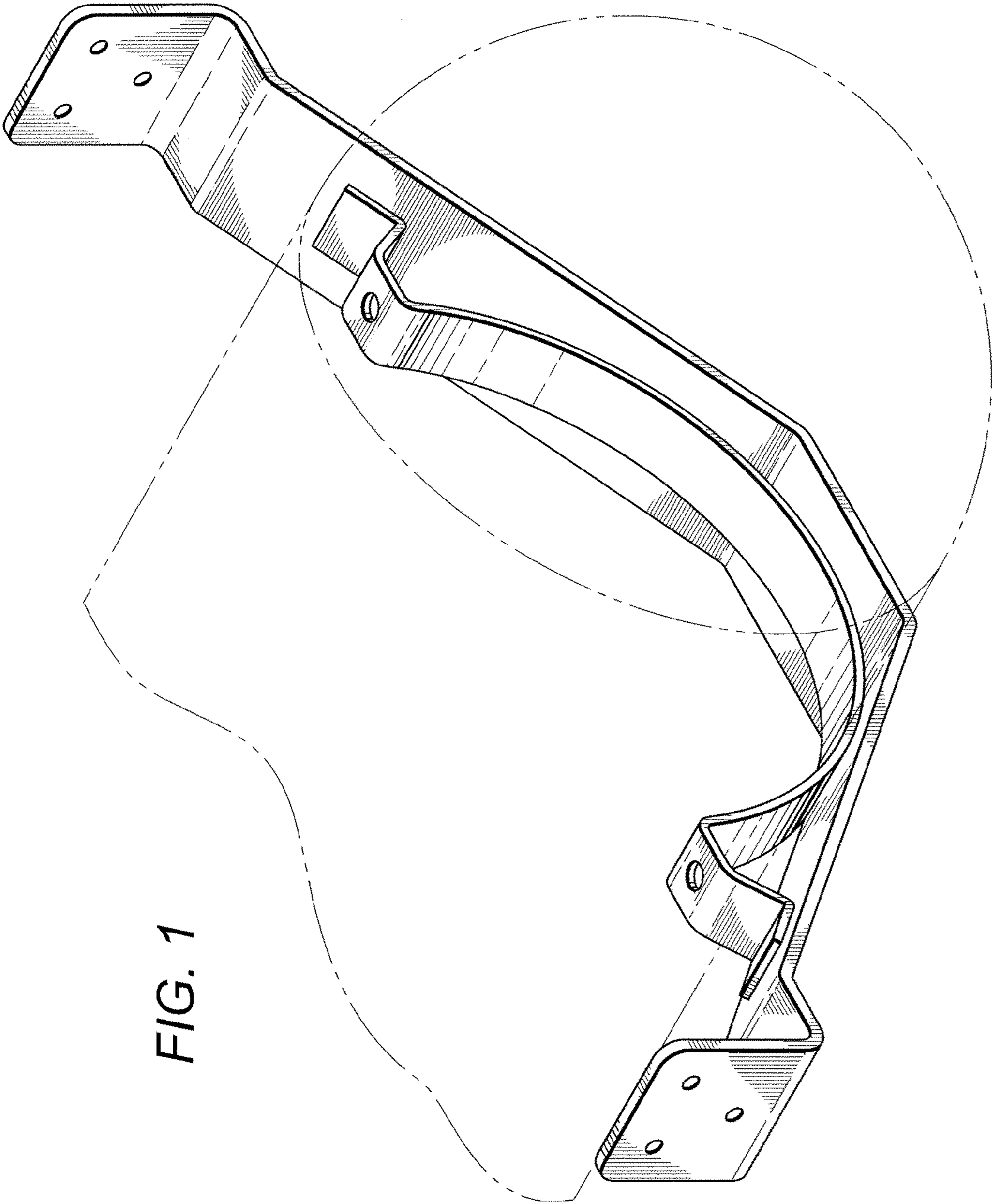


FIG. 1

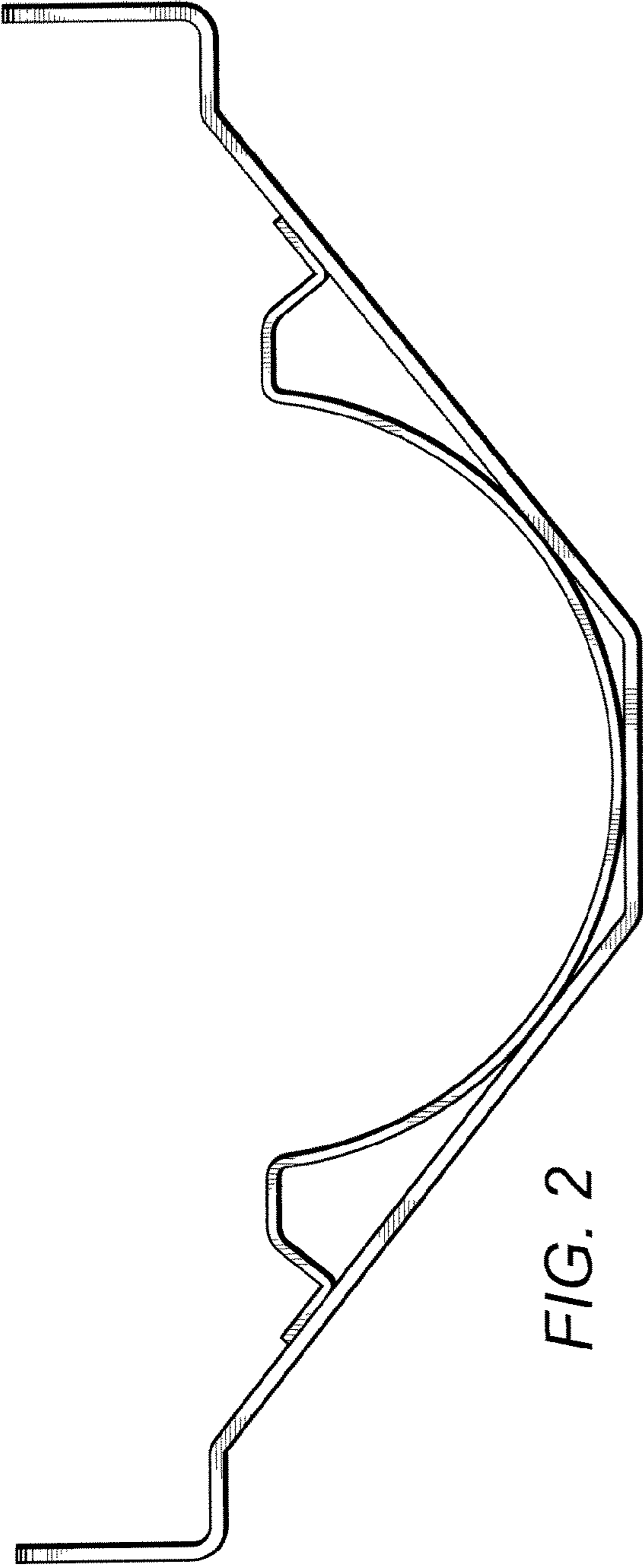


FIG. 2

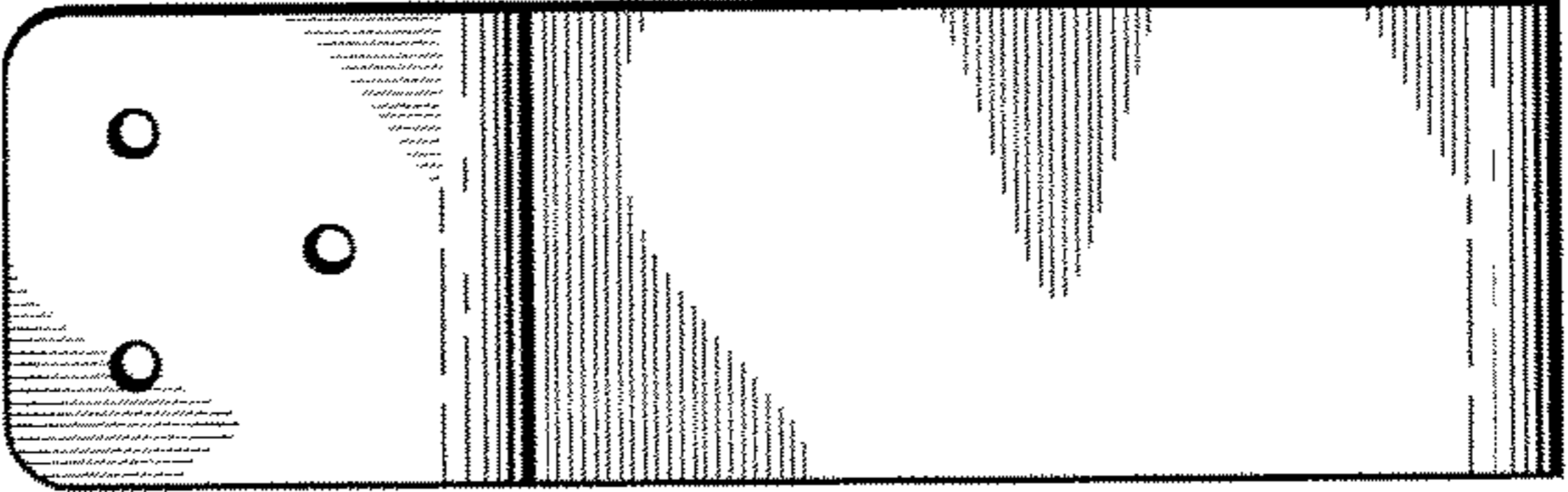


FIG. 5

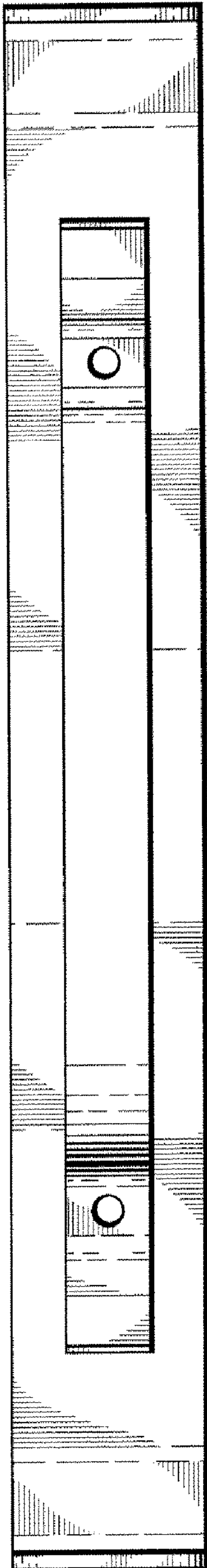


FIG. 3

FIG. 4

