

US00D655667S

(12) **United States Design Patent**  
**Angus et al.**

(10) **Patent No.:** **US D655,667 S**  
(45) **Date of Patent:** **\*\* Mar. 13, 2012**

(54) **APPLIANCE WHEEL PLACEMENT CHOCK**

D433,660 S \* 11/2000 Hough ..... D12/217  
D453,765 S \* 2/2002 Lewtan ..... D14/459  
6,880,763 B1 \* 4/2005 Ford ..... 238/14

(75) Inventors: **Michael T. Angus**, Derry, PA (US);  
**David Paul Yankes**, Monroeville, PA  
(US)

**OTHER PUBLICATIONS**

Posi-Set—Wheel Placement System for Commercial Cooking  
Equipment, Dormont, Export, PA.

(73) Assignee: **Dormont Manufacturing Company**,  
Export, PA (US)

\* cited by examiner

(\*\*) Term: **14 Years**

*Primary Examiner* — Barbara Fox

(21) Appl. No.: **29/368,115**

(74) *Attorney, Agent, or Firm* — Edward Wildman Palmer  
LLP; David J. Silvia; George N. Chaclas

(22) Filed: **Aug. 18, 2010**

(57) **CLAIM**

The ornamental design for an appliance wheel placement  
chock, as shown and described.

(51) **LOC (9) Cl.** ..... **12-06**

(52) **U.S. Cl.** ..... **D12/217**

(58) **Field of Classification Search** ..... D12/114,  
D12/120, 180, 203, 217; D8/400–499; D34/27,  
D34/35; 188/32, 4 R, 36; 280/293; 428/156;  
248/346.1; 16/18 R

**DESCRIPTION**

See application file for complete search history.

FIG. 1 is a top perspective view of the appliance wheel place-  
ment chock according to the present disclosure.

FIG. 2 is a top view of the appliance wheel placement chock  
according to the present disclosure.

FIG. 3 is a bottom view of the appliance wheel placement  
chock according to the present disclosure.

FIG. 4 is a right side view of the appliance wheel placement  
chock according to the present disclosure.

FIG. 5 is a left side view of the appliance wheel placement  
chock according to the present disclosure.

FIG. 6 is a front view of the appliance wheel placement chock  
according to the present disclosure; and,

FIG. 7 is a back view of the appliance wheel placement chock  
according to the present disclosure.

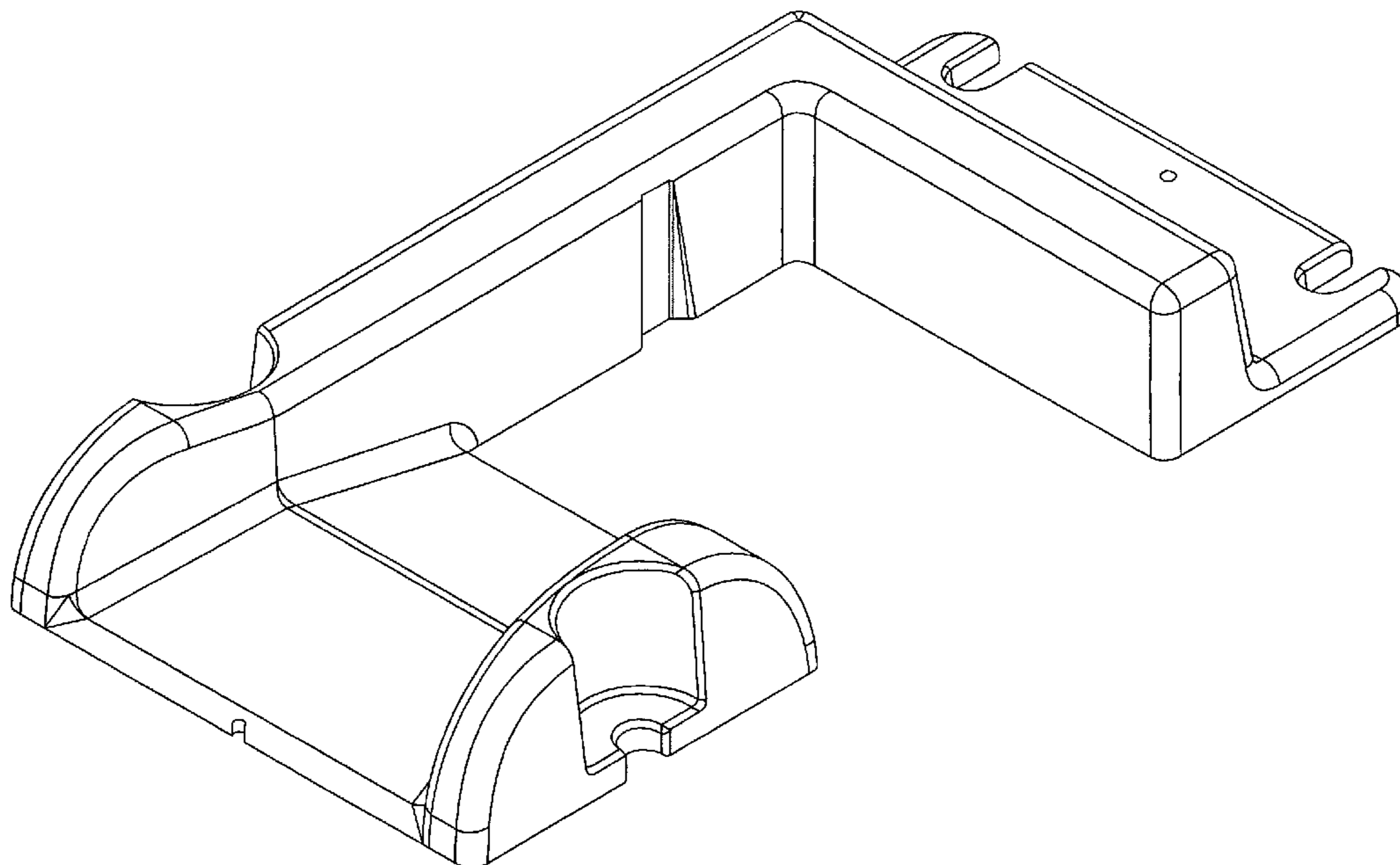
The broken lines shown in the drawings represent unclaimed  
portions of the appliance wheel placement chock and form no  
part of the claimed design.

(56) **References Cited**

**U.S. PATENT DOCUMENTS**

2,521,539	A	9/1950	Richardson	
2,730,196	A *	1/1956	Kirk	188/4 R
3,811,536	A	5/1974	Haynes	
4,911,270	A	3/1990	Hudson	
5,046,587	A	9/1991	Jones	
D331,696	S *	12/1992	Graham	D8/402
5,210,903	A	5/1993	Horning	
5,266,378	A *	11/1993	Stephenson et al.	428/156
5,383,639	A	1/1995	Byard	
5,562,215	A *	10/1996	Blakey et al.	211/17
D387,323	S *	12/1997	Wilcox	D12/217
D401,210	S *	11/1998	Chiang	D12/217
D424,419	S *	5/2000	Avinger	D8/395

**1 Claim, 7 Drawing Sheets**



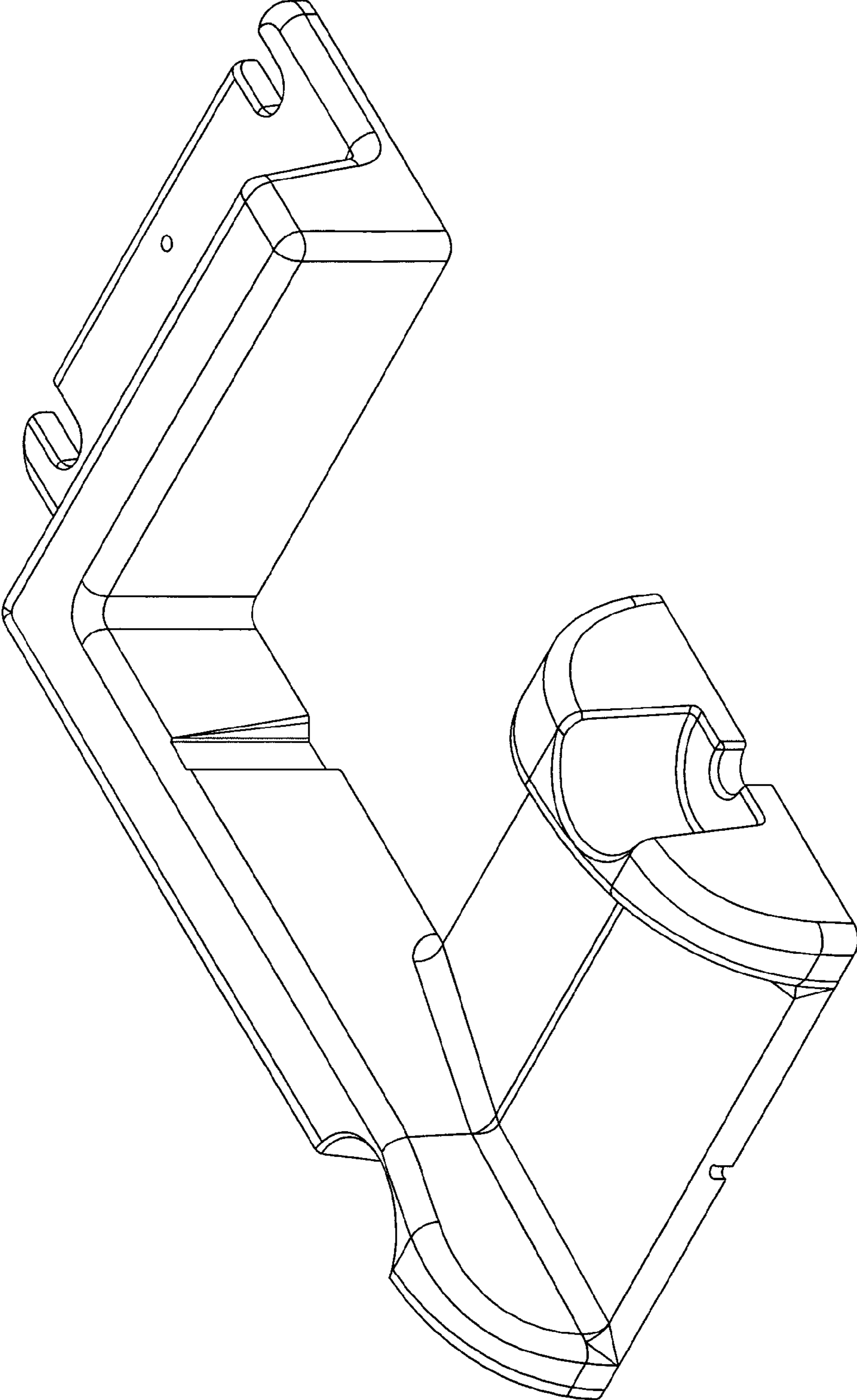


FIG. 1

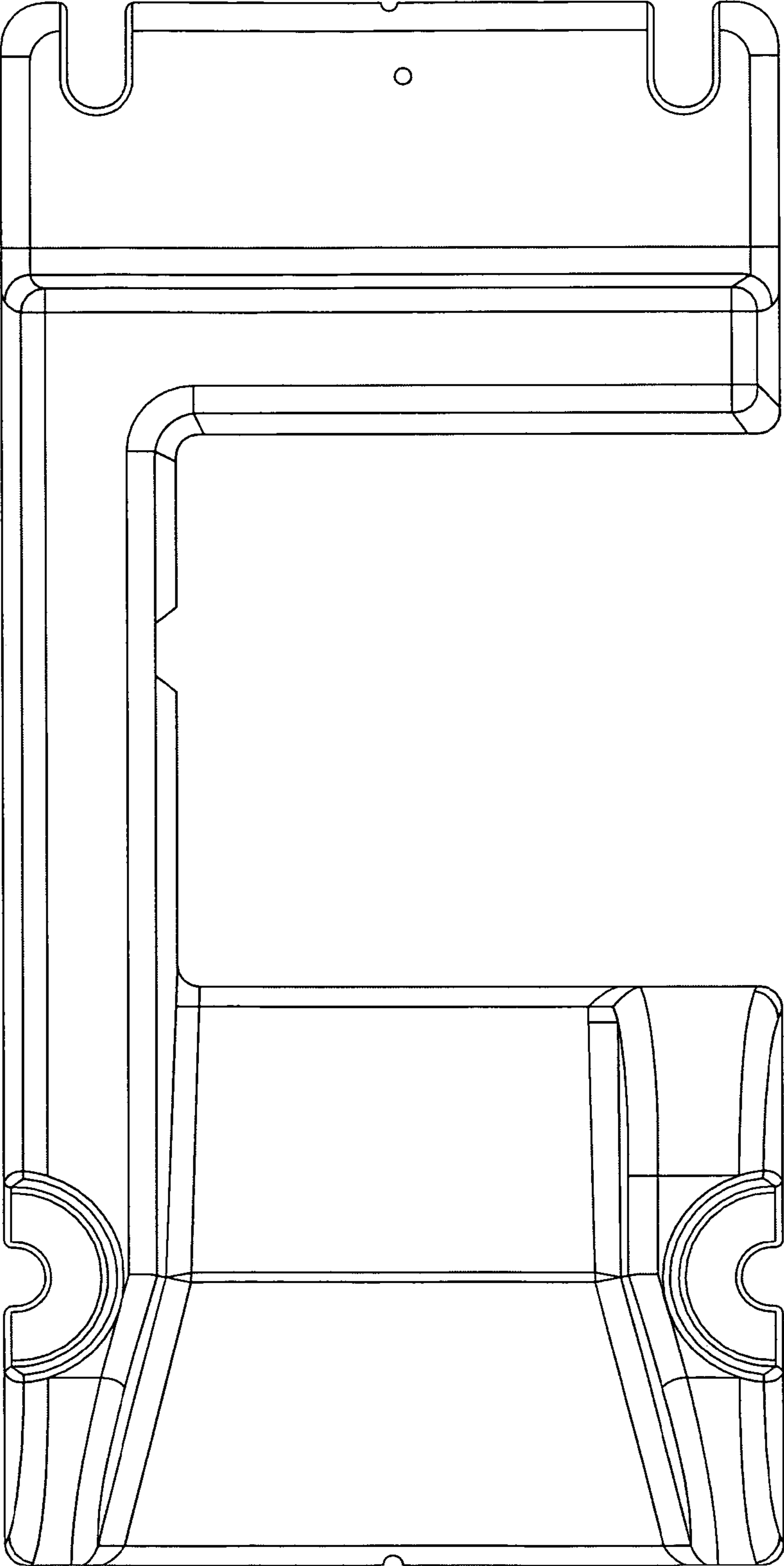


FIG. 2

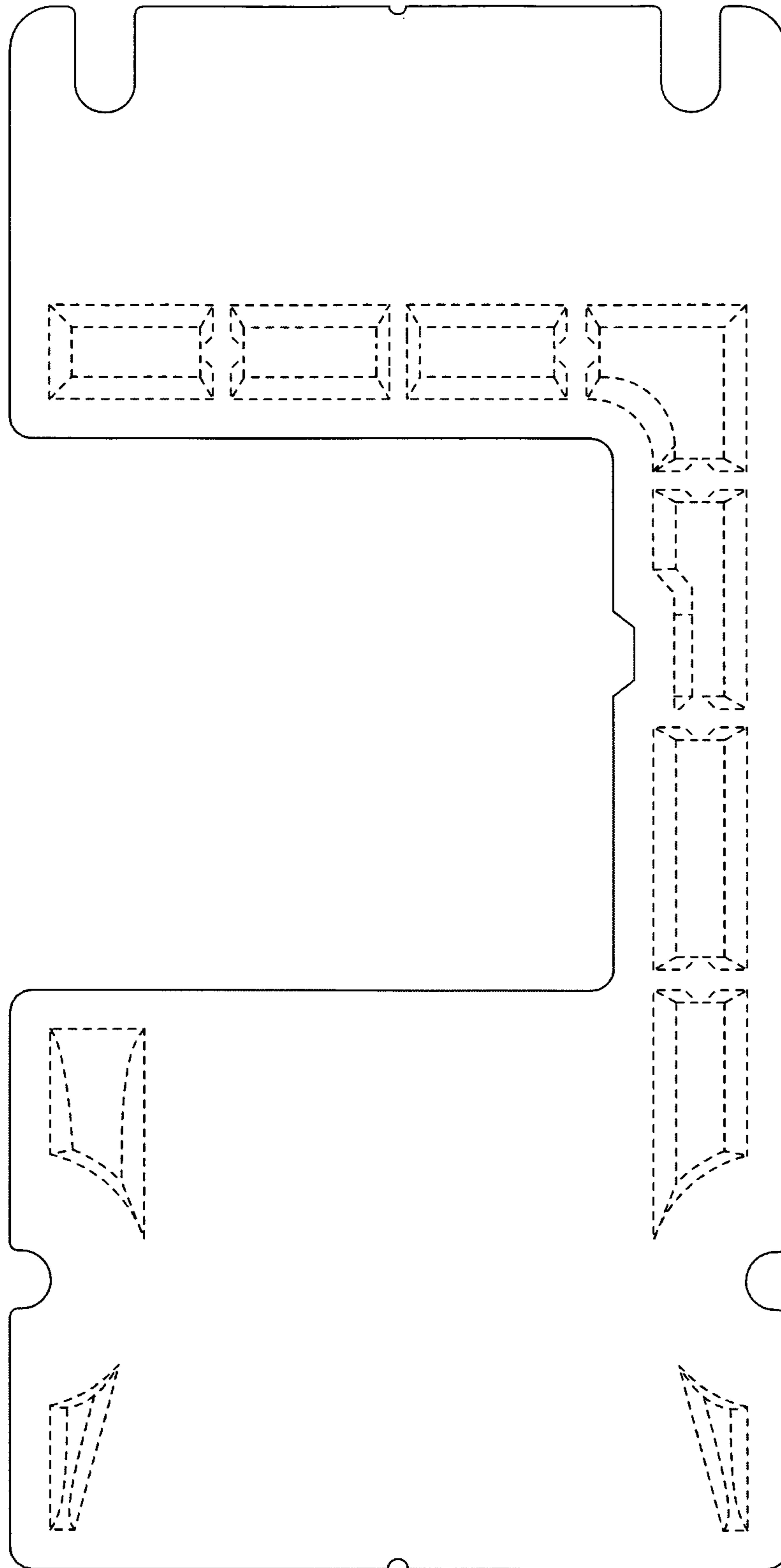


FIG. 3

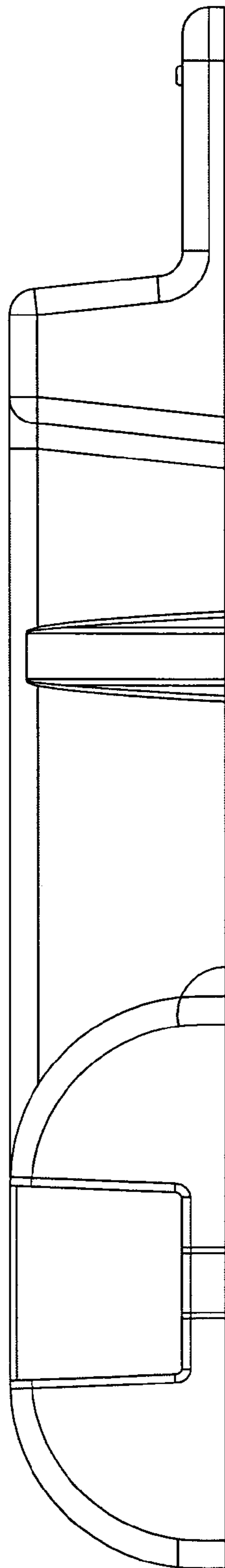


FIG. 4

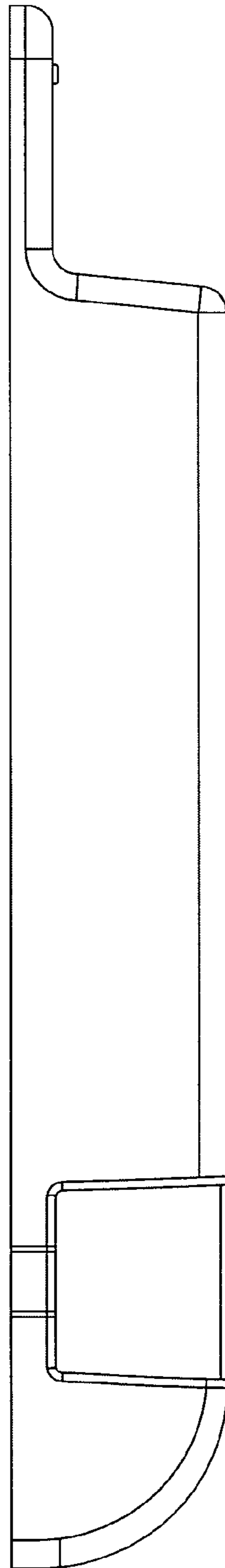


FIG. 5

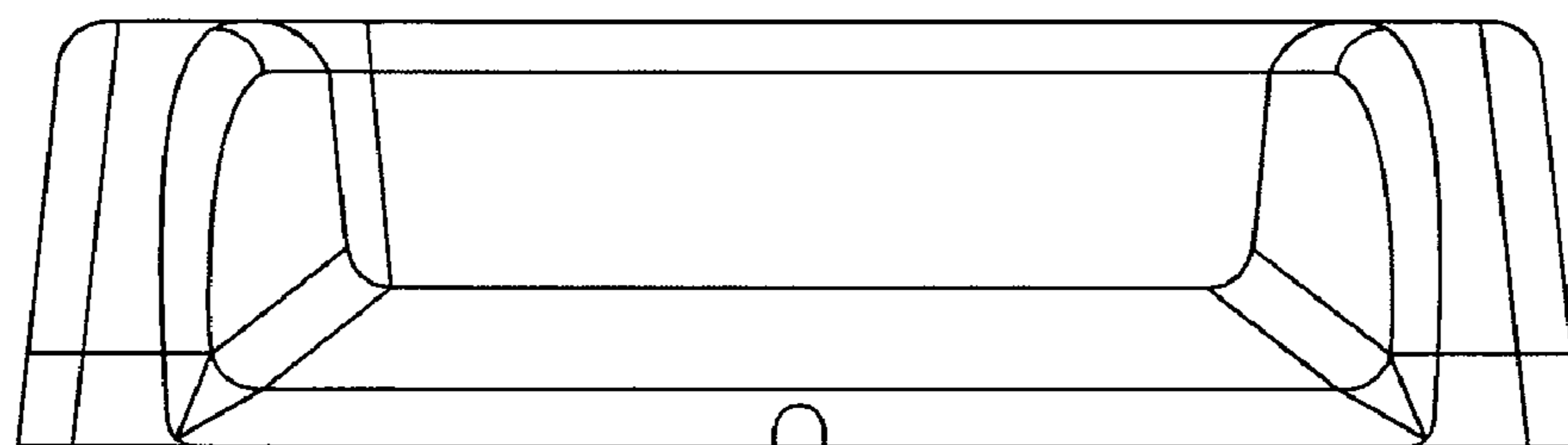


FIG. 6

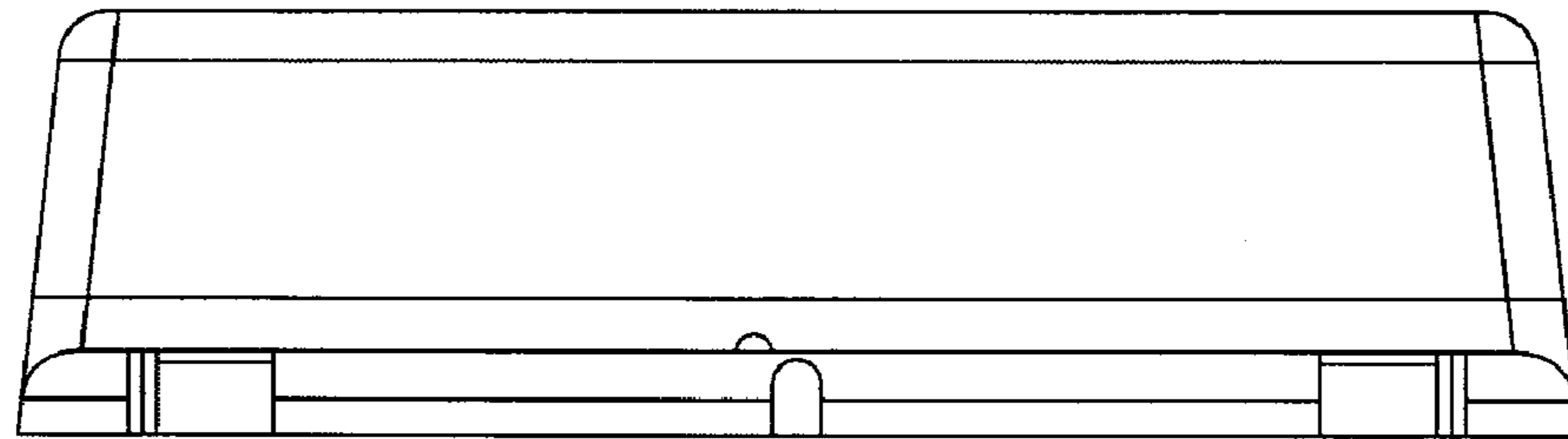


FIG. 7