

US00D655665S

(12) **United States Design Patent**
Zhao

(10) **Patent No.:** **US D655,665 S**
(45) **Date of Patent:** **** Mar. 13, 2012**

(54) **AUTOMOBILE WHEEL**

(75) **Inventor:** **John Zhao**, Monterey Park, CA (US)

(73) **Assignee:** **Wah Hung International Machinery Inc.**, Monterey Park, CA (US)

(**) **Term:** **14 Years**

(21) **Appl. No.:** **29/402,726**

(22) **Filed:** **Sep. 26, 2011**

(51) **LOC (9) Cl.** **12-16**

(52) **U.S. Cl.** **D12/211**

(58) **Field of Classification Search** D12/204-213;
301/37.101, 64.101, 65, 64.201

See application file for complete search history.

(56) **References Cited**

U.S. PATENT DOCUMENTS

D416,849 S * 11/1999 Weidhase D12/211
(Continued)

Primary Examiner — Stacia Cadmus

(74) *Attorney, Agent, or Firm* — Dariush G. Adli; Adli Law Group P.C.

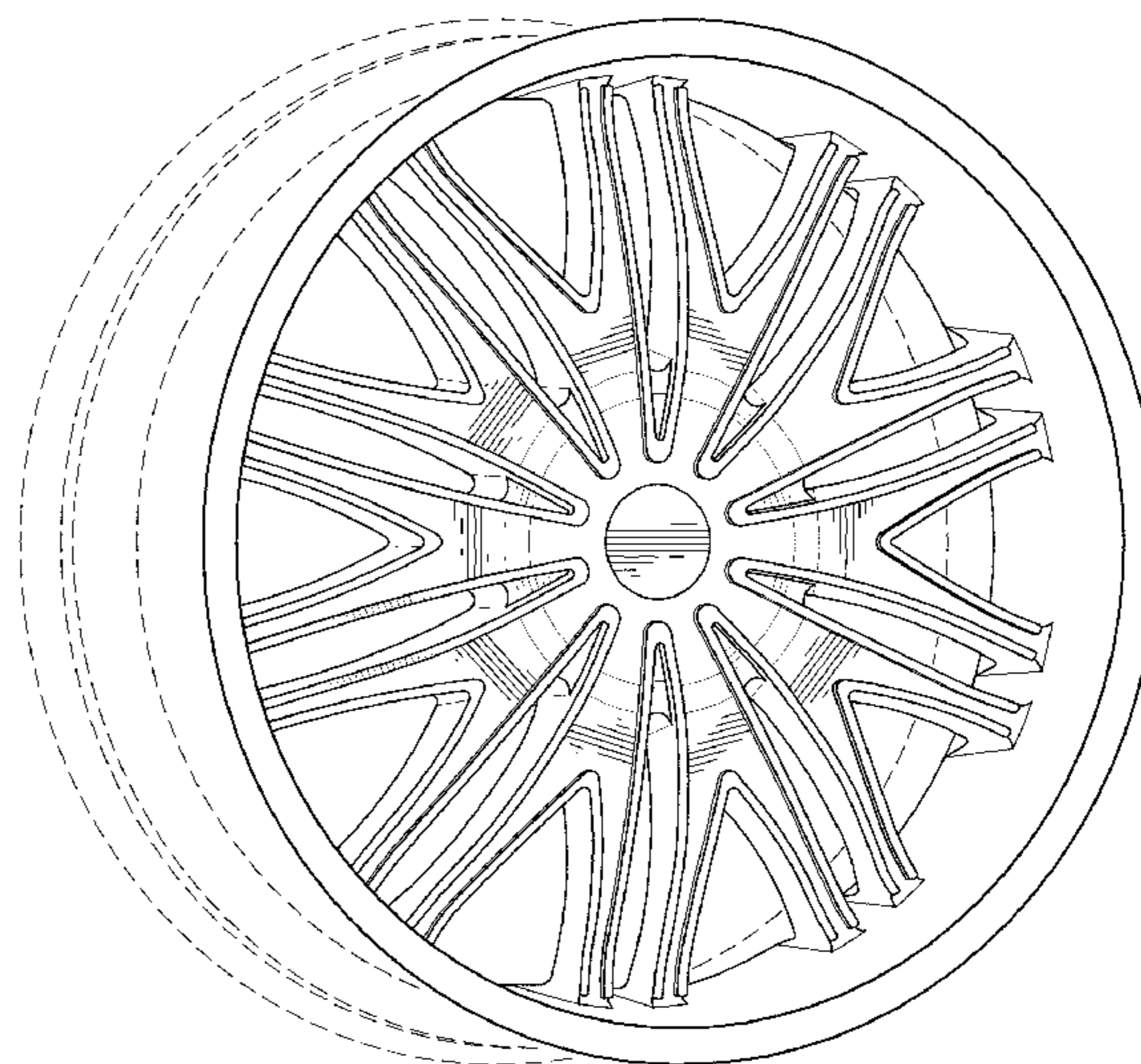
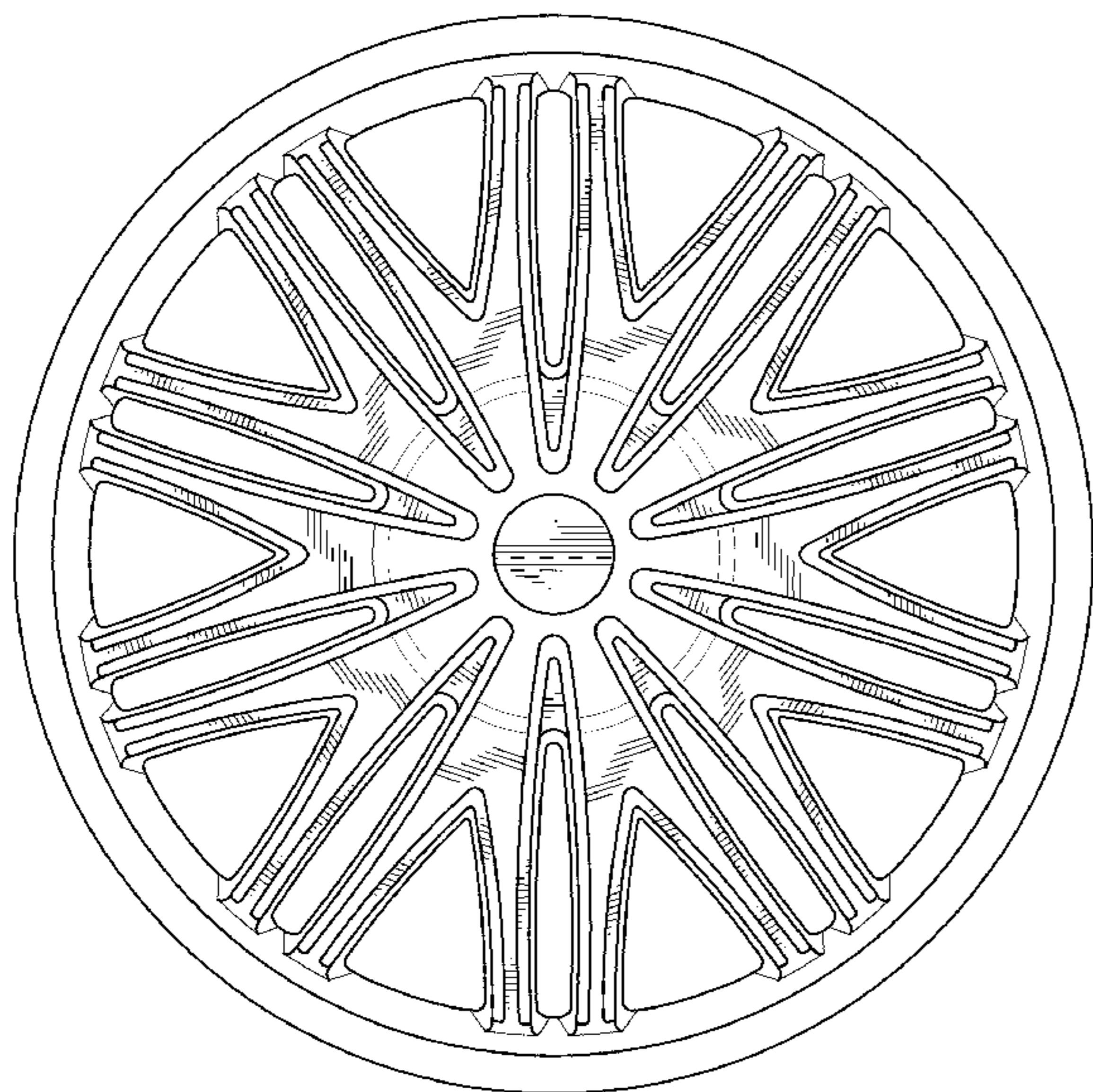
(57) **CLAIM**

The ornamental design for an automobile wheel, as shown and described.

DESCRIPTION

FIG. 1 is a front elevational view of an automobile wheel, showing my new design; and, FIG. 2 is perspective view thereof. The broken line showing of the rear of the rim is included for the purpose of illustrating environment and forms no part of the claimed design.

1 Claim, 2 Drawing Sheets



US D655,665 S

Page 2

U.S. PATENT DOCUMENTS

D496,320 S *	9/2004	Cheng	D12/211	D617,252 S *	6/2010	Zhao	D12/211
D497,583 S *	10/2004	Walbey, Jr.	D12/209	D622,201 S *	8/2010	Zhao	D12/211
D500,726 S *	1/2005	Hettler	D12/211	D625,245 S *	10/2010	Hans et al.	D12/211
D548,166 S *	8/2007	Young	D12/211	D630,992 S *	1/2011	Cortes	D12/211
D591,661 S *	5/2009	Baum	D12/209	D635,081 S *	3/2011	Tirado	D12/211
D616,801 S *	6/2010	Zhao	D12/211	D638,339 S *	5/2011	Tirado	D12/209

* cited by examiner

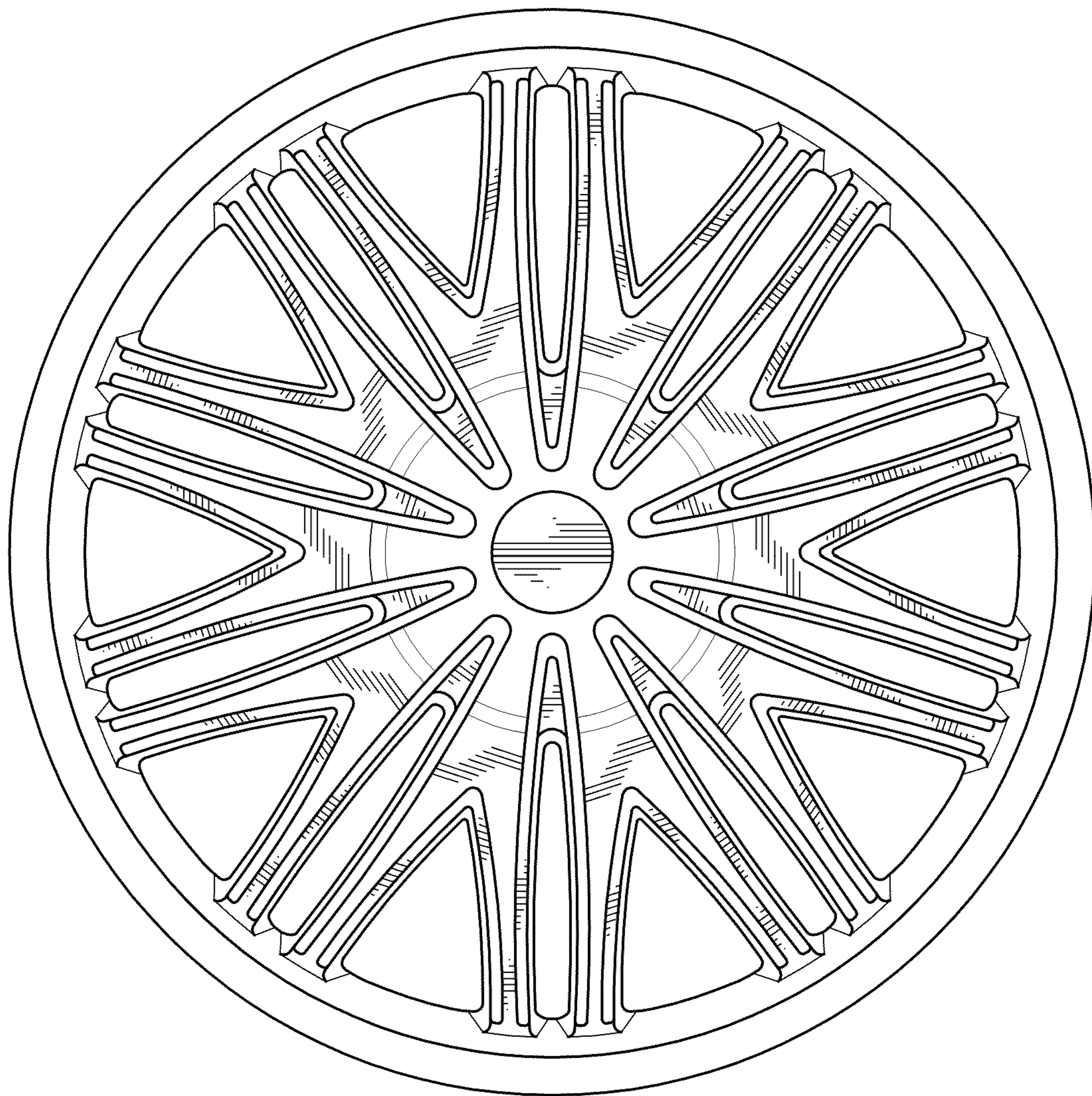


FIG. 1

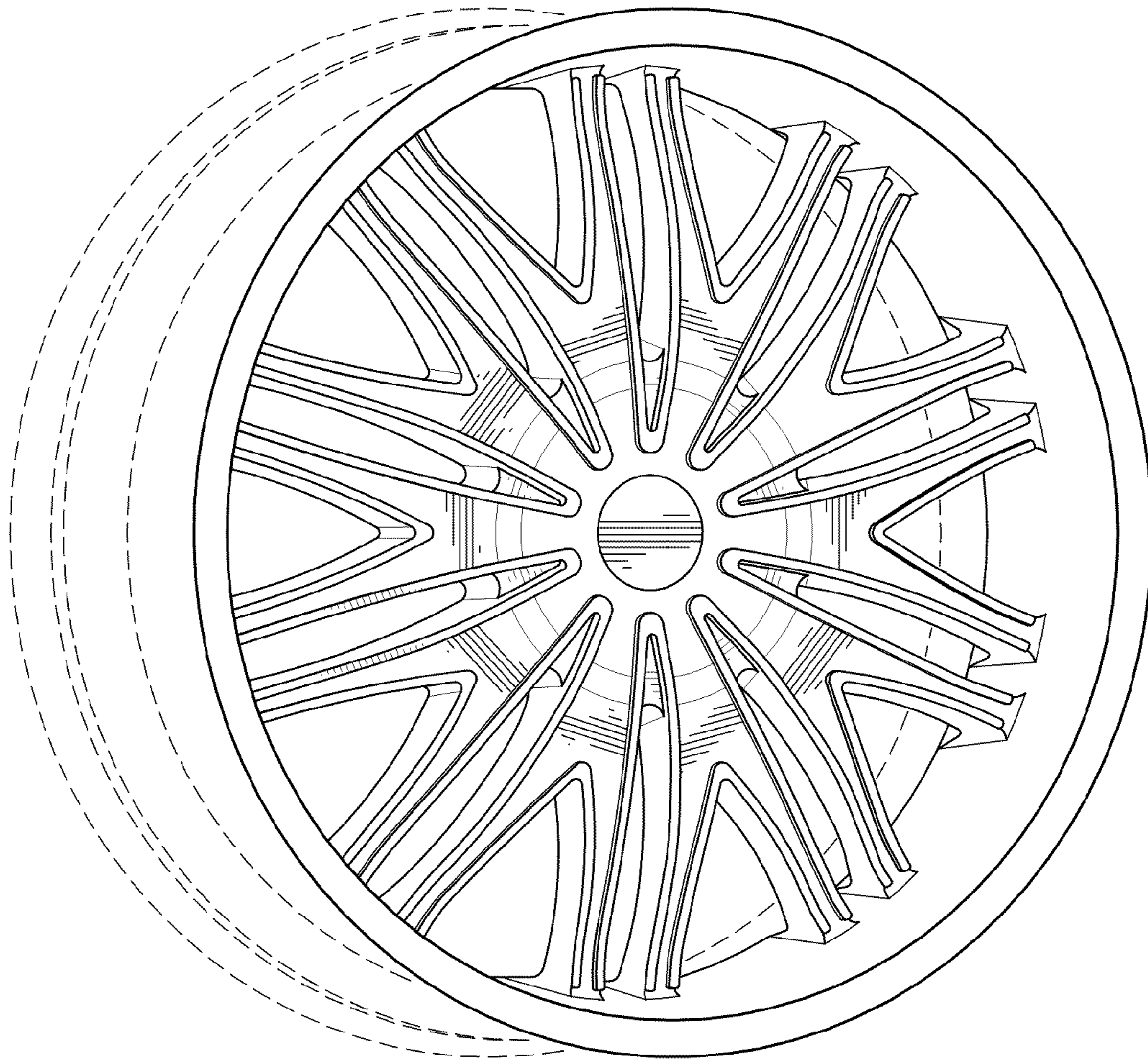


FIG. 2