



US00D655664S

(12) **United States Design Patent**
Zhao

(10) **Patent No.:** **US D655,664 S**
(45) **Date of Patent:** **** Mar. 13, 2012**

(54) **AUTOMOBILE WHEEL**

(75) Inventor: **John Zhao**, Monterey Park, CA (US)

(73) Assignee: **Wah Hung International Machinery Inc.**, Monterey Park, CA (US)

(**) Term: **14 Years**

(21) Appl. No.: **29/402,722**

(22) Filed: **Sep. 26, 2011**

(51) **LOC (9) Cl.** **12-16**

(52) **U.S. Cl.** **D12/211**

(58) **Field of Classification Search** D12/204–213;
301/37.101, 64.101, 65, 64.201

See application file for complete search history.

(56) **References Cited**

U.S. PATENT DOCUMENTS

D593,476 S *	6/2009	Juergens et al.	D12/211
D617,249 S *	6/2010	Juergens et al.	D12/211
D617,717 S *	6/2010	Nordmann	D12/211
D619,071 S *	7/2010	Christensen et al.	D12/211
D620,871 S *	8/2010	Juergens et al.	D12/211

D622,197 S *	8/2010	Zhao	D12/209
D626,488 S *	11/2010	Yoon	D12/211
D628,948 S *	12/2010	Chung	D12/211
D634,692 S *	3/2011	Stefanov	D12/211
D637,947 S *	5/2011	Zhao	D12/211
D639,225 S *	6/2011	Forschner	D12/211

* cited by examiner

Primary Examiner — Stacia Cadmus

(74) *Attorney, Agent, or Firm* — Dariush G. Adli; Adli Law Group P.C.

(57) **CLAIM**

The ornamental design for an automobile wheel, as shown and described.

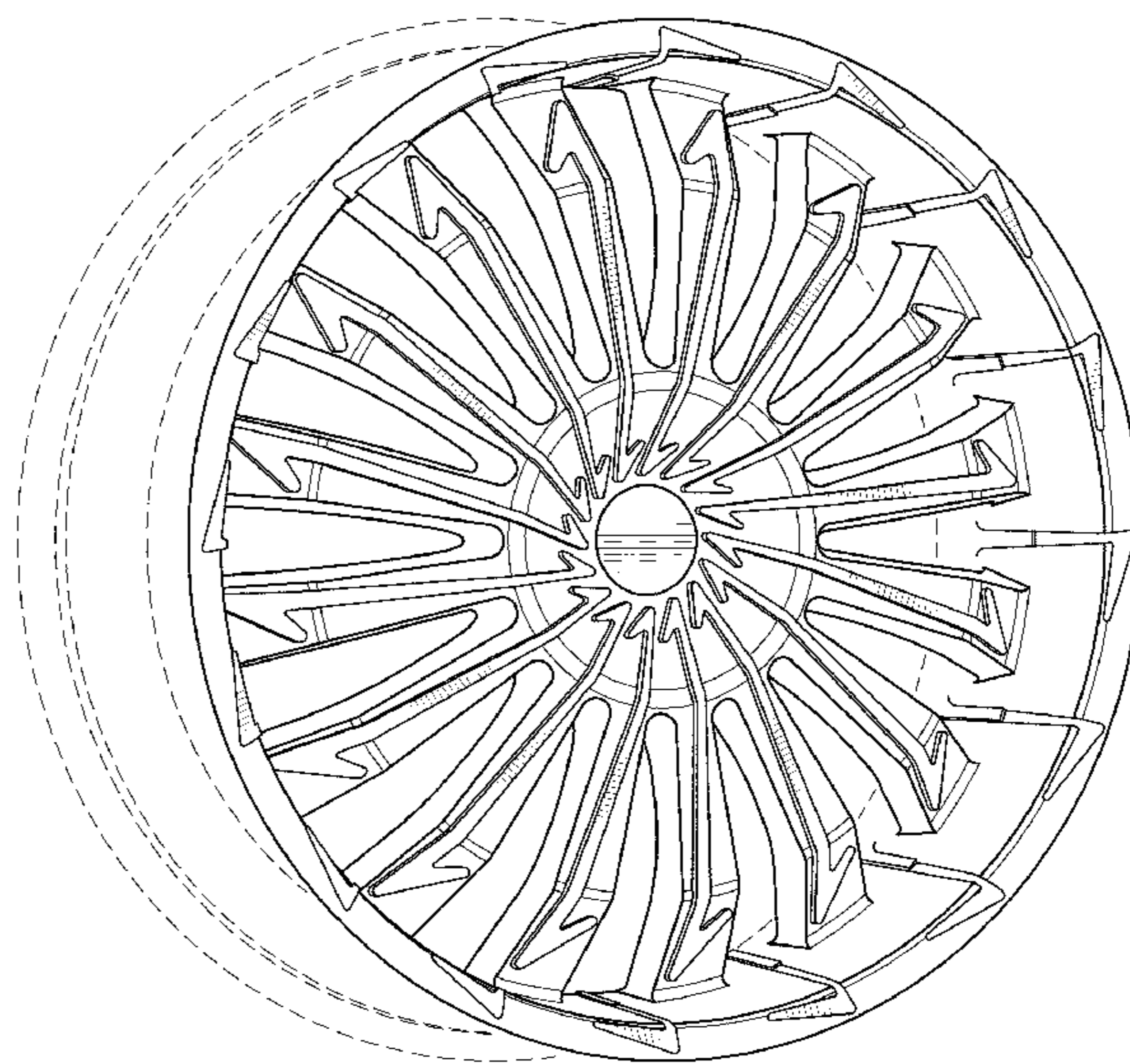
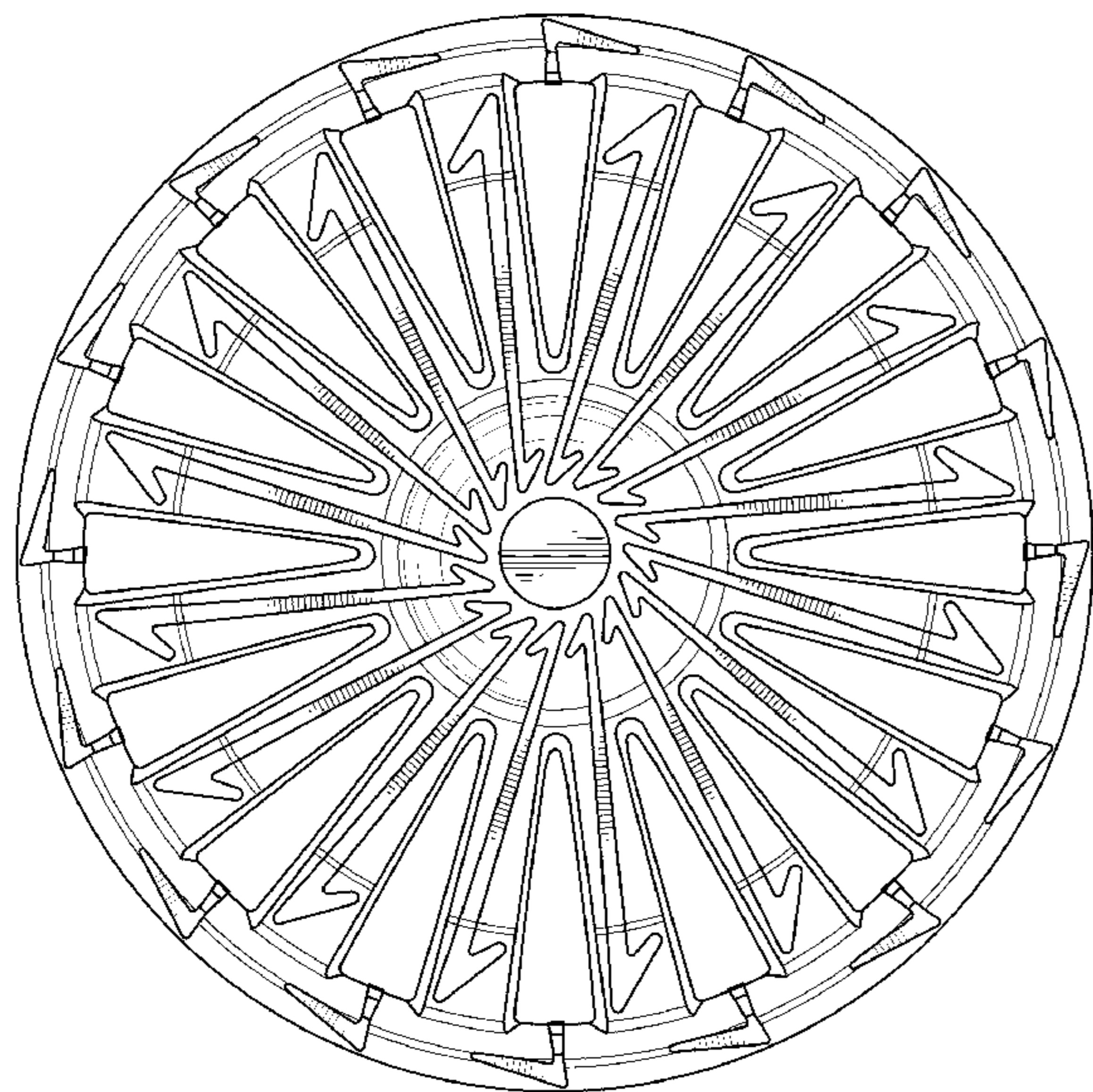
DESCRIPTION

FIG. 1 is a front elevational view of an automobile wheel, showing my new design; and,

FIG. 2 is perspective view thereof.

The broken line showing of the rear of the rim is included for the purpose of illustrating environment and forms no part of the claimed design.

1 Claim, 2 Drawing Sheets



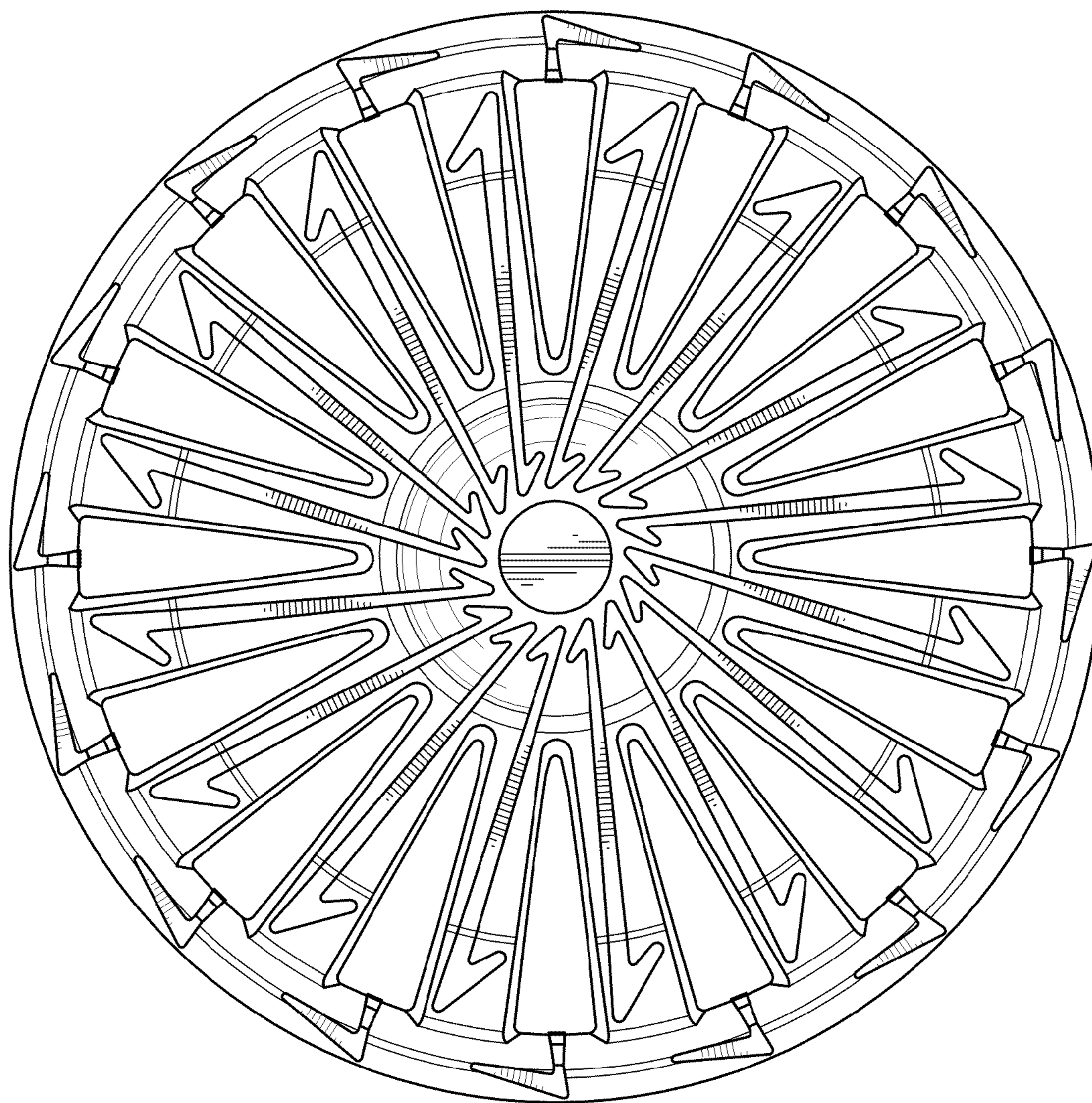


FIG. 1

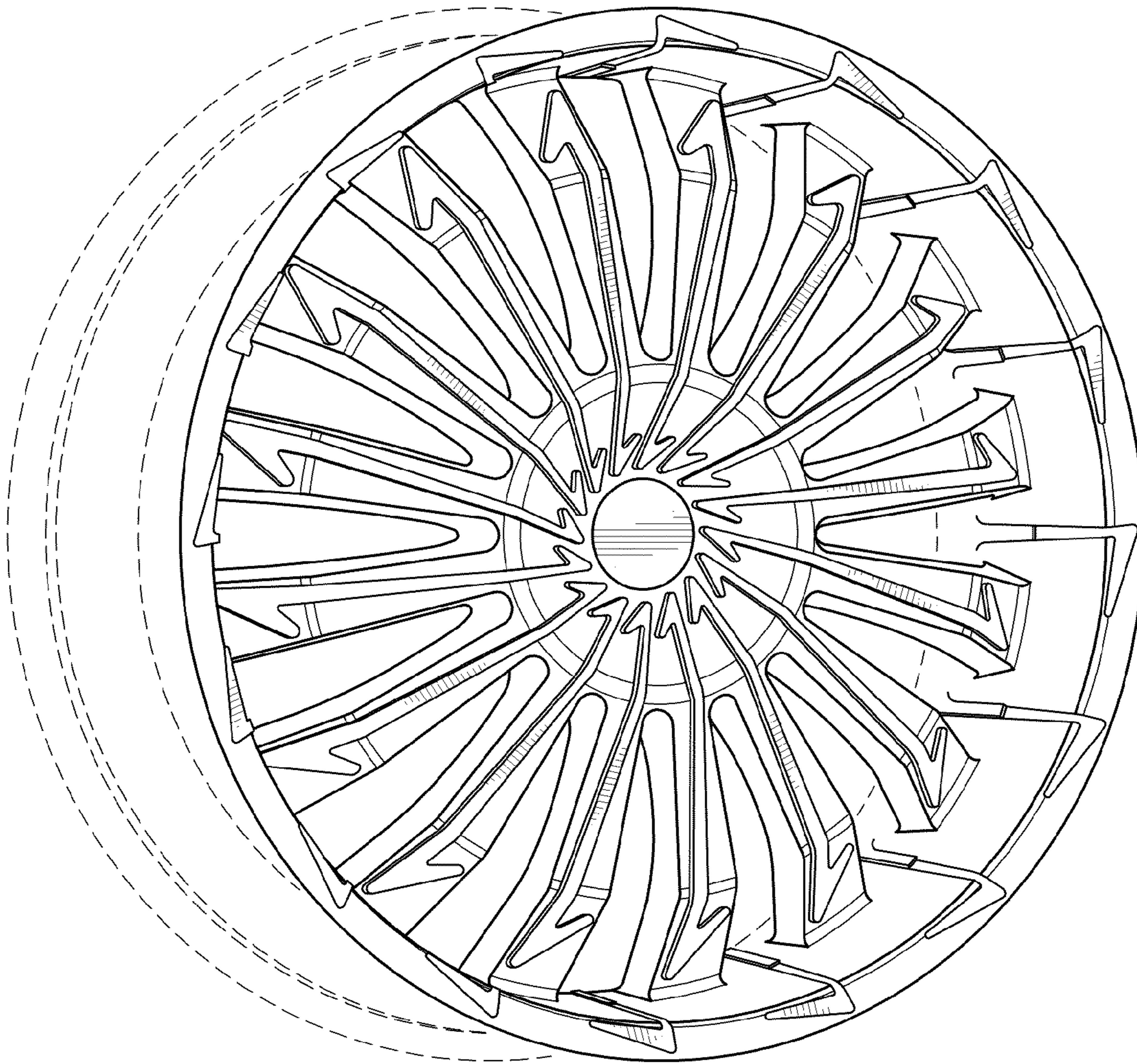


FIG. 2