



US00D655663S

(12) **United States Design Patent**  
**Zhao**

(10) **Patent No.:** **US D655,663 S**  
(45) **Date of Patent:** **\*\* Mar. 13, 2012**

(54) **AUTOMOBILE WHEEL**

(75) **Inventor:** **John Zhao**, Monterey Park, CA (US)

(73) **Assignee:** **Wah Hung International Machinery Inc.**, Monterey Park, CA (US)

(\*\*) **Term:** **14 Years**

(21) **Appl. No.:** **29/402,707**

(22) **Filed:** **Sep. 26, 2011**

(51) **LOC (9) Cl.** ..... **12-16**

(52) **U.S. Cl.** ..... **D12/211**

(58) **Field of Classification Search** ..... D12/204-213;  
301/37.101, 64.101, 65, 64.201

See application file for complete search history.

(56) **References Cited**

U.S. PATENT DOCUMENTS

D543,922 S \* 6/2007 Young ..... D12/209  
(Continued)

*Primary Examiner* — Stacia Cadmus

(74) *Attorney, Agent, or Firm* — Dariush G. Adli; Adli Law Group P.C.

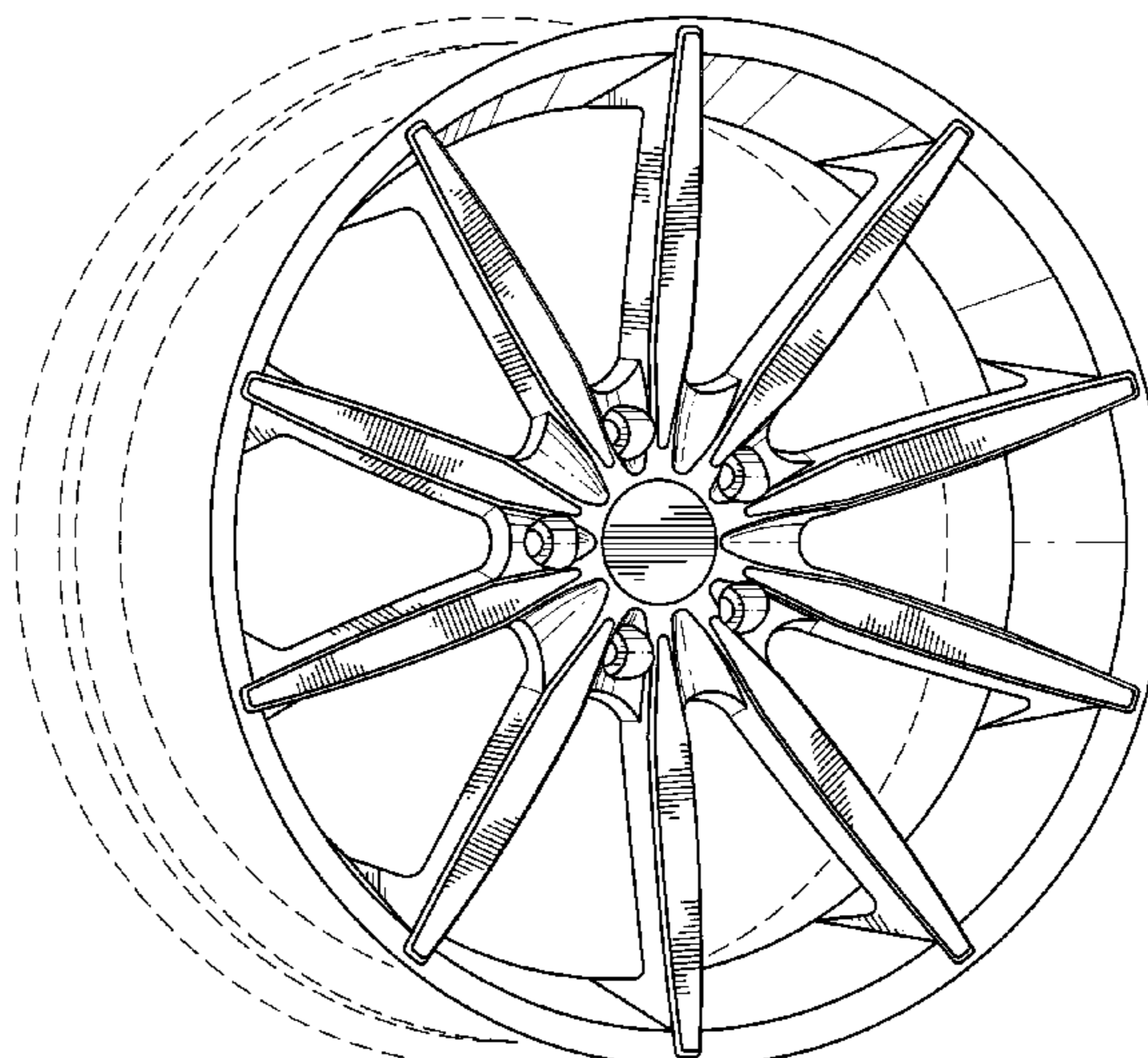
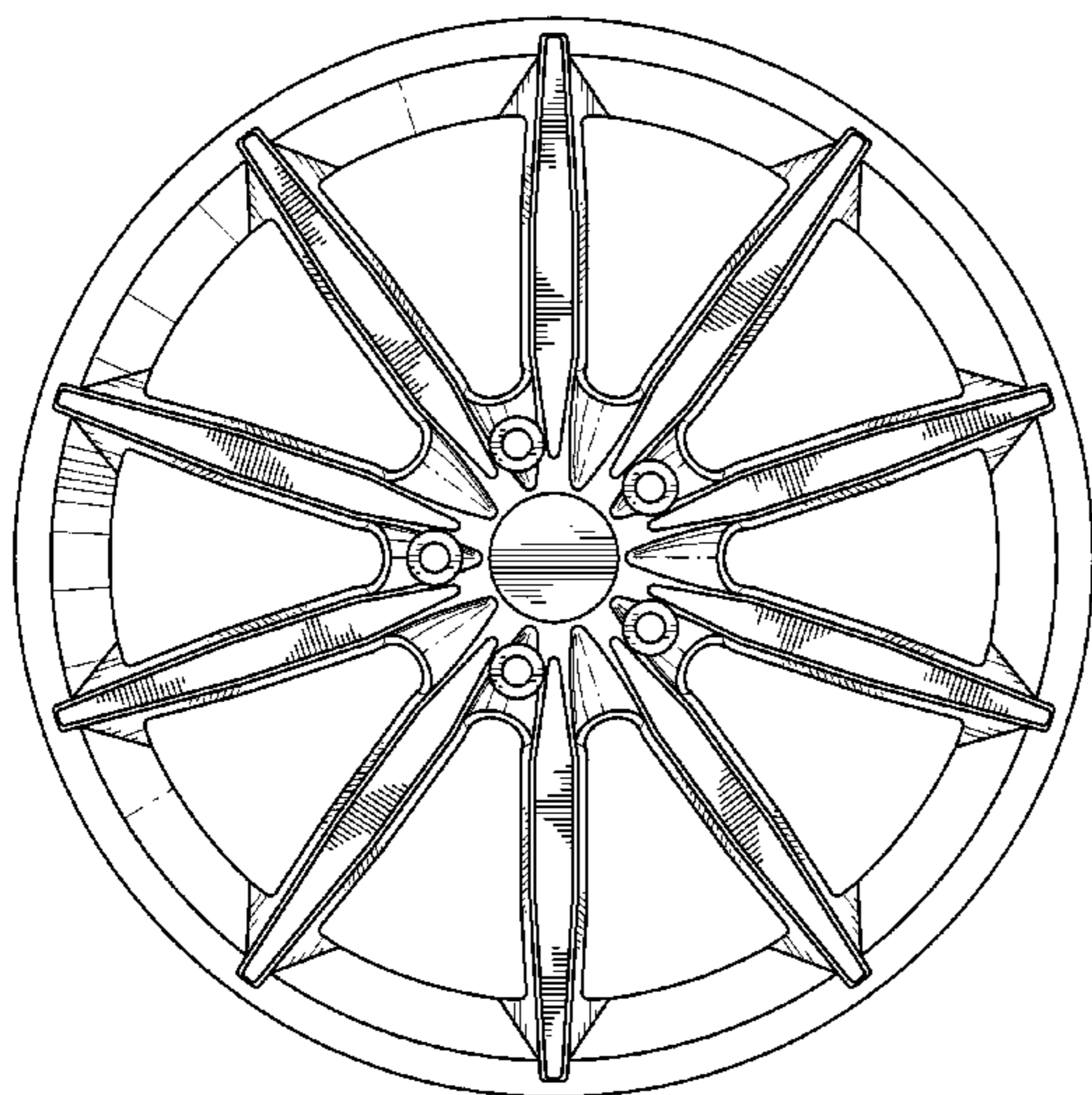
(57) **CLAIM**

The ornamental design for an automobile wheel, as shown and described.

**DESCRIPTION**

FIG. 1 is a front elevational view of an automobile wheel, showing my new design; and, FIG. 2 is perspective view thereof. The broken line showing of the rear of the rim is included for the purpose of illustrating environment and forms no part of the claimed design.

**1 Claim, 2 Drawing Sheets**



# US D655,663 S

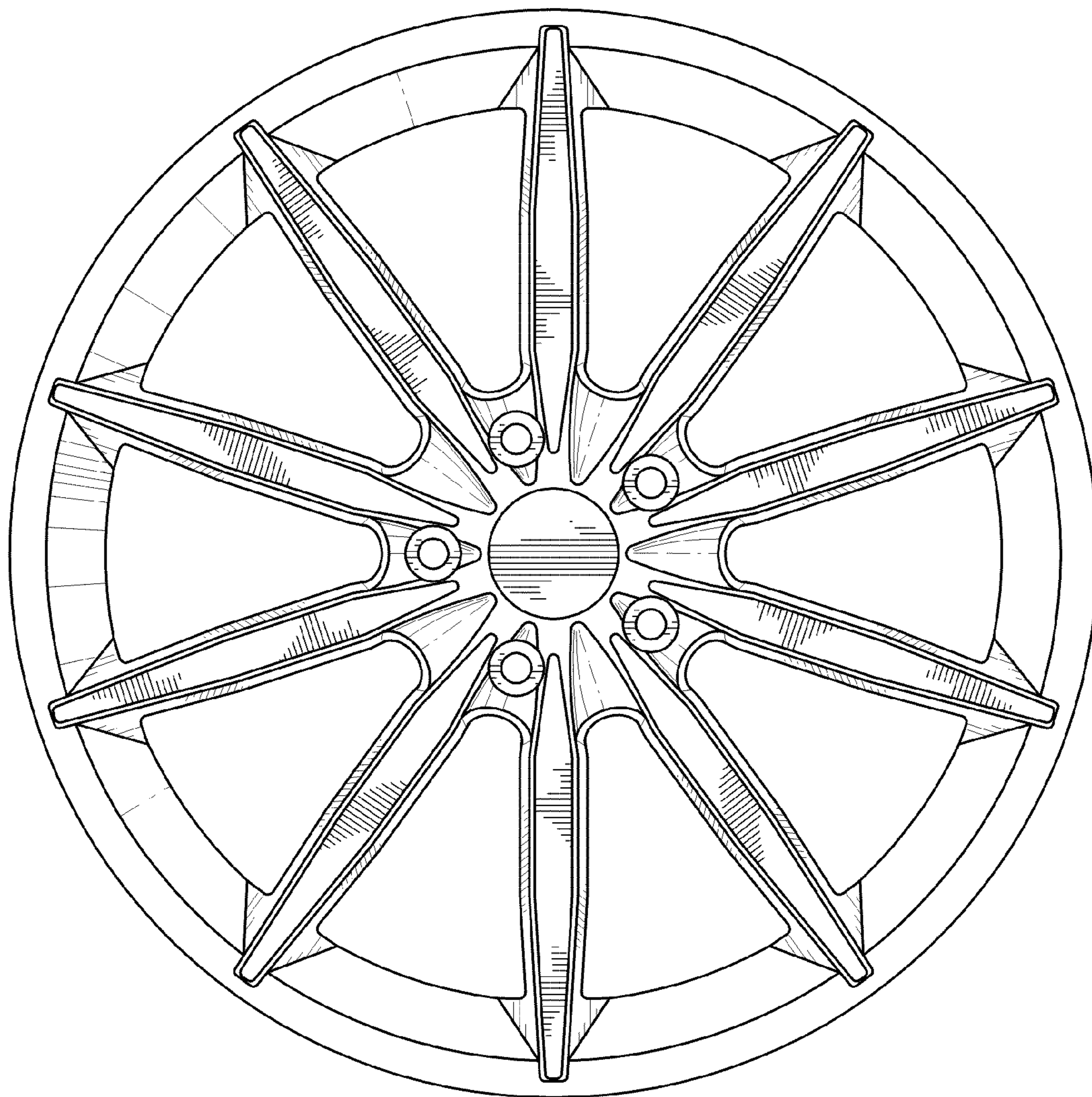
Page 2

---

## U.S. PATENT DOCUMENTS

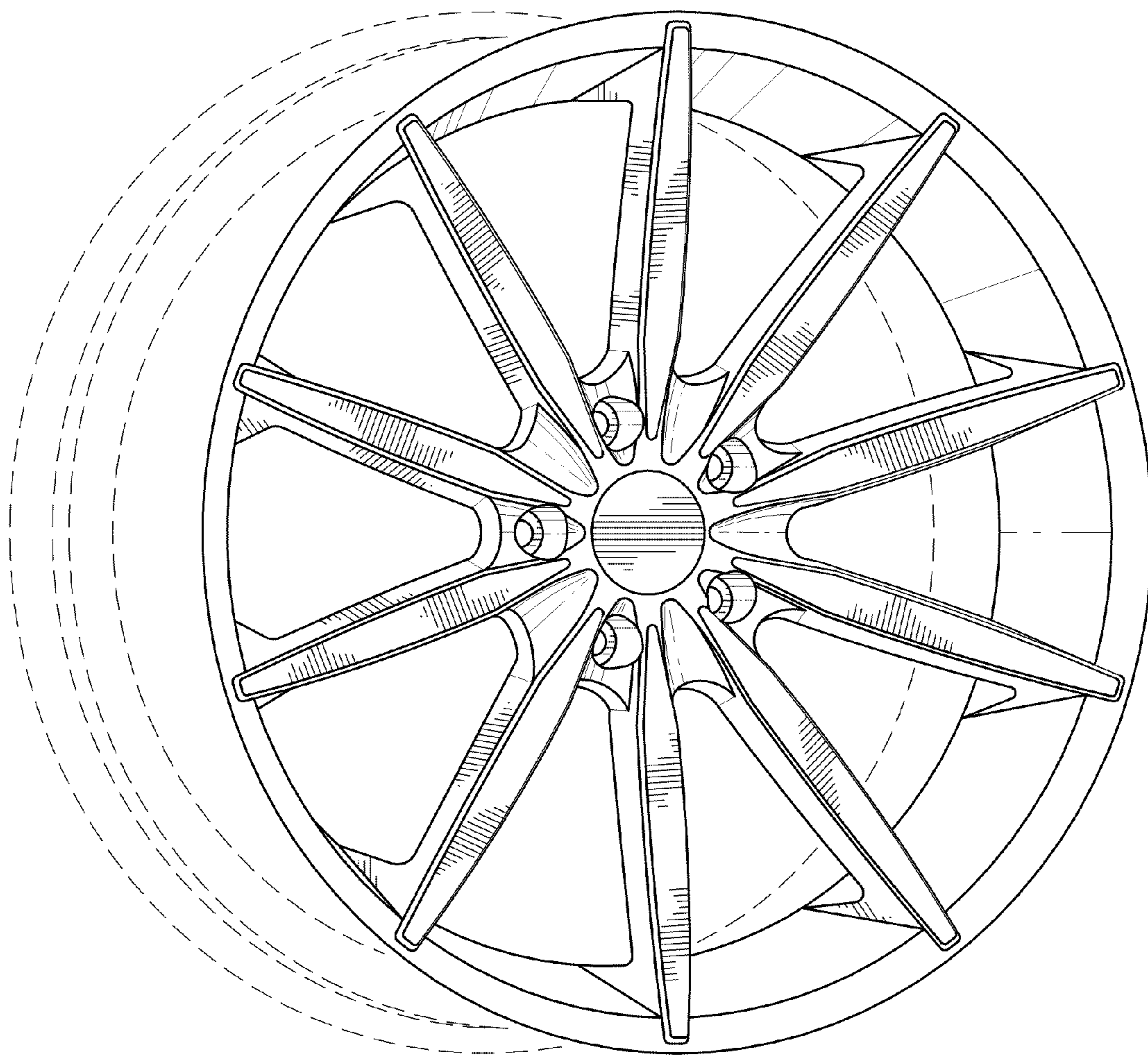
D593,474 S *	6/2009	Flueckiger .....	D12/209	D623,111 S *	9/2010	Spoerle .....	D12/211
D596,548 S *	7/2009	Gallert .....	D12/211	D632,239 S *	2/2011	Gallert .....	D12/211
D599,268 S *	9/2009	Bernoni .....	D12/211	D638,765 S *	5/2011	Yoon .....	D12/211
D609,624 S *	2/2010	Matsubara .....	D12/211	D638,766 S *	5/2011	Hilpert .....	D12/211

\* cited by examiner



*FIG. 1*





*FIG. 2*