



US00D655662S

(12) **United States Design Patent**
Stucki

(10) **Patent No.:** **US D655,662 S**
(45) **Date of Patent:** **** Mar. 13, 2012**

(54) **WHEEL OR WHEEL COVER**

(75) Inventor: **Erika Miranda Stucki**, Stuttgart (DE)

(73) Assignee: **Daimler AG**, Stuttgart (DE)

(**) Term: **14 Years**

(21) Appl. No.: **29/399,749**

(22) Filed: **Aug. 18, 2011**

(30) **Foreign Application Priority Data**

Feb. 22, 2011 (EM) 001824616-0002

(51) **LOC (9) Cl.** **12-16**

(52) **U.S. Cl.** **D12/211**

(58) **Field of Classification Search** D12/204-213;
301/37.101, 64.101, 65, 64.201

See application file for complete search history.

(56) **References Cited**

U.S. PATENT DOCUMENTS

D294,821 S *	3/1988	Danbom	D12/211
D352,492 S *	11/1994	Boyer	D12/211
D436,911 S *	1/2001	Chung	D12/211
D464,009 S *	10/2002	Laengerer	D12/211

D516,493 S *	3/2006	Frizzi	D12/211
D520,931 S *	5/2006	Hieke	D12/211
D525,930 S *	8/2006	Matsumoto	D12/211
D531,952 S *	11/2006	Sands	D12/211
D593,022 S *	5/2009	Forster et al.	D12/211
D593,476 S *	6/2009	Juergens et al.	D12/211
D596,551 S *	7/2009	Futschik et al.	D12/211
D604,684 S *	11/2009	Spoerle	D12/211
D626,488 S *	11/2010	Yoon	D12/211
D634,253 S *	3/2011	Johnson	D12/211

* cited by examiner

Primary Examiner — Stacia Cadmus

(74) *Attorney, Agent, or Firm* — Crowell & Moring LLP

(57) **CLAIM**

The ornamental design for a wheel or wheel cover, as shown and described.

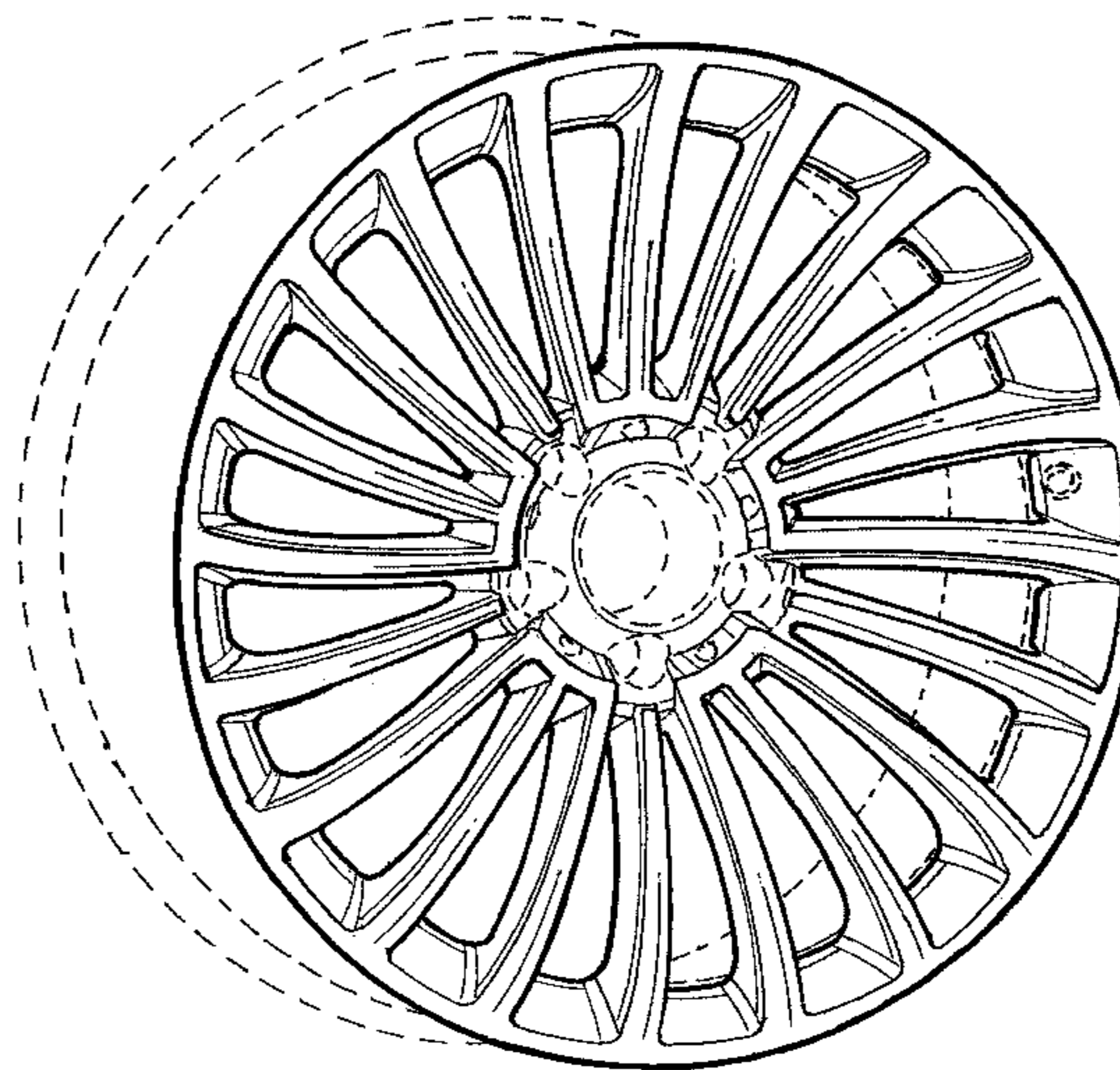
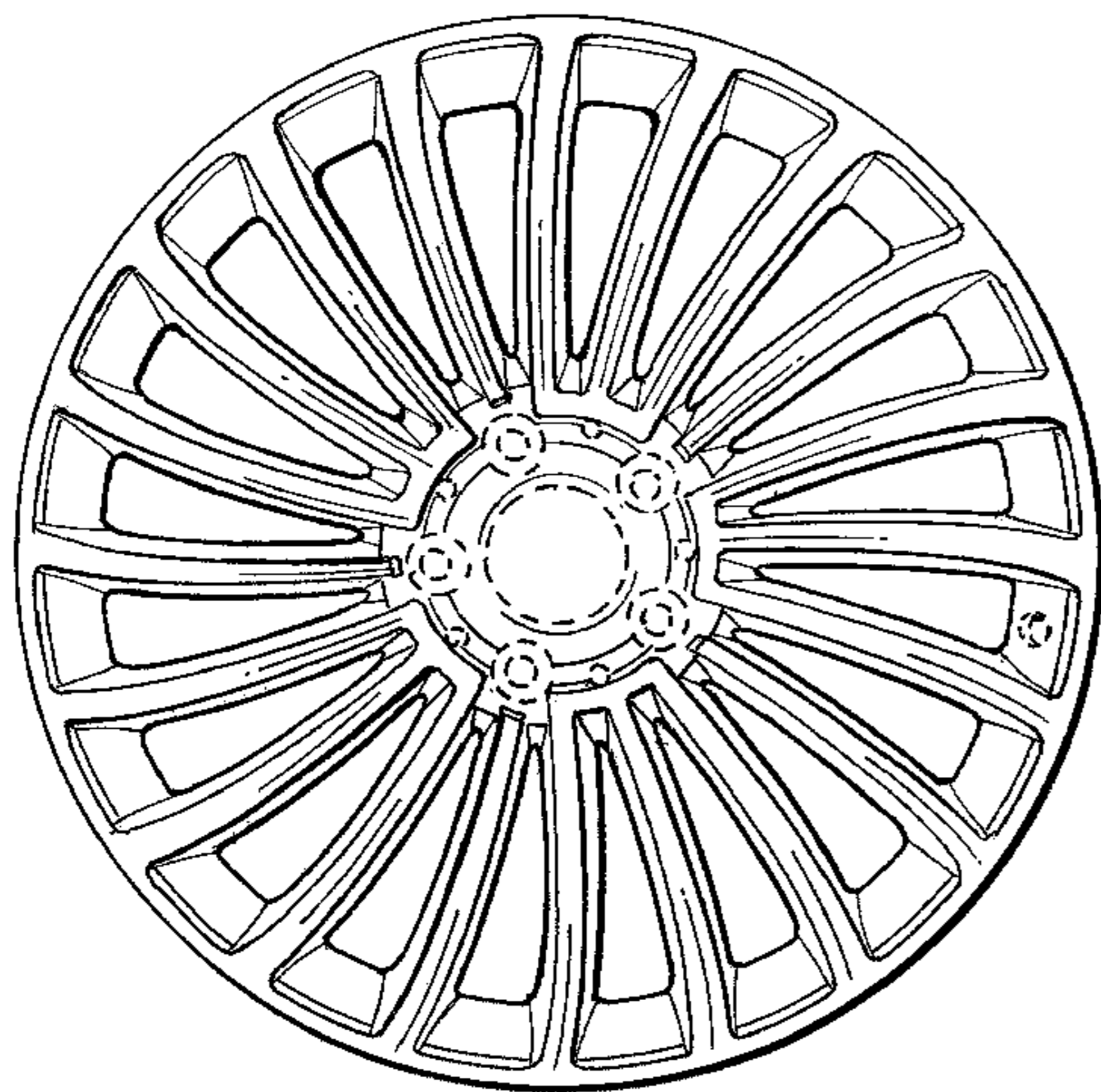
DESCRIPTION

FIG. 1 is a front view of a wheel or wheel cover according to my design; and,

FIG. 2 is a perspective view thereof.

The broken line showing of the rear of the wheel, the valve stem hole, and the bolt holes and the center cap in the central hub area is included for the purpose of illustrating environment and forms no part of the claimed design.

1 Claim, 1 Drawing Sheet



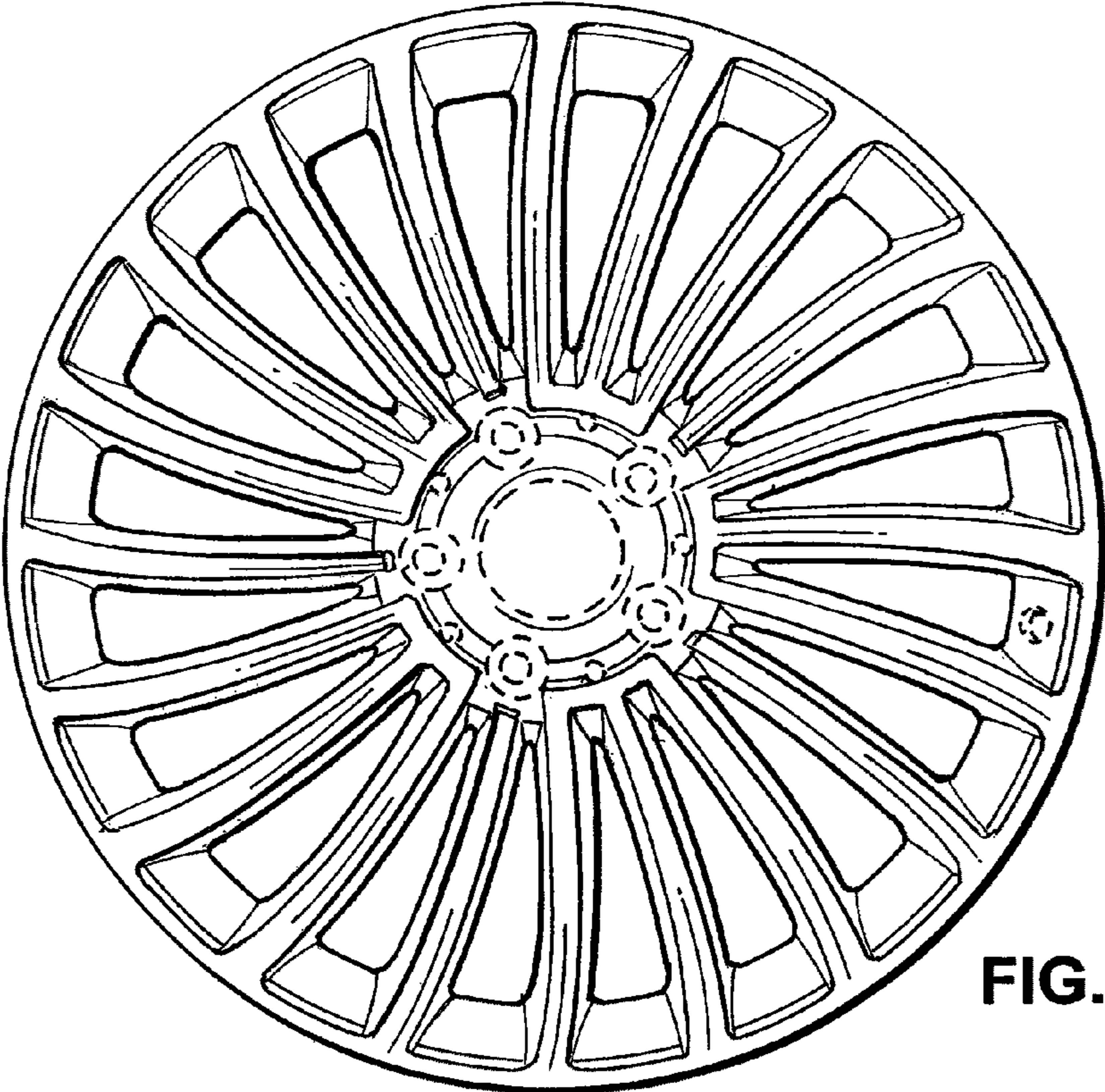


FIG. 1

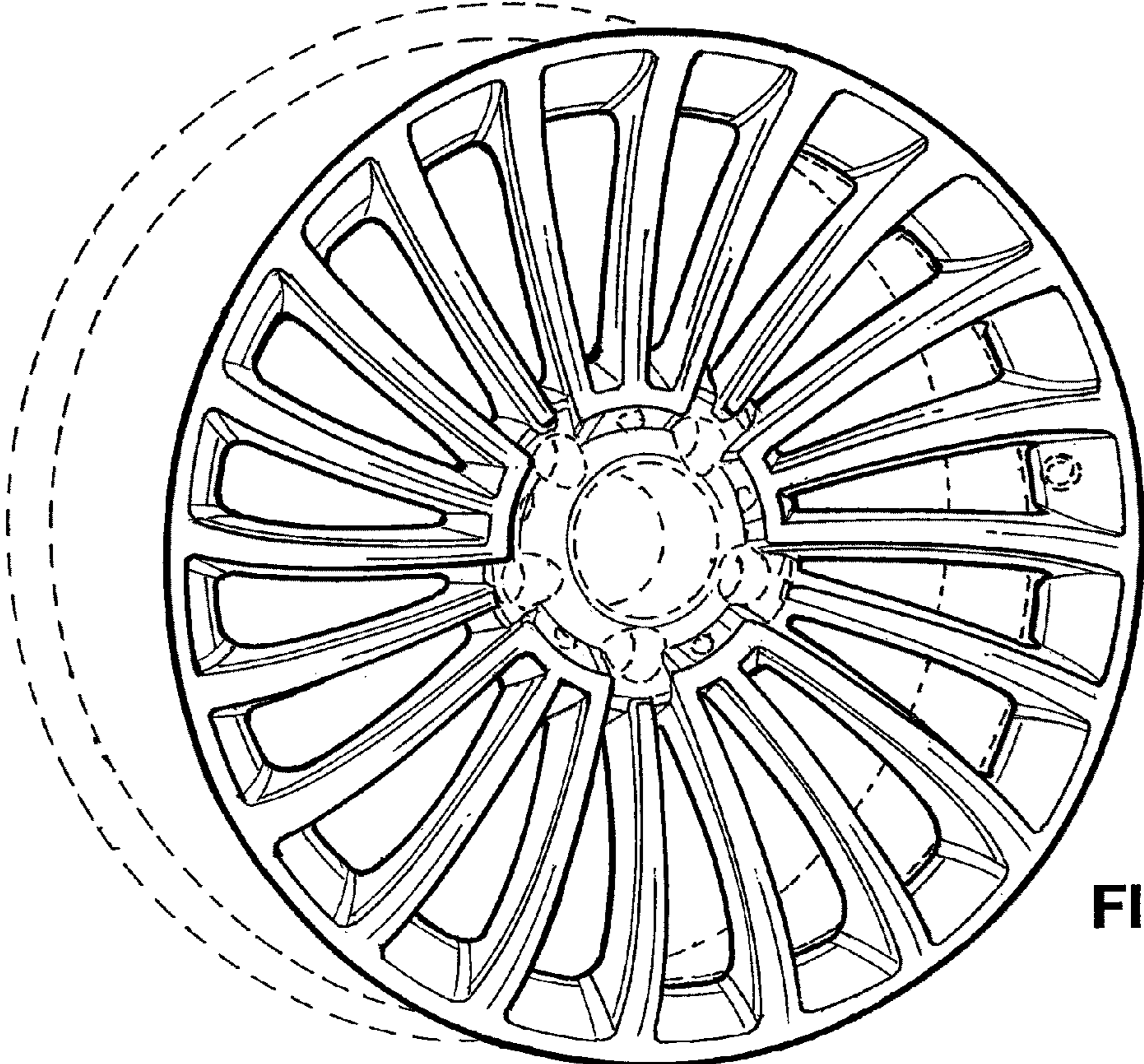


FIG. 2