



US00D655661S

(12) **United States Design Patent**
Truebsbach

(10) **Patent No.:** **US D655,661 S**

(45) **Date of Patent:** **** Mar. 13, 2012**

(54) **WHEEL OR WHEEL COVER**

(75) **Inventor:** **Sebastian Truebsbach**, Andechs (DE)

(73) **Assignee:** **Bayerische Motoren Werke
Aktiengesellschaft**, Munich (DE)

(**) **Term:** **14 Years**

(21) **Appl. No.:** **29/371,359**

(22) **Filed:** **Jan. 14, 2011**

(30) **Foreign Application Priority Data**

Jul. 16, 2010 (DE) 402010003916

(51) **LOC (9) Cl.** **12-16**

(52) **U.S. Cl.** **D12/211**

(58) **Field of Classification Search** D12/204-213;
301/37.101, 64.101, 65, 64.201

See application file for complete search history.

(56) **References Cited**

U.S. PATENT DOCUMENTS

D503,918 S	4/2005	Fahr-Becker	
D515,491 S *	2/2006	Elmitt	D12/209
D531,567 S *	11/2006	Walbey, Jr.	D12/211
D573,083 S *	7/2008	Hetrick	D12/211
D579,399 S *	10/2008	Schweizer	D12/211
D584,674 S *	1/2009	Chung	D12/211
D615,018 S *	5/2010	Truebsbach	D12/211

D619,951 S	7/2010	Baum	
D620,873 S *	8/2010	Groom	D12/211
D621,319 S *	8/2010	Nissl	D12/209
D621,771 S	8/2010	Truebsbach	
D635,078 S *	3/2011	Elmitt	D12/209
D642,967 S *	8/2011	Lamm et al.	D12/209
D643,794 S *	8/2011	Elmitt	D12/211
D644,155 S *	8/2011	Truebsbach	D12/209

FOREIGN PATENT DOCUMENTS

DE	40010998.0	3/2001
EM	000141791-0005	6/2004
EM	000997572-0004	10/2008
EM	001655861-0003	10/2010

* cited by examiner

Primary Examiner — Stacia Cadmus

(74) *Attorney, Agent, or Firm* — Crowell & Moring LLP

(57) **CLAIM**

The ornamental design for a wheel or wheel cover, as shown and described.

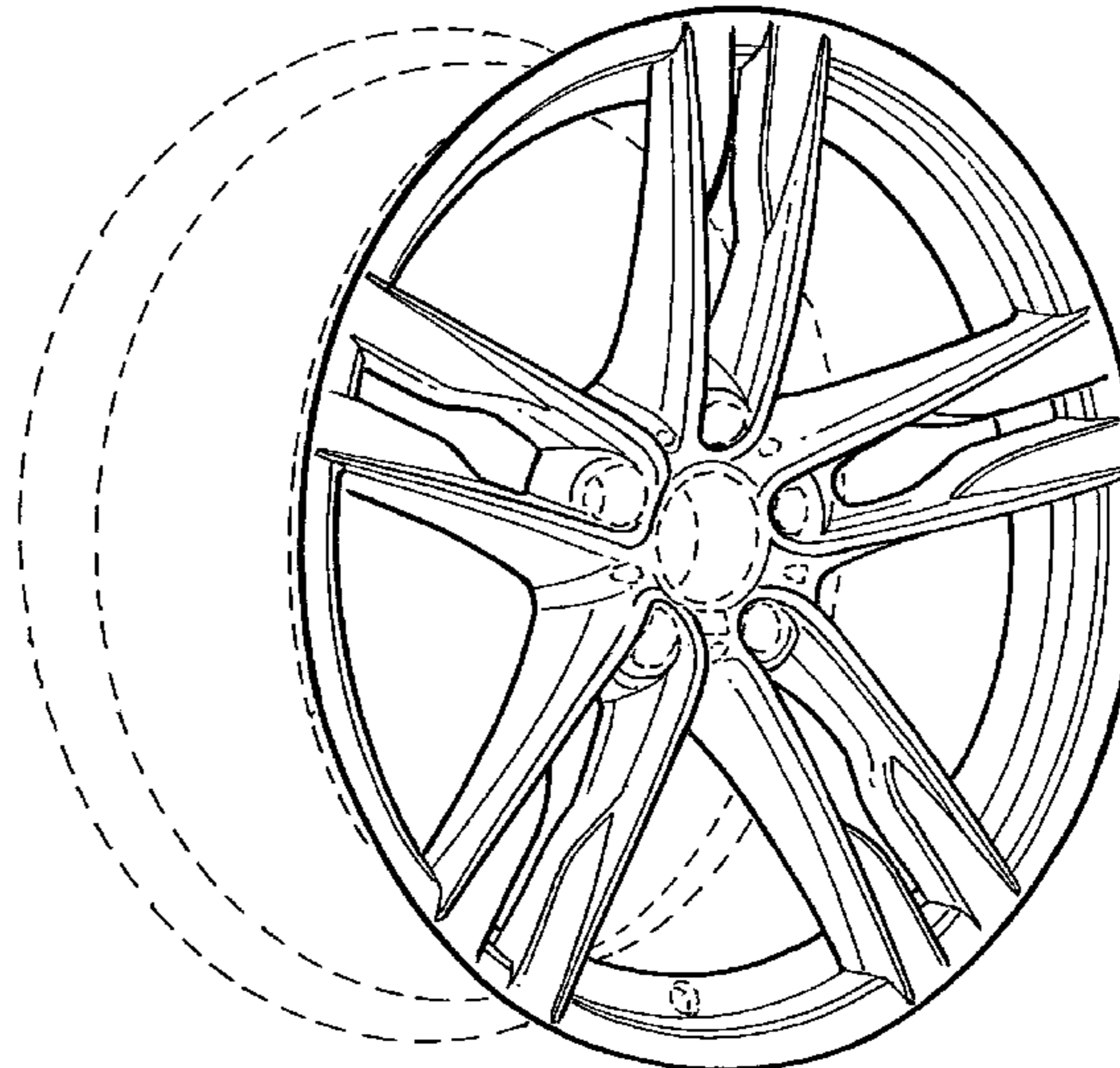
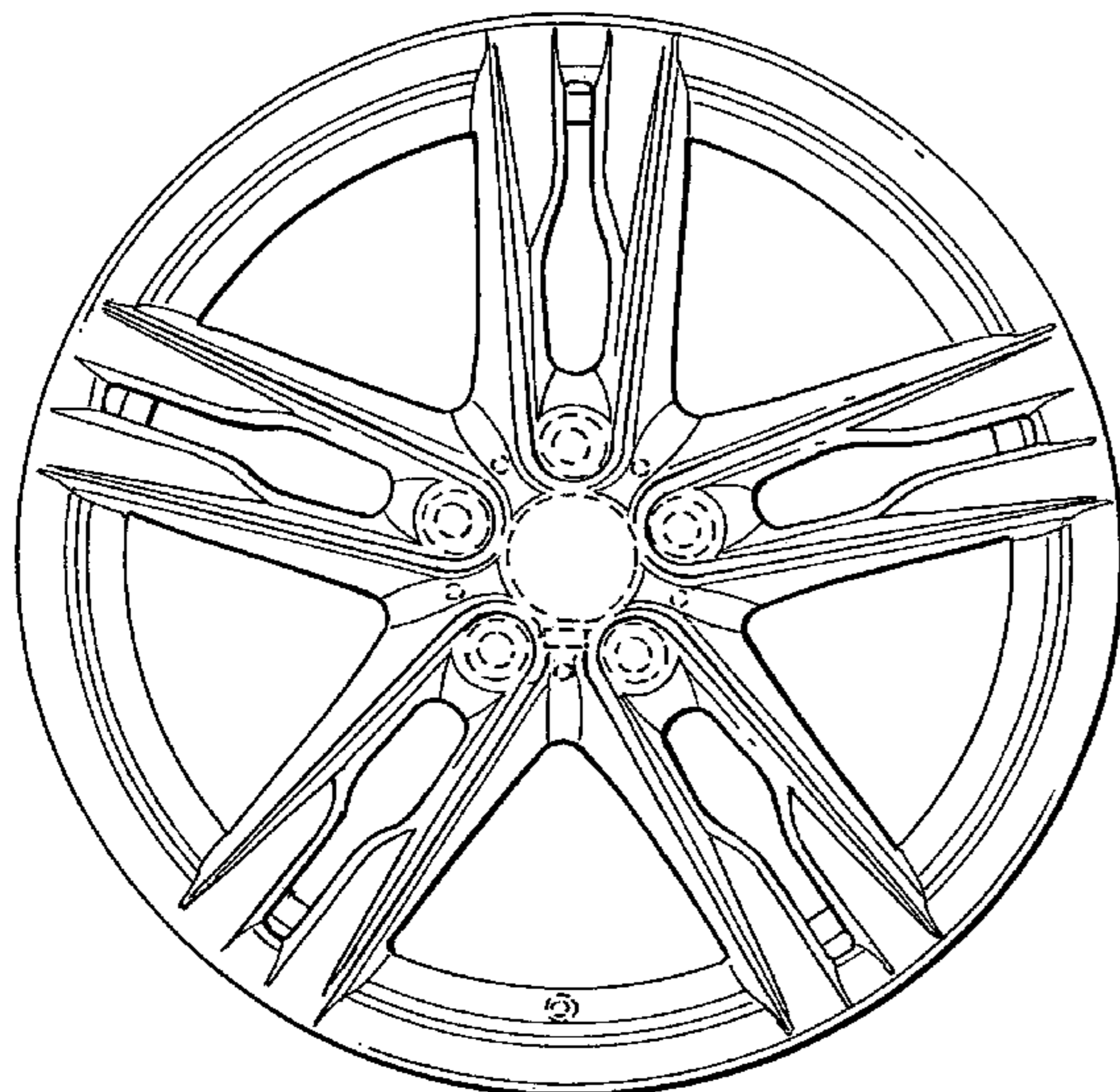
DESCRIPTION

FIG. 1 is a front view of a wheel or wheel cover according to my design; and,

FIG. 2 is a perspective view thereof.

The broken line showing of the rear of the wheel, the valve stem hole, and the bolt holes and the center cap in the central hub area is included for the purpose of illustrating environment and forms no part of the claimed design.

1 Claim, 1 Drawing Sheet



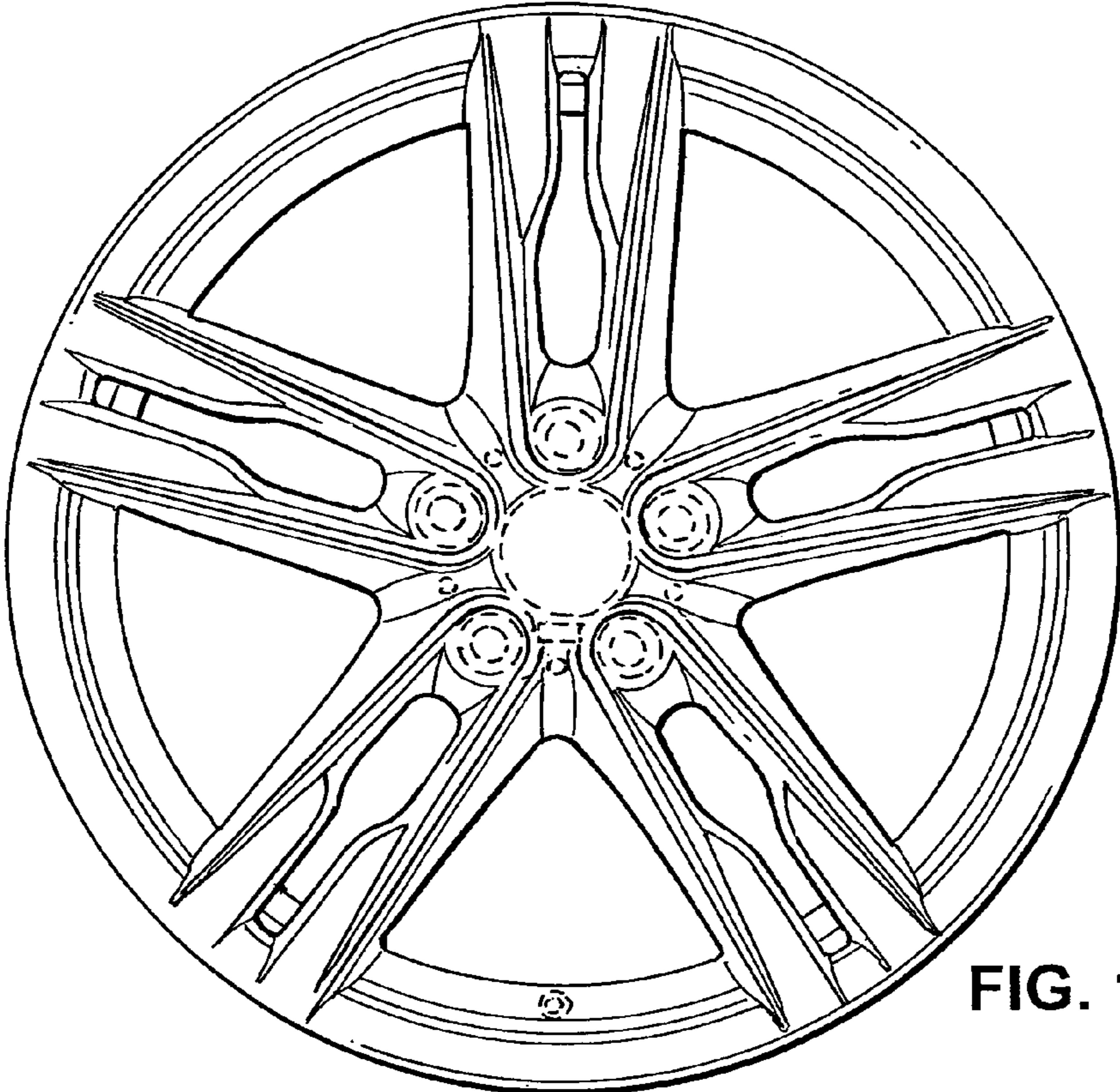


FIG. 1

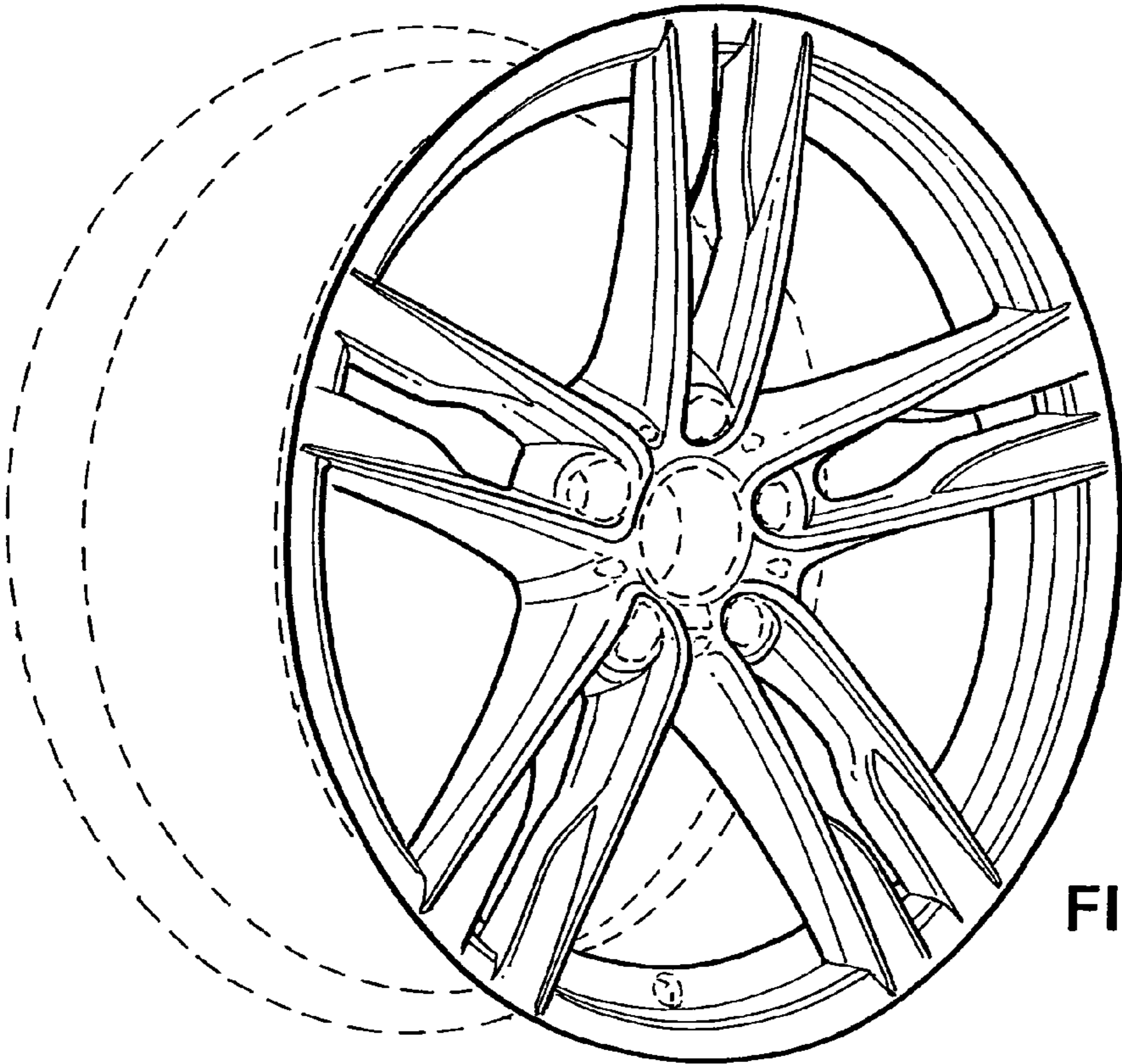


FIG. 2