



US00D655660S

(12) **United States Design Patent**
Stucki

(10) **Patent No.:** **US D655,660 S**
(45) **Date of Patent:** **** Mar. 13, 2012**

(54) **WHEEL OR WHEEL COVER**

(75) Inventor: **Erika Miranda Stucki**, Stuttgart (DE)

(73) Assignee: **Daimler AG**, Stuttgart (DE)

(**) Term: **14 Years**

(21) Appl. No.: **29/399,748**

(22) Filed: **Aug. 18, 2011**

(30) **Foreign Application Priority Data**

Feb. 22, 2011 (EM) 001824616-0001

(51) **LOC (9) Cl.** **12-16**

(52) **U.S. Cl.** **D12/209**

(58) **Field of Classification Search** D12/204-213;
301/37.101, 64.101, 65, 64.201

See application file for complete search history.

(56) **References Cited**

U.S. PATENT DOCUMENTS

D409,546 S *	5/1999	Stark	D12/209
D445,749 S *	7/2001	Kuninari et al.	D12/209
D451,062 S *	11/2001	Yoshida	D12/209
D451,065 S *	11/2001	Braun	D12/211
D455,693 S *	4/2002	Sato et al.	D12/209
D461,153 S *	8/2002	Koyama	D12/209
D461,757 S *	8/2002	Taneoka	D12/211

D472,509 S *	4/2003	Laengerer	D12/209
D476,285 S *	6/2003	Yoshida et al.	D12/211
D499,058 S *	11/2004	Iwauchi et al.	D12/209
D504,096 S *	4/2005	Nakagawa et al.	D12/209
D514,494 S *	2/2006	Scheu	D12/209
D538,731 S *	3/2007	Iwauchi et al.	D12/211
D573,932 S *	7/2008	Laengerer	D12/209
D589,863 S *	4/2009	Huet	D12/209
D593,477 S *	6/2009	Chen et al.	D12/211
D611,396 S *	3/2010	Antoniadis et al.	D12/211
D619,524 S *	7/2010	Gabath	D12/209
D635,077 S *	3/2011	Nordmann	D12/209
D648,255 S *	11/2011	Scheinhutte	D12/209

* cited by examiner

Primary Examiner — Stacia Cadmus

(74) *Attorney, Agent, or Firm* — Crowell & Moring LLP

(57) **CLAIM**

The ornamental design for a wheel or wheel cover, as shown and described.

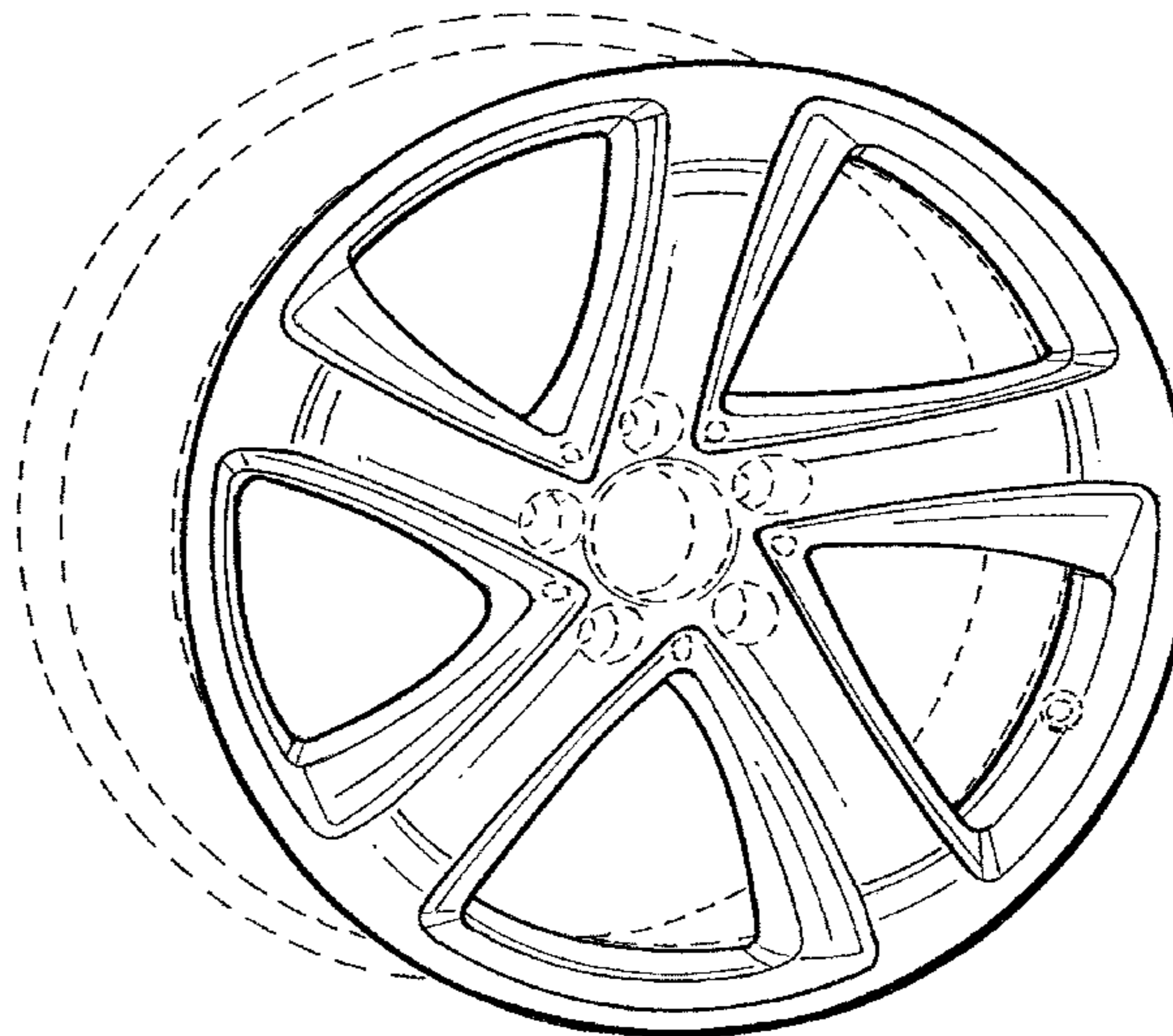
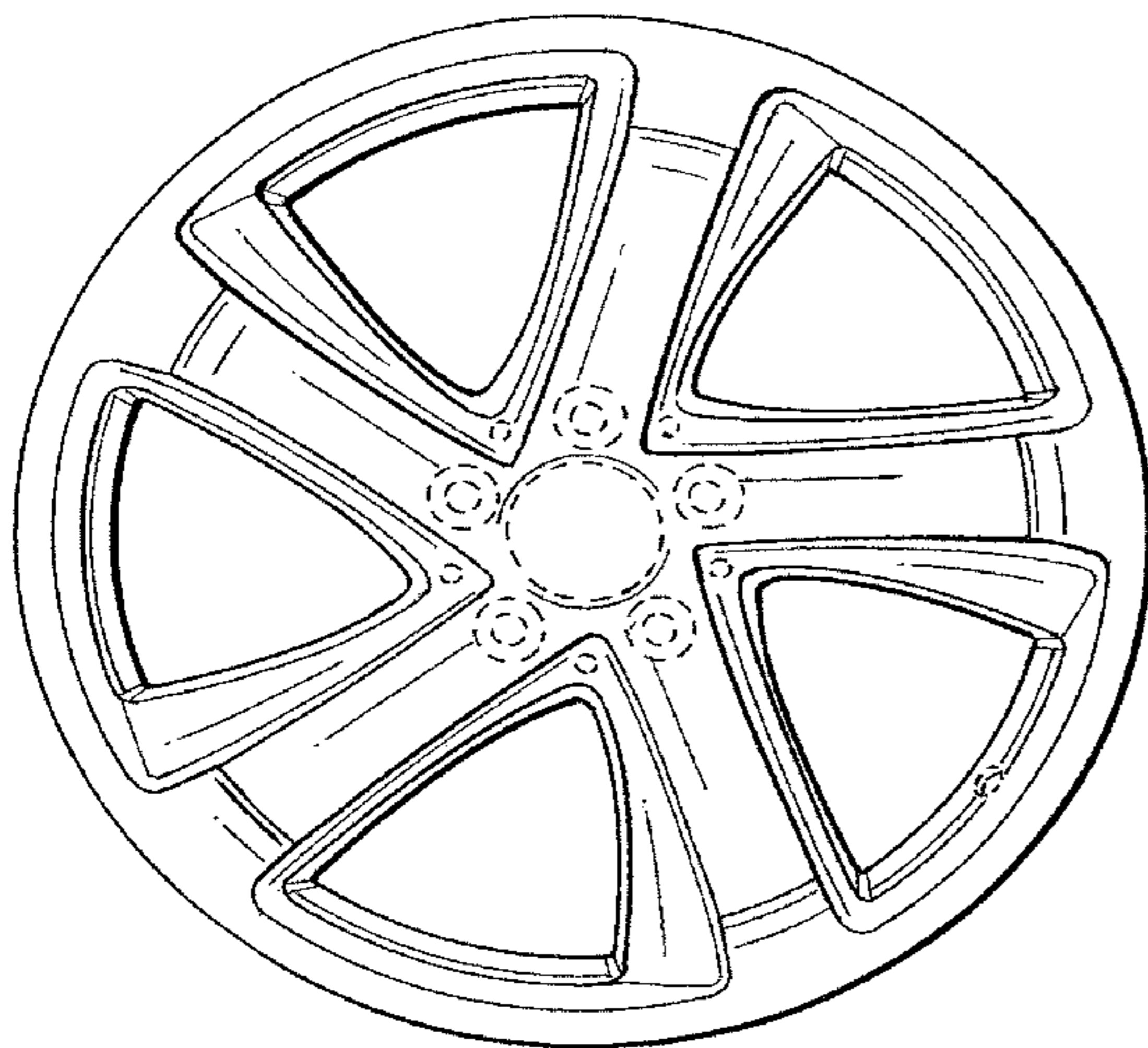
DESCRIPTION

FIG. 1 is a front view of a wheel or wheel cover according to my design; and,

FIG. 2 is a perspective view thereof.

The broken line showing of the rear of the wheel, the valve stem hole, and the bolt holes and the center cap in the central hub area is included for the purpose of illustrating environment and forms no part of the claimed design.

1 Claim, 1 Drawing Sheet



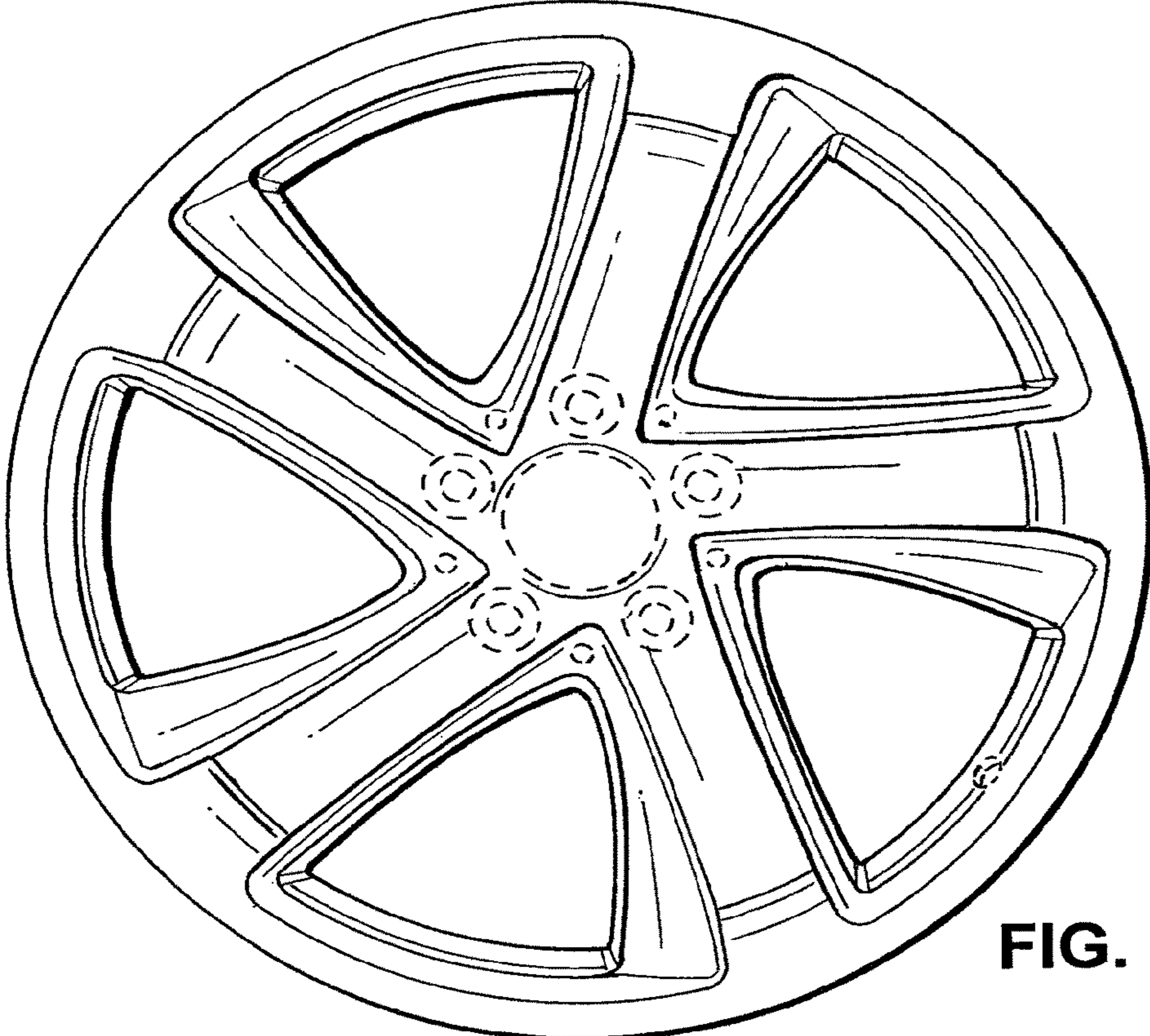


FIG. 1

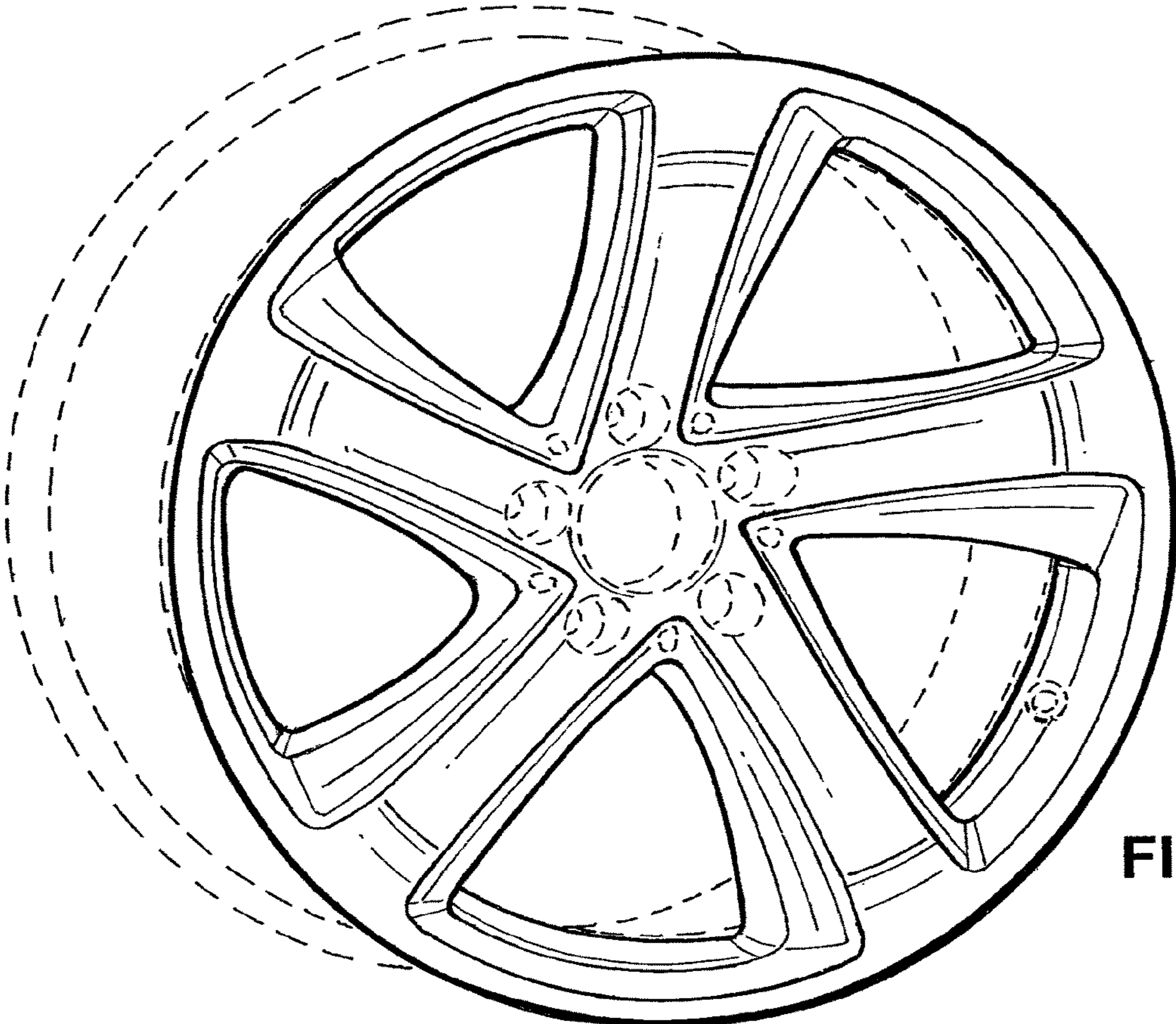


FIG. 2