



US00D655659S

(12) **United States Design Patent**  
**Schweizer**

(10) **Patent No.:** **US D655,659 S**

(45) **Date of Patent:** **\*\* Mar. 13, 2012**

(54) **WHEEL OR WHEEL COVER**

(75) Inventor: **Oliver Schweizer**, Stuttgart (DE)

(73) Assignee: **Daimler AG**, Stuttgart (DE)

(\*\*) Term: **14 Years**

(21) Appl. No.: **29/398,936**

(22) Filed: **Aug. 8, 2011**

(30) **Foreign Application Priority Data**

Feb. 9, 2011 (EM) ..... 001818451-0001

(51) **LOC (9) Cl.** ..... **12-16**

(52) **U.S. Cl.** ..... **D12/209**

(58) **Field of Classification Search** ..... D12/204-213;  
301/37.101, 64.101, 65, 64.201

See application file for complete search history.

(56) **References Cited**

**U.S. PATENT DOCUMENTS**

D475,337 S *	6/2003	Kataoka .....	D12/209
D478,539 S *	8/2003	Brown et al. ....	D12/209
D504,380 S *	4/2005	Kushartanto .....	D12/209
D528,957 S *	9/2006	Kim .....	D12/209
D583,739 S *	12/2008	Gallert .....	D12/209

D612,787 S *	3/2010	Juergens et al. ....	D12/209
D617,716 S *	6/2010	Lamm et al. ....	D12/211
D618,151 S *	6/2010	Junker .....	D12/209
D620,870 S *	8/2010	Powell .....	D12/211
D621,770 S *	8/2010	Pollmann .....	D12/209
D624,862 S *	10/2010	Zhao .....	D12/209
D630,564 S *	1/2011	Baum .....	D12/209
D635,499 S *	4/2011	Nissl .....	D12/211
D638,768 S *	5/2011	Nissl .....	D12/211
D644,588 S *	9/2011	Schweizer .....	D12/211

\* cited by examiner

*Primary Examiner* — Stacia Cadmus

(74) *Attorney, Agent, or Firm* — Crowell & Moring LLP

(57) **CLAIM**

The ornamental design for a wheel or wheel cover, as shown and described.

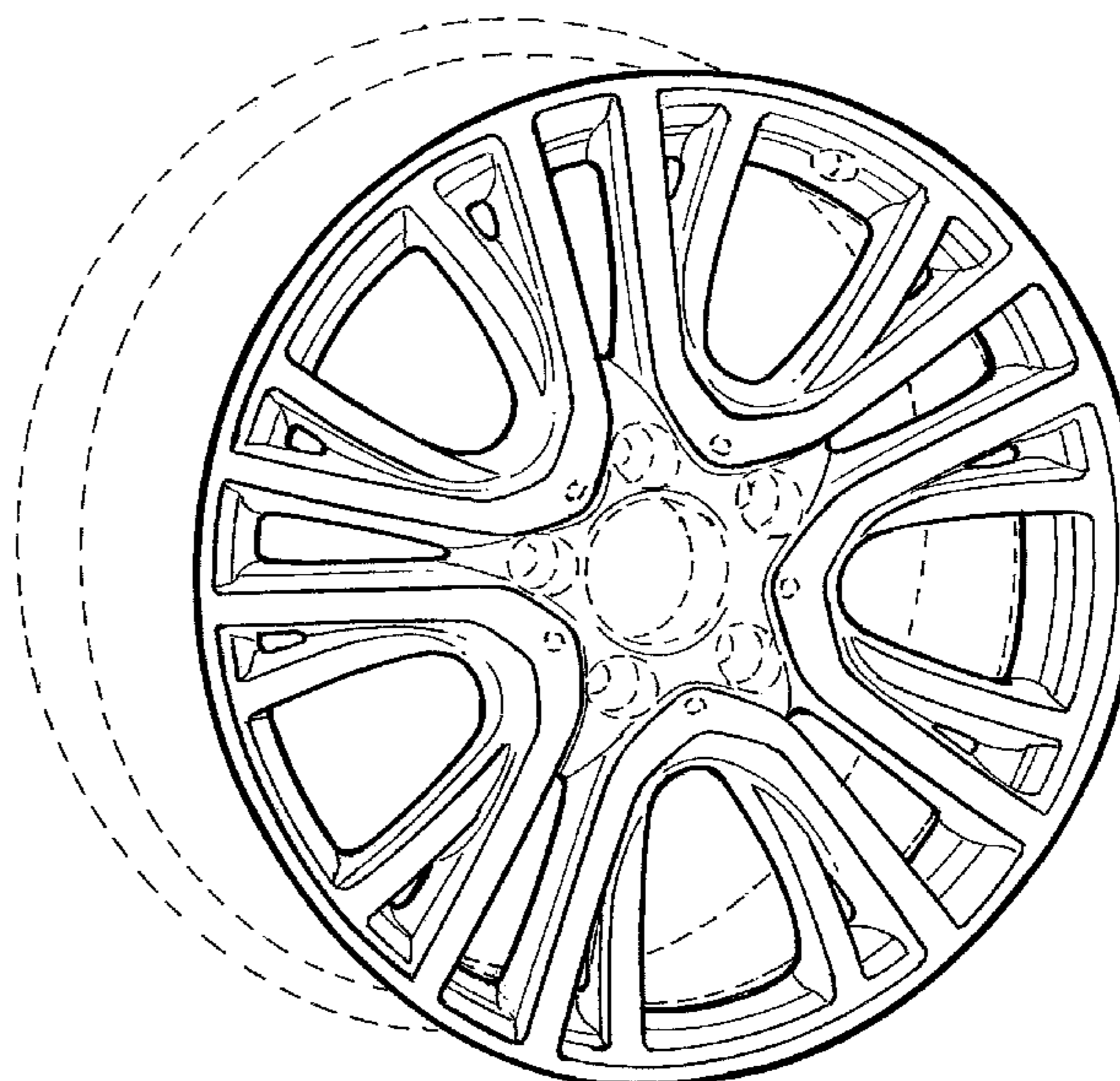
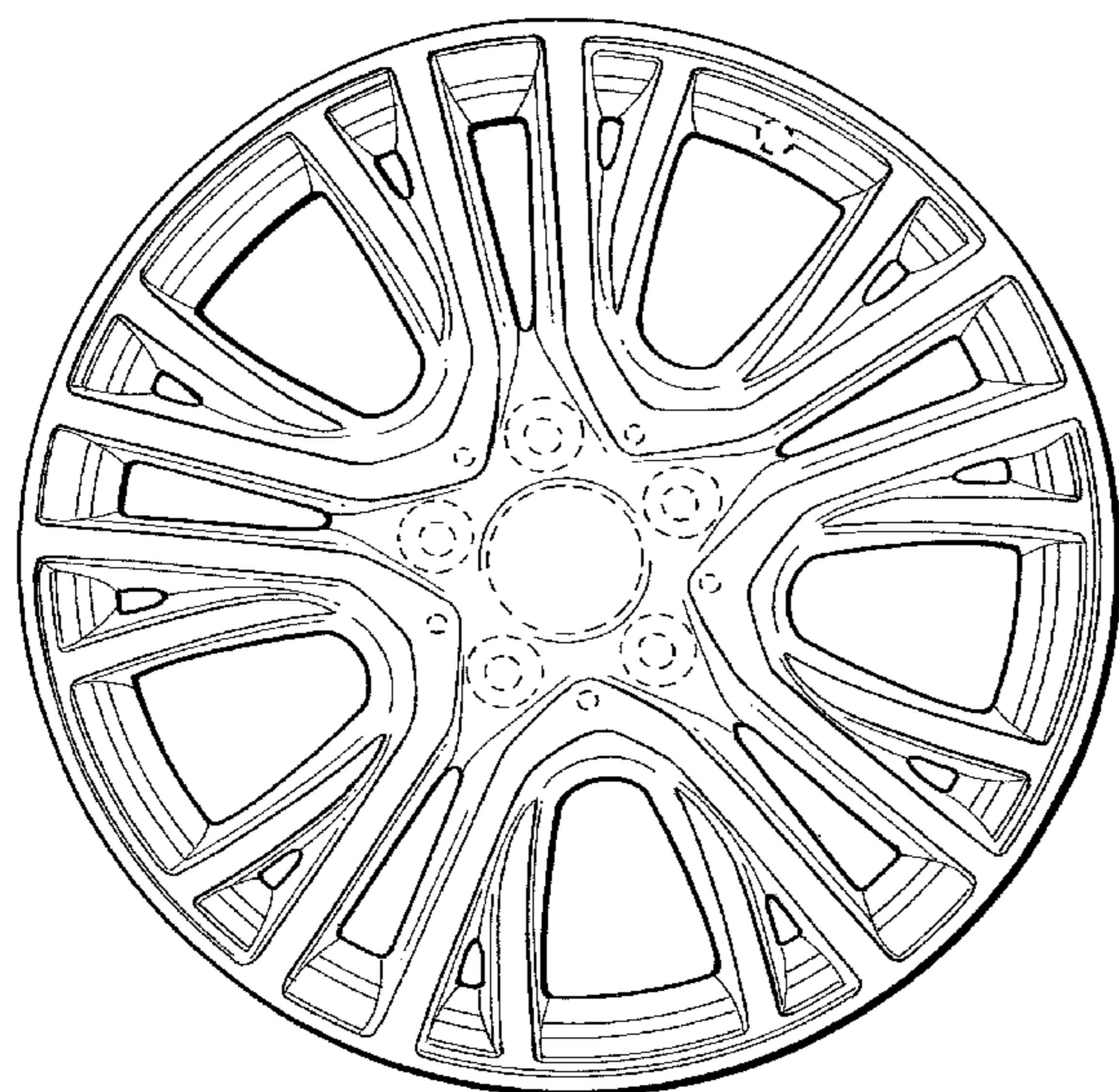
**DESCRIPTION**

FIG. 1 is a front view of a wheel or wheel cover according to my design; and,

FIG. 2 is a perspective view thereof.

The broken line showing of the rear of the wheel, the valve stem hole, and the bolt holes and the center cap in the central hub area is included for the purpose of illustrating environment and forms no part of the claimed design.

**1 Claim, 1 Drawing Sheet**



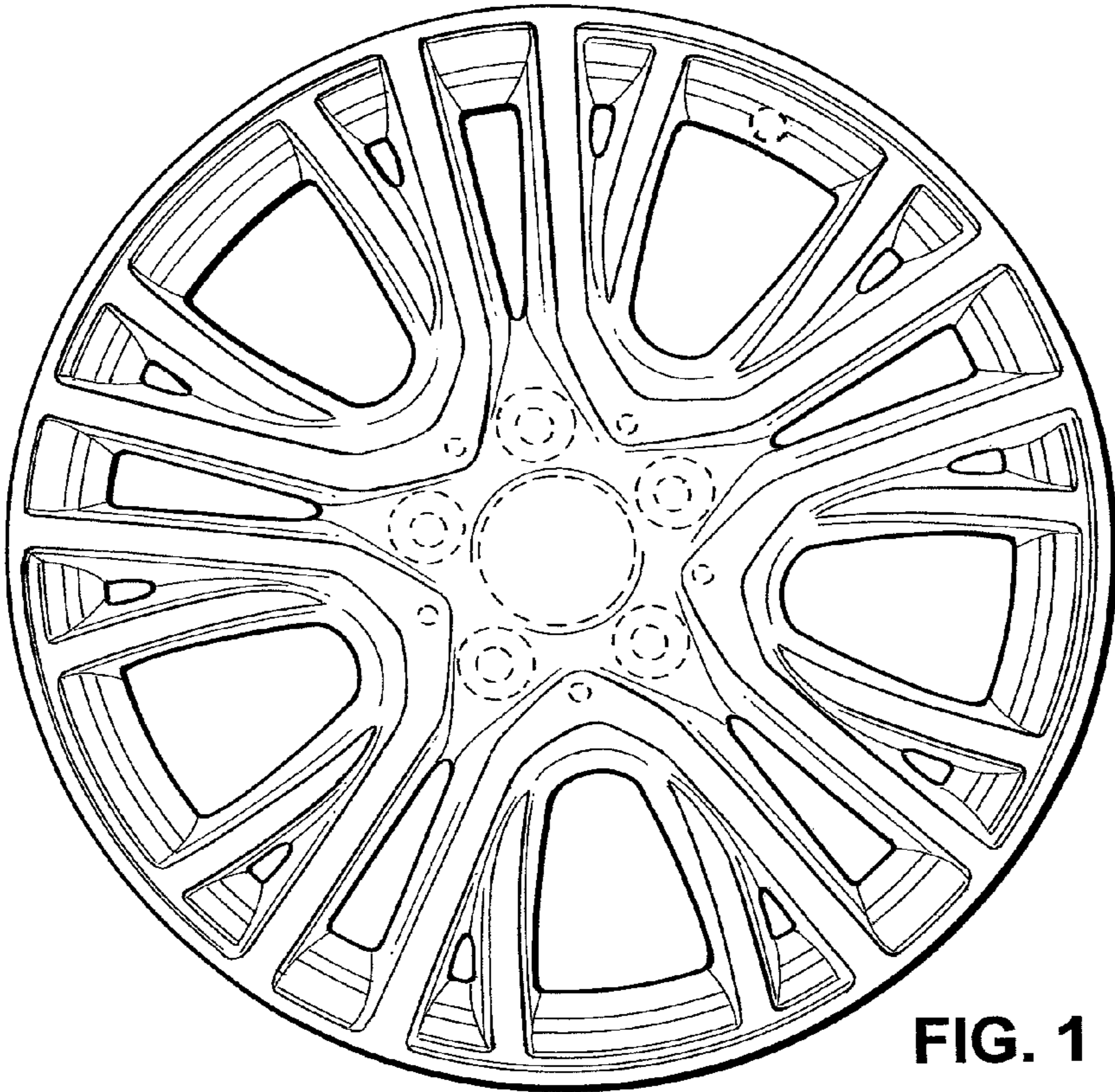


FIG. 1

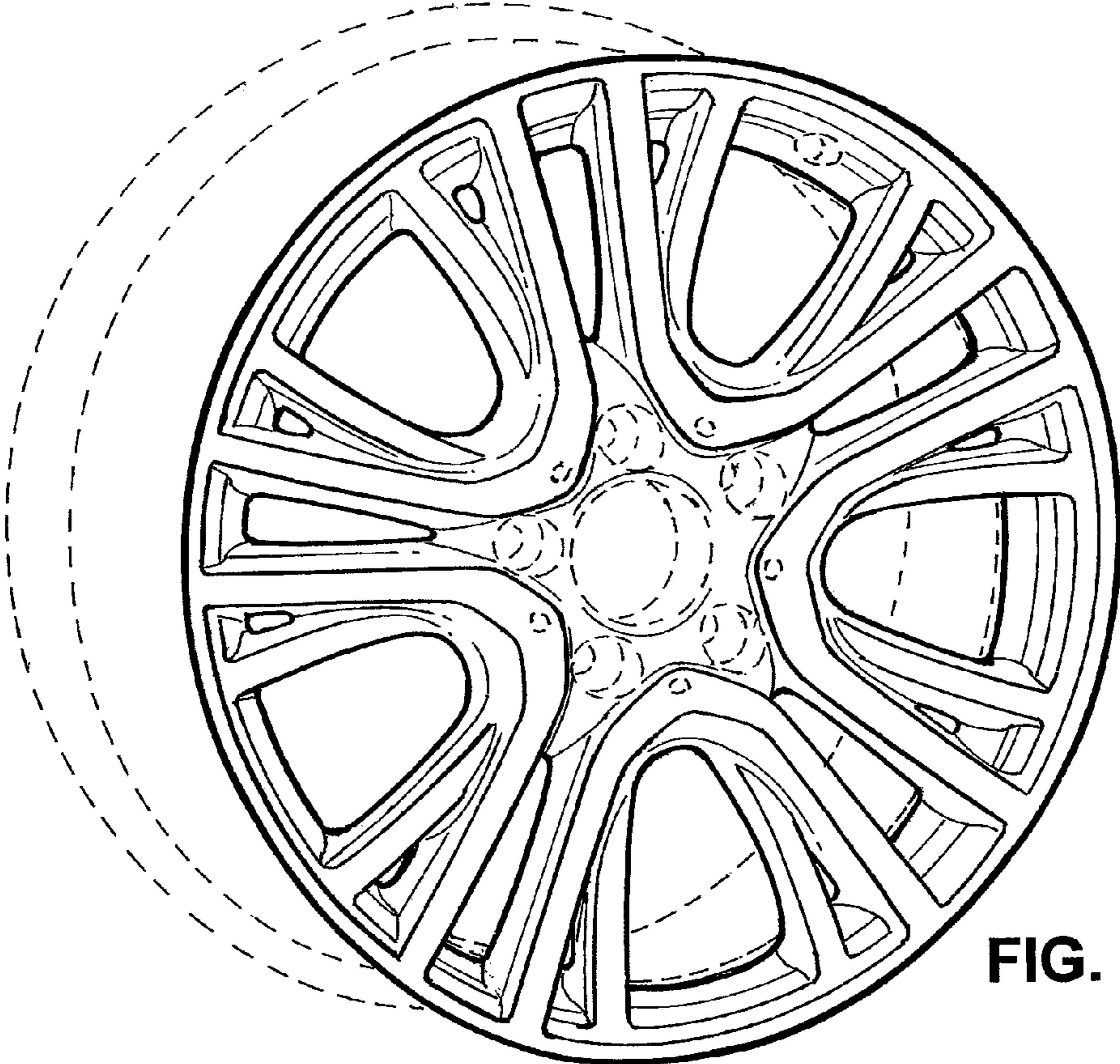


FIG. 2