



US00D655657S

(12) **United States Design Patent**
Juergens et al.

(10) **Patent No.:** **US D655,657 S**
(45) **Date of Patent:** **** Mar. 13, 2012**

(54) **WHEEL OR WHEEL COVER**
(75) Inventors: **Dirk Juergens**, Munich (DE); **Rainer Mueller**, Munich (DE)
(73) Assignee: **Bayerische Motoren Werke Aktiengesellschaft**, Munich (DE)

D569,322 S * 5/2008 Scheu D12/211
D574,311 S * 8/2008 Chung D12/209
D588,517 S * 3/2009 Aroney D12/211
D590,322 S * 4/2009 Rak D12/211
D594,800 S 6/2009 Blasi
D626,051 S * 10/2010 Fisker et al. D12/209
D644,158 S * 8/2011 Nissl D12/211
D644,589 S * 9/2011 Fisker et al. D12/211

(**) Term: **14 Years**
(21) Appl. No.: **29/371,355**
(22) Filed: **Jan. 14, 2011**

FOREIGN PATENT DOCUMENTS

DE 40106965.6 1/2002
EM 000422795-0003 12/2005
EM 001036552-0002 11/2009

* cited by examiner

(30) **Foreign Application Priority Data**
Jul. 16, 2010 (DE) 402010003916
(51) **LOC (9) Cl.** **12-16**
(52) **U.S. Cl.** **D12/209**
(58) **Field of Classification Search** D12/204-213;
301/37.101, 64.101, 65, 64.201
See application file for complete search history.

Primary Examiner — Stacia Cadmus
(74) *Attorney, Agent, or Firm* — Crowell & Moring LLP

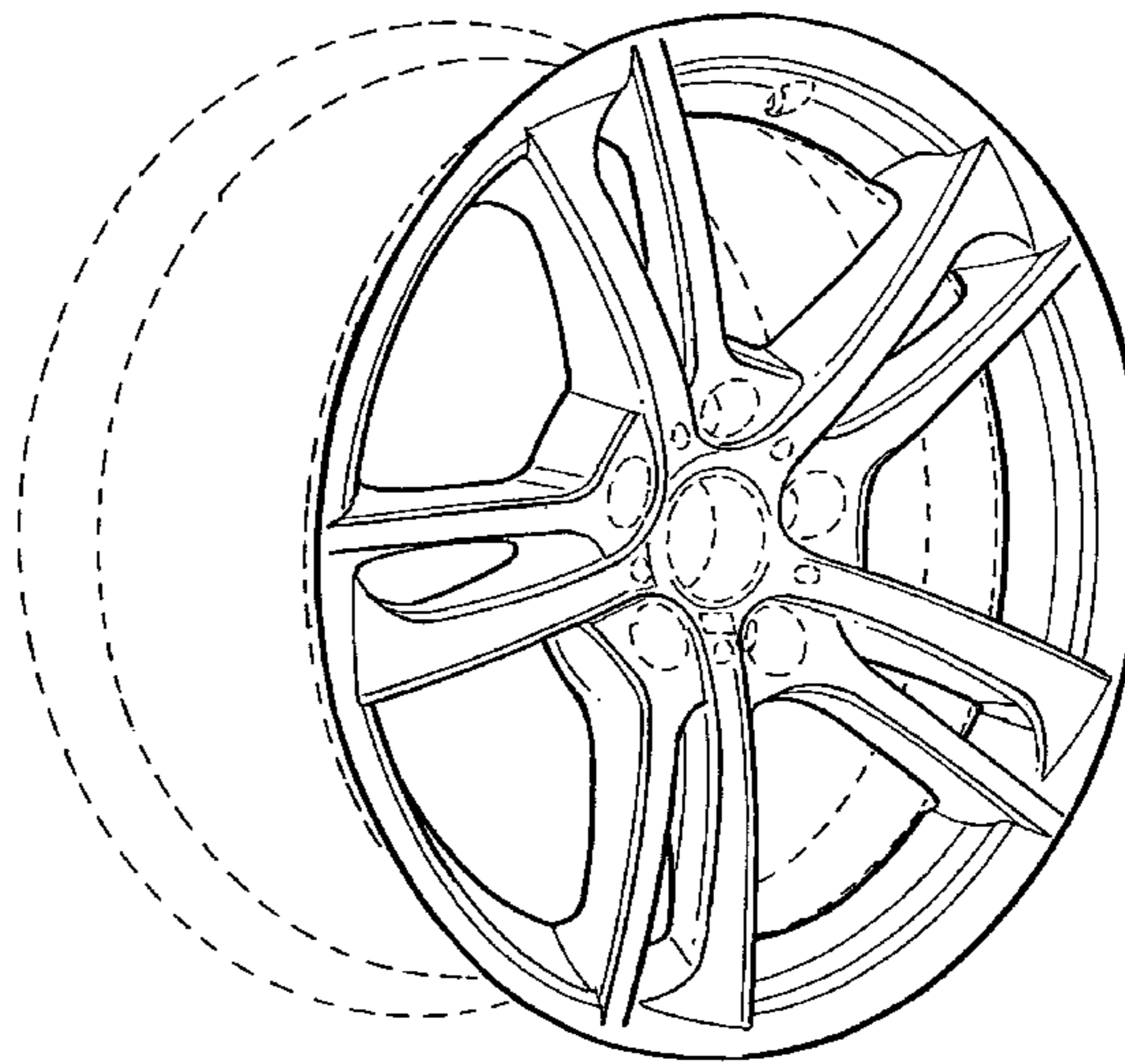
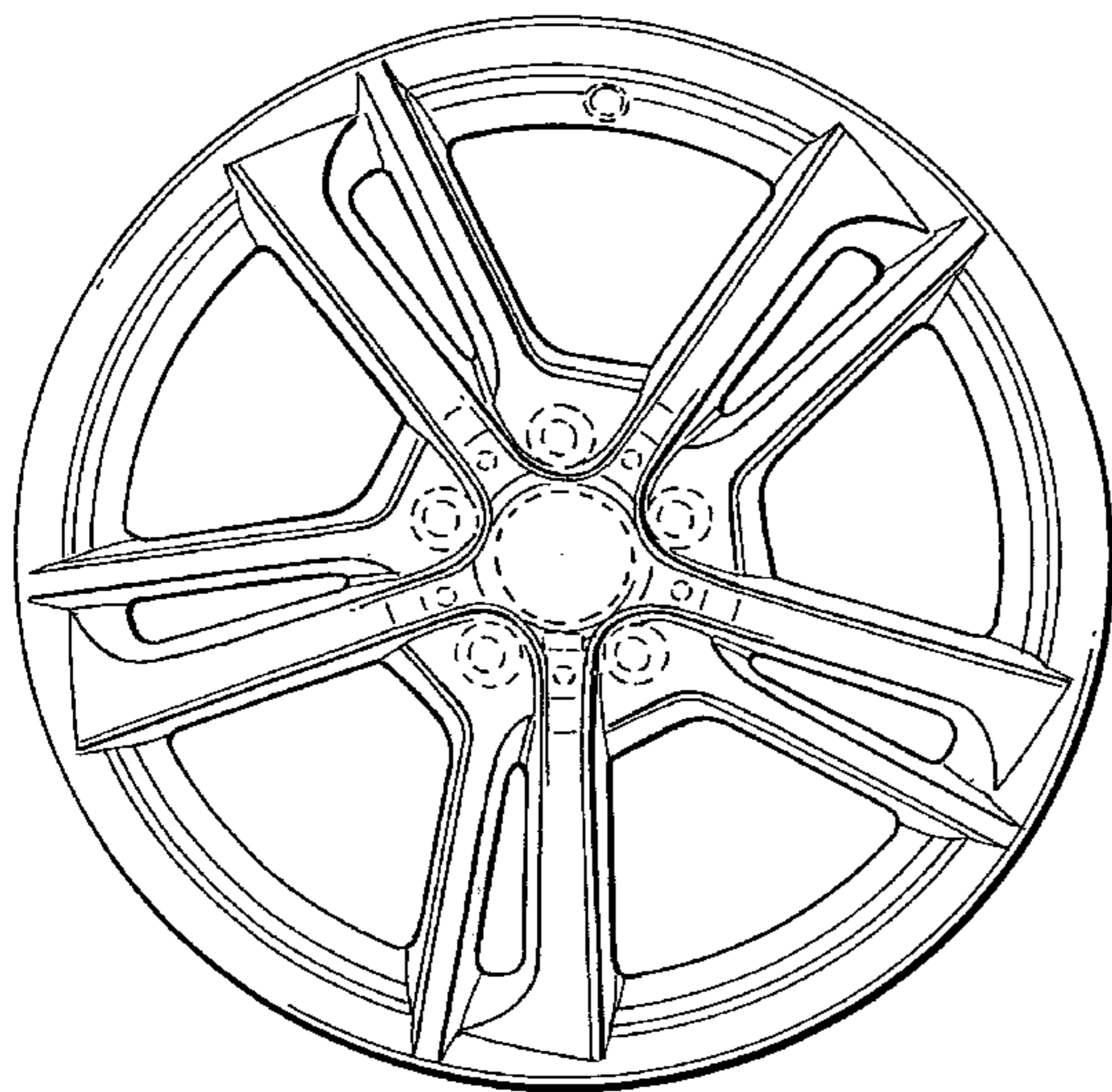
(57) **CLAIM**
The ornamental design for a wheel or wheel cover, as shown and described.

(56) **References Cited**
U.S. PATENT DOCUMENTS
D375,716 S * 11/1996 Dehner D12/209
D398,276 S * 9/1998 Neeper D12/209
D458,885 S * 6/2002 Kuribayashi D12/209
D474,139 S 5/2003 Warming
D527,333 S 8/2006 Blasi

DESCRIPTION

FIG. 1 is a front view of a wheel or wheel cover according to our design; and,
FIG. 2 is a perspective view thereof.
The broken line showing of the rear of the wheel, the valve stem hole, and the bolt holes and the center cap in the central hub area is included for the purpose of illustrating environment and forms no part of the claimed design.

1 Claim, 1 Drawing Sheet



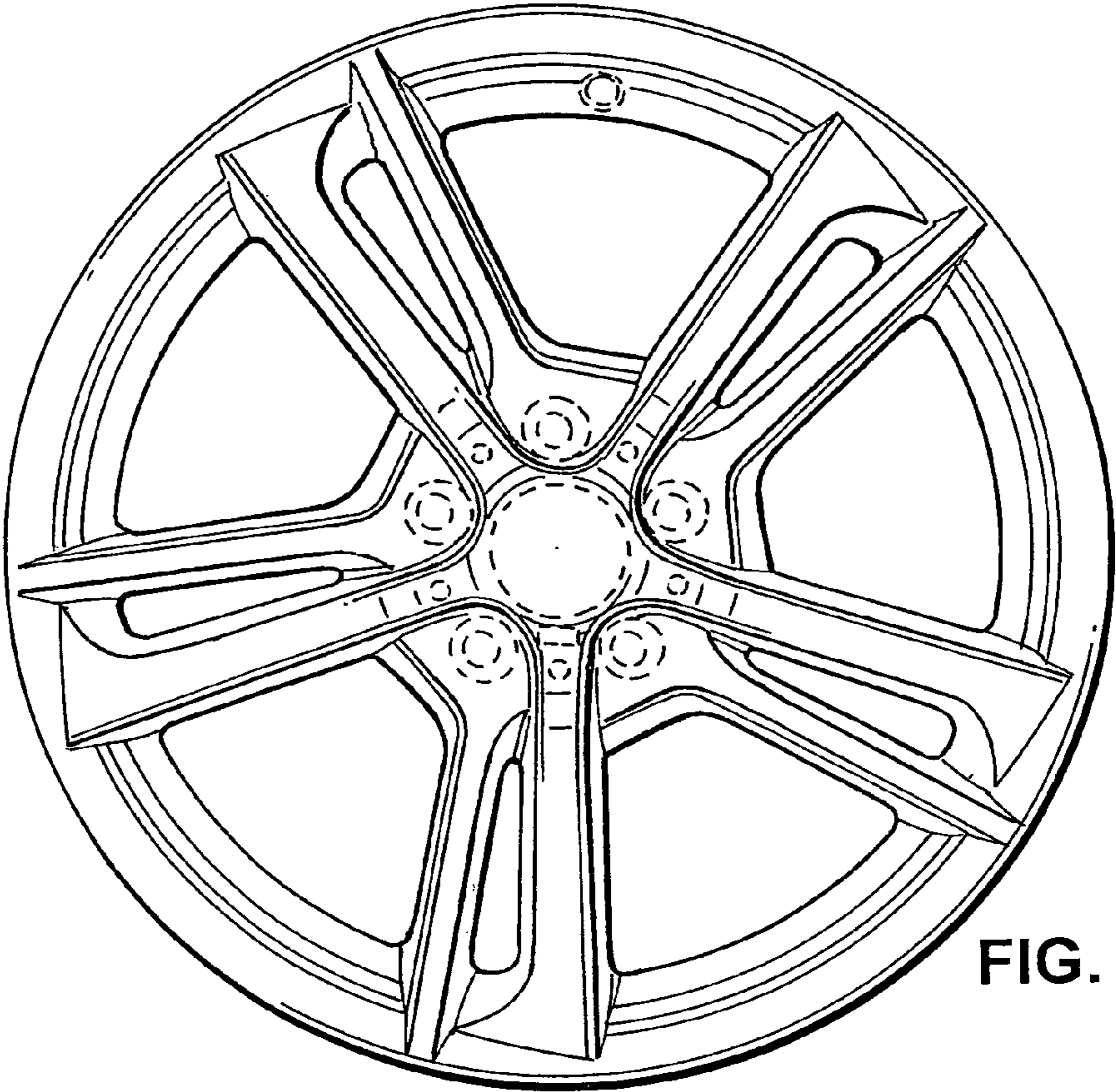


FIG. 1

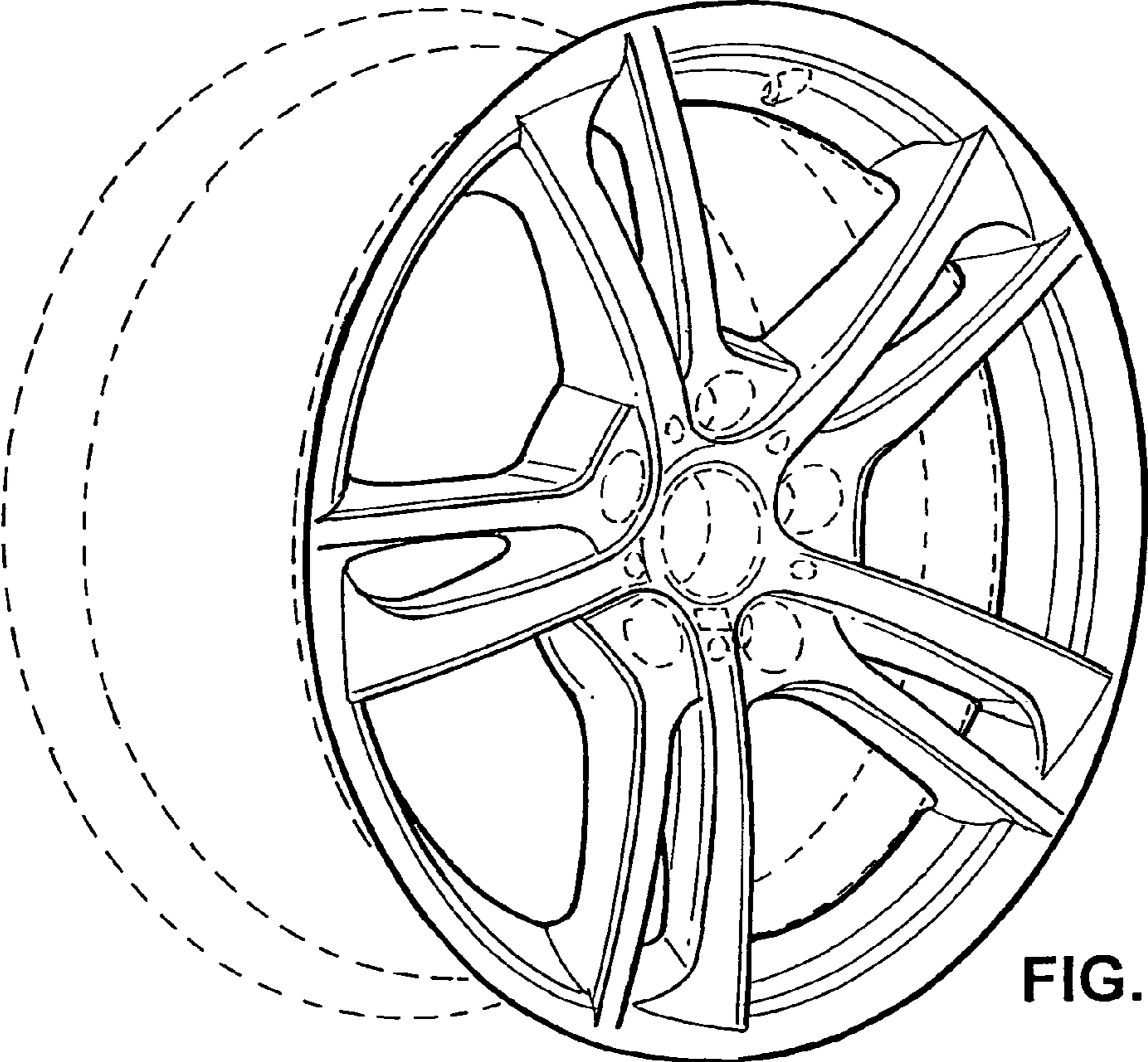


FIG. 2