



US00D655652S

(12) **United States Design Patent**  
**Hanson et al.**

(10) **Patent No.:** **US D655,652 S**  
(45) **Date of Patent:** **\*\* Mar. 13, 2012**

(54) **BUMPER OF A TRUCK**  
(75) Inventors: **Eric J. Hanson**, Valparaiso, IN (US);  
**Jennifer E. Alday**, Fort Wayne, IN (US);  
**Joseph F. deNatale**, Fort Wayne, IN  
(US); **Brenda K. Baeumler**,  
Monroeville, IN (US); **Shawn W.**  
**Hamrick**, Berne, IN (US); **Marcey**  
**Collins**, Fort Wayne, IN (US)

D502,897 S 3/2005 Delashaw et al.  
D502,901 S 3/2005 Delashaw et al.  
D504,642 S 5/2005 Perfetti et al.  
D523,793 S 6/2006 Beigel et al.  
D536,287 S 2/2007 Beigel et al.

(Continued)

*Primary Examiner* — Melody N Brown  
(74) *Attorney, Agent, or Firm* — Jeffrey A. Ruppel; Bart A. Fisher

(73) Assignee: **Caterpillar Inc.**, Peoria, IL (US)

(\*\*) Term: **14 Years**

(21) Appl. No.: **29/381,440**

(22) Filed: **Dec. 20, 2010**

(51) **LOC (9) Cl.** ..... **12-16**

(52) **U.S. Cl.** ..... **D12/169**

(58) **Field of Classification Search** ..... D12/169,  
D12/196, 171, 216, 163, 86, 90-92; 293/102,  
293/113, 115, 117, 120; 296/180.1, 180.2  
See application file for complete search history.

(56) **References Cited**

U.S. PATENT DOCUMENTS

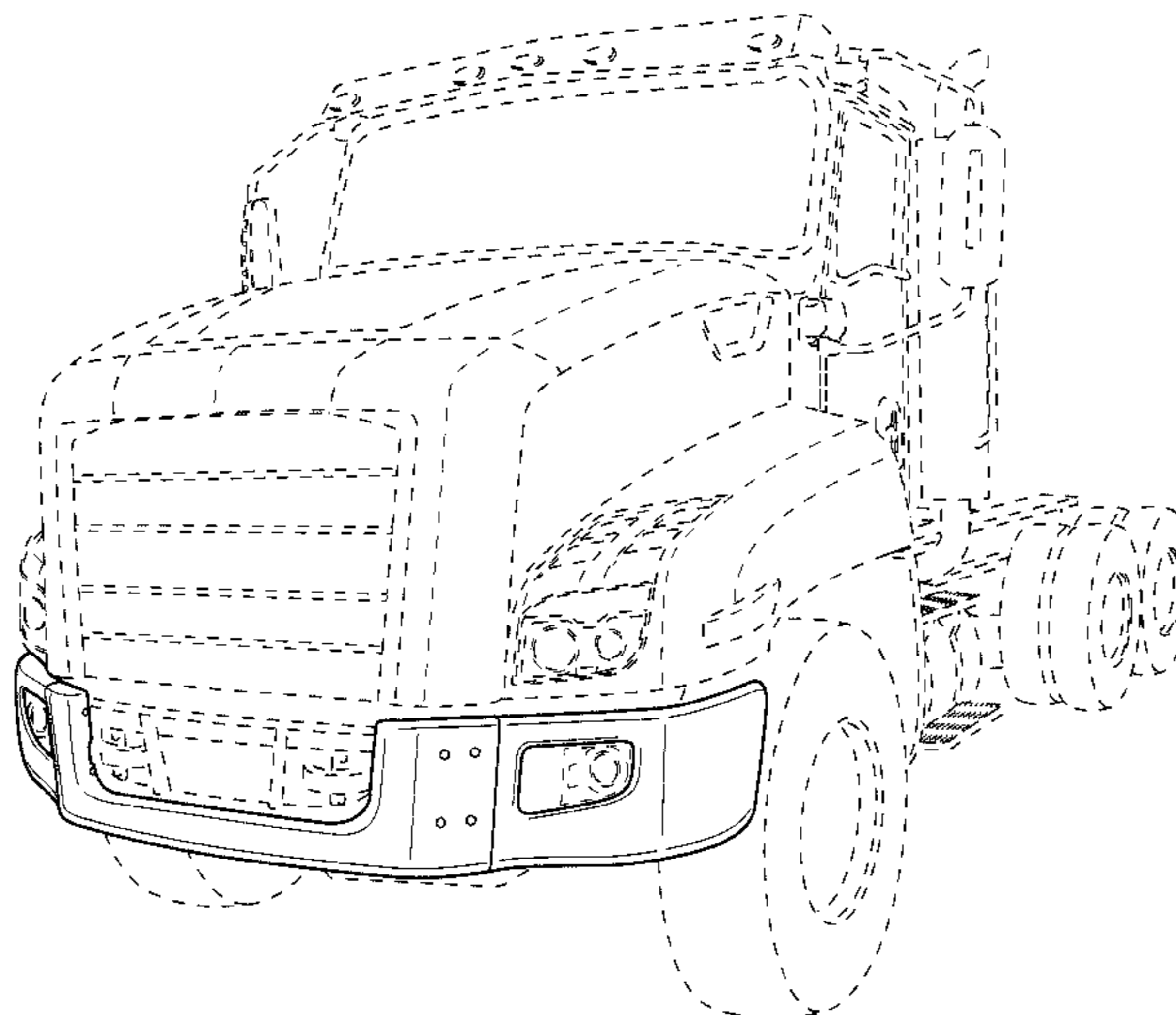
|              |         |                    |        |
|--------------|---------|--------------------|--------|
| D307,126 S   | 4/1990  | Allendorph et al.  |        |
| D328,273 S   | 7/1992  | McGrew, Jr. et al. |        |
| D335,272 S   | 5/1993  | Allendorph et al.  |        |
| D366,638 S   | 1/1996  | Tucker et al.      |        |
| D367,027 S   | 2/1996  | Onopa              |        |
| D382,841 S   | 8/1997  | Norwood et al.     |        |
| D391,908 S   | 3/1998  | Allendorph et al.  |        |
| D394,035 S   | 5/1998  | Stosel et al.      |        |
| D394,624 S   | 5/1998  | Allendorph et al.  |        |
| D412,689 S   | 8/1999  | Onopa              |        |
| D426,800 S   | 6/2000  | Zimmerman          |        |
| D437,574 S   | 2/2001  | Beigel             |        |
| D450,277 S   | 11/2001 | Onopa              |        |
| D455,381 S   | 4/2002  | Maher et al.       |        |
| D458,197 S   | 6/2002  | Maher et al.       |        |
| D466,450 S   | 12/2002 | Maher et al.       |        |
| D475,949 S * | 6/2003  | Honer              | D12/96 |

(57) **CLAIM**  
The ornamental design for a bumper of a truck, as shown and described.

**DESCRIPTION**

FIG. 1 is a left, front perspective view of a bumper of a truck showing our new design, the portions of the truck shown in broken lines are for illustrative purposes only and form no part of the claimed design;  
FIG. 2 is an enlarged left, front perspective view thereof, without the truck portions shown;  
FIG. 3 is an enlarged left side elevational view thereof;  
FIG. 4 is an enlarged top plan view thereof;  
FIG. 5 is an enlarged front elevational view thereof;  
FIG. 6 is an enlarged rear elevational view thereof;  
FIG. 7 is an enlarged bottom plan view thereof;  
FIG. 8 is an enlarged exploded left, front perspective view thereof;  
FIG. 9 is an enlarged exploded left side elevational view thereof;  
FIG. 10 is an enlarged exploded top plan view thereof;  
FIG. 11 is an enlarged exploded front elevational view thereof;  
FIG. 12 is an enlarged exploded rear elevational view thereof;  
and,  
FIG. 13 is an enlarged exploded bottom plan view thereof.  
The broken lines of the figures showing additional portions of the truck are included for the purpose of illustrating environmental structure and form no part of the claimed design.

**1 Claim, 13 Drawing Sheets**



# US D655,652 S

Page 2

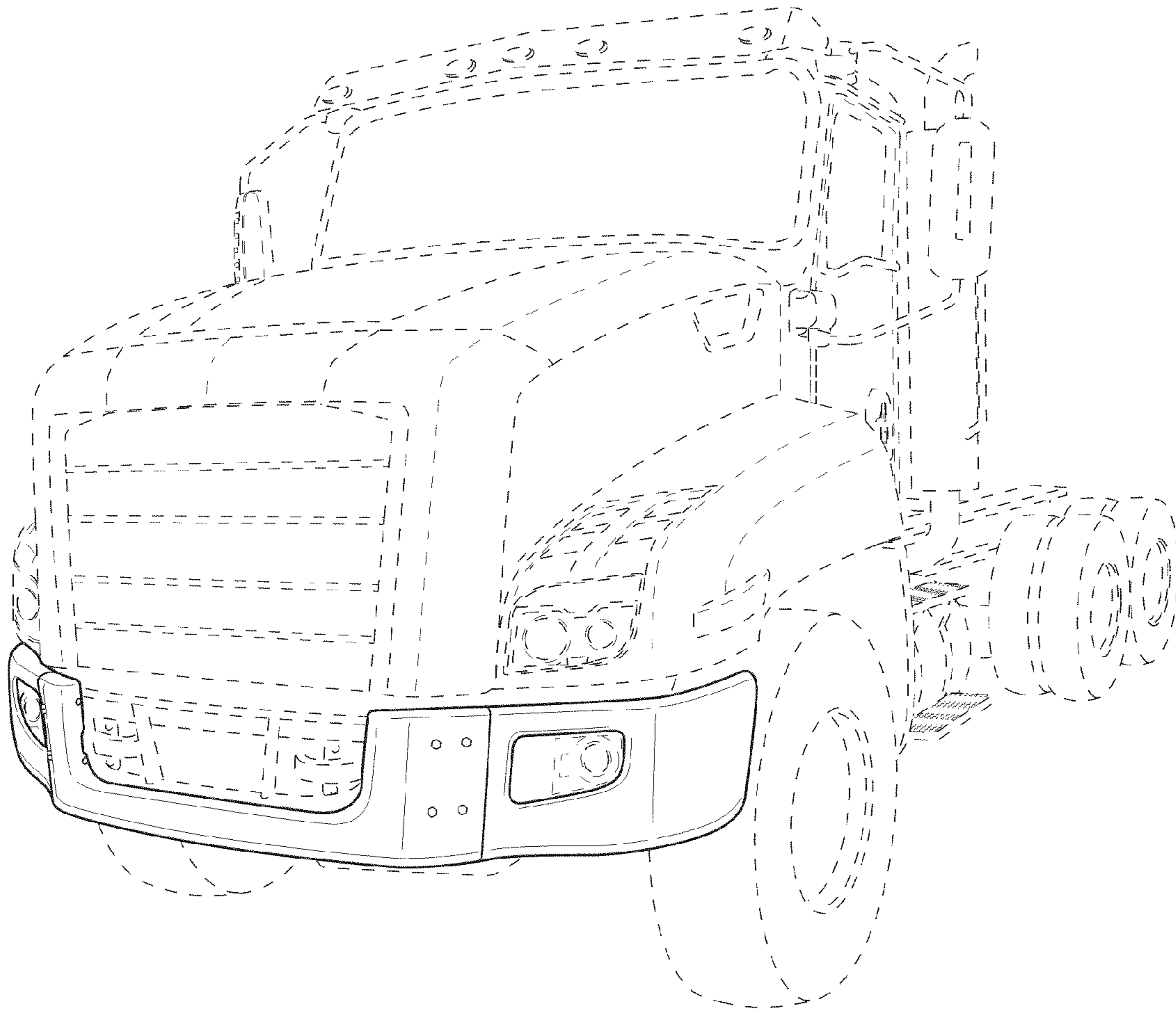
---

## U.S. PATENT DOCUMENTS

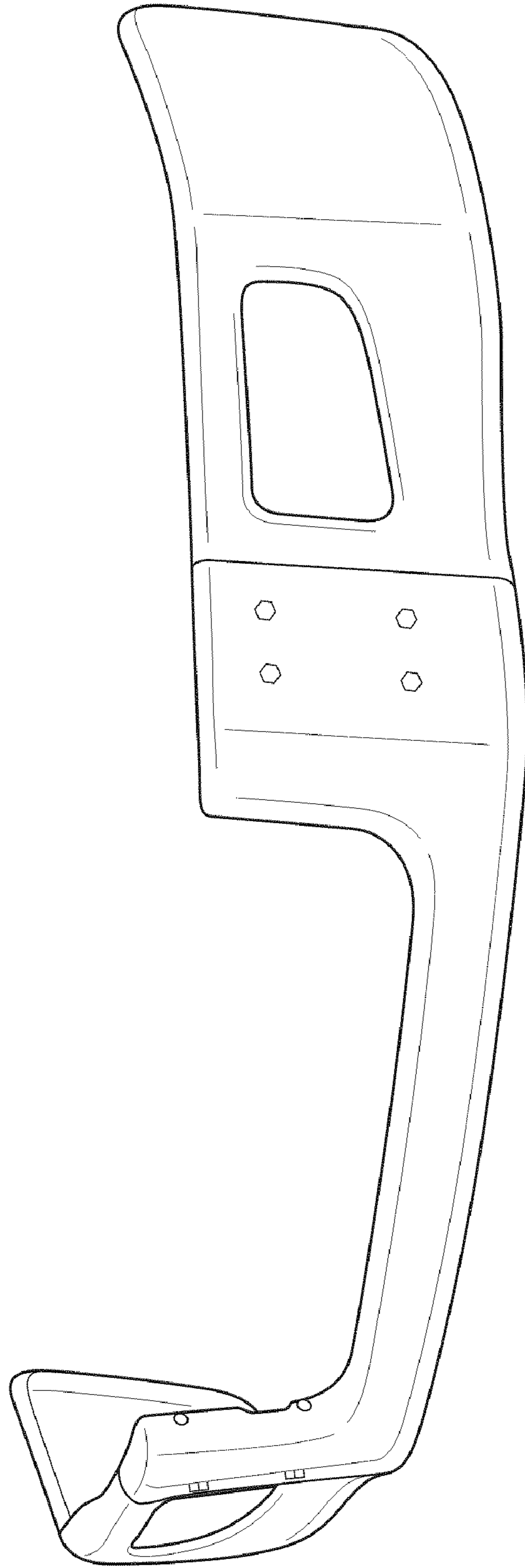
D537,761 S 3/2007 Beigel et al.  
D540,725 S 4/2007 Gunter et al.  
D556,654 S 12/2007 Lee et al.  
D571,696 S 6/2008 Rosen et al.

D579,828 S \* 11/2008 Bucher et al. .... D12/163  
D589,846 S 4/2009 Tanaka  
D621,752 S \* 8/2010 Angelo et al. .... D12/169  
D633,419 S \* 3/2011 Peltola et al. .... D12/169  
\* cited by examiner

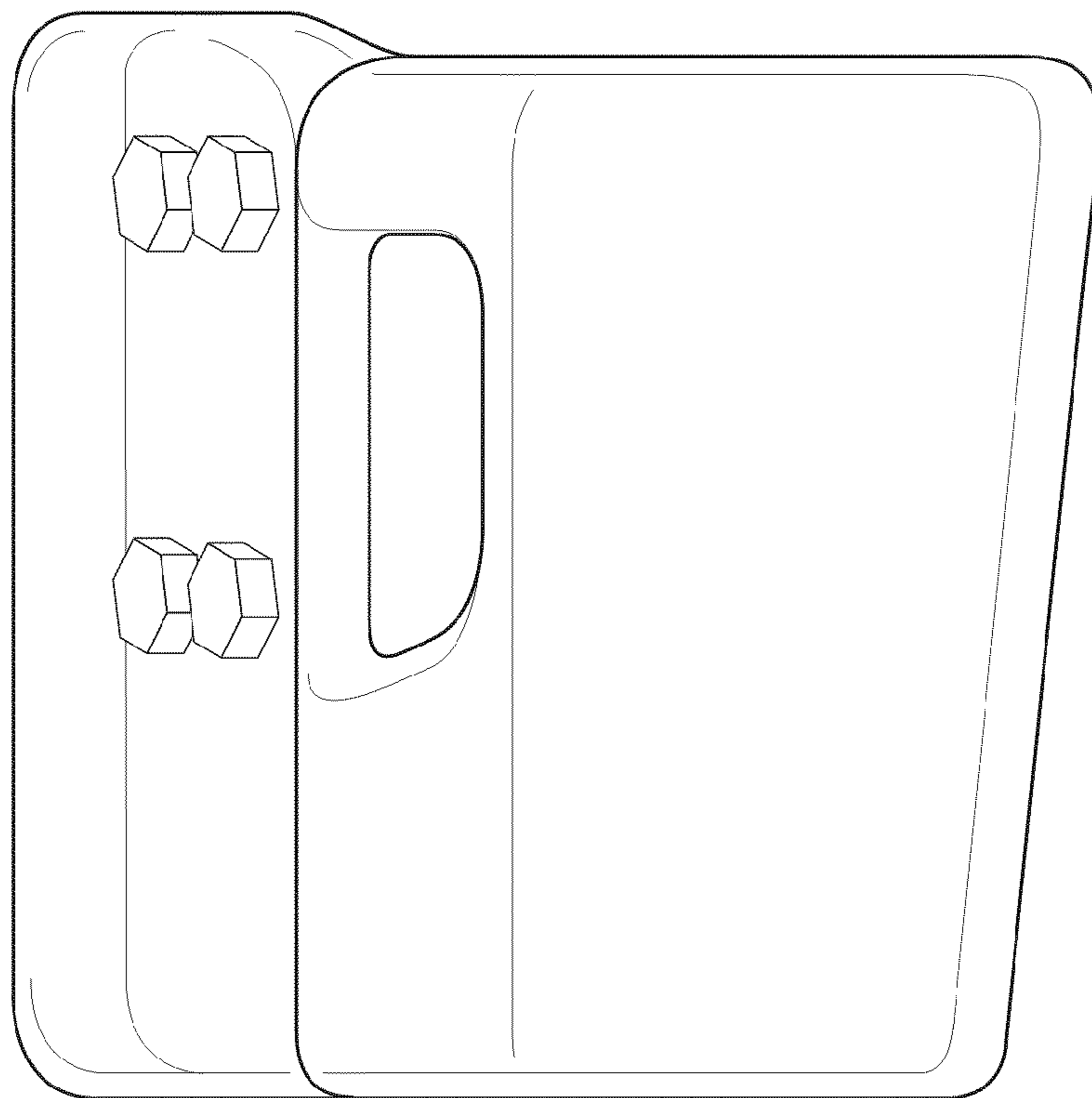
**FIG. 1**



**FIG. 2**



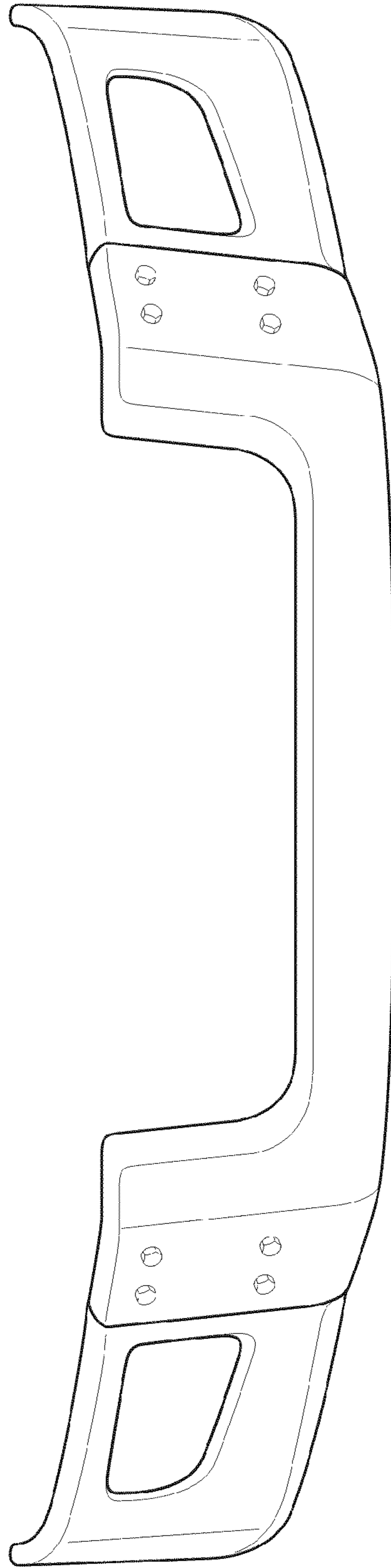
**FIG. 3**



**FIG. 4**



FIG. 5



**FIG. 6**

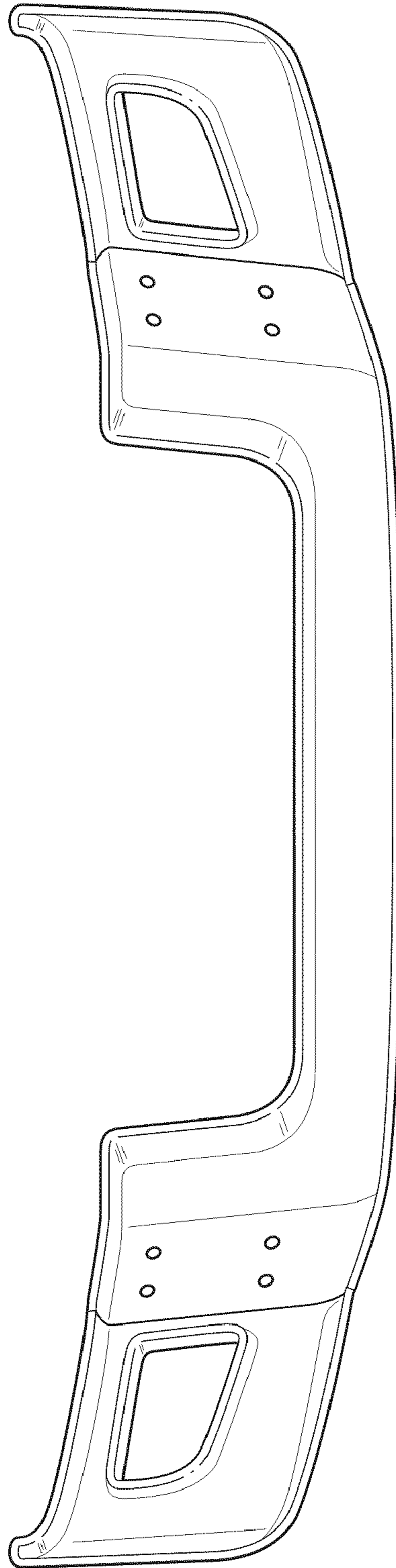
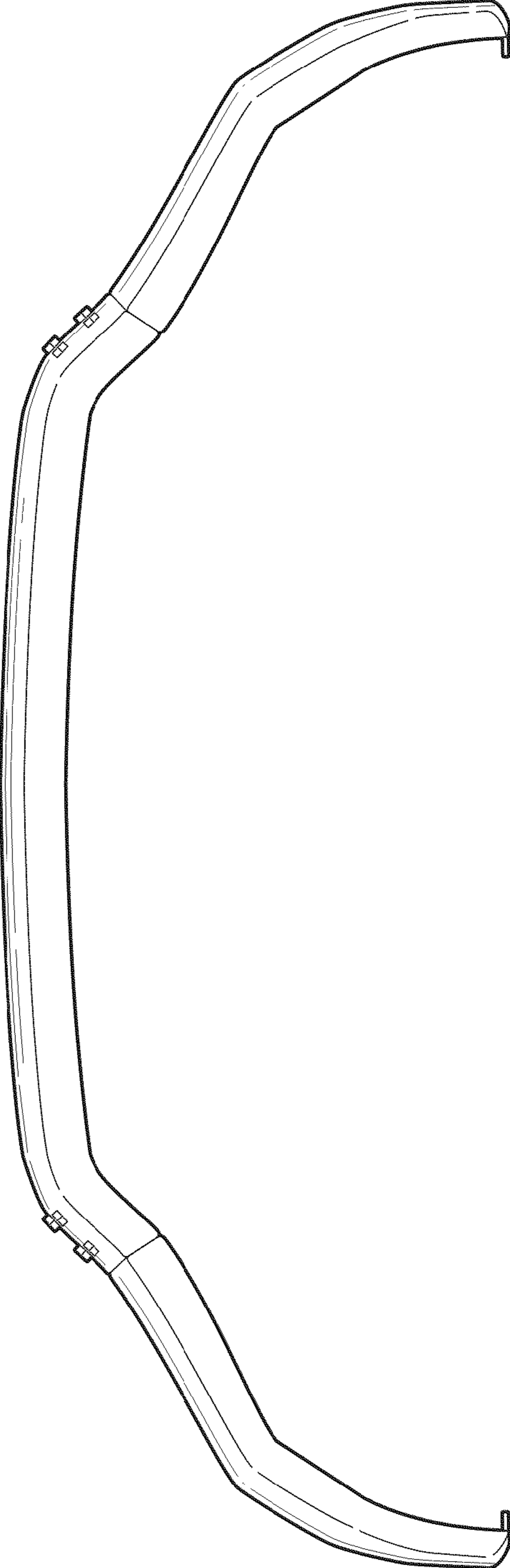
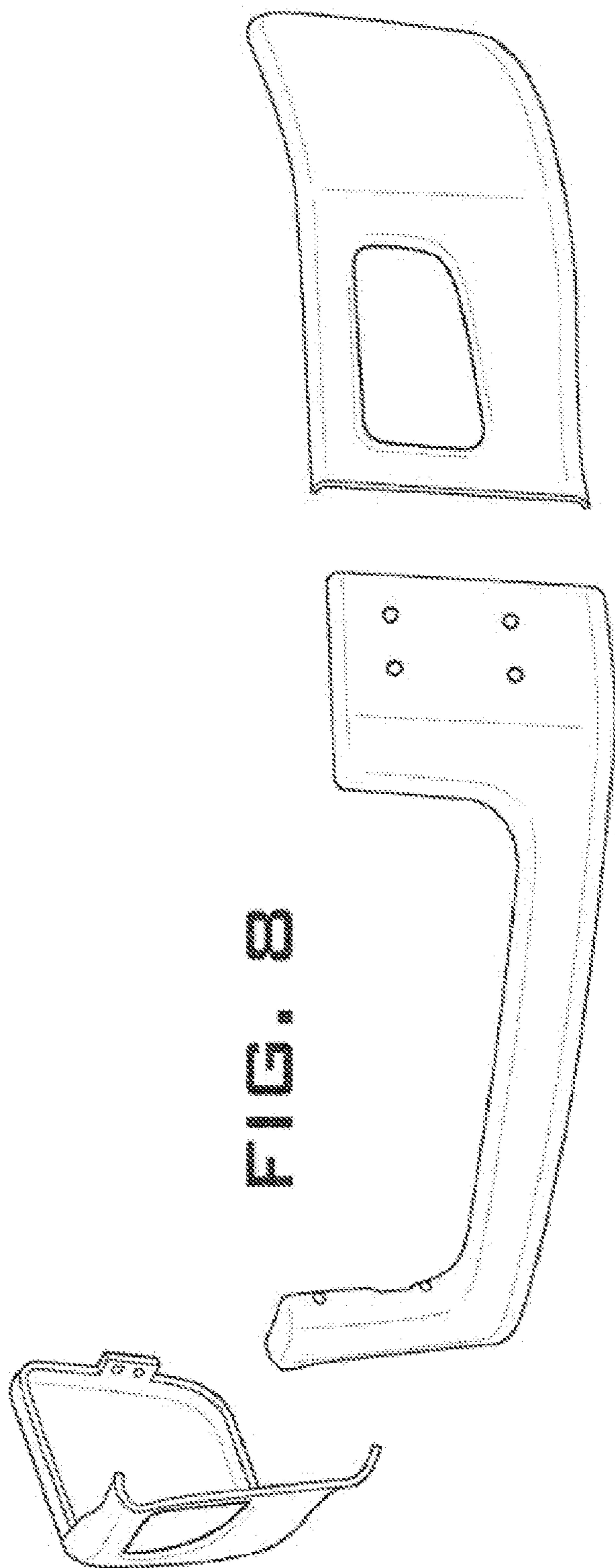




FIG. 7





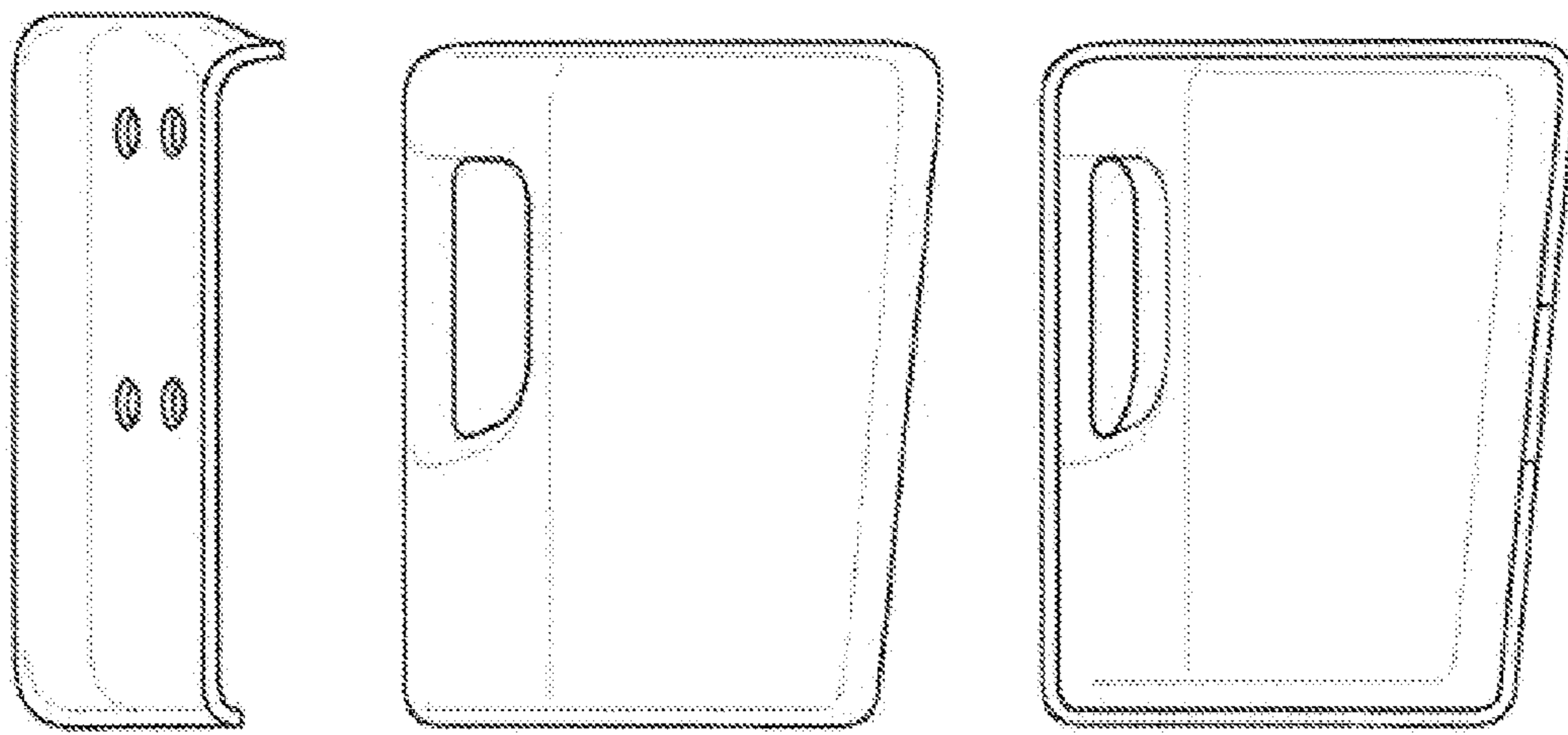


FIG. 9

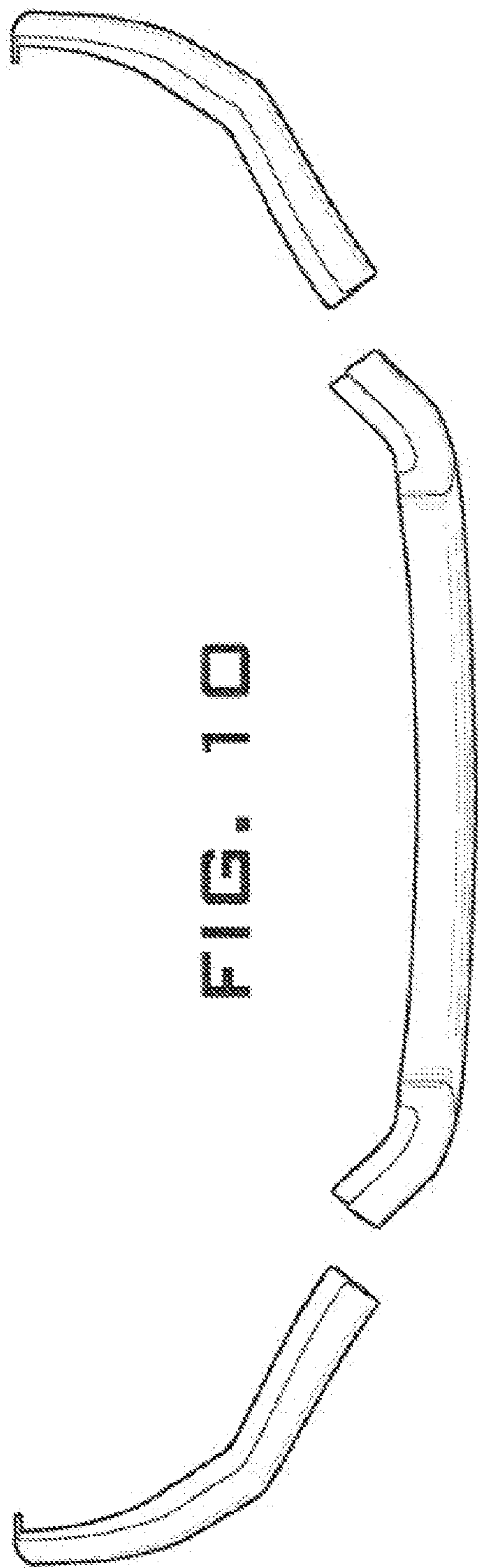
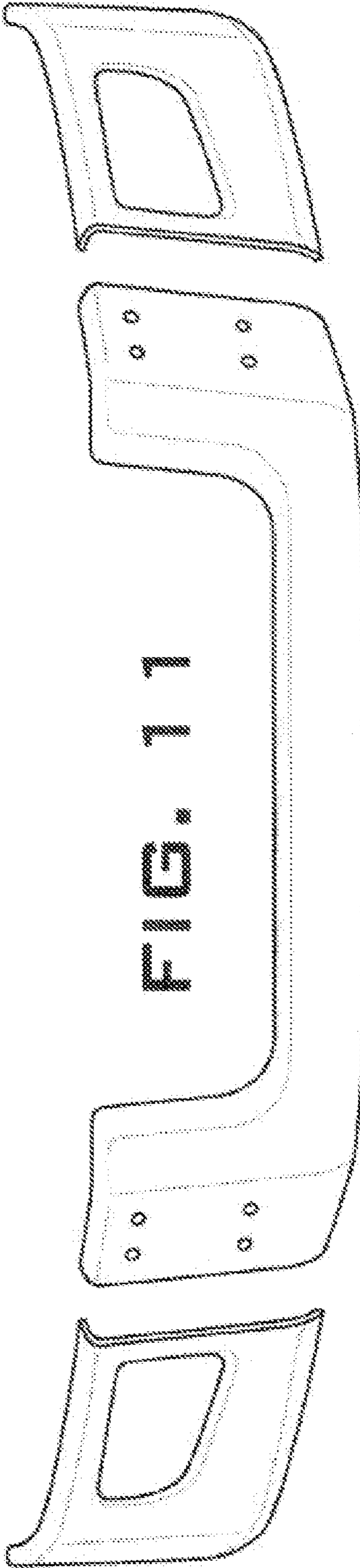


FIG. 10



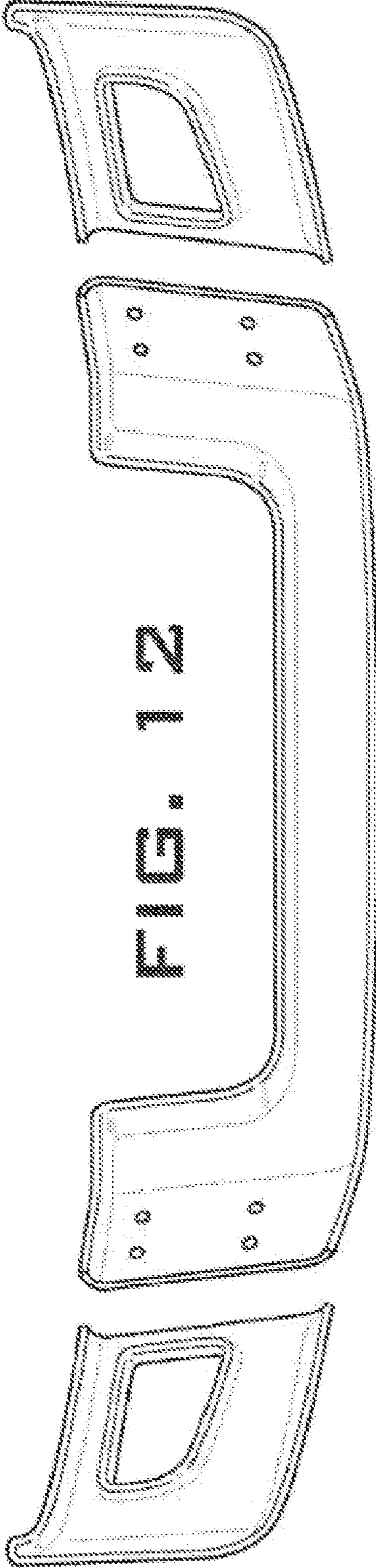


FIG. 12

FIG. 13

