



US00D655646S

(12) **United States Design Patent**
Hamada et al.

(10) **Patent No.:** **US D655,646 S**
(45) **Date of Patent:** **** Mar. 13, 2012**

(54) **SLIDER FOR SLIDE FASTENER**
(75) Inventors: **Yoshikazu Hamada**, Toyama-ken (JP);
Yohei Miyazaki, Toyama-ken (JP)
(73) Assignee: **YKK Corporation** (JP)

D497,836 S * 11/2004 Iwase D11/221
D511,316 S * 11/2005 Hamada et al. D11/221
D511,997 S * 11/2005 Hamada D11/221
D608,247 S * 1/2010 Keyaki et al. D11/221
D643,334 S * 8/2011 Iwase D11/221
D643,776 S * 8/2011 Keyaki et al. D11/221

(**) Term: **14 Years**
(21) Appl. No.: **29/398,057**

FOREIGN PATENT DOCUMENTS
JP 712718-3 3/1992
* cited by examiner

(22) Filed: **Jul. 26, 2011**

Primary Examiner — Ralf Seifert
(74) *Attorney, Agent, or Firm* — Kilpatrick Townsend & Stockton LLP

(30) **Foreign Application Priority Data**
Jan. 26, 2011 (JP) D2011-001589
(51) **LOC (9) Cl.** **02-07**
(52) **U.S. Cl.** **D11/221**
(58) **Field of Classification Search** D11/200,
D11/201, 221; 24/381–383, 385–387, 414–417,
24/421–422, 427–431, 433; 2/265
See application file for complete search history.

(57) **CLAIM**
The ornamental design for a slider for slide fastener, as shown and described.

(56) **References Cited**
U.S. PATENT DOCUMENTS
D313,953 S * 1/1991 Minami D11/221
D380,988 S * 7/1997 Mizuno D11/221
D437,805 S * 2/2001 Yoneoka D11/221
D441,319 S * 5/2001 Yoneoka D11/221
D484,829 S * 1/2004 Yamamoto et al. D11/221
D497,835 S * 11/2004 Yoneoka et al. D11/221

DESCRIPTION
FIG. 1 is a perspective view of the top, front and left side of a slider for slide fastener showing our new design;
FIG. 2 is a front view thereof;
FIG. 3 is a rear view thereof;
FIG. 4 is a top plan view thereof;
FIG. 5 is a bottom view thereof; and,
FIG. 6 is a right side view thereof, the left side view being mirror image thereof.
The portions of the article in broken lines are shown for illustrative purposes only and form no part of the claimed design.

1 Claim, 4 Drawing Sheets

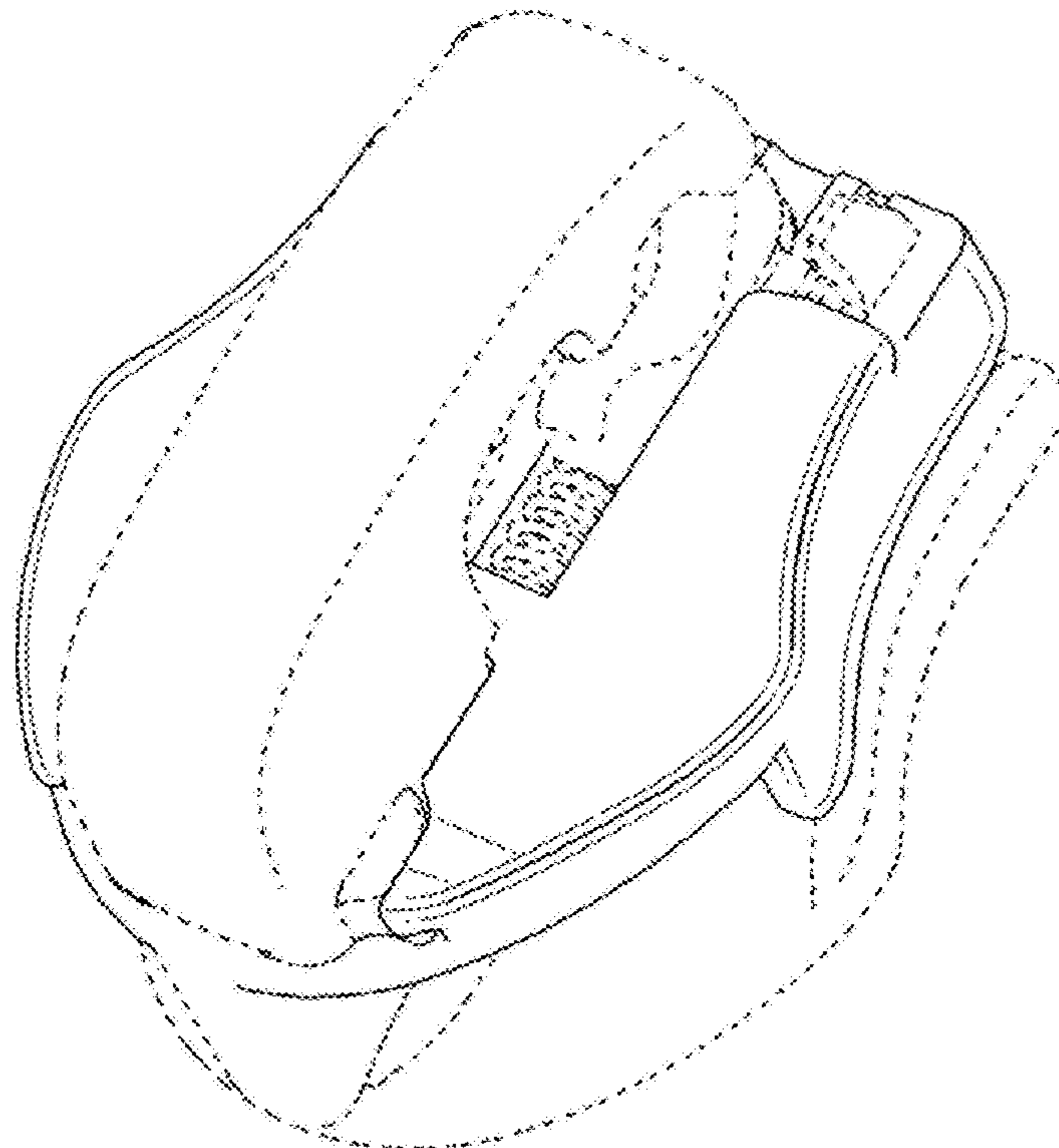


Fig. 1

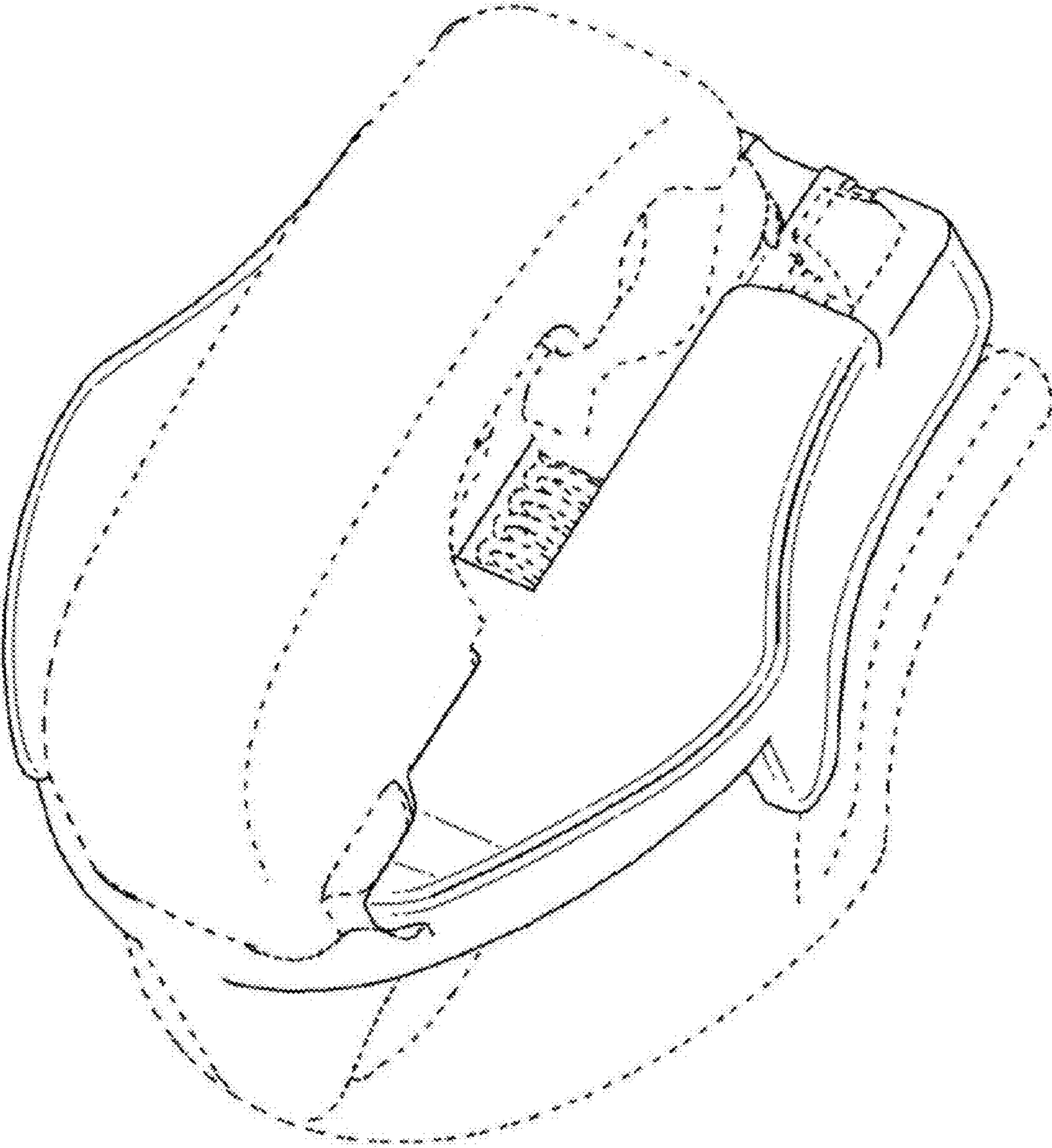


Fig. 2

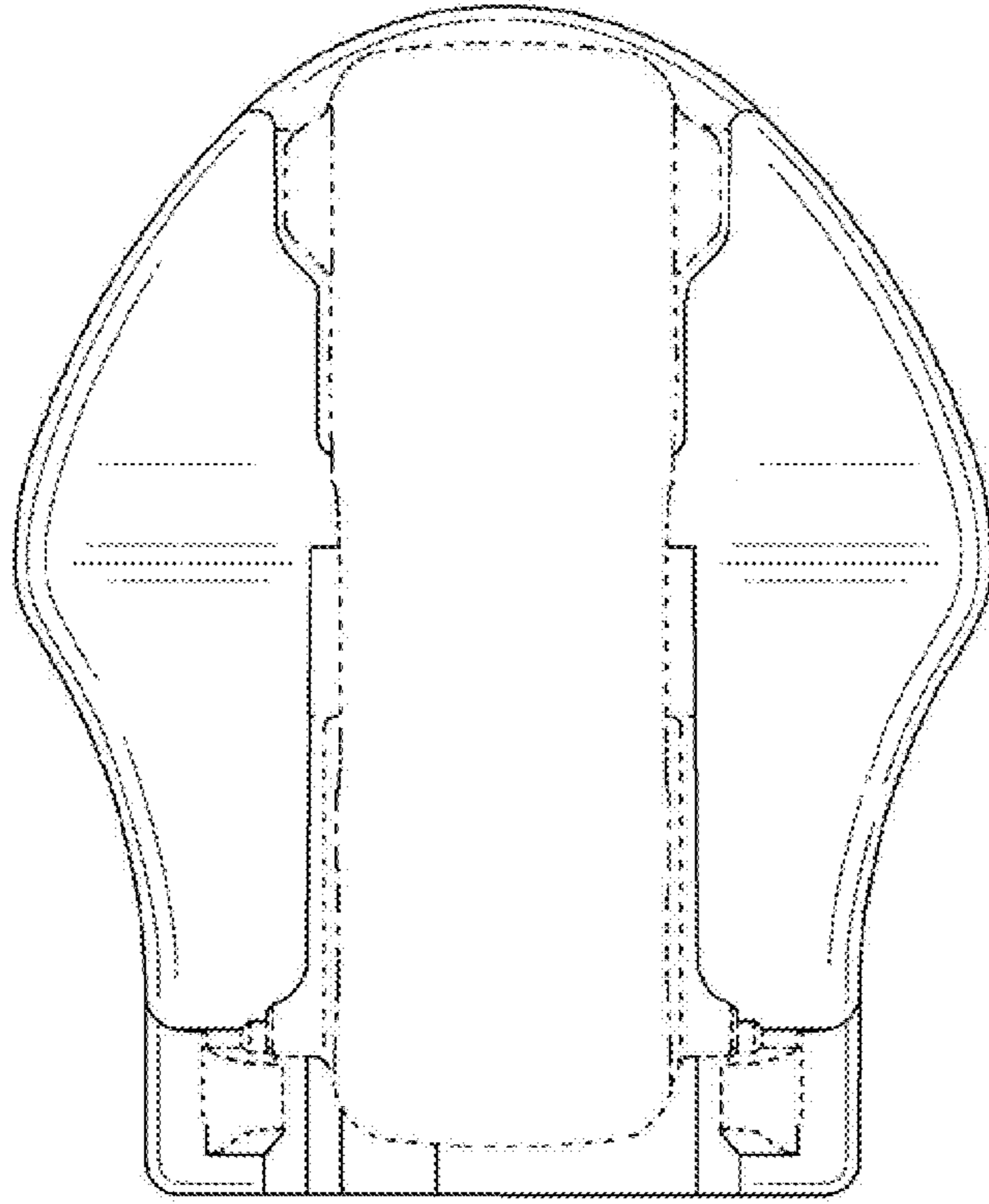


Fig. 3

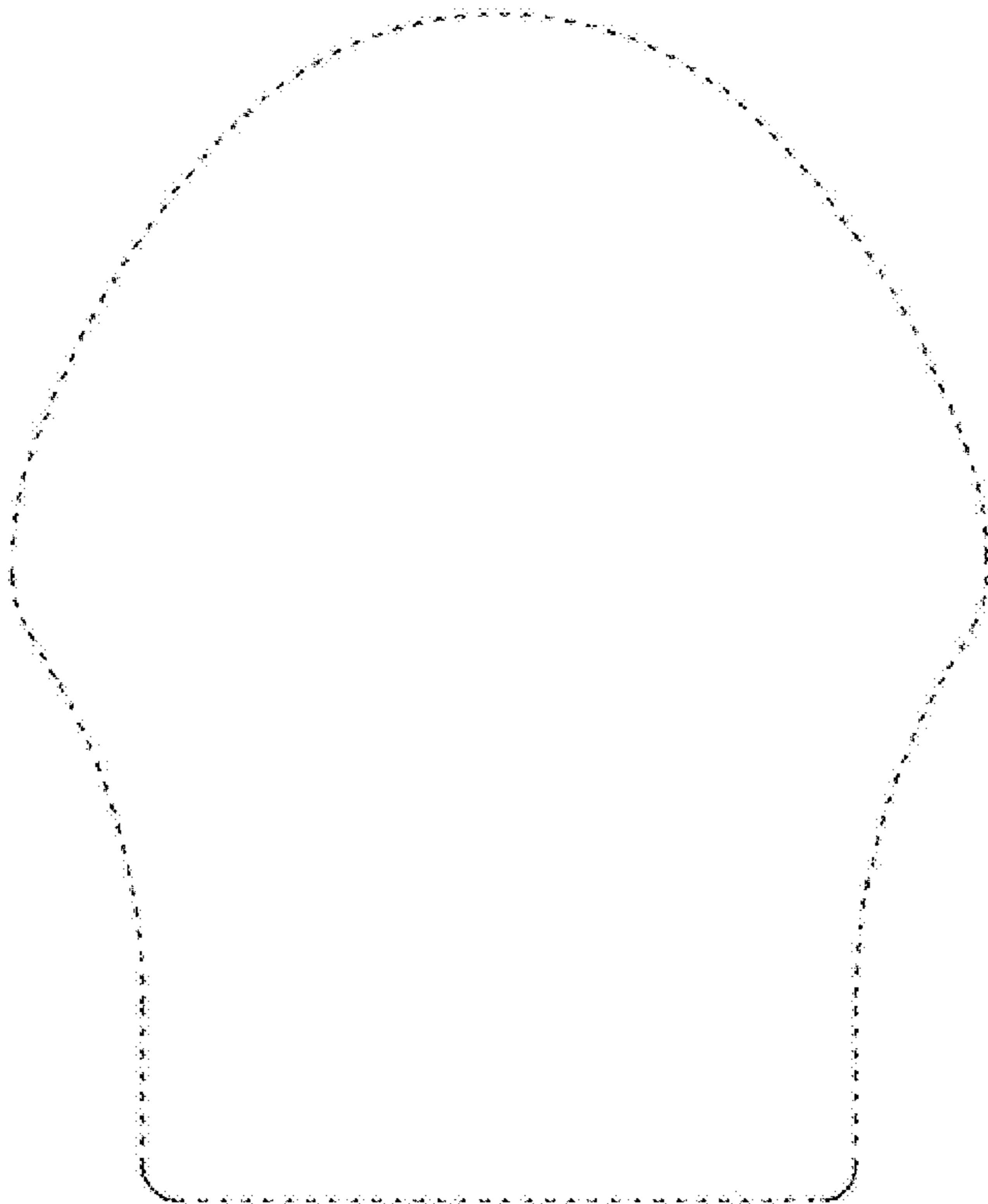


Fig. 4

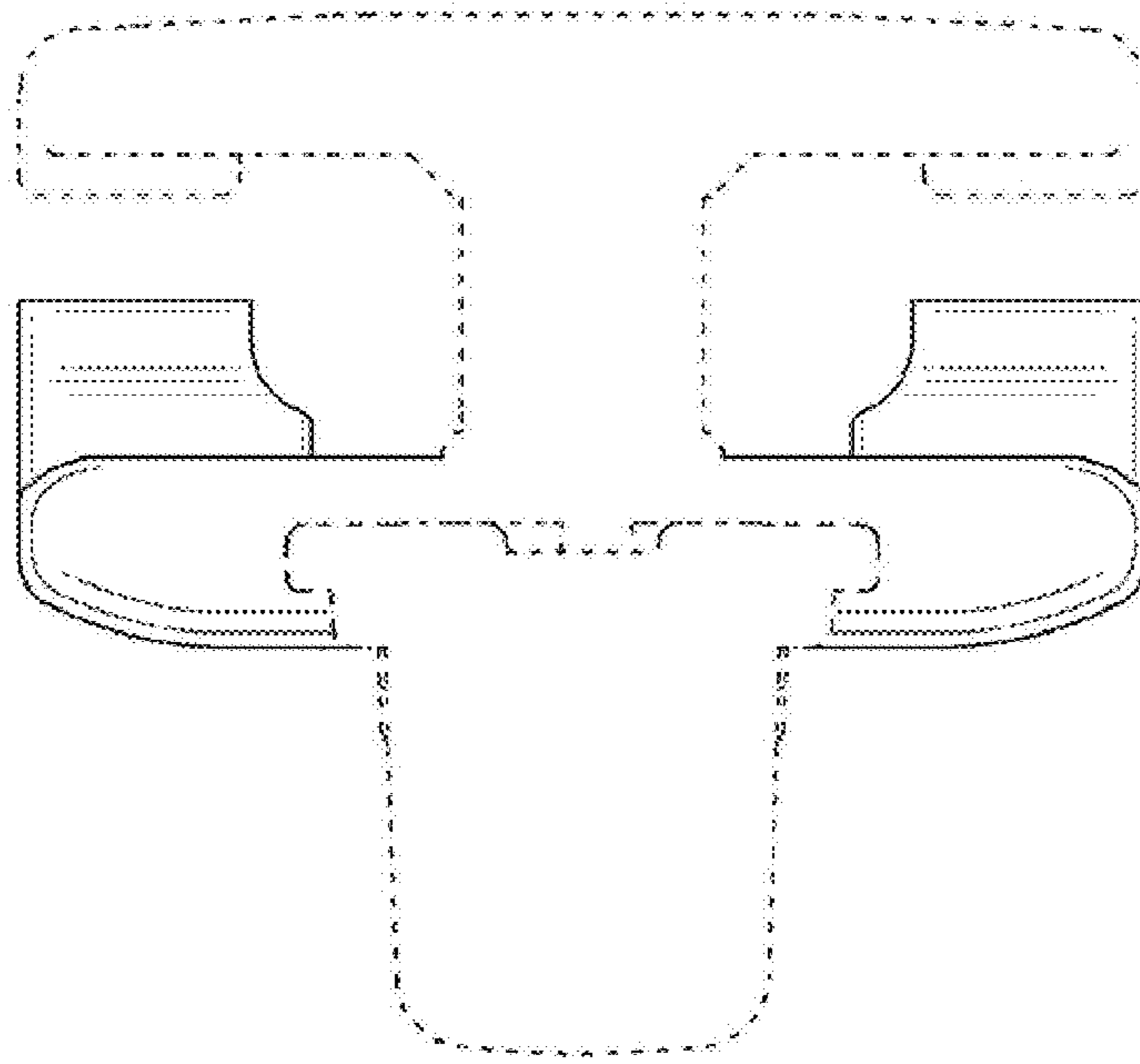


Fig. 5

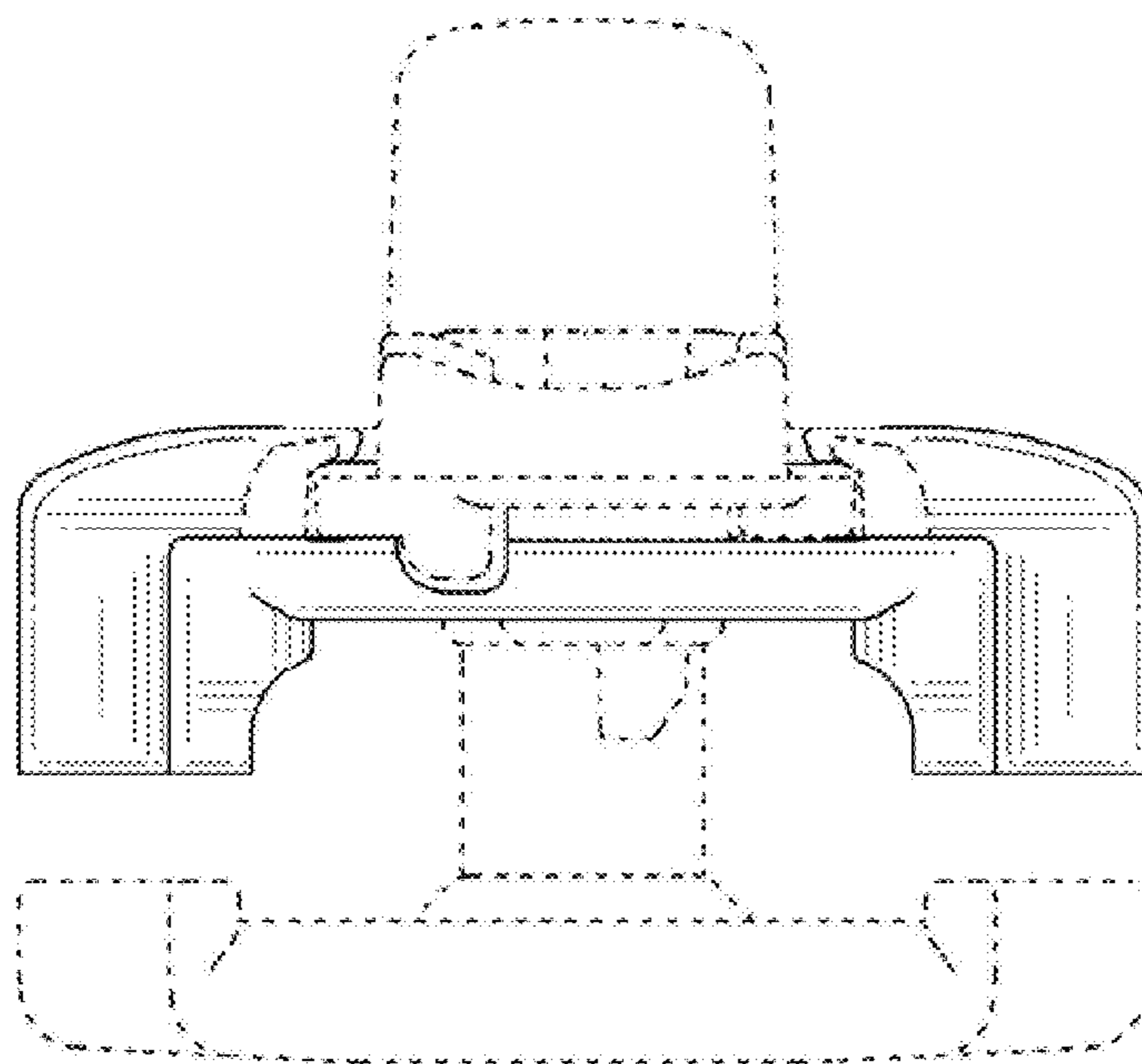


Fig. 6

