



US00D655641S

(12) **United States Design Patent**  
**Richter et al.**

(10) **Patent No.:** **US D655,641 S**  
(45) **Date of Patent:** **\*\* Mar. 13, 2012**

(54) **DECORATIVE BADGE**

(75) Inventors: **Gary M. Richter**, Waukesha, WI (US);  
**Lee A. Gettelfinger**, Mequon, WI (US)

(73) Assignee: **DCI Marketing, Inc.**, Milwaukee, WI  
(US)

(\*\*) Term: **14 Years**

(21) Appl. No.: **29/363,042**

(22) Filed: **Jun. 3, 2010**

(51) **LOC (9) Cl.** ..... **11-03**

(52) **U.S. Cl.** ..... **D11/95**

(58) **Field of Classification Search** ..... D11/1,  
D11/2, 40-79, 95-116, 131, 157, 81, 179;  
63/1.11, 1.12, 1.13, 1.14, 1.16, 1.18, 13,  
63/14.1, 35, 39; D12/190, 197; D7/402;  
D20/42

See application file for complete search history.

(56) **References Cited**

**U.S. PATENT DOCUMENTS**

D393,617 S *	4/1998	Smith et al.	.....	D12/197
D464,907 S	10/2002	Jacobs		
6,986,918 B2	1/2006	Jacobs		
D534,764 S *	1/2007	Debord et al.	.....	D7/402
D546,254 S *	7/2007	Teng	.....	D12/190
D546,255 S *	7/2007	Teng	.....	D12/190
D557,345 S *	12/2007	Yates	.....	D20/42
D575,663 S *	8/2008	Hayden	.....	D11/79

D579,393 S *	10/2008	Yoon	.....	D12/197
D599,246 S *	9/2009	Rudes	.....	D11/100
D616,787 S *	6/2010	Czach et al.	.....	D11/95

\* cited by examiner

*Primary Examiner* — T. Chase Nelson

*Assistant Examiner* — Mark Cavanna

(74) *Attorney, Agent, or Firm* — Godfrey & Kahn, S.C.;  
Brian G. Gilpin

(57) **CLAIM**

We claim the ornamental design for a decorative badge, as shown and described.

**DESCRIPTION**

FIG. 1 is a perspective view of a decorative badge showing our new design;

FIG. 2 is a front view of the decorative badge;

FIG. 3 is a back view of the decorative badge;

FIG. 4 is a top view of the decorative badge;

FIG. 5 is a bottom view of the decorative badge;

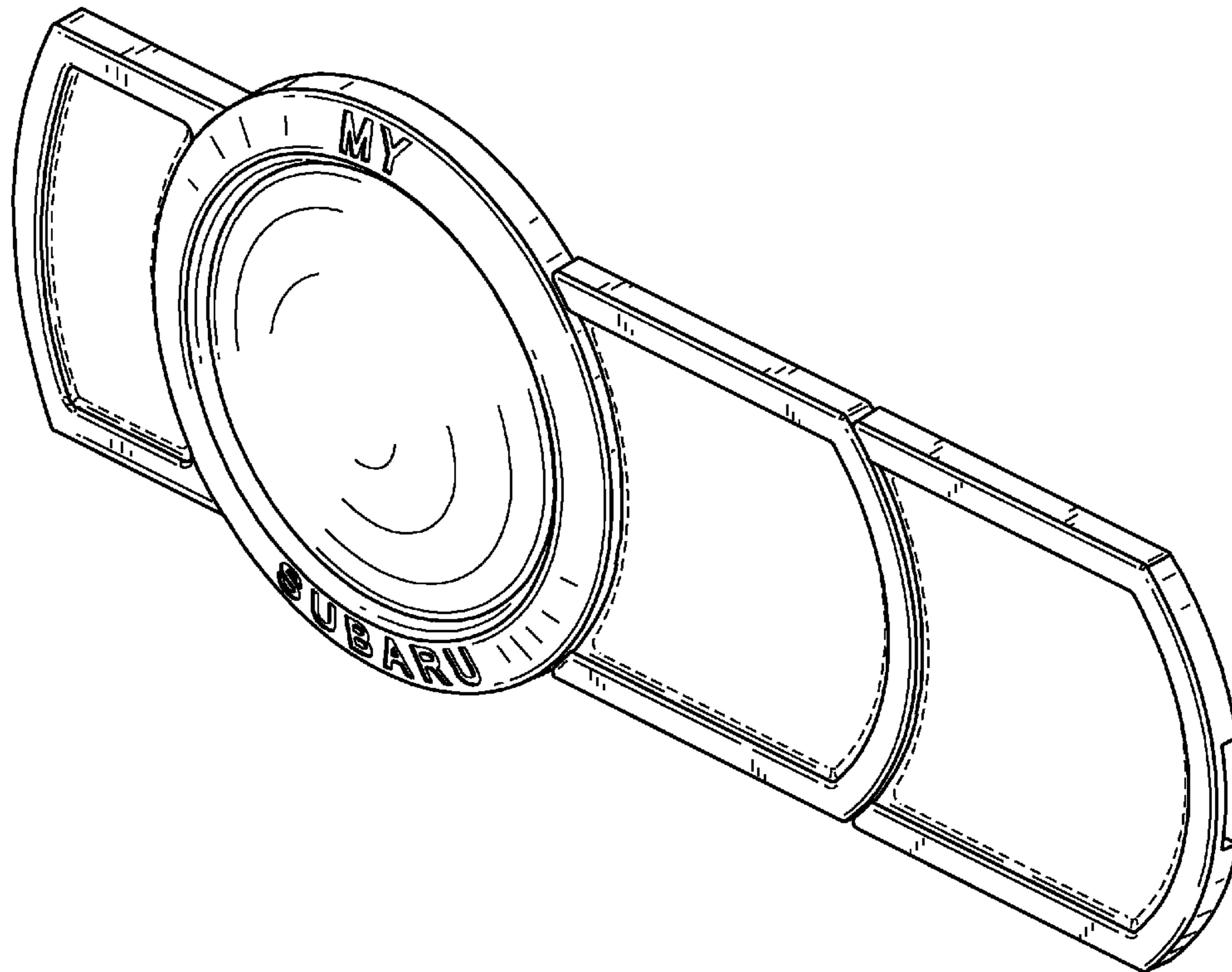
FIG. 6 is a left side view of the decorative badge; and,

FIG. 7 is a right side view of the decorative badge.

The broken lines are included for the purpose of illustrating unclaimed portions of the decorative badge and form no part of the claimed design.

The word "SUBARU" forming part of the claimed design is a registered trademark of Fuji Jukogyo Kabushiki Kaisha (also trading as Fuji Heavy Industries Ltd.).

**1 Claim, 3 Drawing Sheets**



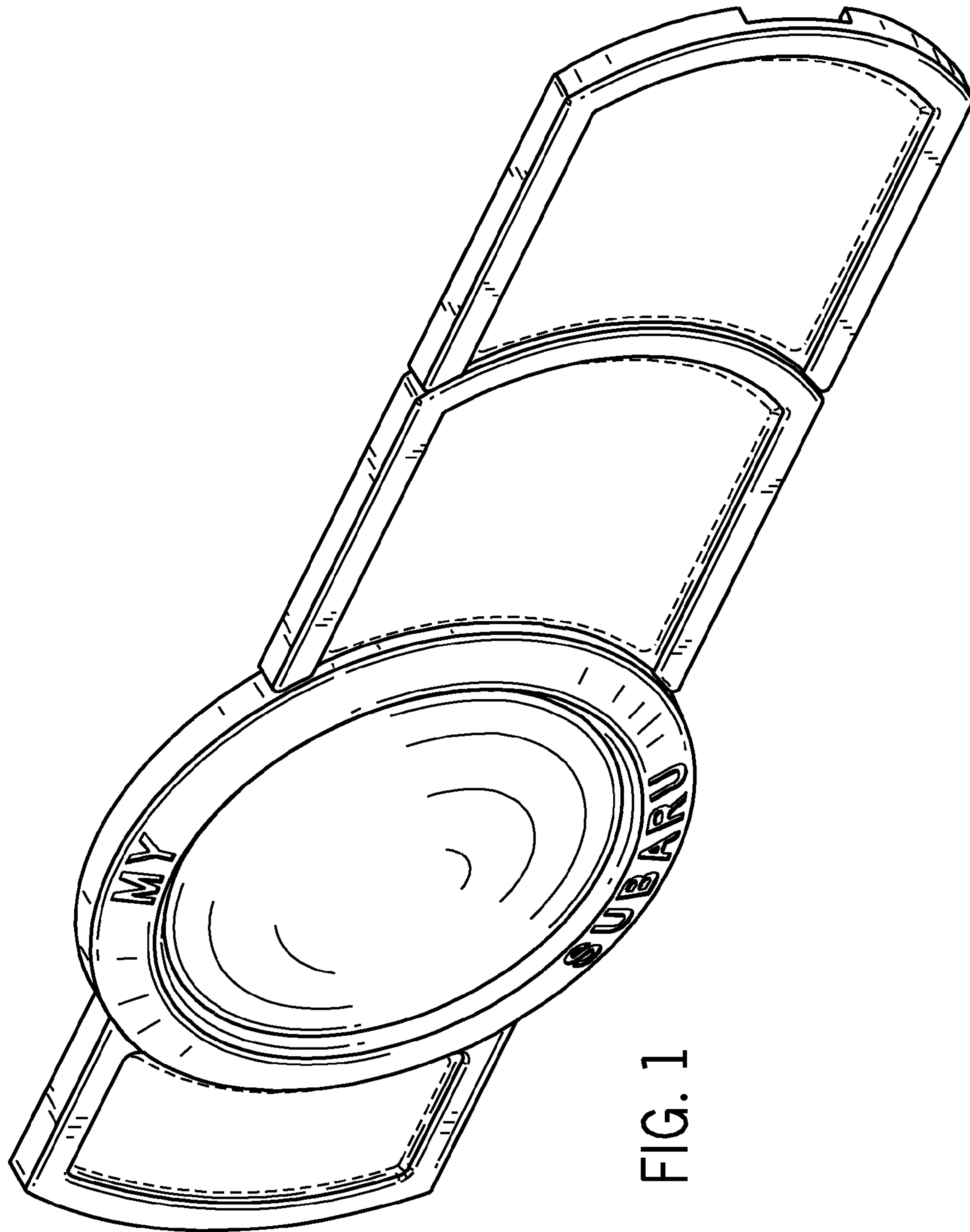


FIG. 1

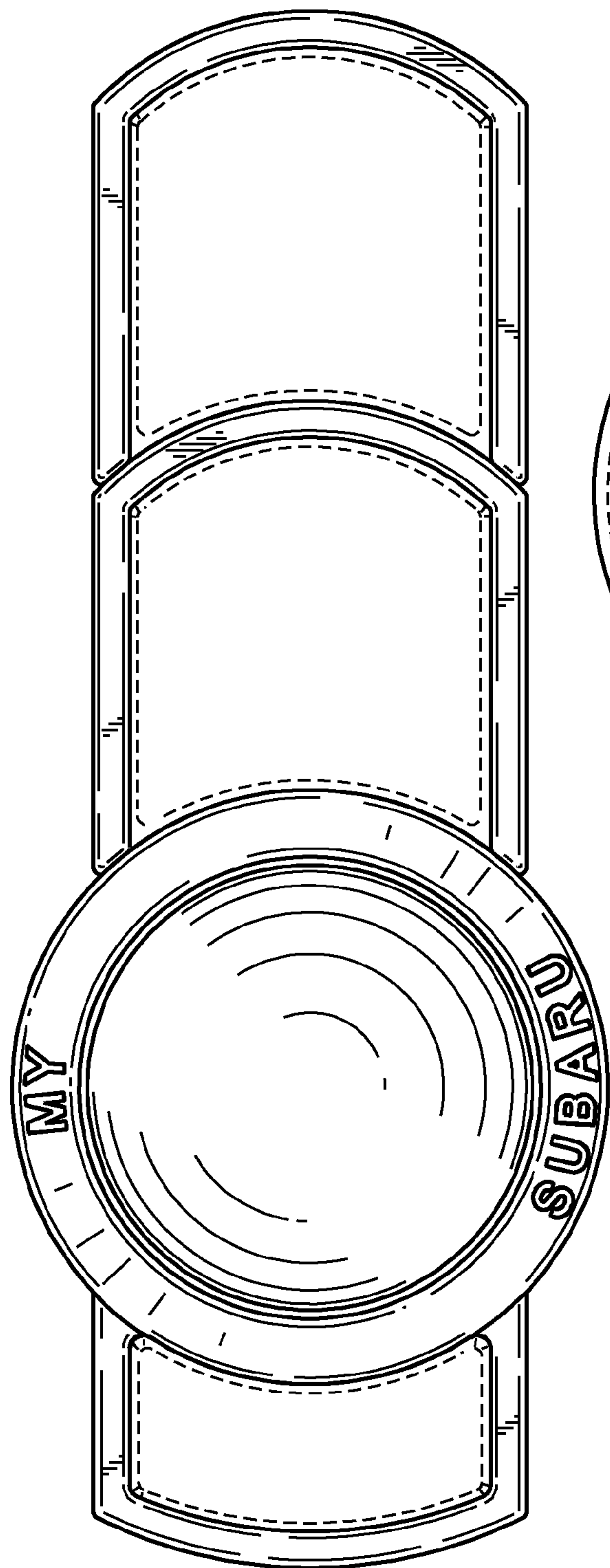


FIG. 2

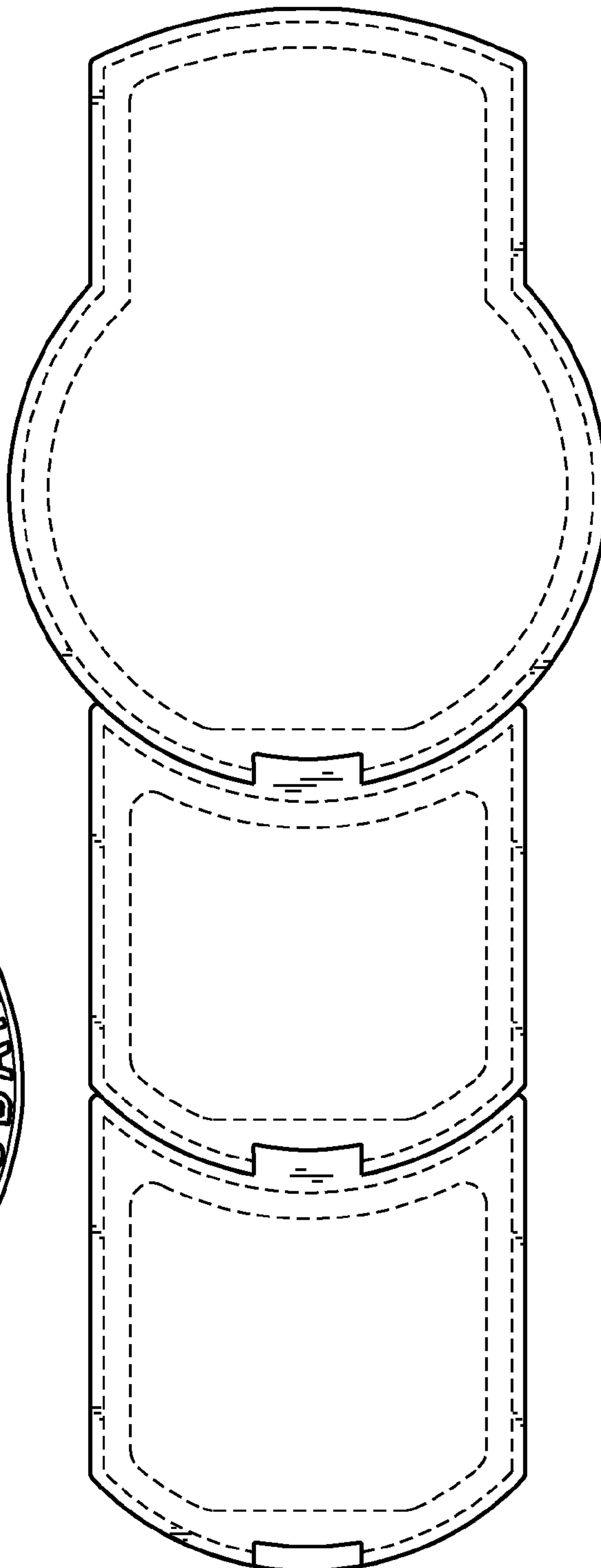


FIG. 3



FIG. 4

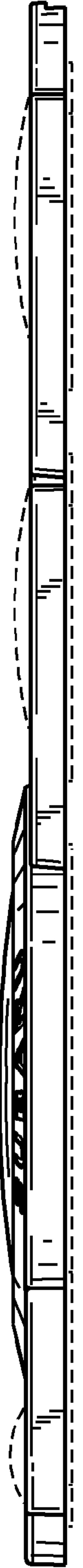


FIG. 5

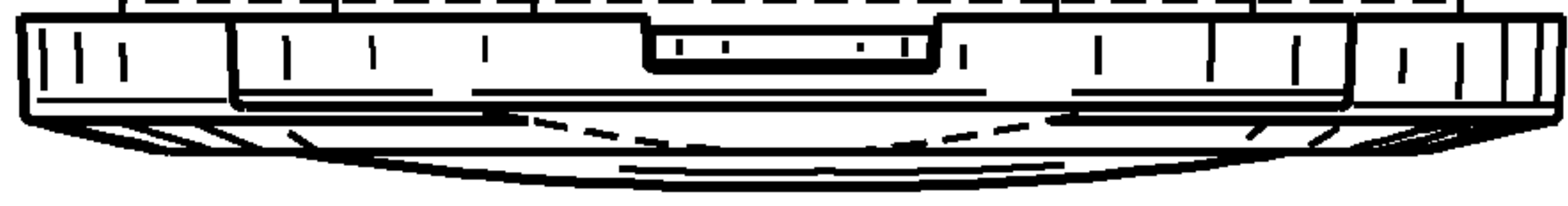


FIG. 7



FIG. 6