



US00D655639S

(12) **United States Design Patent**  
**Huynh**

(10) **Patent No.:** **US D655,639 S**

(45) **Date of Patent:** **\*\* Mar. 13, 2012**

(54) **INTERCHANGEABLE JEWELRY**

(76) Inventor: **Chi Huynh**, San Dimas, CA (US)

(\*\*) Term: **14 Years**

(21) Appl. No.: **29/351,579**

(22) Filed: **Dec. 8, 2009**

(51) **LOC (9) Cl.** ..... **11-01**

(52) **U.S. Cl.** ..... **D11/43**

(58) **Field of Classification Search** ..... D11/1-2,  
D11/7, 40-44, 46-49, 53, 57, 59-61, 63,  
D11/65, 79-90, 99; 63/18-20

See application file for complete search history.

(56) **References Cited**

U.S. PATENT DOCUMENTS

D255,885 S *	7/1980	Andrews	.....	D11/43
D428,824 S *	8/2000	Murawski	.....	D11/81
D519,599 S *	4/2006	Smith	.....	D22/144
D603,289 S *	11/2009	Lebail	.....	D11/43
D635,482 S *	4/2011	Lagnese	.....	D11/60
D635,882 S *	4/2011	Kang	.....	D11/60
D635,883 S *	4/2011	Lagnese	.....	D11/60
D636,456 S *	4/2011	Hatfield	.....	D22/144
D636,696 S *	4/2011	Lebail	.....	D11/43
D637,103 S *	5/2011	Lebail	.....	D11/43

\* cited by examiner

*Primary Examiner* — Cathron Brooks

*Assistant Examiner* — Melanie Pellegrini

(74) *Attorney, Agent, or Firm* — Biotech Beach Law Group PC

(57) **CLAIM**

I claim the ornamental design for interchangeable jewelry, as shown and described.

**DESCRIPTION**

FIG. 1 is a rear, left and bottom perspective view of interchangeable jewelry showing my new design;

FIG. 2 is a rear elevational view thereof;

FIG. 3 is a front elevational view thereof;

FIG. 4 is a left elevational view thereof;

FIG. 5 is a right elevational view thereof;

FIG. 6 is a top plan view thereof;

FIG. 7 is a bottom plan view thereof;

FIG. 8 is a top plan view taken along line 8-8 of FIG. 4;

FIG. 9 is a rear, left and bottom perspective view of a second embodiment of Interchangeable jewelry showing my new design;

FIG. 10 is a rear elevational view thereof;

FIG. 11 is a front elevational view thereof;

FIG. 12 is a left elevational view thereof;

FIG. 13 is a right elevational view thereof;

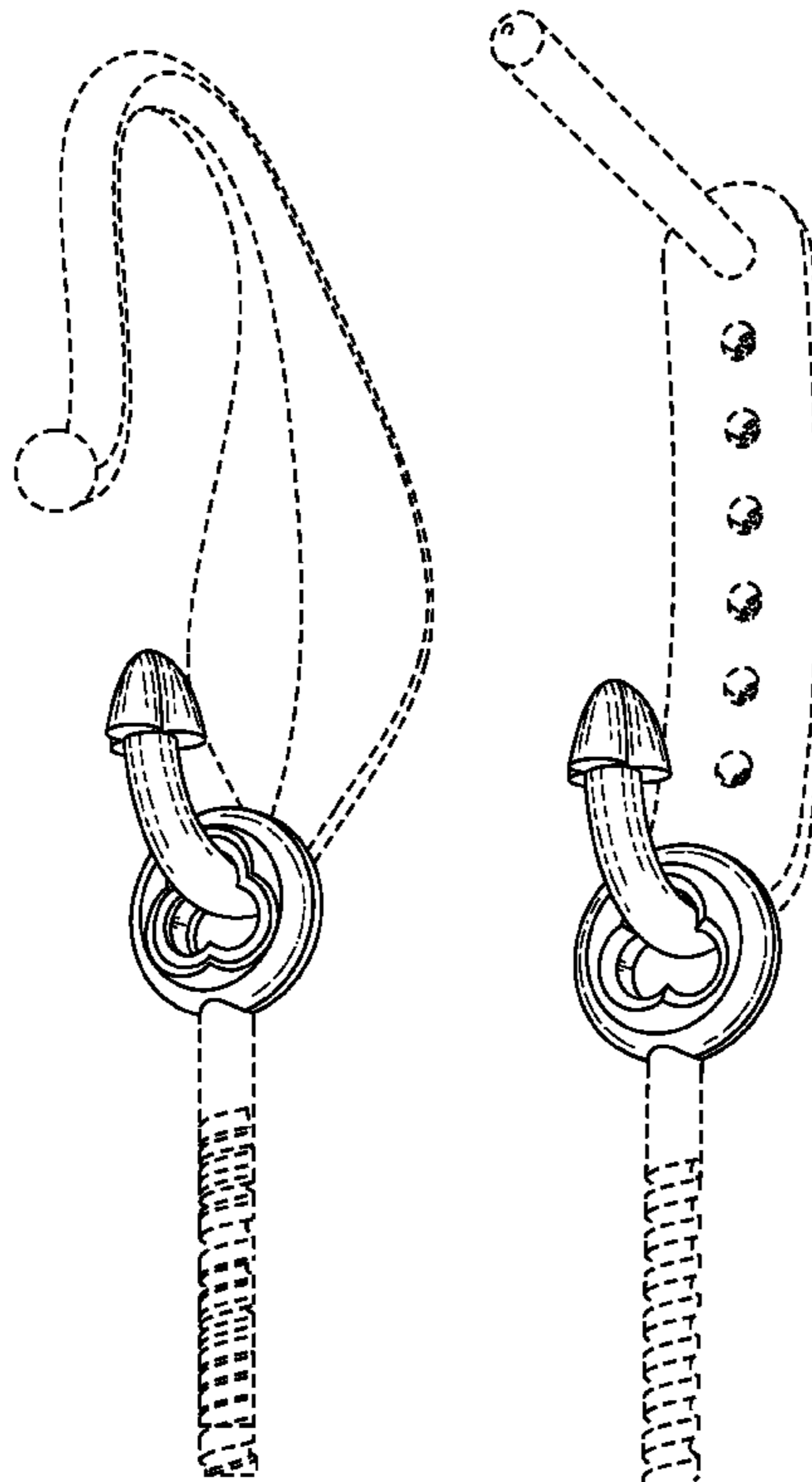
FIG. 14 is a top plan view thereof;

FIG. 15 is a bottom plan view thereof; and,

FIG. 16 is a top plan view taken along the line 16-16 of FIG. 12.

The broken lines shown in the drawings represent unclaimed portions of the Interchangeable Jewelry and form no part of the claimed design.

**1 Claim, 8 Drawing Sheets**



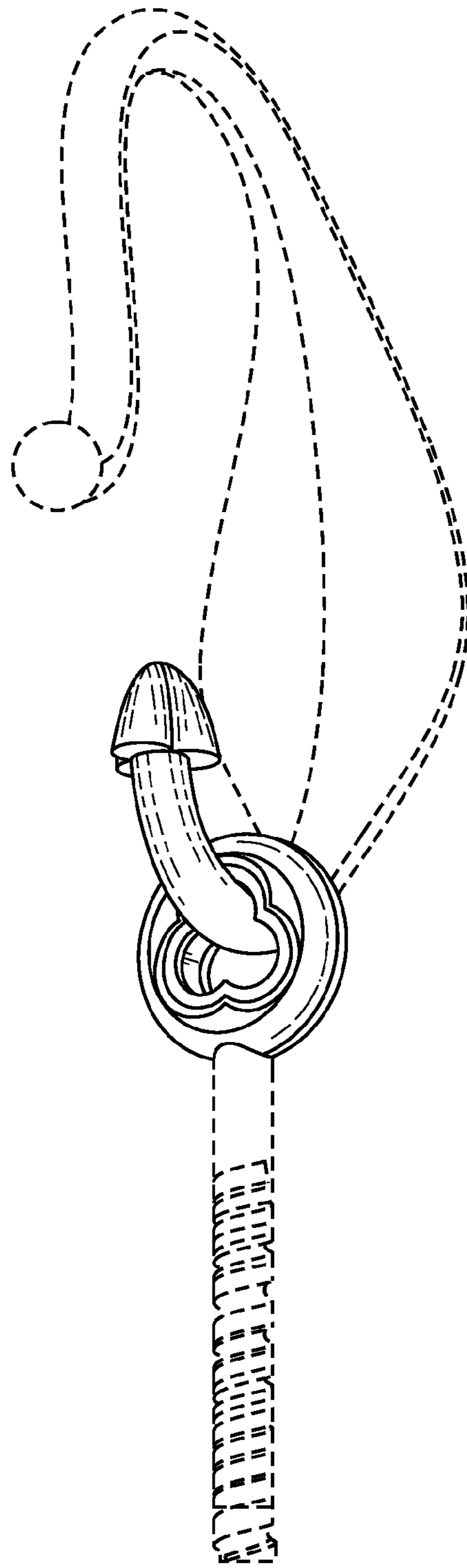


FIG. 1

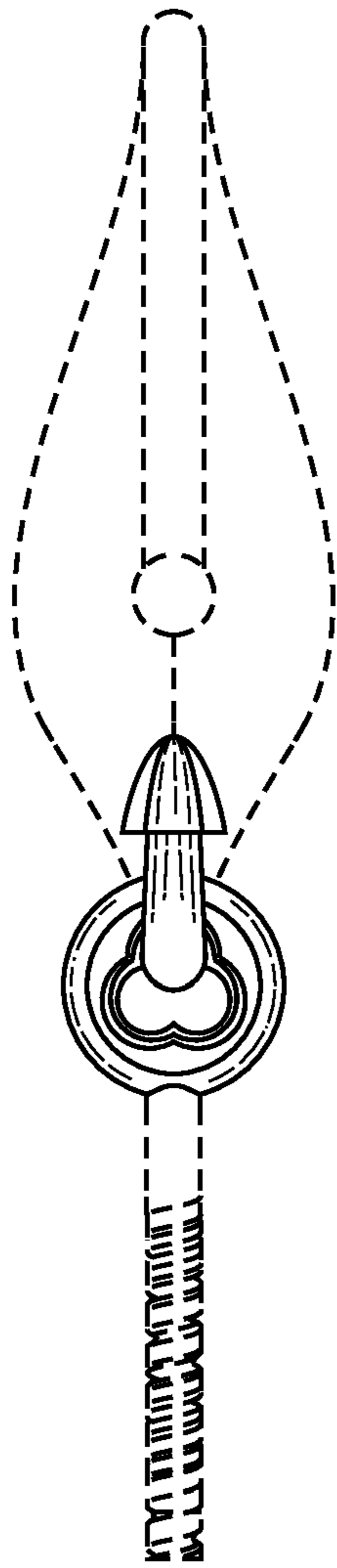


FIG. 2

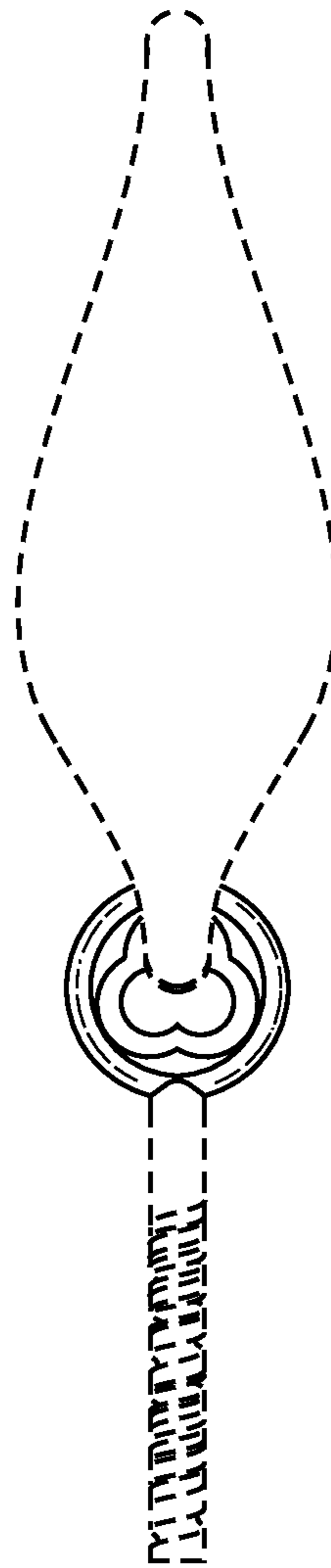


FIG. 3

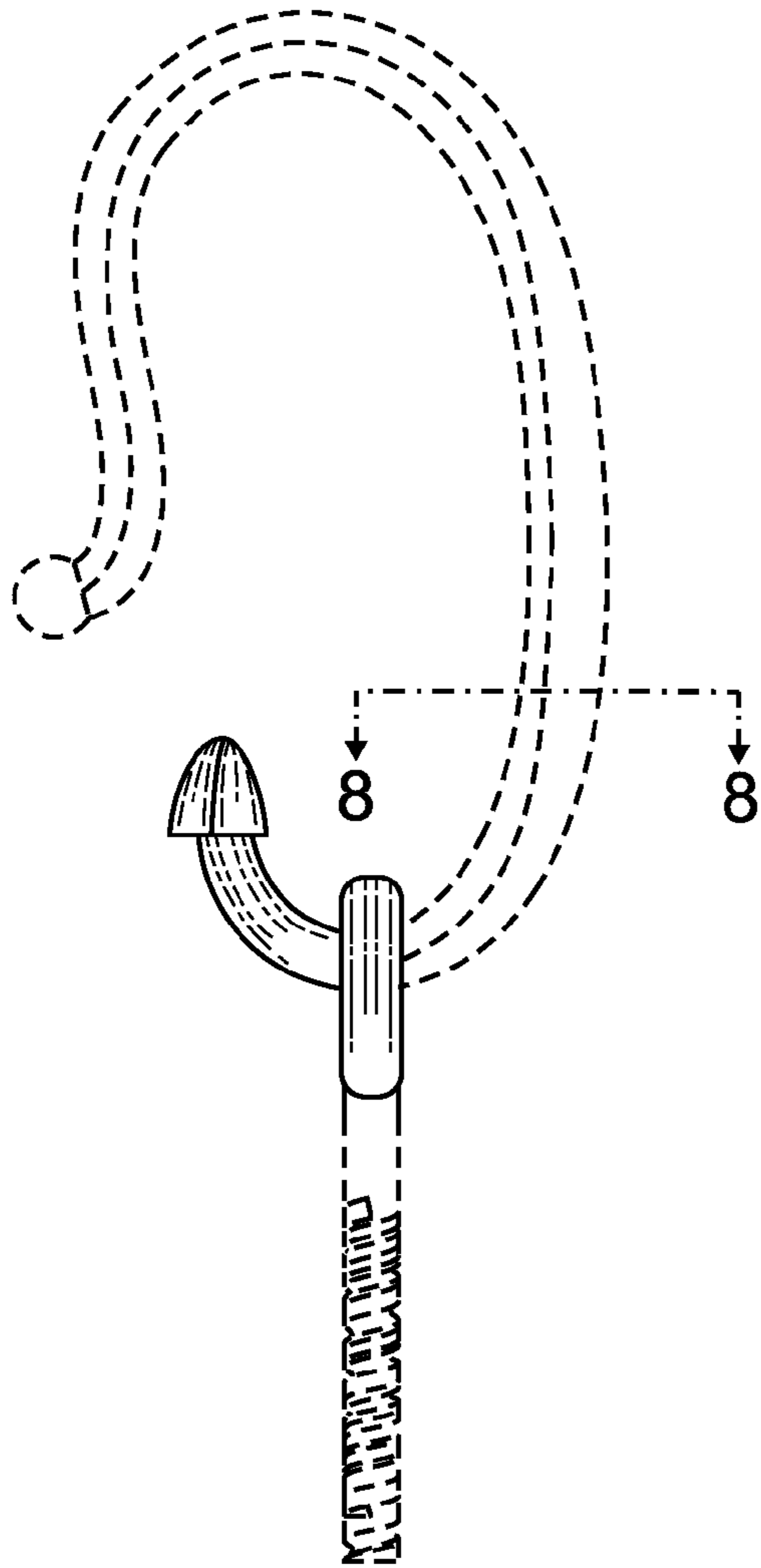


FIG. 4

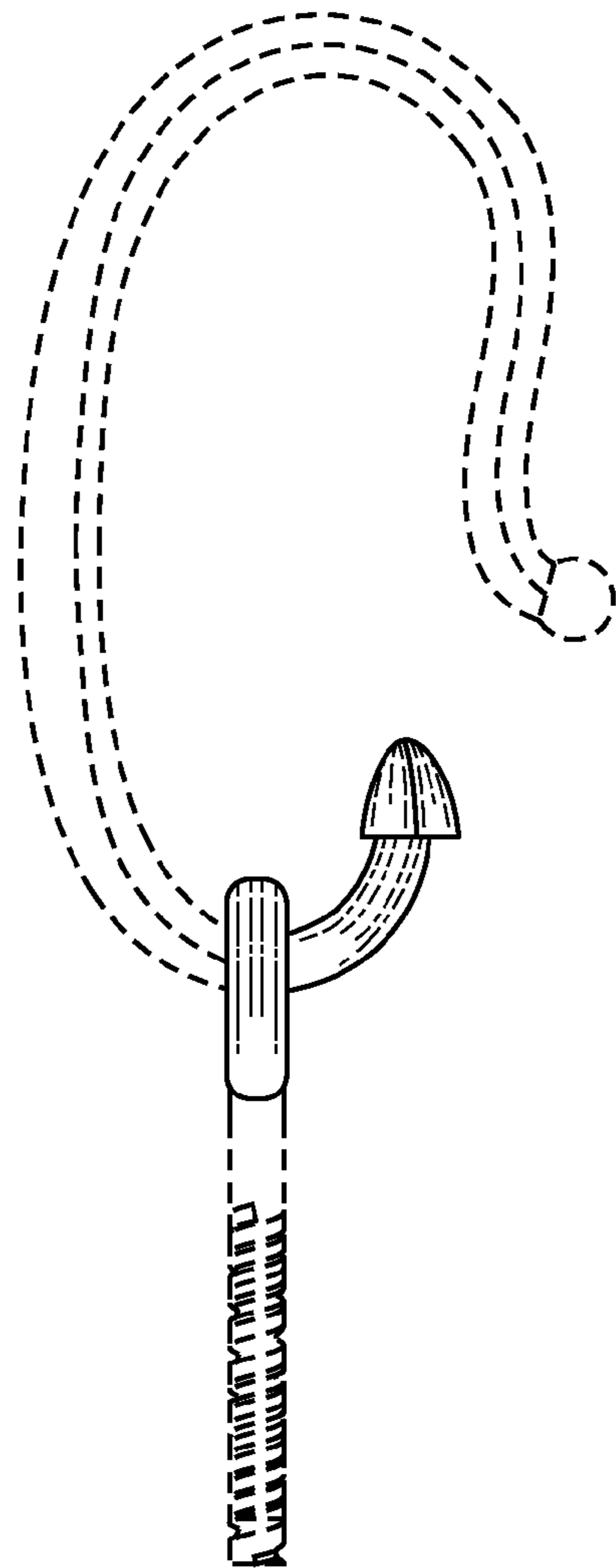


FIG. 5

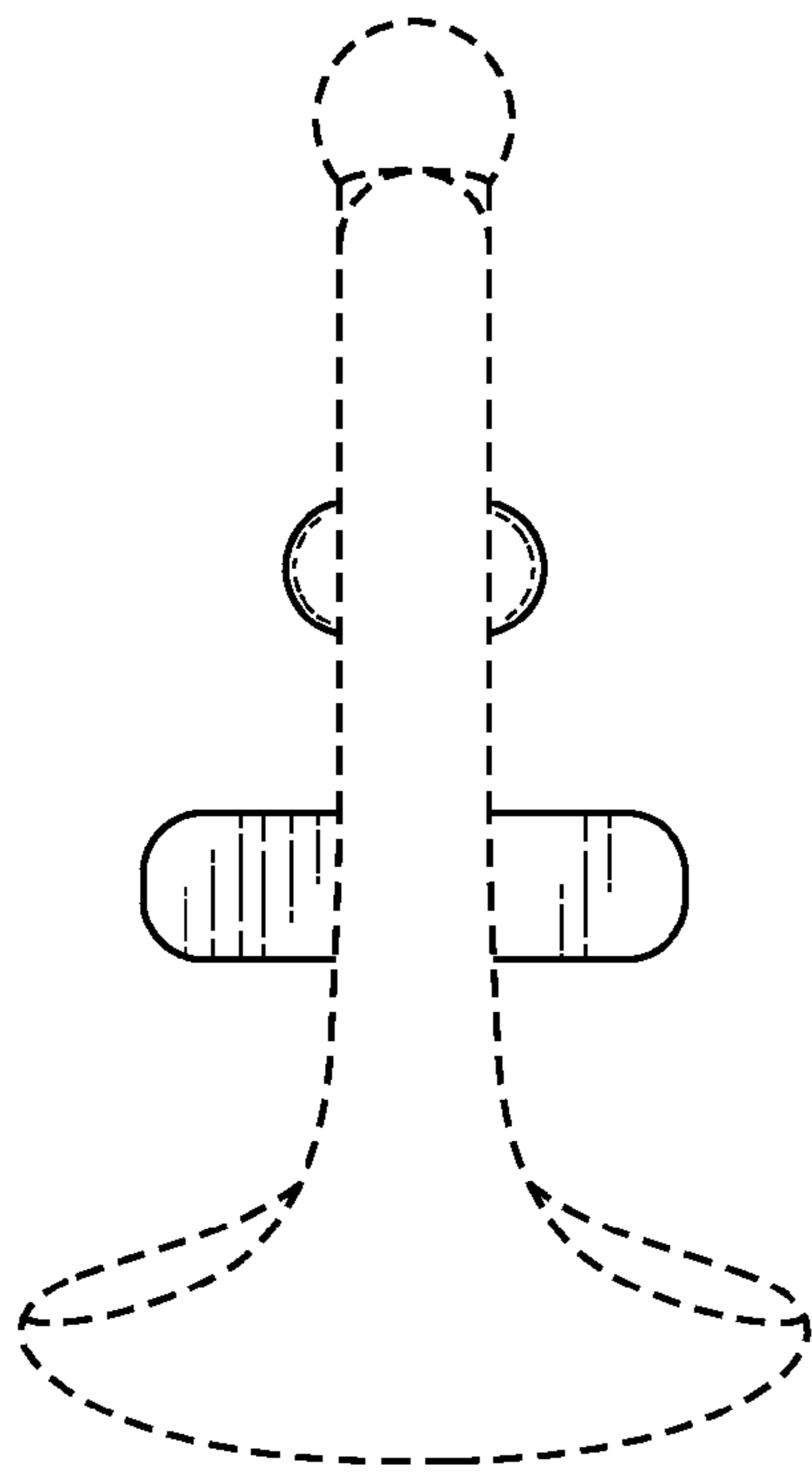


FIG. 6

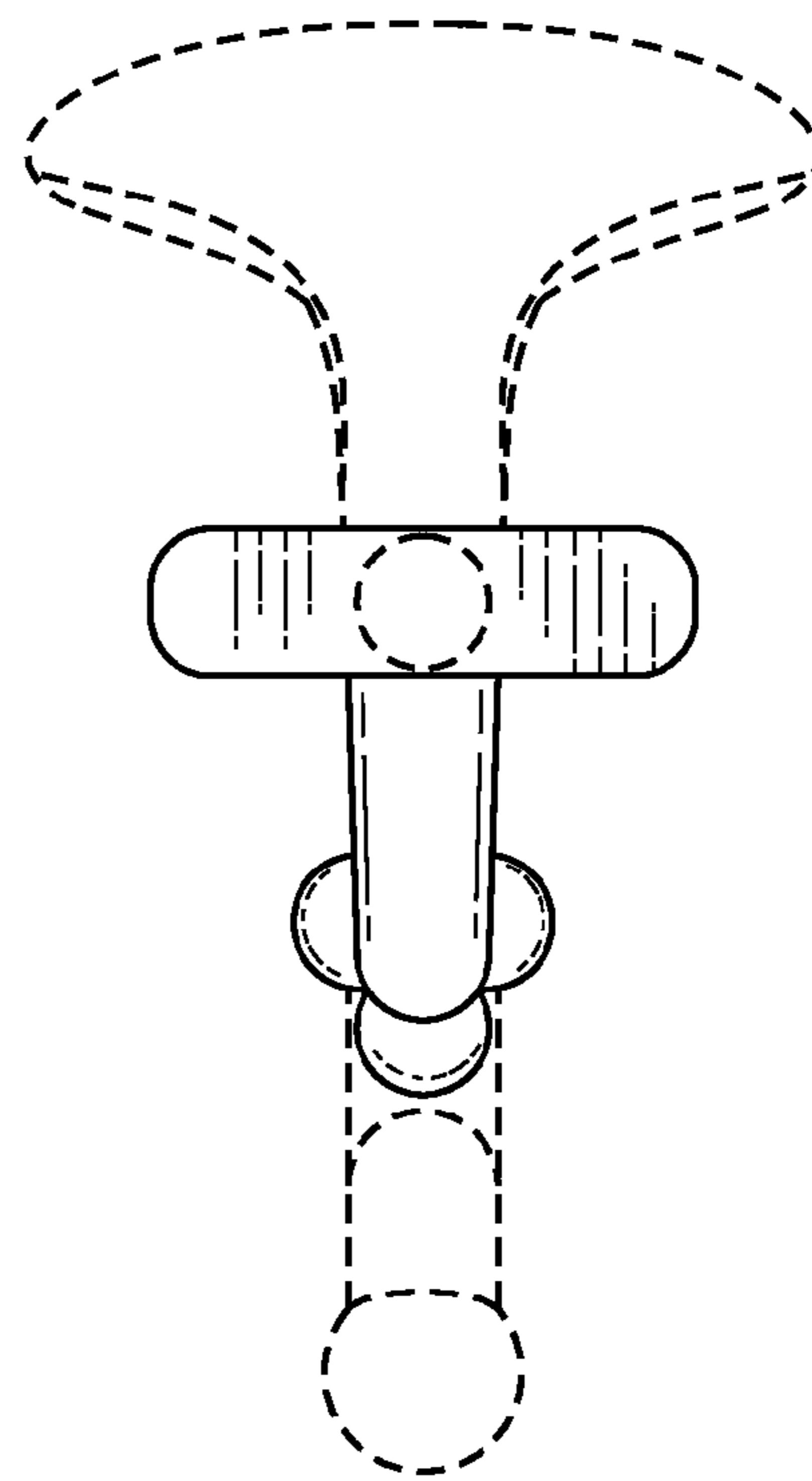


FIG. 7

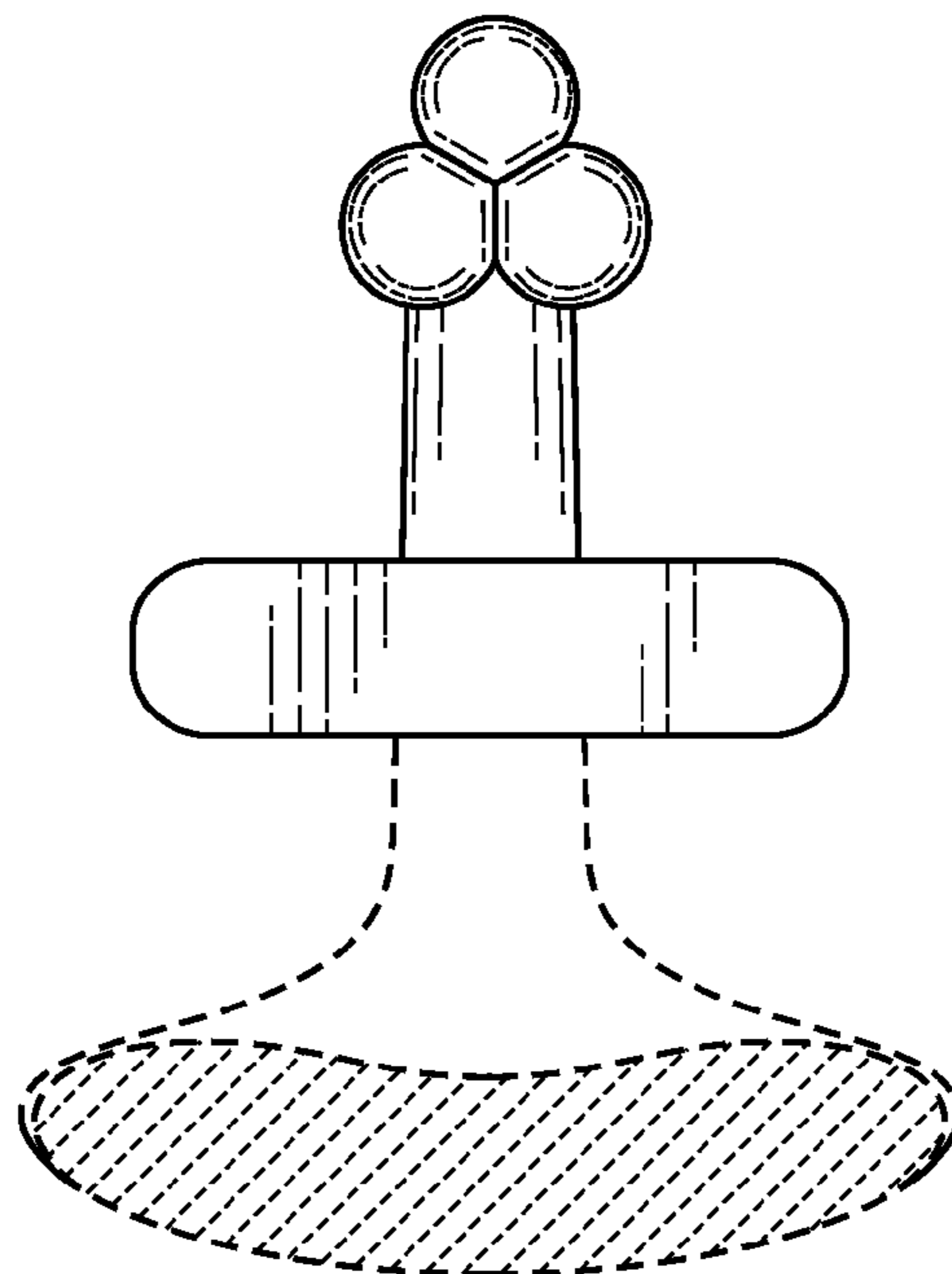


FIG. 8

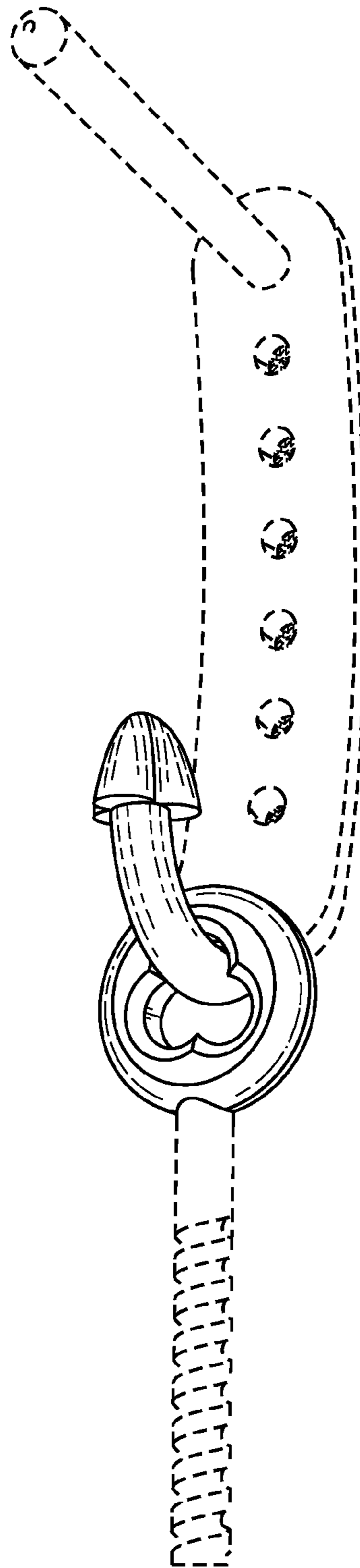


FIG. 9

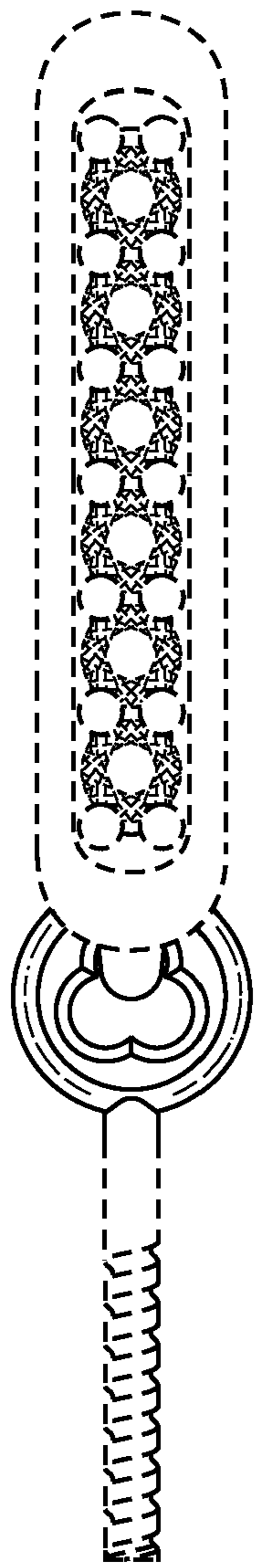


FIG. 10

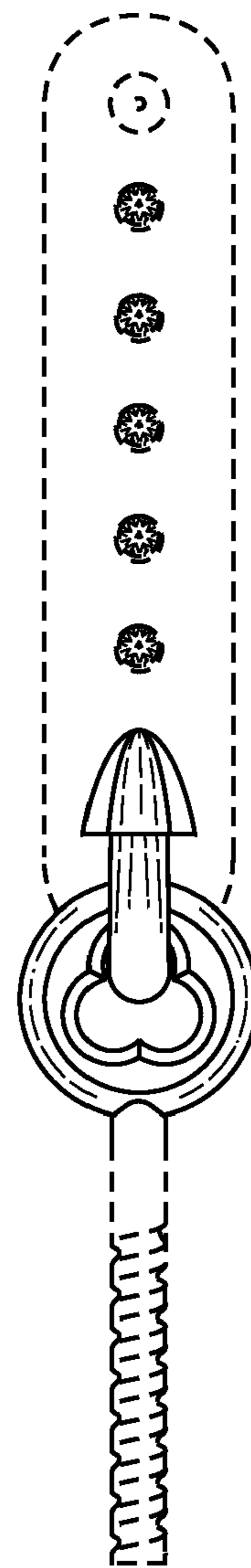


FIG. 11

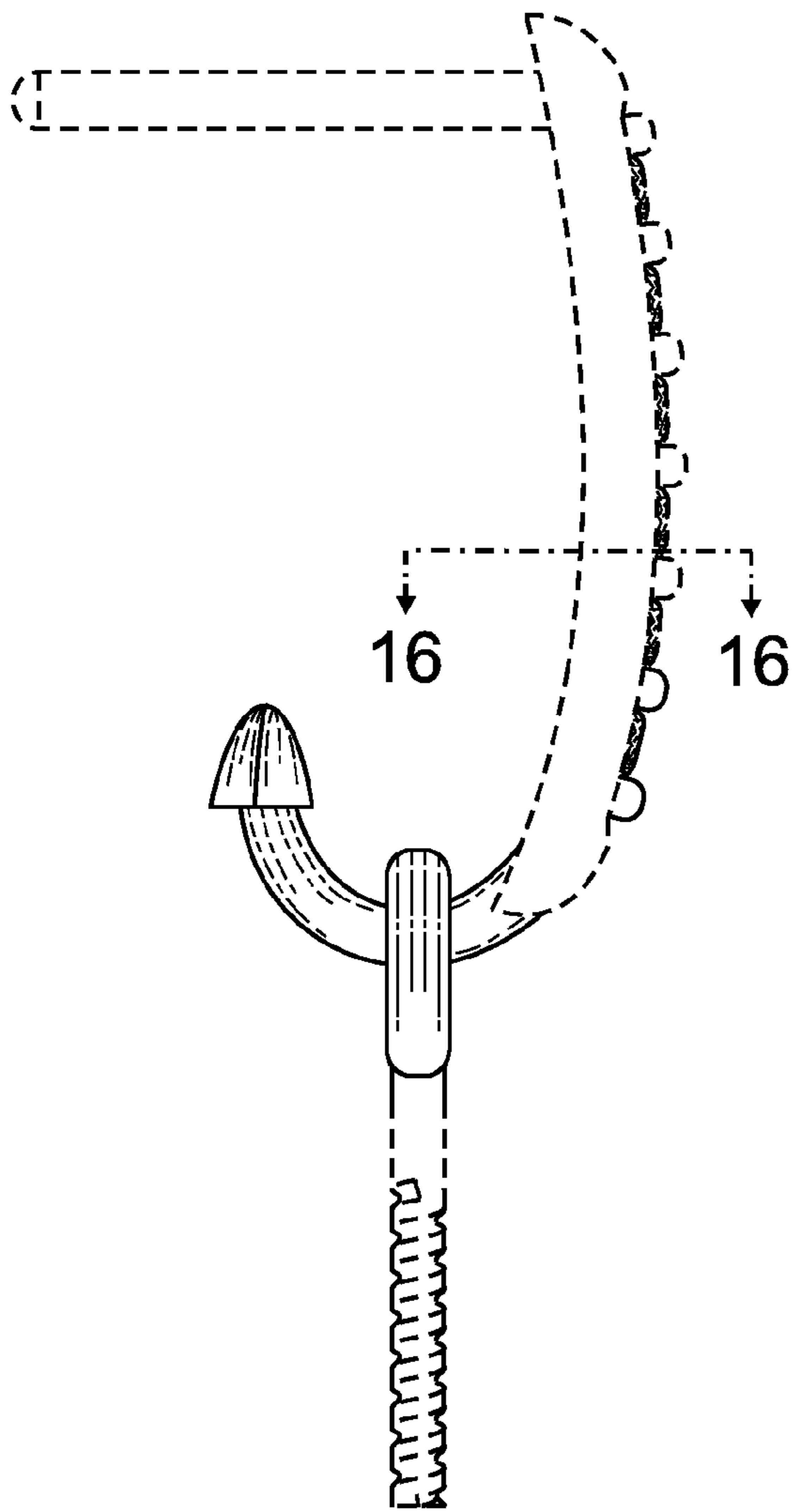


FIG. 12

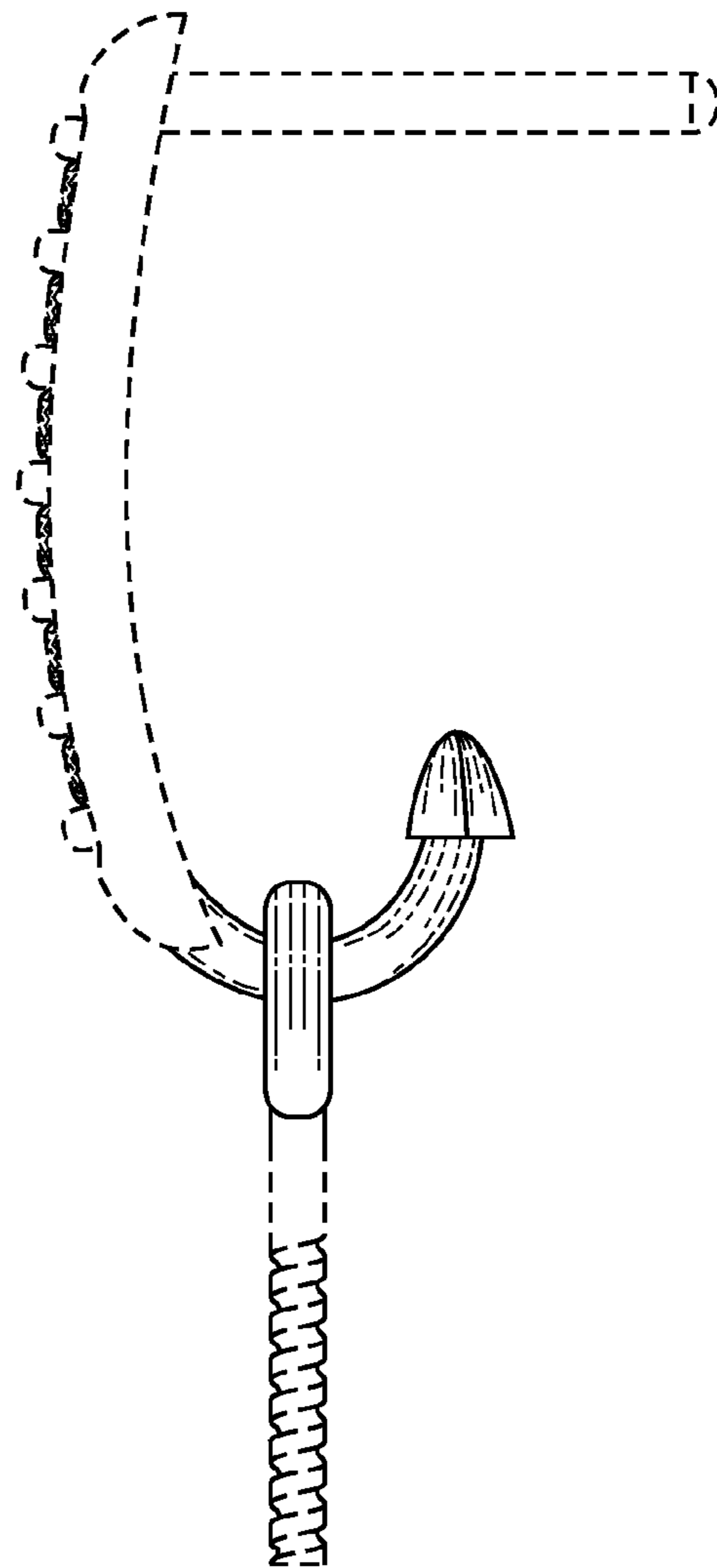


FIG. 13



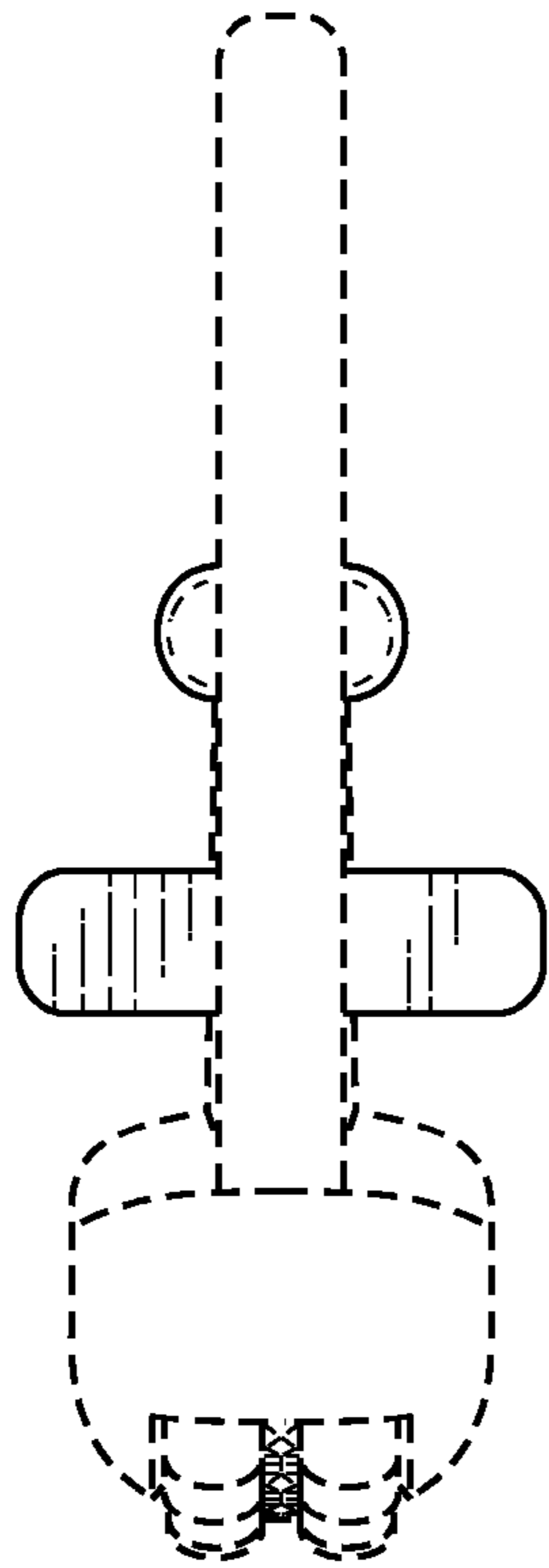


FIG. 14

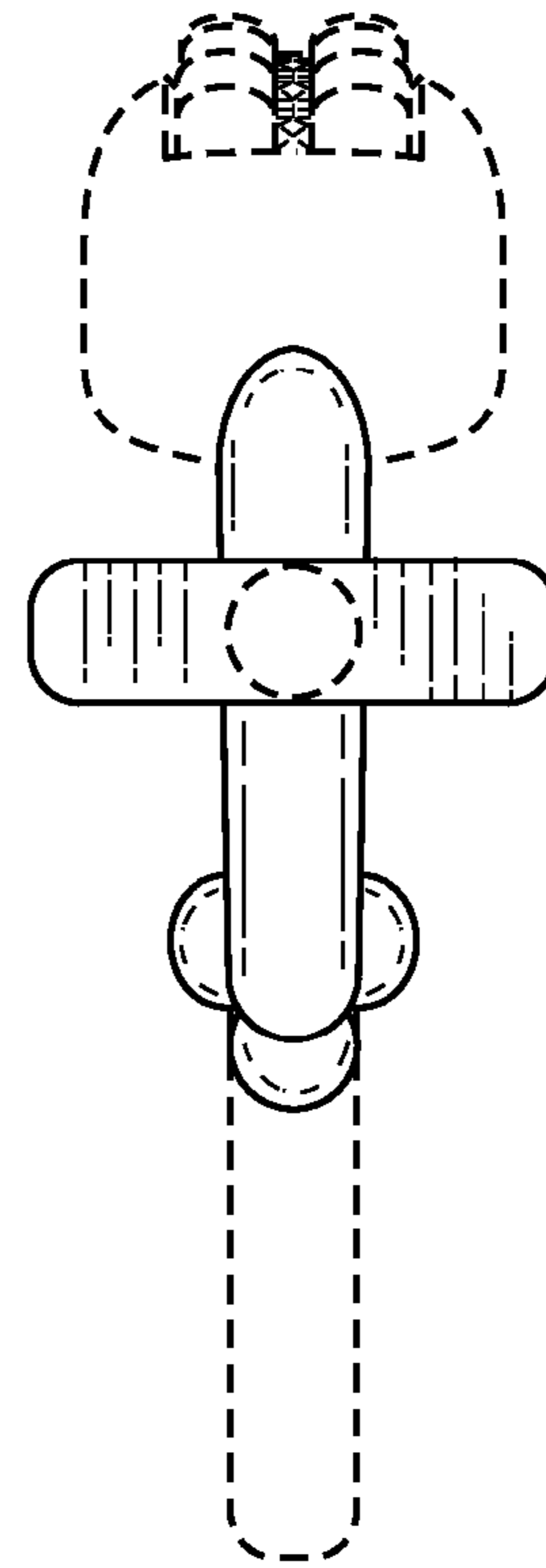


FIG. 15

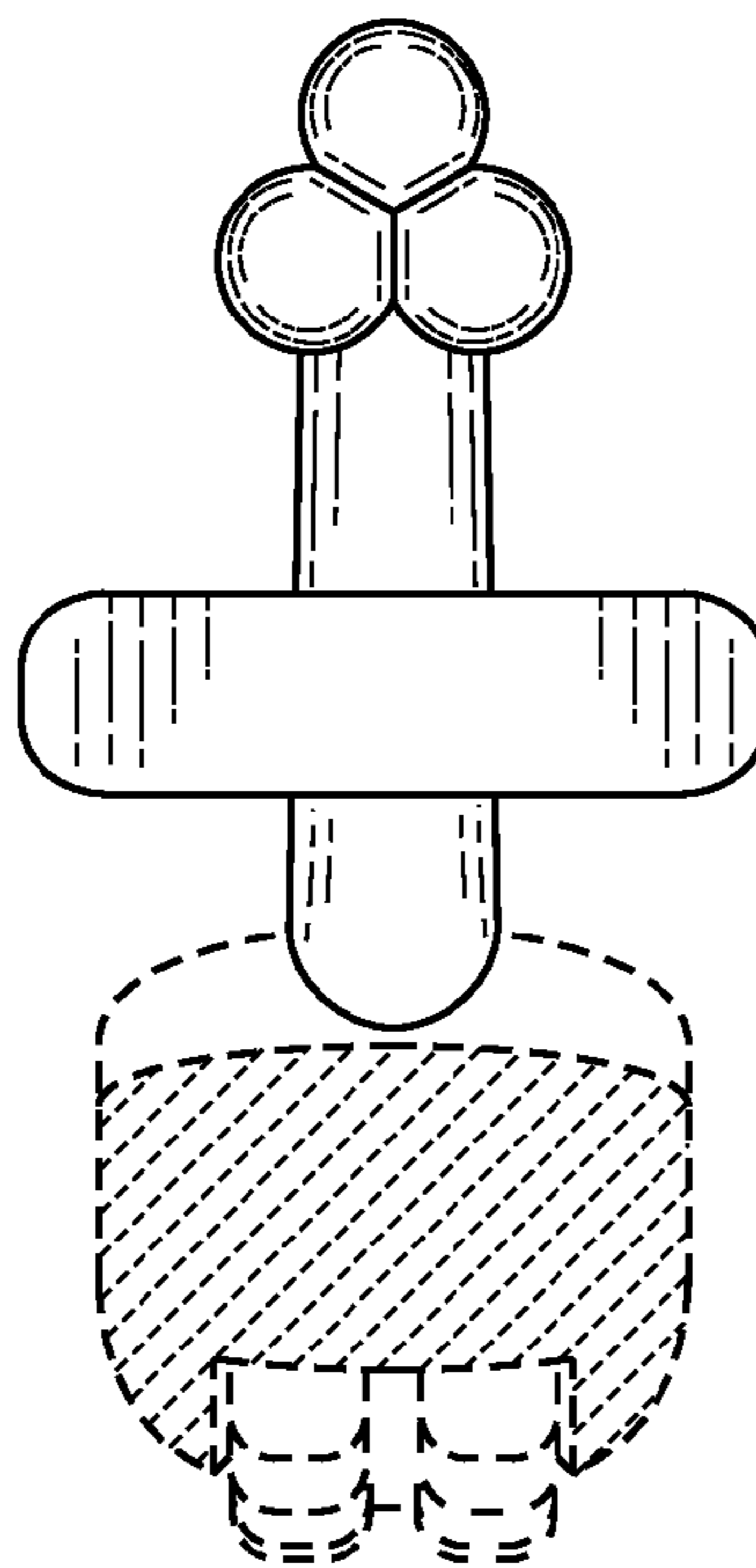


FIG. 16