



US00D655638S

(12) **United States Design Patent**
Thevenaz

(10) **Patent No.:** **US D655,638 S**
(45) **Date of Patent:** **** Mar. 13, 2012**

(54) **RING**
(75) Inventor: **Cristina Thevenaz**, Geneva (CH)
(73) Assignee: **Delaneau SA**, Genève (CH)
(**) Term: **14 Years**
(21) Appl. No.: **29/381,804**
(22) Filed: **Dec. 23, 2010**

D285,292 S * 8/1986 Bulgari D11/37
D360,162 S * 7/1995 Doherty D11/26
5,428,974 A * 7/1995 Shinohara 63/15
D419,102 S * 1/2000 Mestrum D11/26
D420,617 S * 2/2000 Mestrum D11/26
D421,405 S * 3/2000 Mestrum D11/26

* cited by examiner

Primary Examiner — Cathron Brooks
Assistant Examiner — Melanie Levy
(74) *Attorney, Agent, or Firm* — McGlew and Tuttle, P.C.

(30) **Foreign Application Priority Data**
Jun. 30, 2010 (WO) DM/073 863
(51) **LOC (9) Cl.** **11-01**
(52) **U.S. Cl.** **D11/26**
(58) **Field of Classification Search** D11/1-4,
D11/26-39; 63/15, 15.1, 15.2, 15.3, 15.4,
63/15.45, 15.5, 15.6, 15.65, 15.7, 26, 27,
63/12, 13
See application file for complete search history.

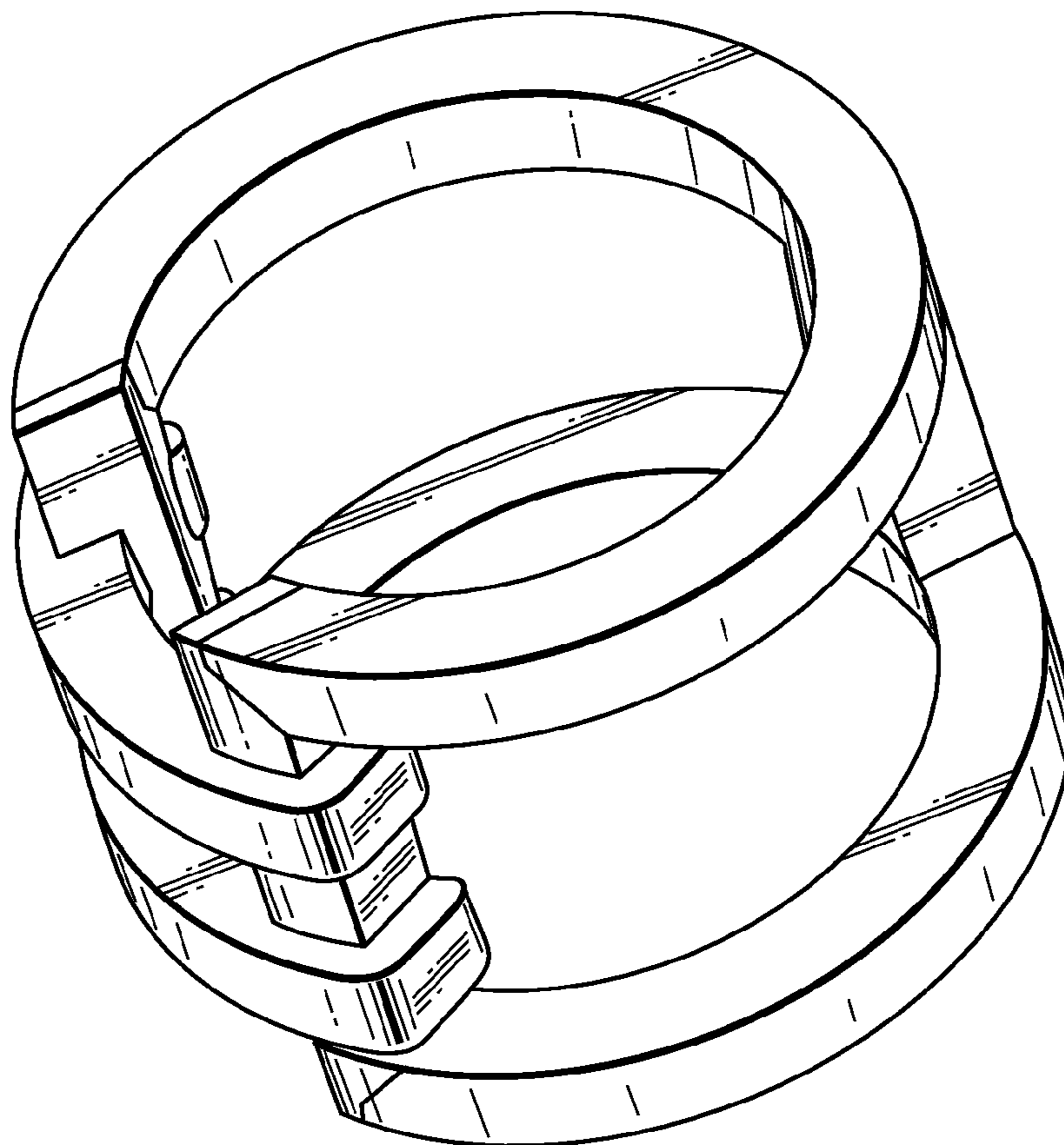
(57) **CLAIM**
The ornamental design for a ring, as shown and described.

(56) **References Cited**
U.S. PATENT DOCUMENTS
858,450 A * 7/1907 Greenbaum 63/15.2
D244,589 S * 6/1977 Rosenfeld D11/34

DESCRIPTION

FIG. 1 is a perspective view showing my new ring designs;
FIG. 2 is a right side view thereof;
FIG. 3 is a front elevational view thereof, the rear elevational
view being identical thereto;
FIG. 4 is front end view thereof (the rear end view being
substantially identical);
FIG. 5 is a top view thereof; and,
FIG. 6 is left side view thereof.

1 Claim, 6 Drawing Sheets



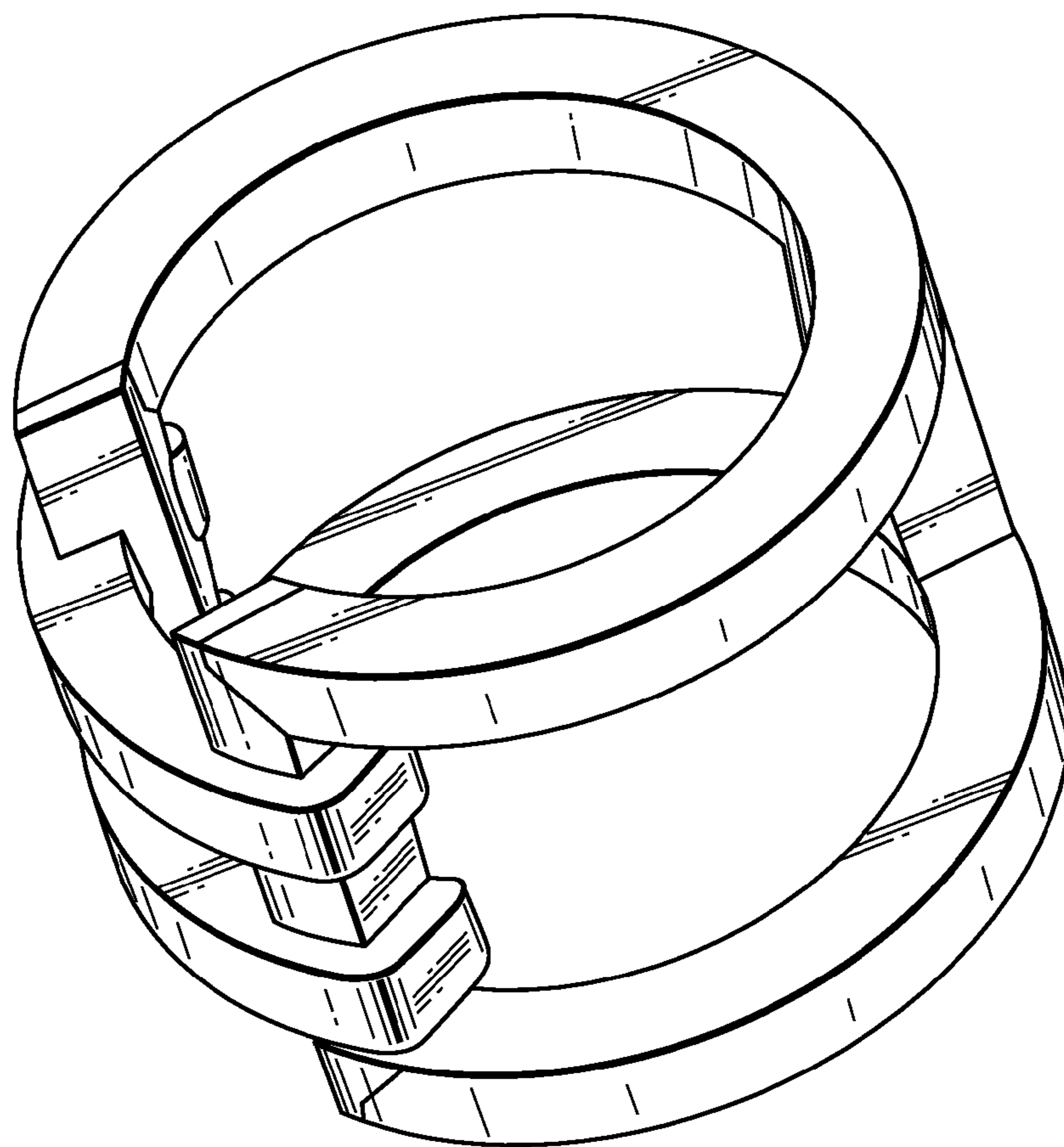


FIG. 1

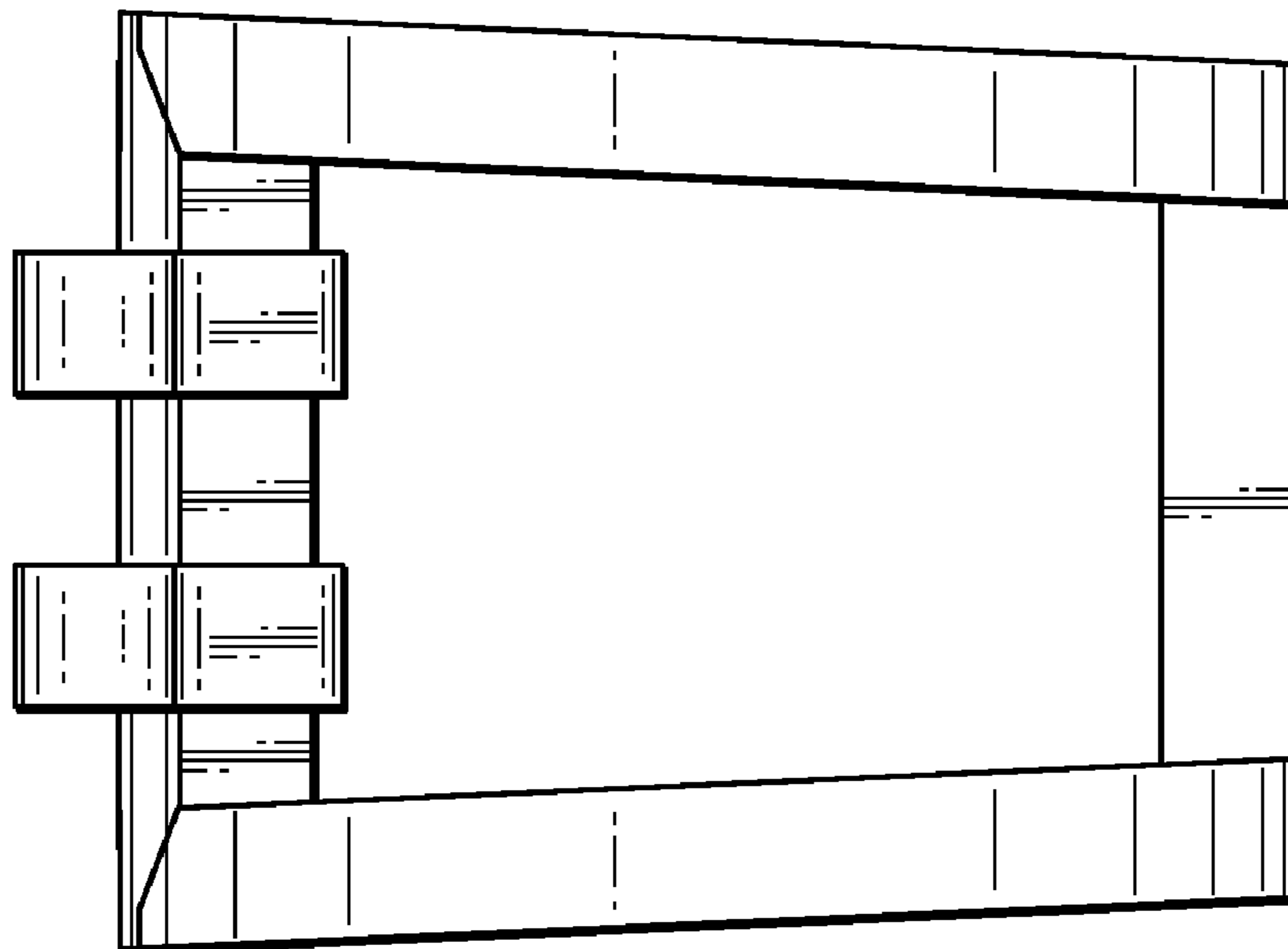


FIG. 2

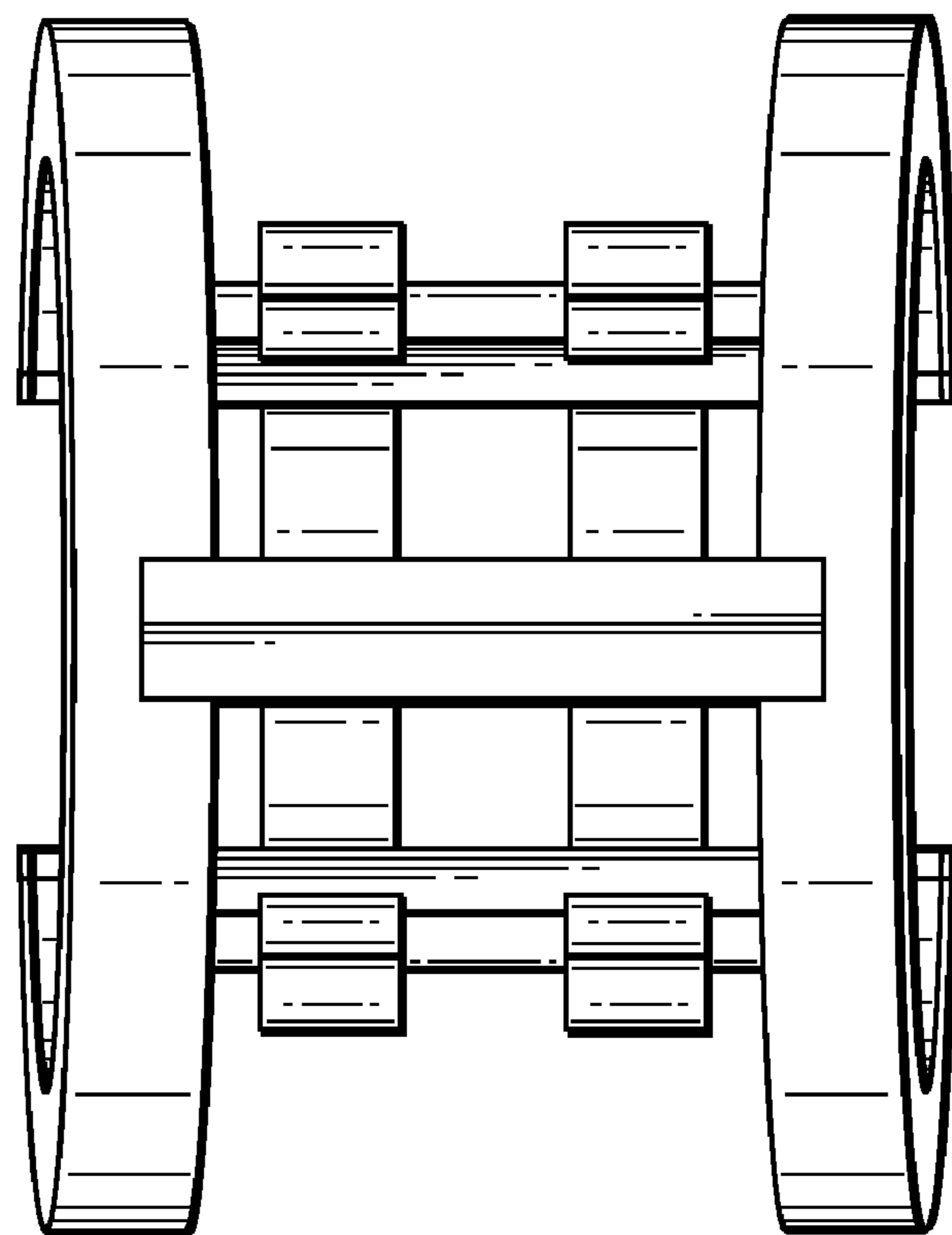


FIG. 3

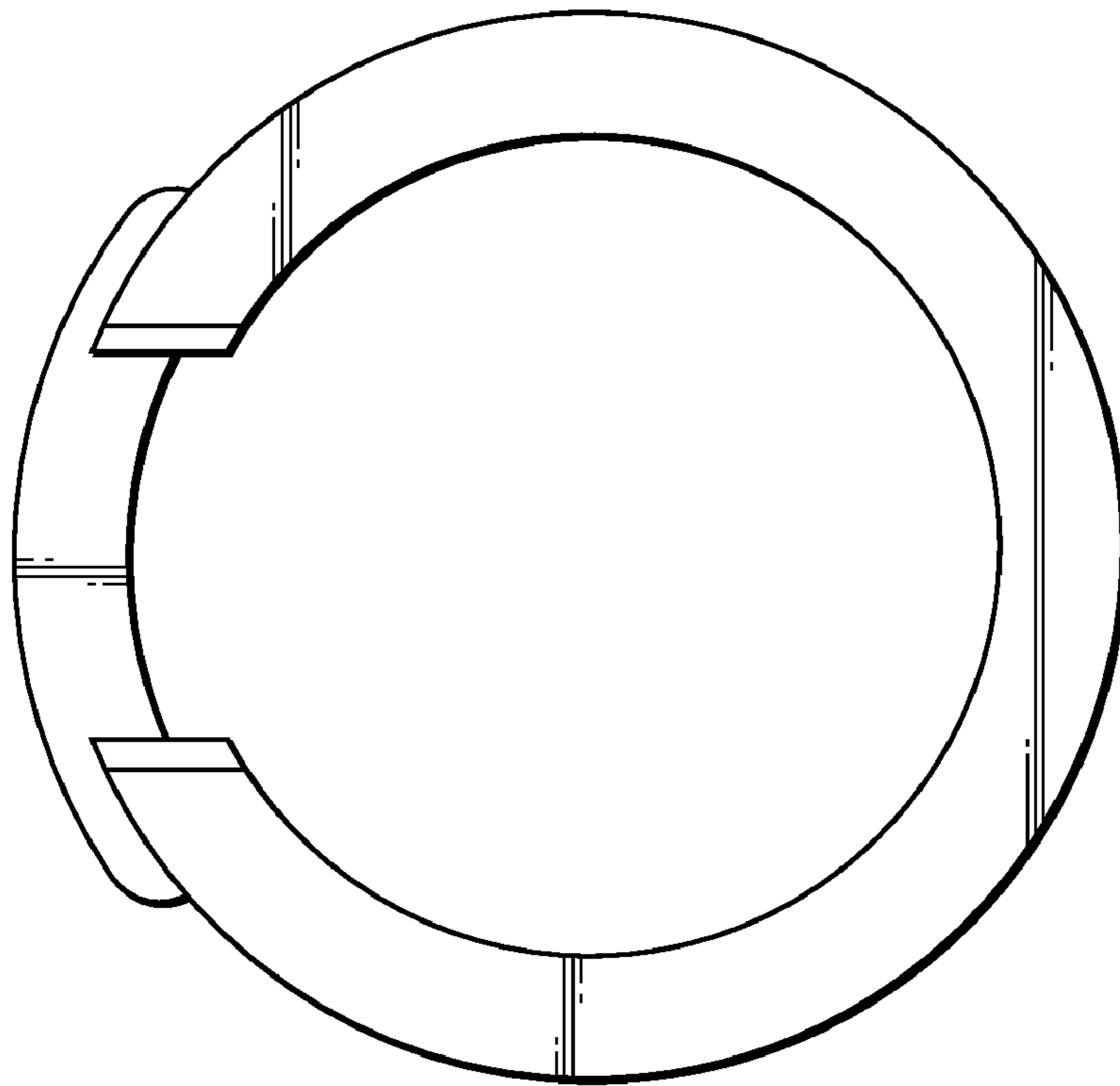


FIG. 4

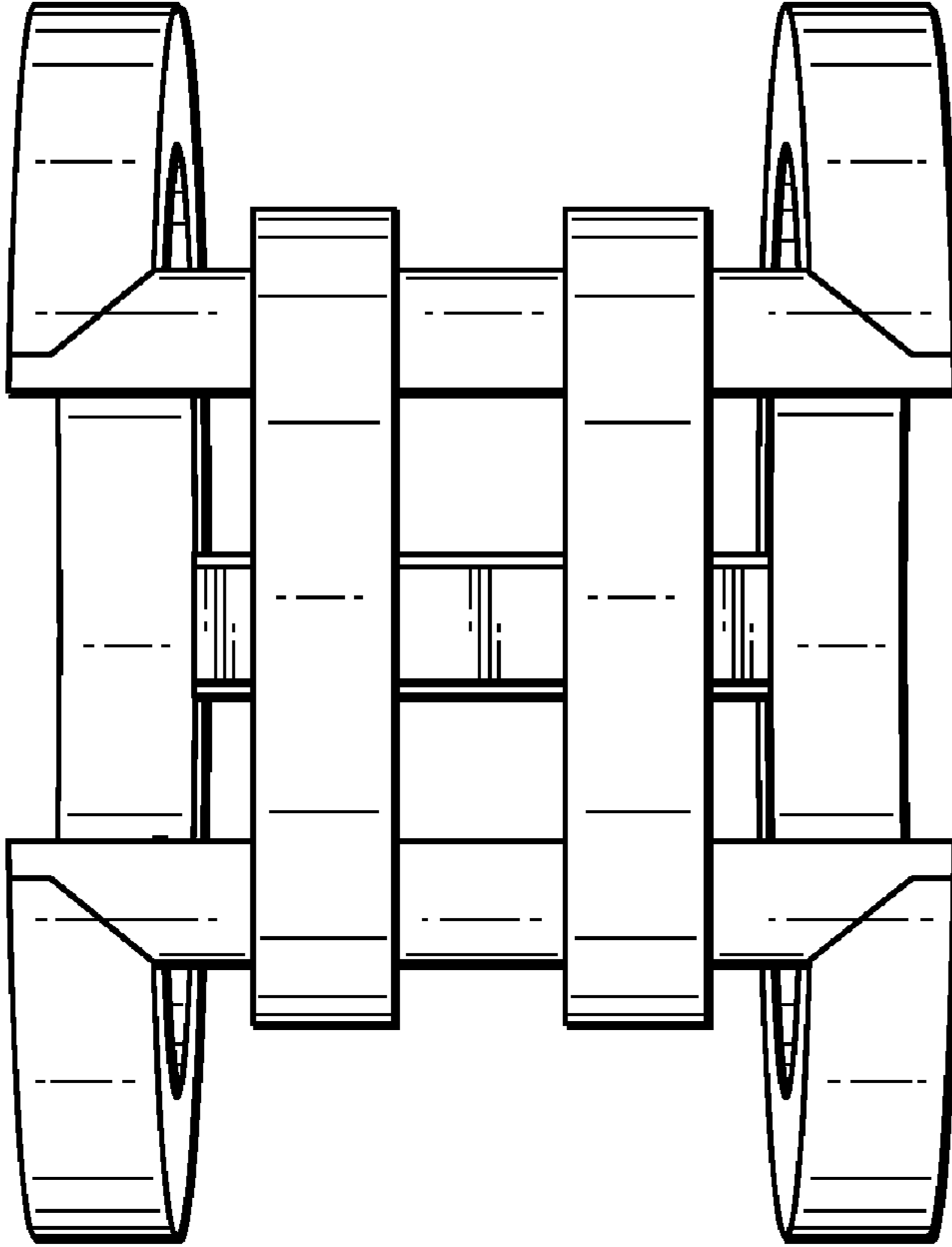


FIG. 5

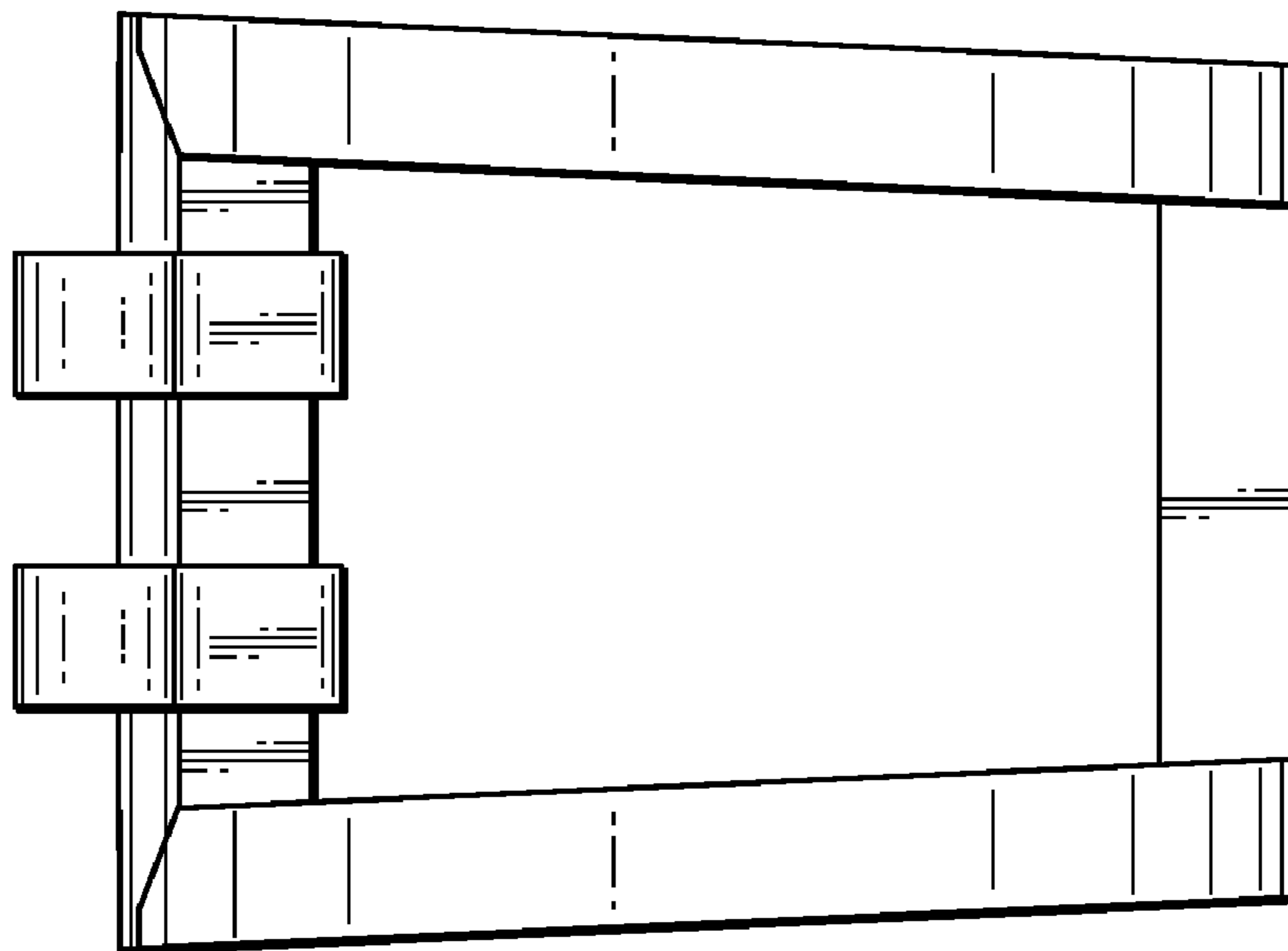


FIG. 6